



US00D365923S

United States Patent [19]
Crowley

[11] **Patent Number: Des. 365,923**
[45] **Date of Patent: **Jan. 9, 1996**

[54] **SHOE STRAP ELEMENT**
[75] Inventor: **Kevin J. Crowley**, Brentwood, N.H.
[73] Assignee: **FILA U.S.A., Inc.**, Hunt Valley, Md.
[**] Term: **14 Years**
[21] Appl. No.: **15,542**
[22] Filed: **Nov. 19, 1993**
[52] U.S. Cl. **D2/974**
[58] **Field of Search** D2/974, 915, 916,
D2/973, 976, 946, 970, 969, 902; 36/11.5,
89, 50.5, 113, 114, 116, 83, 84

797,966 8/1905 Lange et al. .
892,152 6/1908 Harman .
1,155,506 10/1915 Osaki .
1,588,360 6/1926 Hammerstrom .
1,861,299 5/1932 Bullock .
2,444,428 7/1948 Carrier .
2,563,763 8/1951 Vietas .
2,617,207 11/1952 Jennett .
2,789,374 4/1957 Planert .
2,918,734 12/1959 Hyde .
2,935,798 5/1960 Piberhofer .
3,407,450 10/1968 Baso .
3,408,752 11/1968 Lollmann .
3,977,098 8/1976 Chalmers .
4,136,468 1/1979 Munsch 36/97
4,282,659 8/1981 Bourque et al. 36/121
4,304,055 12/1981 Hanson 36/50
4,408,403 10/1983 Martin 36/115

[56] **References Cited**

U.S. PATENT DOCUMENTS

Re. 6,328 3/1875 Hersome .
D. 30,863 5/1899 Hodgson .
D. 53,233 4/1919 Benedetti .
145,801 12/1873 Hersome .
157,465 12/1874 Tebbetts .
159,135 1/1875 Young .
188,701 3/1877 Walker .
195,414 9/1877 Steinhauer .
211,162 1/1879 Kilsheimer .
289,812 12/1883 Daggett .
D. 295,229 4/1988 Brown et al. .
296,495 4/1884 Williamson .
D. 297,069 8/1988 Le D2/970
D. 304,877 12/1989 Miller D2/970
D. 311,634 10/1990 Quan .
D. 316,176 4/1991 Fischer .
D. 321,972 12/1991 Konarowski .
D. 322,879 1/1992 Hatfield .
D. 324,129 2/1992 Hatfield .
D. 327,565 7/1992 Graham .
D. 329,124 9/1992 Soo .
D. 337,424 7/1993 Hopkins .
D. 341,927 12/1993 Worthington D2/970
D. 342,604 12/1993 Avar D2/970
D. 343,502 1/1994 Cessor D2/970
D. 343,721 2/1994 Van Dyke D2/912
D. 345,244 3/1994 Smith D2/970
D. 345,248 3/1994 Teague D2/970
459,616 9/1891 Rohonczy .
703,828 7/1902 Read .

(List continued on next page.)

FOREIGN PATENT DOCUMENTS

2162043A 1/1986 United Kingdom .

OTHER PUBLICATIONS

Derwent Abstract of DE 4,038,975; 1991.

Primary Examiner—Doris V. Coles
Attorney, Agent, or Firm—Davis Hoxie Faithfull & Hapgood

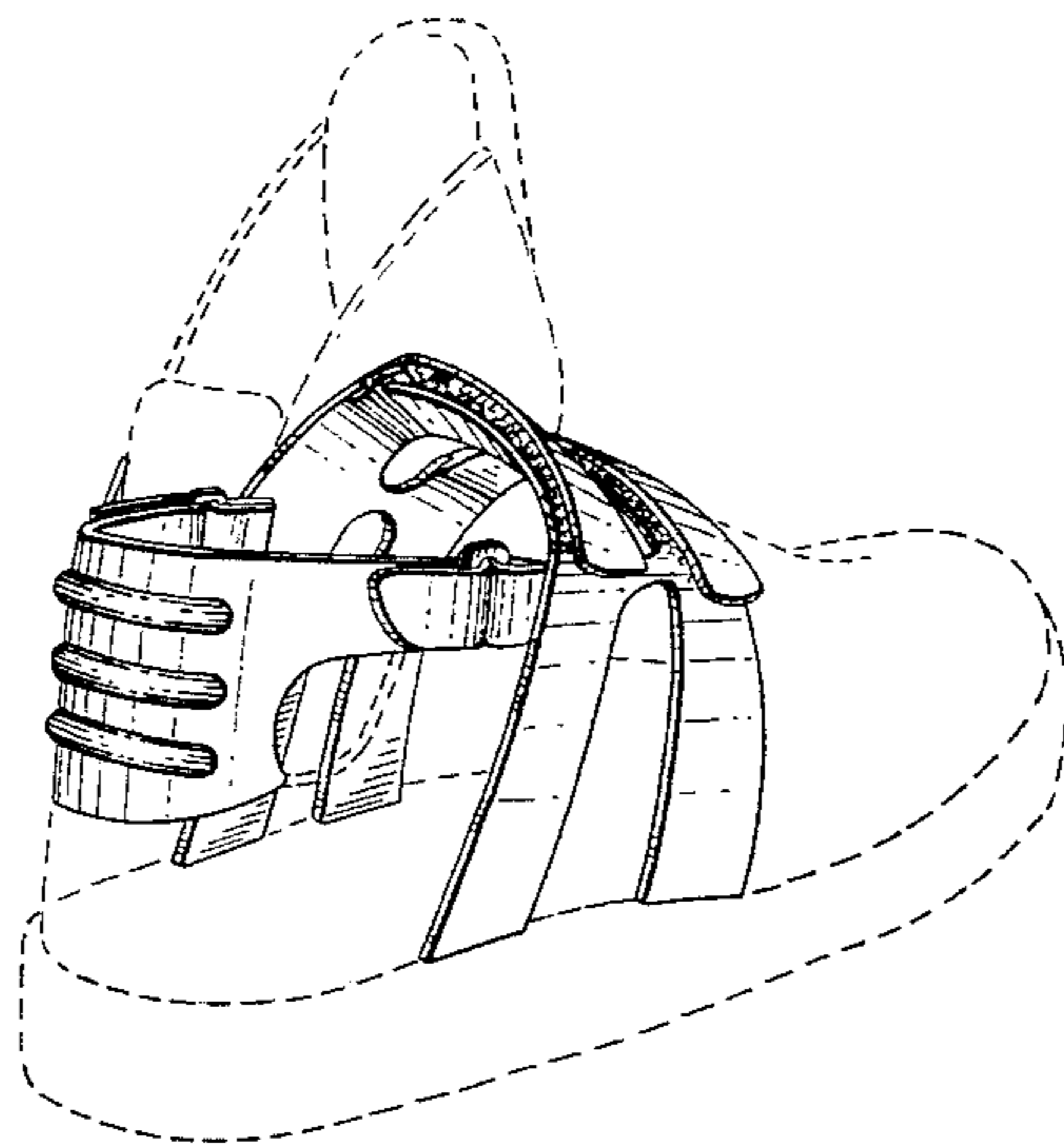
[57] **CLAIM**

The ornamental design for a shoe strap element, as shown and described.

DESCRIPTION

FIG. 1 is a rear perspective view of a shoe strap element showing my new design;
FIG. 2 is a front view thereof;
FIG. 3 is a top view thereof;
FIG. 4 is a left side view thereof;
FIG. 5 is a rear side view thereof; and,
FIG. 6 is a bottom side view thereof.
The broken line showing of a shoe upper and sole in the figures is for illustrative purposes only and forms no part of the claimed design.

1 Claim, 3 Drawing Sheets



U.S. PATENT DOCUMENTS

4,547,981	10/1985	Thais et al.	36/89	4,922,630	5/1990	Robinson	36/89
4,575,956	3/1986	Paris	36/119	4,958,448	9/1990	Wenzel	36/119
4,577,419	3/1986	Chassaing	36/89	4,972,613	11/1990	Loveder	36/105
4,587,747	5/1986	Courvoisier et al.	36/117	5,117,568	6/1992	Mitsui	36/54
4,685,226	8/1987	Olivieri et al.	36/120	5,152,084	10/1992	Bonnaventure	36/117
4,761,898	8/1988	Courvoisier et al.	36/50	5,175,947	1/1993	Parracho	36/89
4,776,111	10/1988	Crowley	36/89	5,243,772	9/1993	Francis et al.	36/114
4,800,659	1/1989	Marega	36/119	5,274,932	1/1994	Malloy	36/114
4,811,498	3/1989	Barret	36/117	5,276,983	1/1994	Hatfield	36/138
				5,291,671	3/1994	Caberlotto et al.	36/88

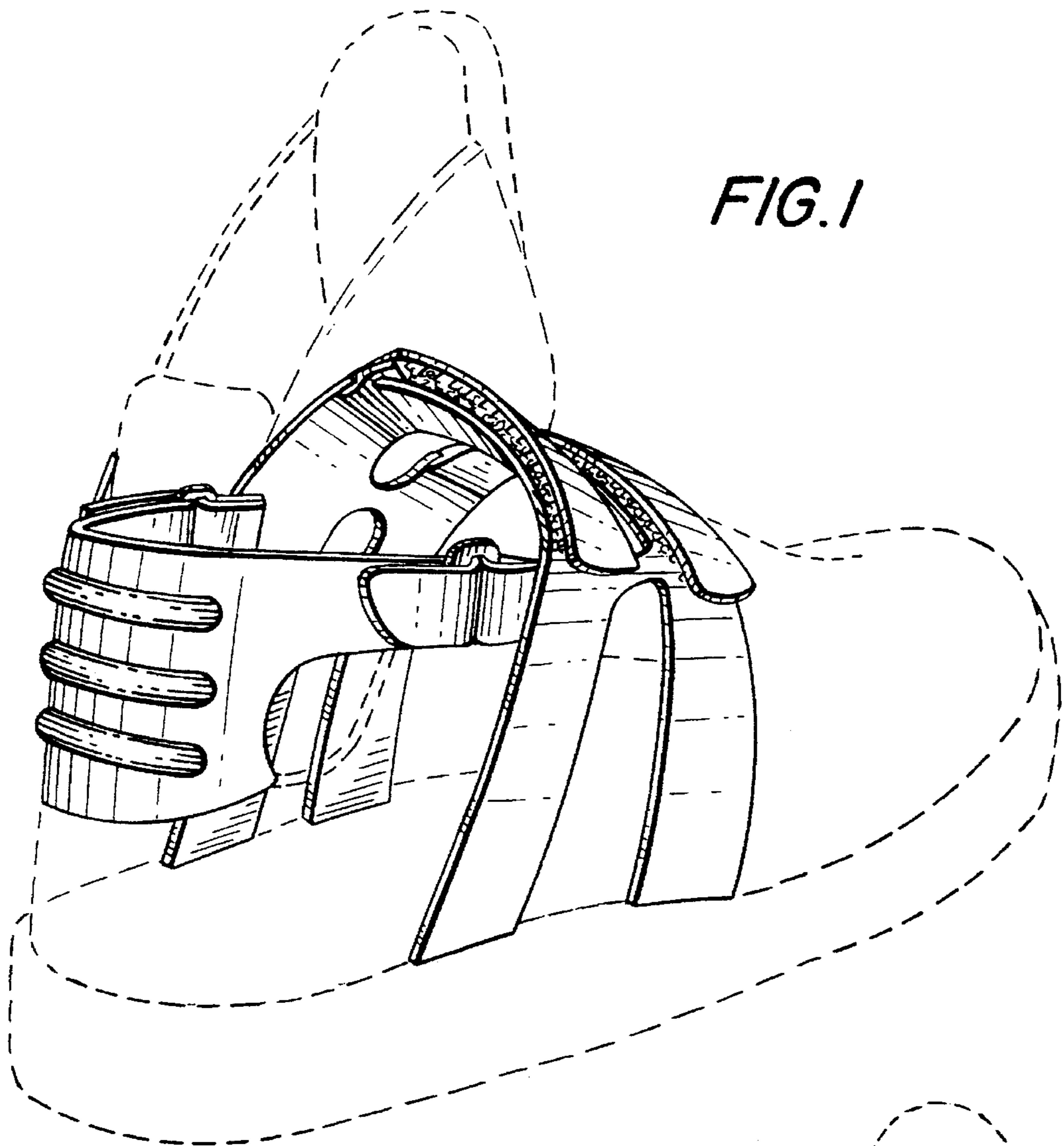


FIG. 1

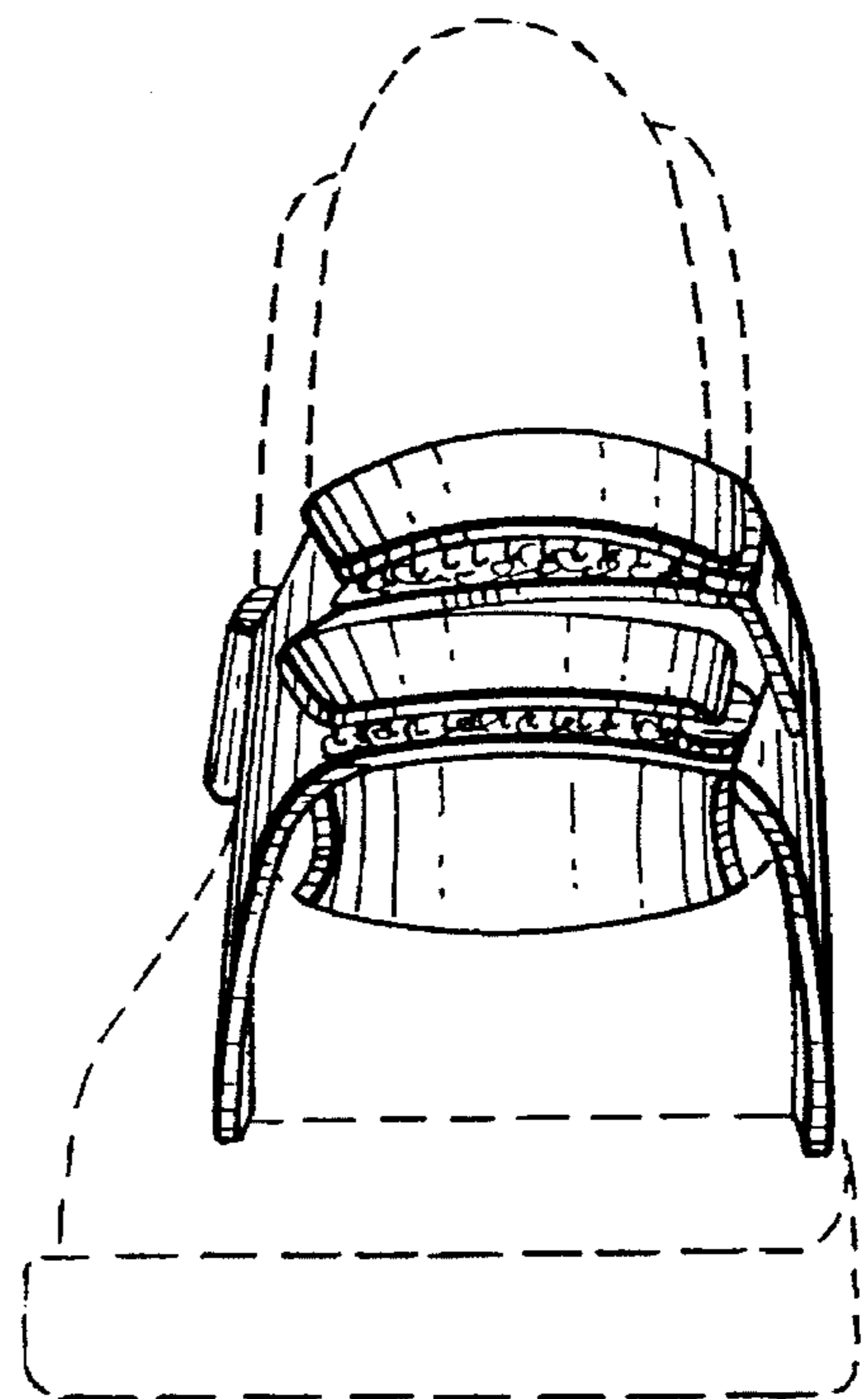


FIG. 2

FIG. 3

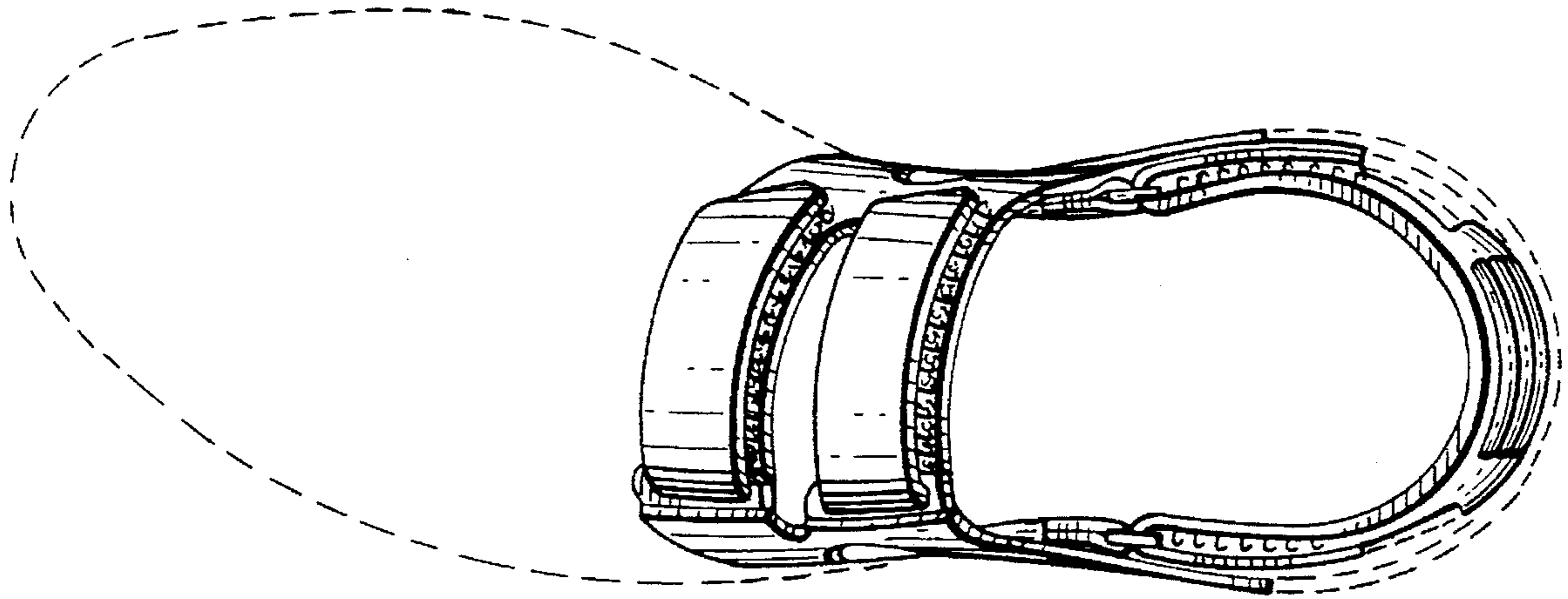


FIG. 4

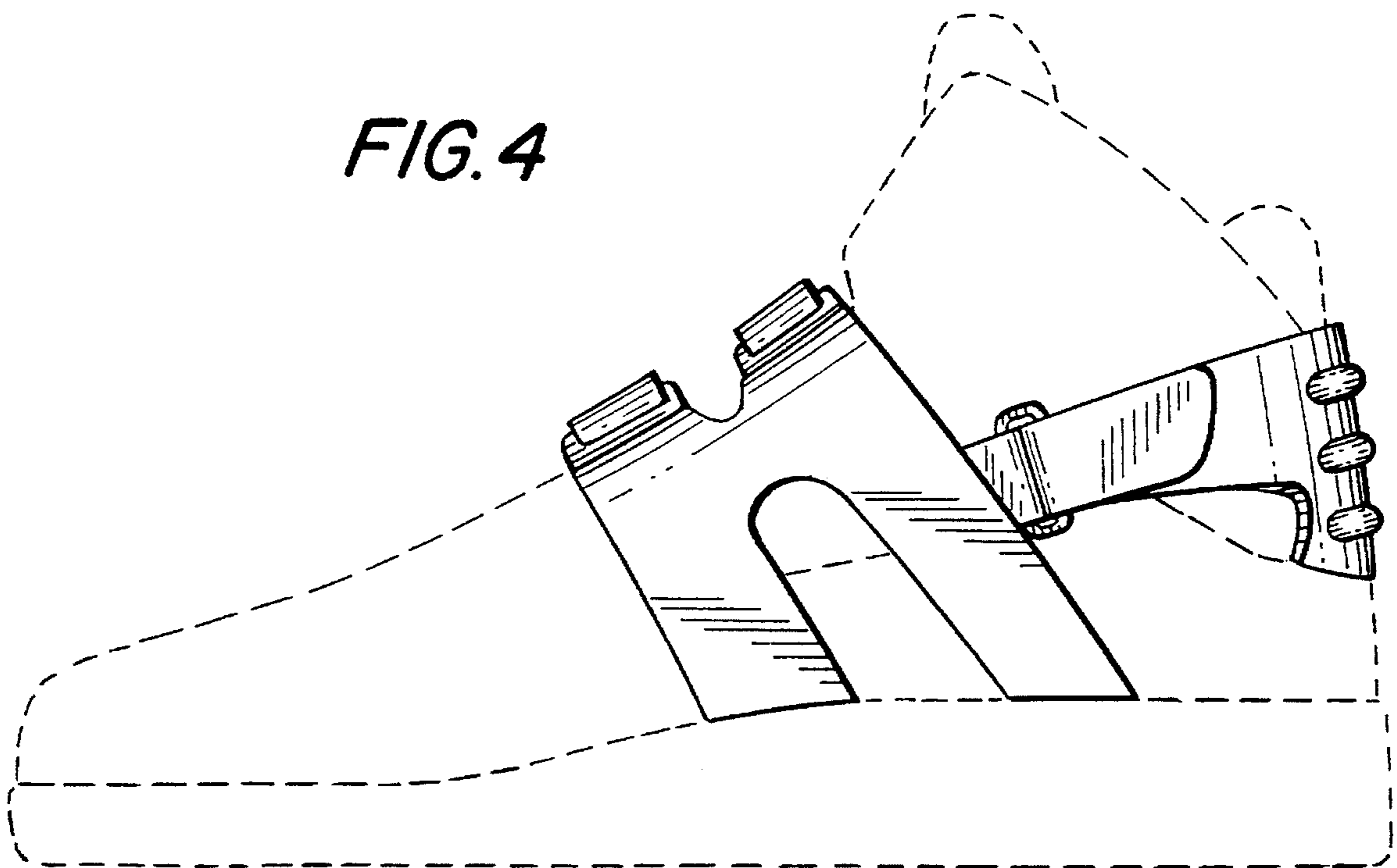


FIG.5

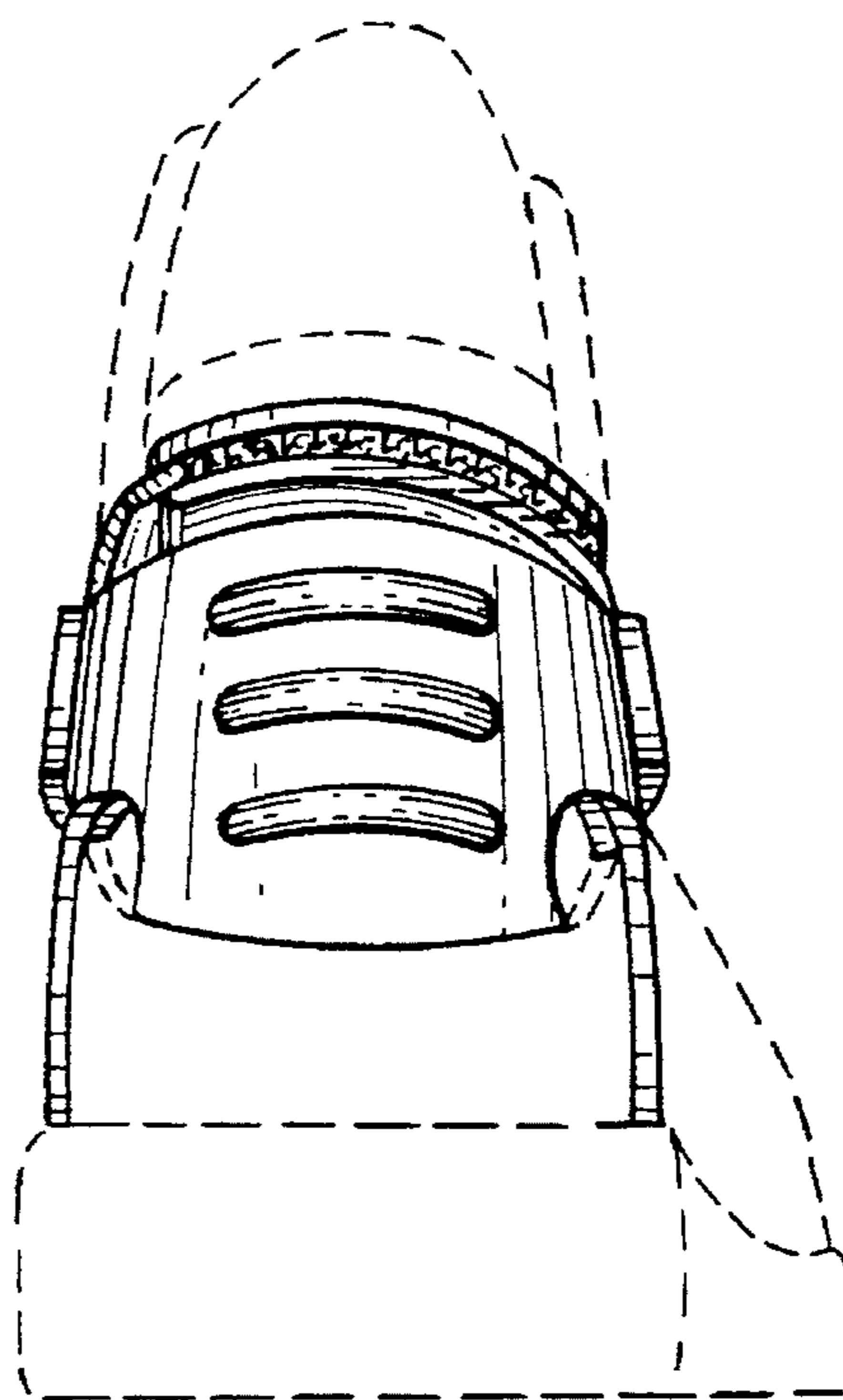


FIG.6

