



US00D365913S

United States Patent [19]

[11] Patent Number: **Des. 365,913**

Ballard

[45] Date of Patent: ****Jan. 9, 1996**

[54] **TOOL FOR USE IN THE DONNING AND REMOVAL OF SHOES AND SOCKS**

4,942,988 7/1990 Doorenbos 223/111

FOREIGN PATENT DOCUMENTS

[76] Inventor: **Thomas B. Ballard**, 25550 Mulberry Dr., Southfield, Mich. 48034

679744 9/1952 United Kingdom 223/113

[**] Term: **14 Years**

Primary Examiner—Ted Shooman

Assistant Examiner—Richelle Shelton

Attorney, Agent, or Firm—Gifford, Krass, Groh, Sprinkle, Patmore, Anderson & Citkowski

[21] Appl. No.: **31,692**

[22] Filed: **Dec. 2, 1994**

[57] CLAIM

[52] U.S. Cl. **D2/641**

[58] Field of Search D8/14; D2/641, D2/642; 223/111-113; 294/19.1

The ornamental design for a tool for use in the donning and removal of shoes and socks, as shown and described.

DESCRIPTION

[56] References Cited

U.S. PATENT DOCUMENTS

D. 337,881	8/1993	Peeler	D2/641
881,163	3/1908	Spiess	223/111
3,227,335	1/1966	Minnema et al.	223/111
3,883,052	5/1975	Wilson	223/111
4,066,194	1/1978	Leland	223/111
4,072,255	2/1978	Bogorad	223/111
4,238,061	12/1980	Marchetti et al.	223/111
4,260,083	4/1981	Aslin	223/111
4,284,216	8/1981	Leland	223/111
4,516,704	5/1985	Hagman	223/111
4,637,532	1/1987	Doorenbos	223/111
4,756,453	7/1988	Pettit et al.	223/111
4,858,795	8/1989	Selinko	223/111

FIG. 1 is a front perspective view of a tool for use in the donning and removal of shoes and socks showing my new design;

FIG. 2 is a top plan view thereof;

FIG. 3 is a bottom plan view thereof;

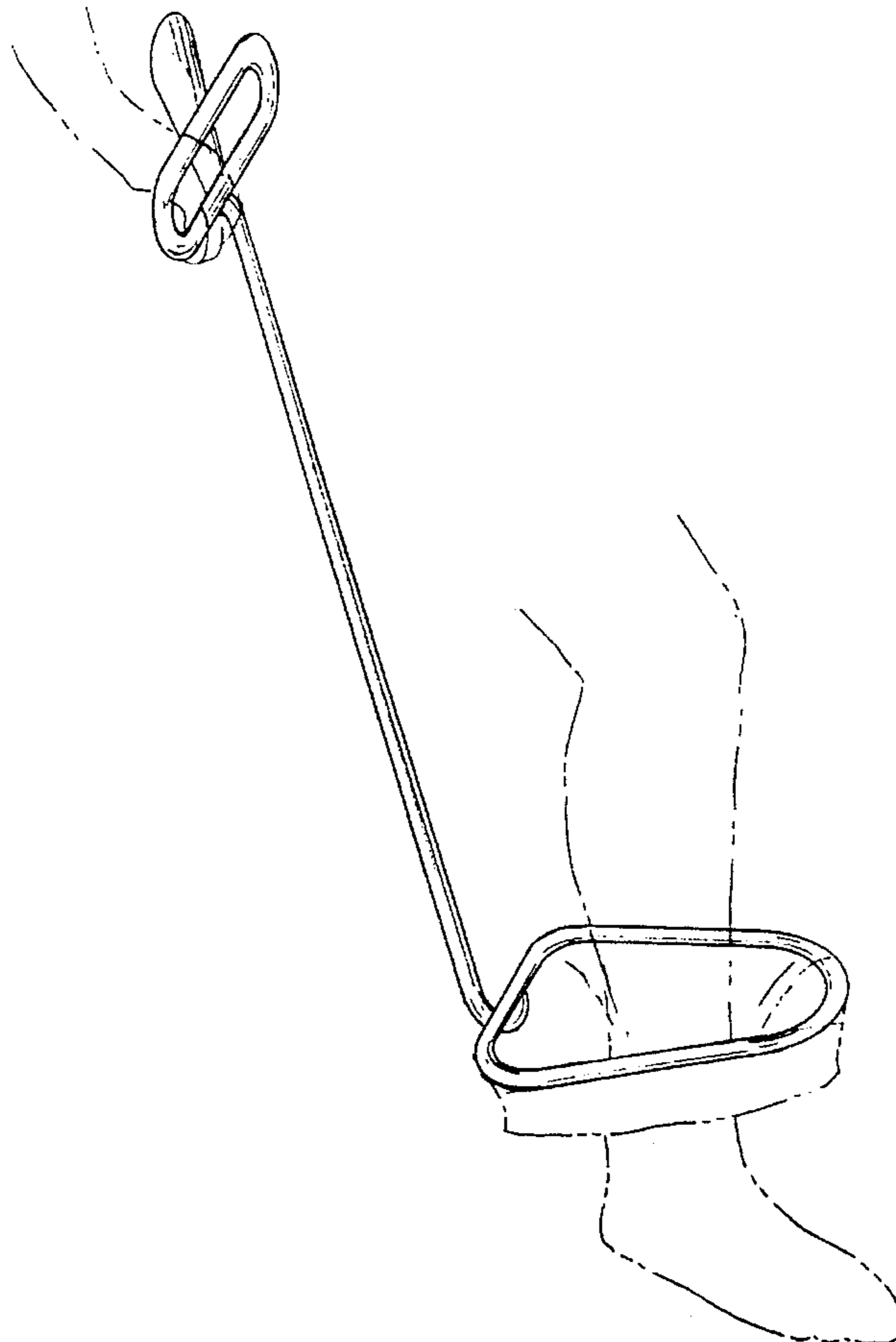
FIG. 4 is a side elevation view thereof, the opposite side elevation view being a mirror image;

FIG. 5 is a front elevation view thereof; and,

FIG. 6 is a rear elevation view thereof.

The broken line showing of the environmental structure of a person donning socks in FIG. 1 is for illustrative purposes only and forms no part of the claimed design.

1 Claim, 2 Drawing Sheets



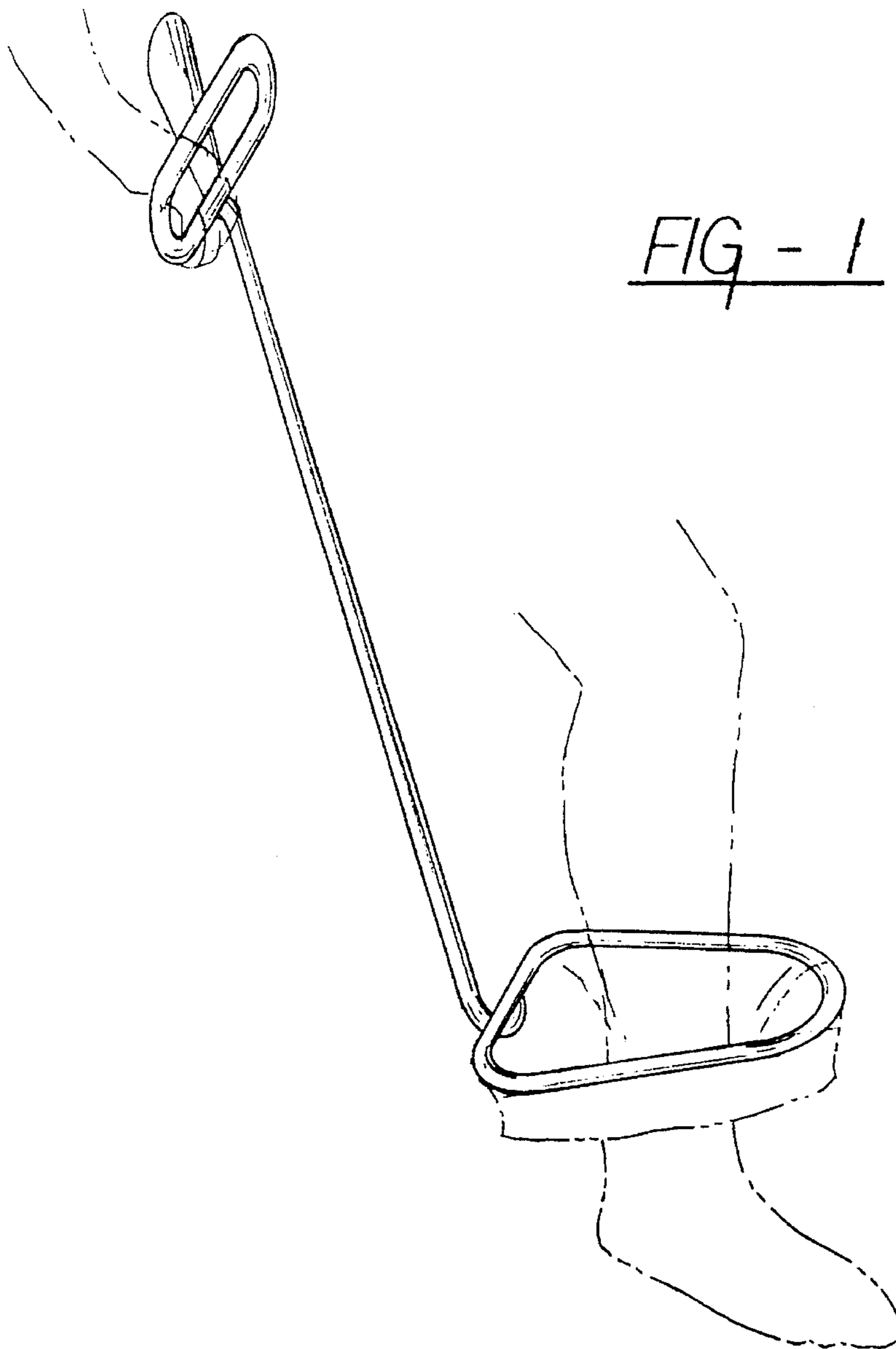


FIG - 2

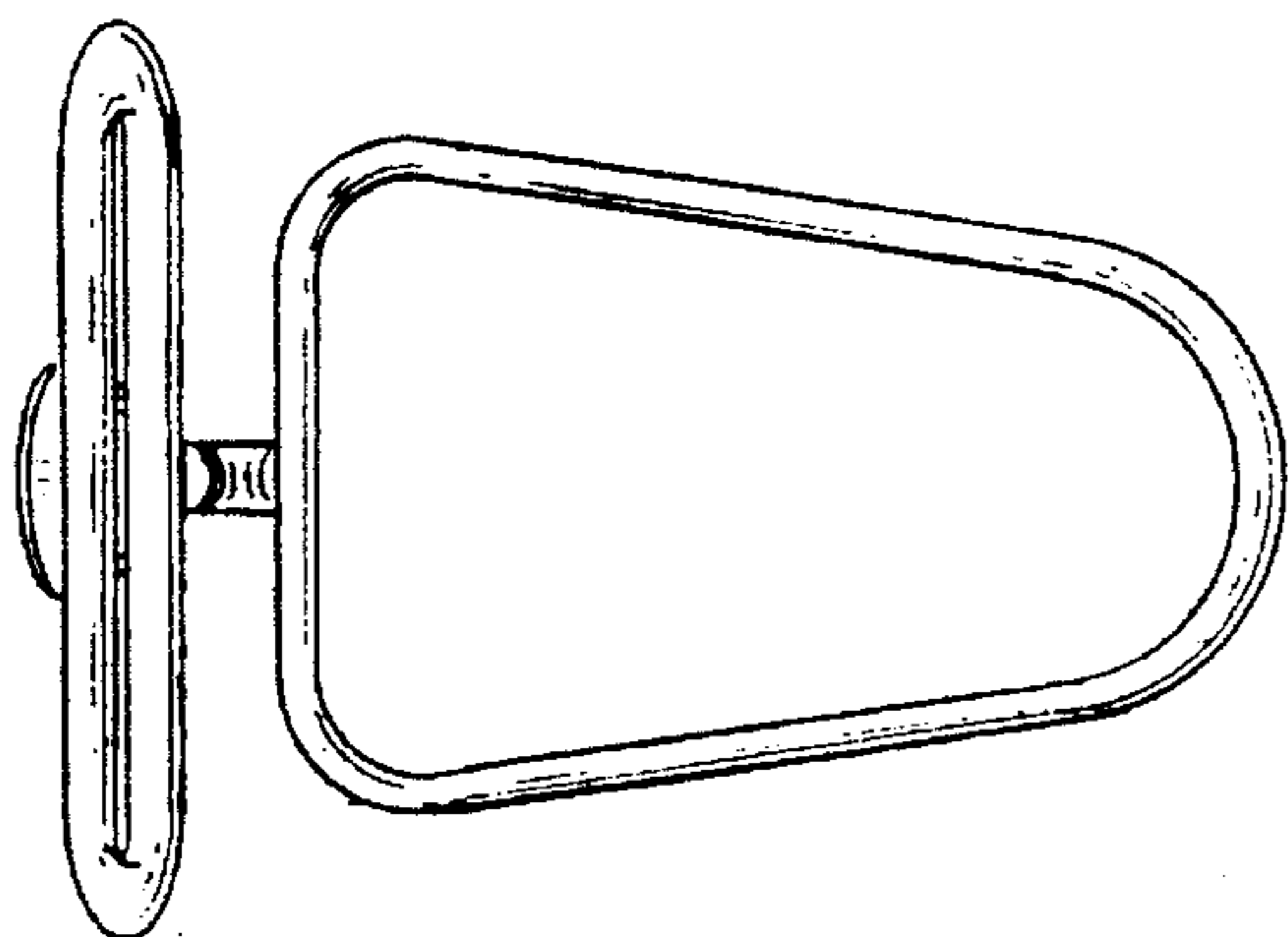


FIG - 3

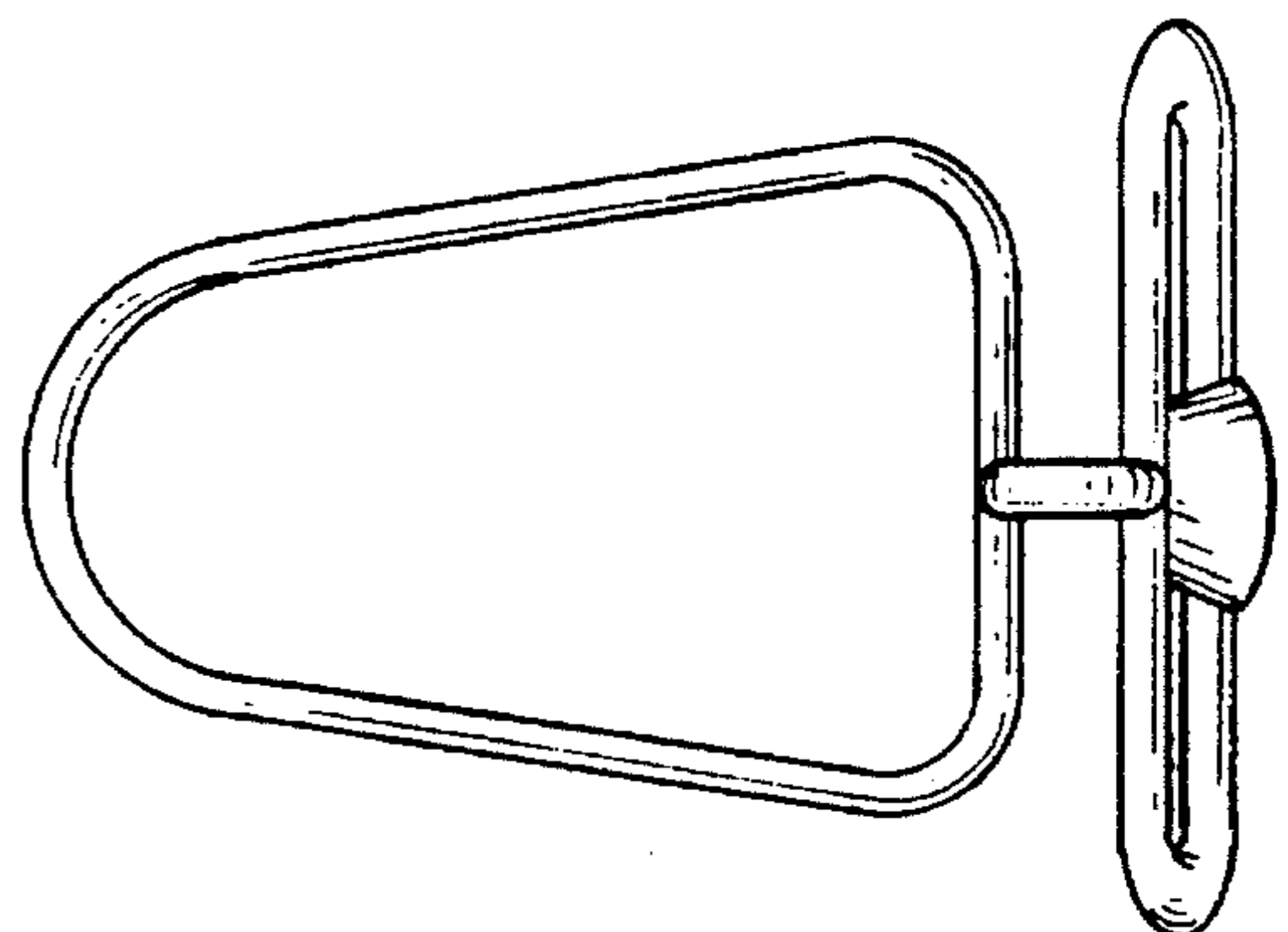


FIG - 4

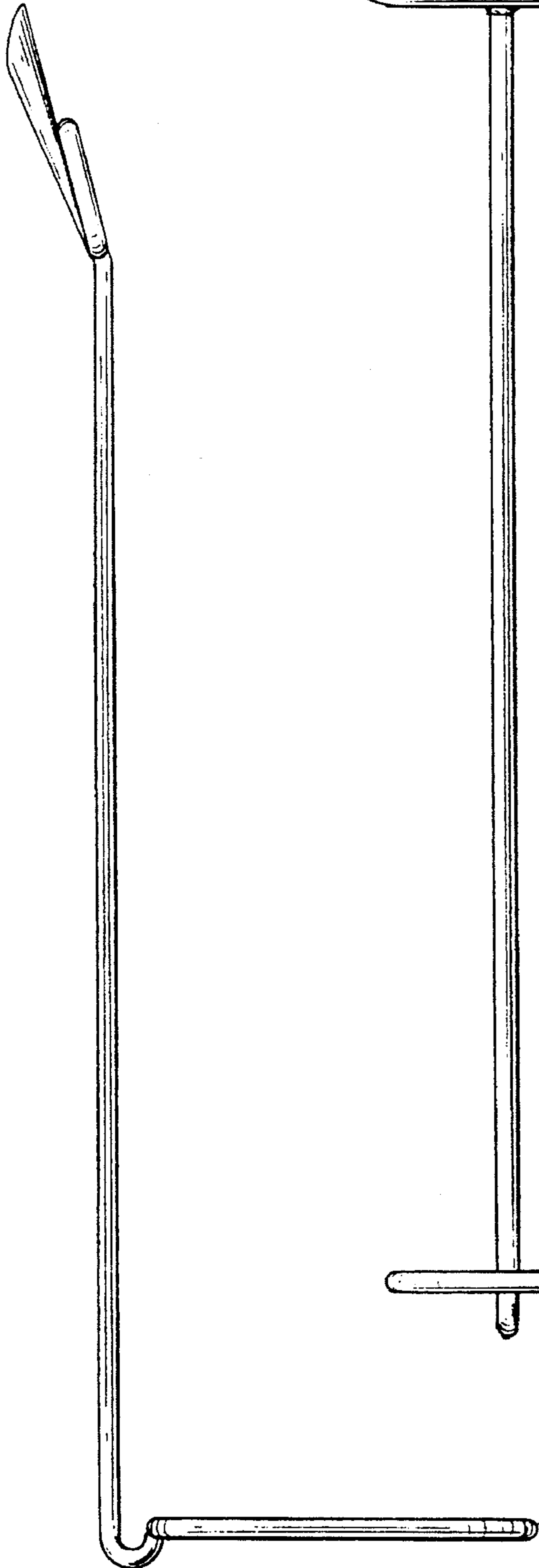


FIG - 5

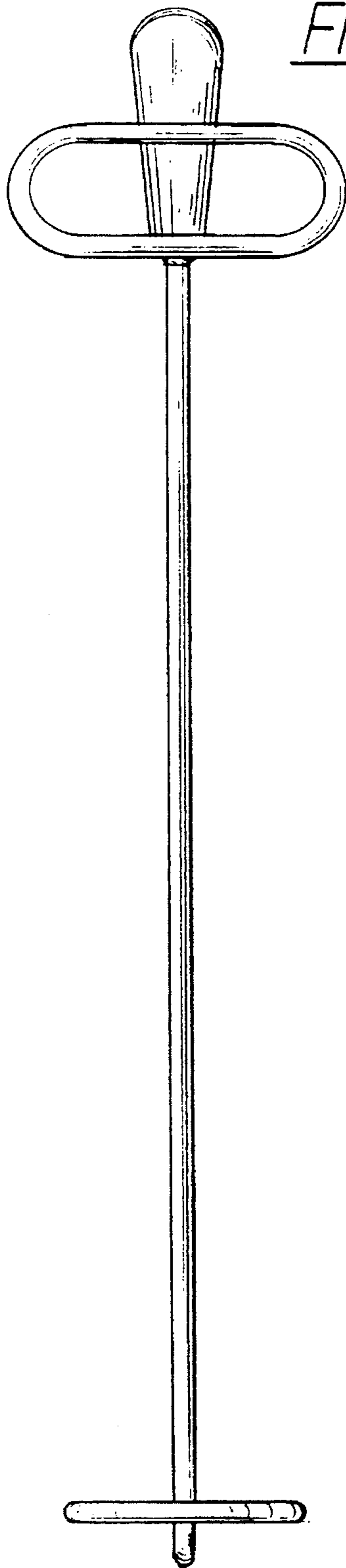


FIG - 6

