



US00D365911S

United States Patent [19]

[11] Patent Number: **Des. 365,911**

Cassetti et al.

[45] Date of Patent: ****Jan. 9, 1996**

[54] COMBINED ICE CUBE AND CONTAINER THEREFOR

[76] Inventors: **Robert J. Cassetti**, 28 Pilgrim Dr., Port Jefferson, N.Y. 11777; **James J. von Oiste, Jr.**, 101 Sylvan Ave., Miller Place, N.Y. 11764

[**] Term: **14 Years**

[21] Appl. No.: **25,109**

[22] Filed: **Jun. 27, 1994**

[52] U.S. Cl. **D1/106; D24/102; D15/90**

[58] Field of Search D1/106, 121, 124, D1/127, 128, 129, 130, 199; 426/104; D21/203, 51, 53, 7; D24/101, 102, 103; D15/89, 90

[56] References Cited

U.S. PATENT DOCUMENTS

D. 26,915	4/1897	Wezel	D1/120
D. 35,087	9/1901	Foringer	D24/101 X
D. 158,935	6/1950	Correale	D21/434
D. 242,372	11/1976	Marcuci	D21/203
D. 269,718	7/1983	Tovey	D24/101
D. 274,846	7/1984	Eoga	D24/101
D. 304,244	10/1989	Tovey	D24/101
1,923,522	8/1933	Whitehouse	D15/90 X
2,704,211	3/1955	Decepoli	D21/203 X
3,726,526	4/1973	Radovich	D21/203 X

OTHER PUBLICATIONS

Sportcraft, 1968 p. 27 Shuffleboard disks.

Primary Examiner—A. Hugo Word

Assistant Examiner—Pamela Burgess

Attorney, Agent, or Firm—Cornell D. M. J. Cornish

[57] CLAIM

The ornamental design for a combined ice cube and container therefor, as shown and described.

DESCRIPTION

FIG. 1 is a top plan view of a combined ice cube and container therefor showing my new design;

FIG. 2 is a bottom plan view thereof;

FIG. 3 is a side elevational view thereof, it being understood that all other undisclosed sides are the same;

FIG. 4 is a top perspective view of the top half of the container as shown in FIG. 3;

FIG. 5 is a top perspective view of the bottom half of the container as shown in FIG. 3;

FIG. 6 is an exploded cross-sectional view thereof, taken along line 6—6 in FIG. 3, with the ice cube removed;

FIG. 7 is a cross-sectional view thereof, taken along line 6—6 in FIG. 3; and,

FIG. 8 is a top perspective view of the ice cube shown in FIG. 1 with the container removed, the undisclosed bottom being a mirror image and all other undisclosed sides are the same.

1 Claim, 1 Drawing Sheet

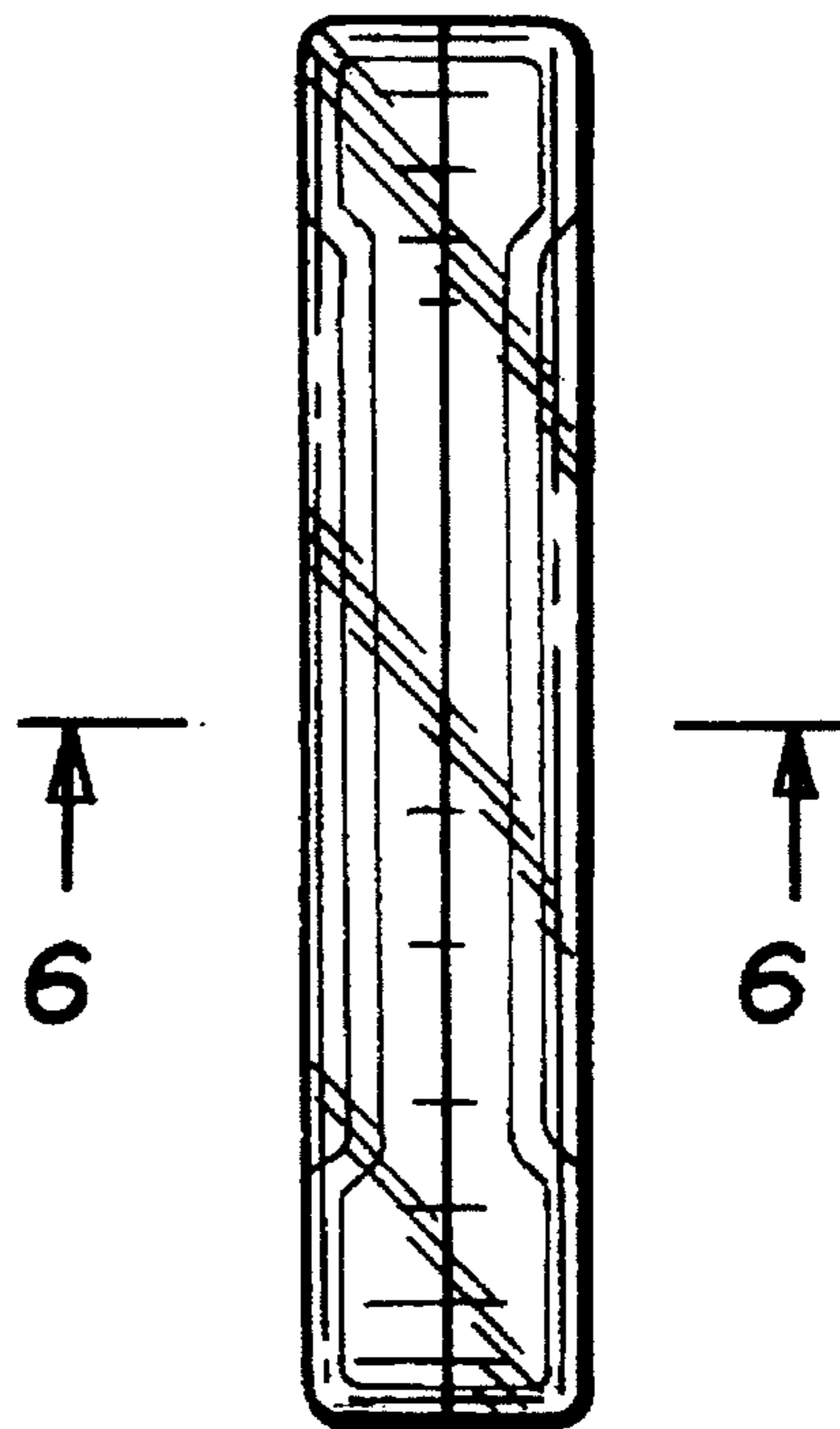
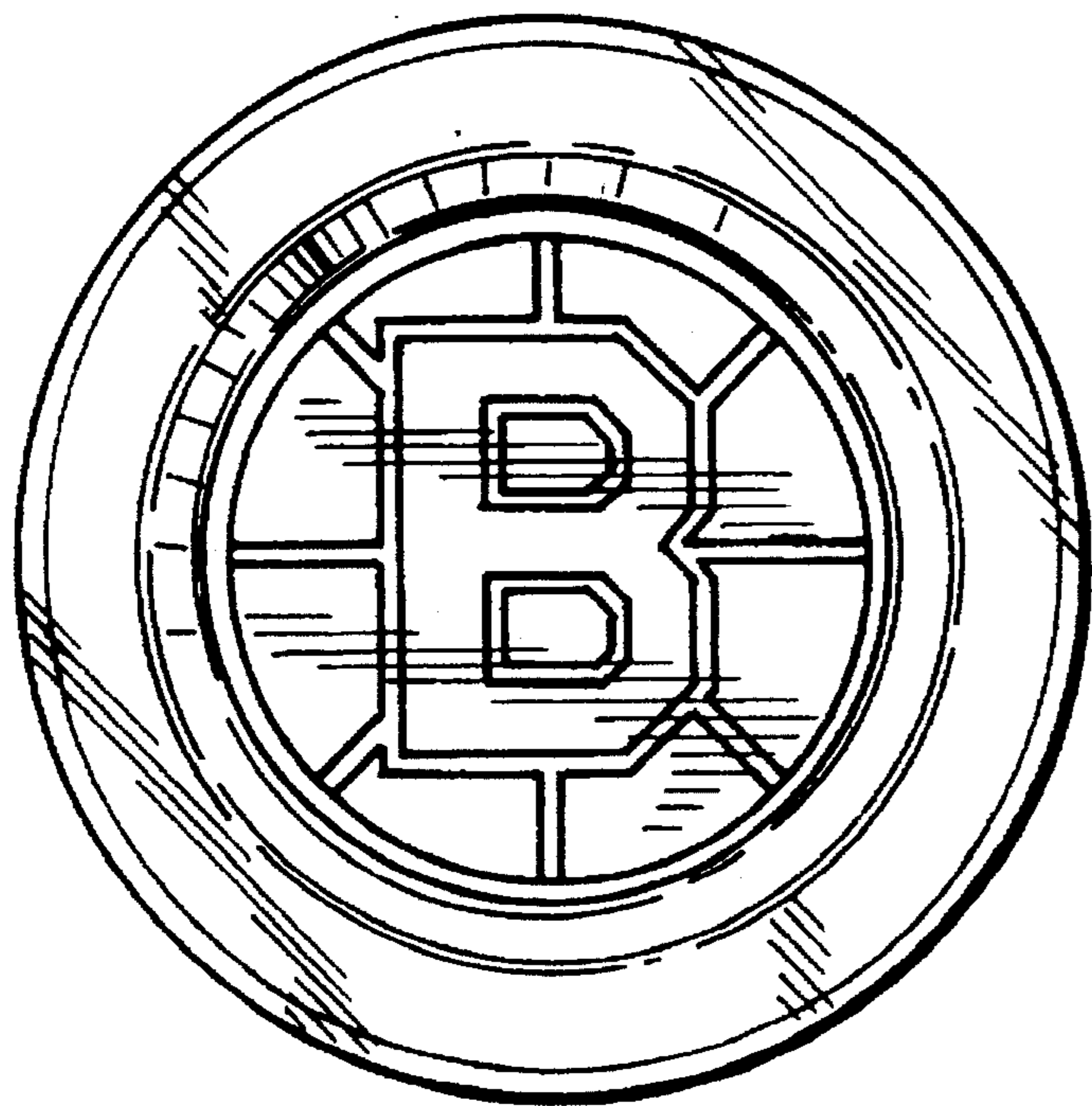




FIG. 1



FIG. 2

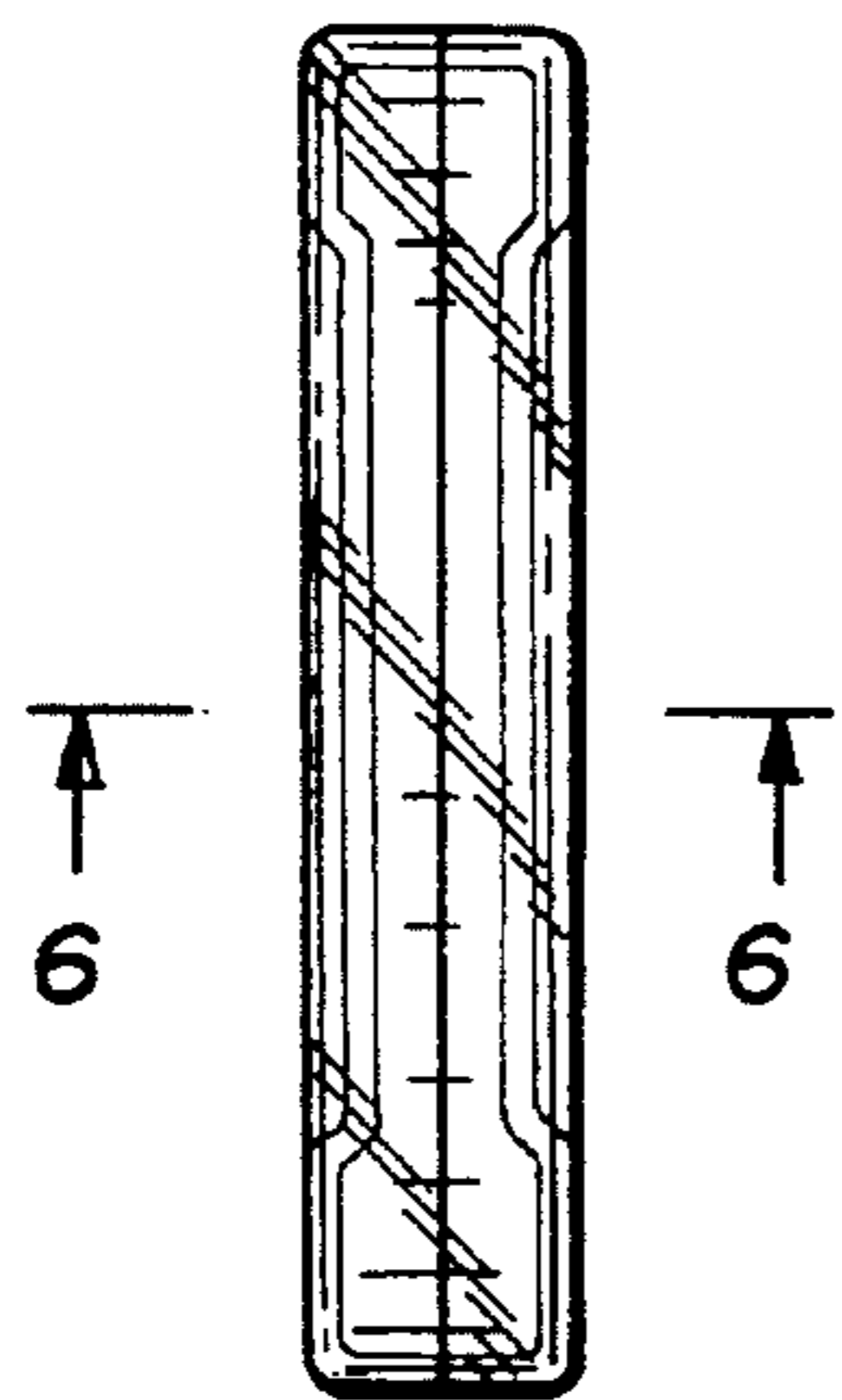


FIG. 3

FIG. 4

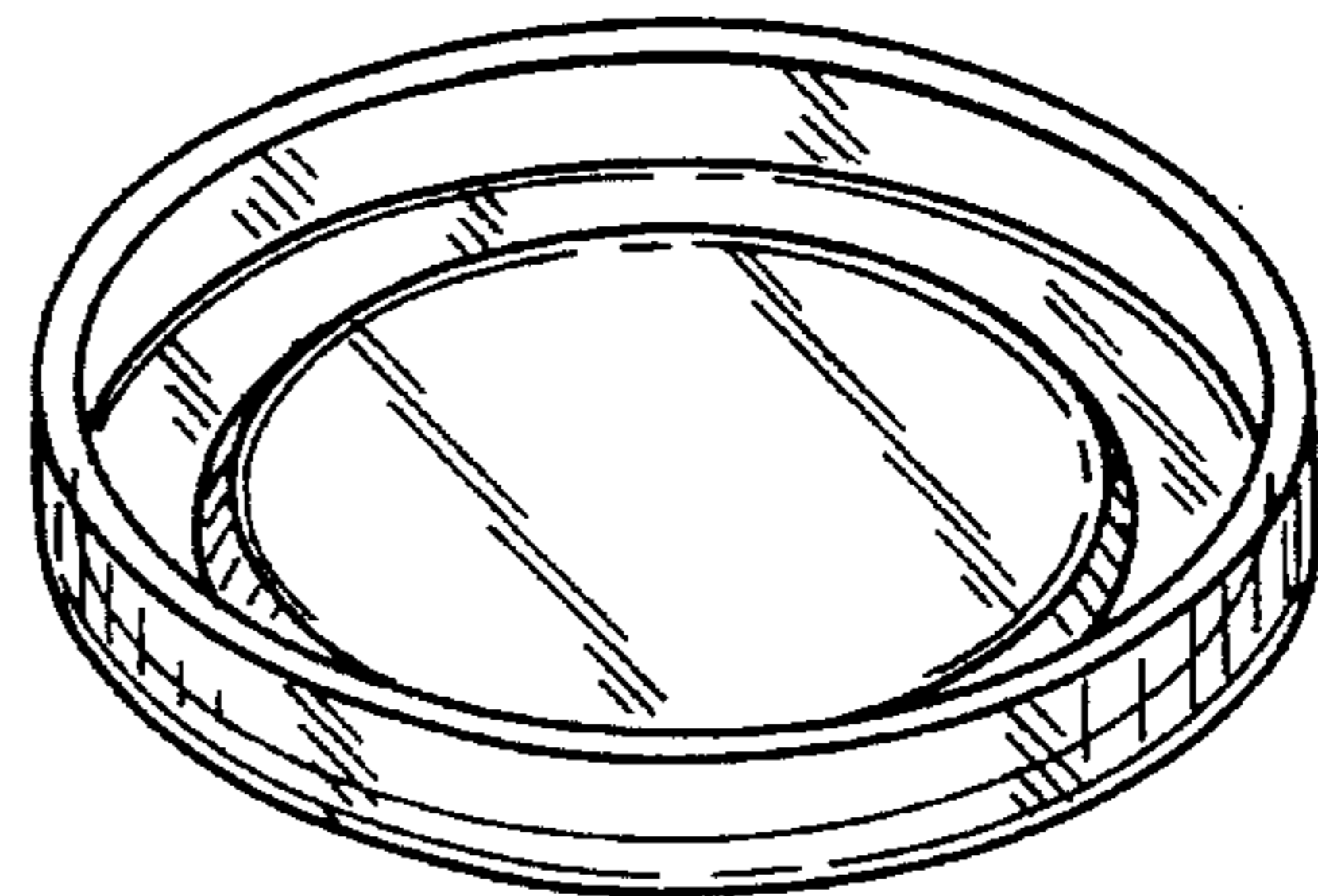
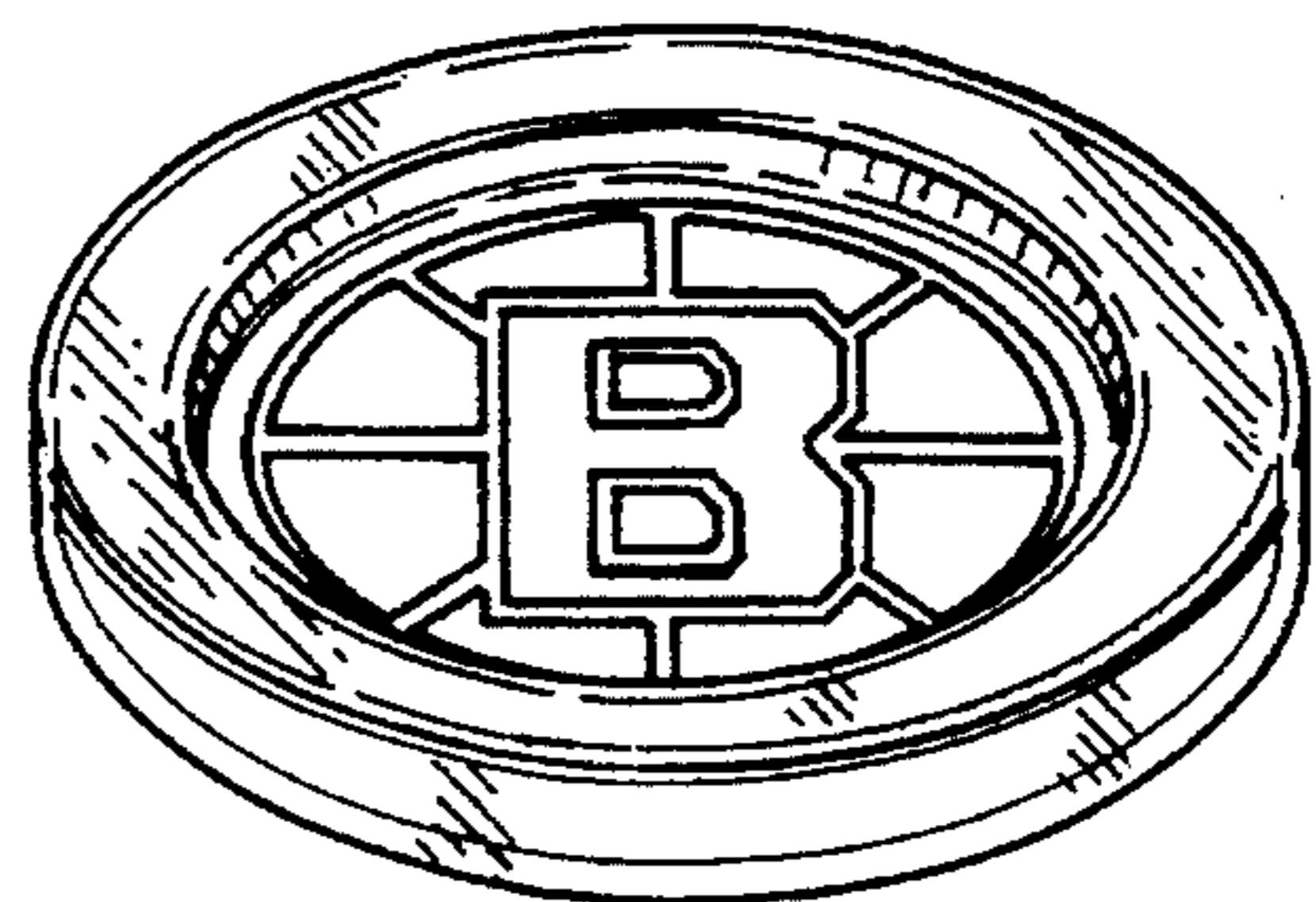


FIG. 5

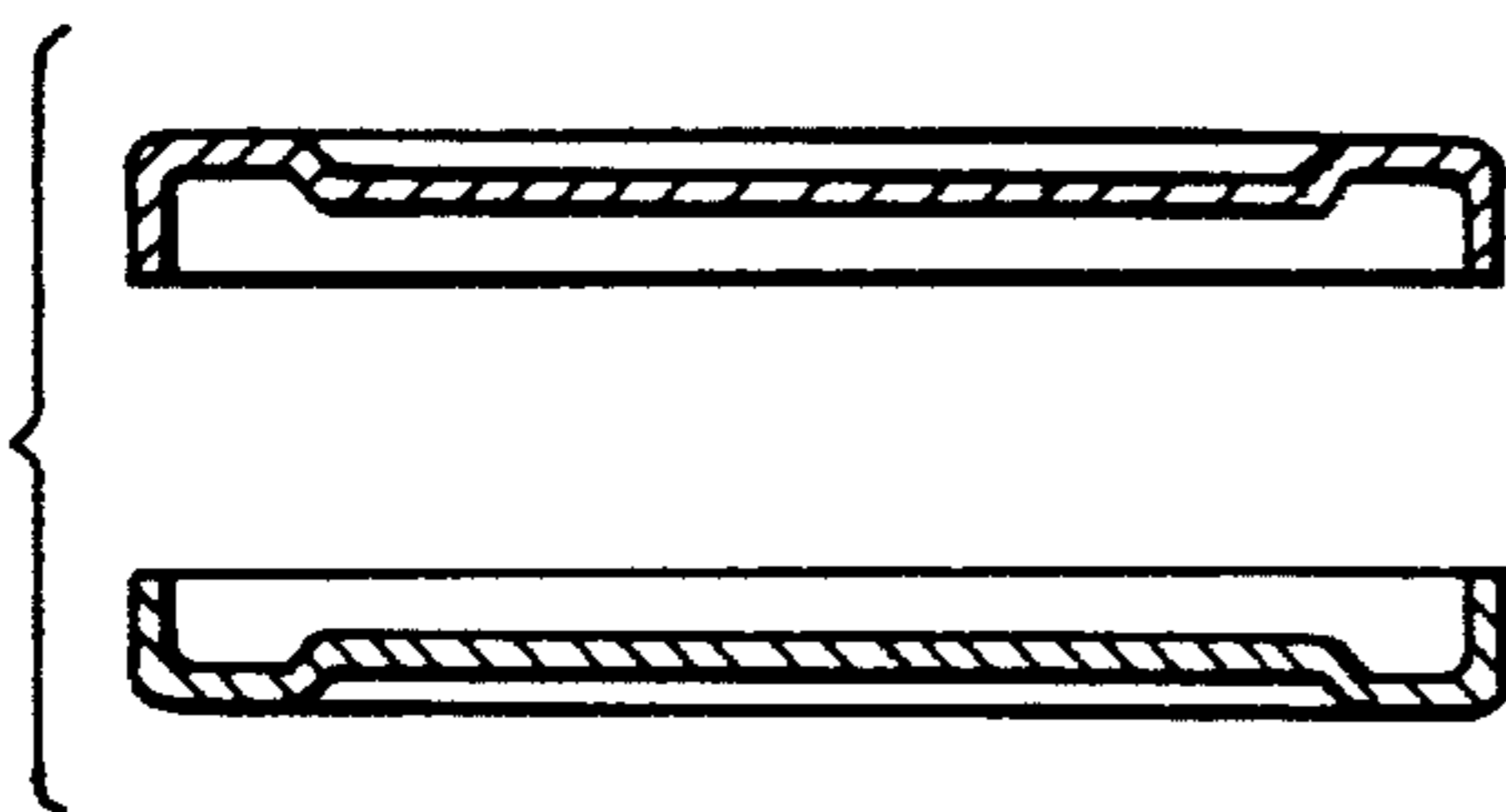


FIG. 6

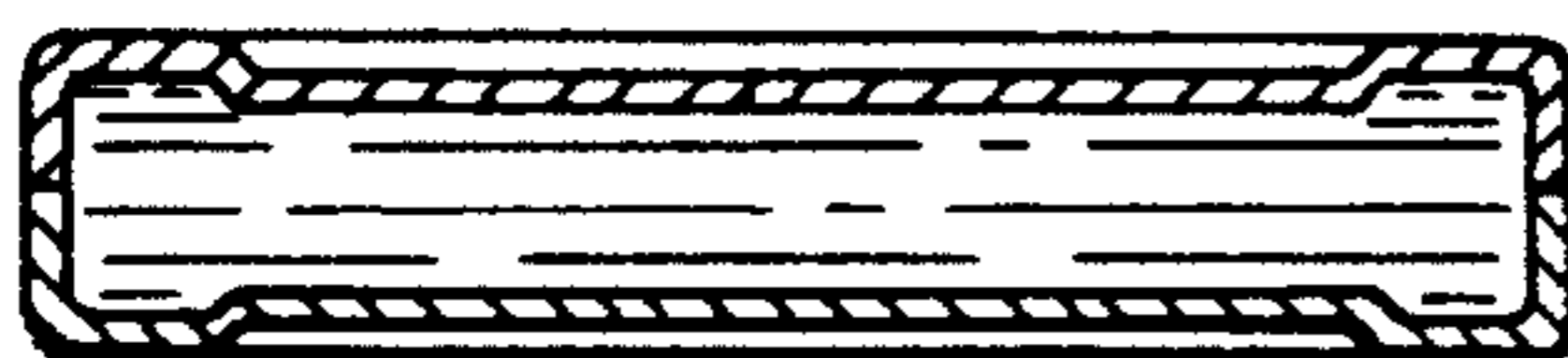


FIG. 7

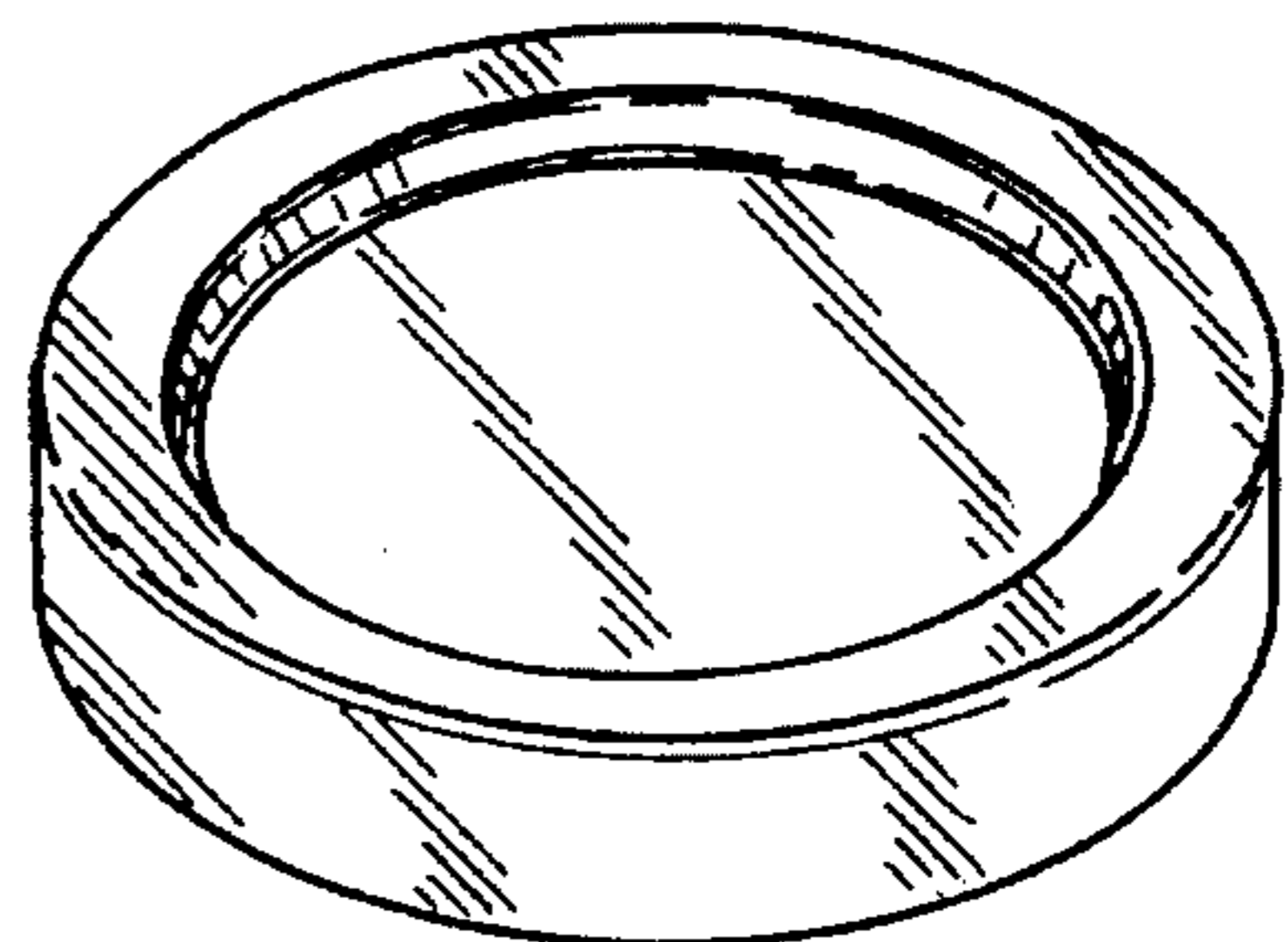


FIG. 8