



US00D365909S

United States Patent [19]
Spenceley

[11] **Patent Number: Des. 365,909**
[45] **Date of Patent: **Jan. 2, 1996**

[54] **TELESCOPIC GRAIN SPOUT**

[76] Inventor: **James Spenceley**, 2530-39 Street
North, Lethbridge, Alberta, Canada,
T1H 5J2

[**] Term: **14 Years**

[21] Appl. No.: **28,584**

[22] Filed: **Sep. 21, 1994**

[52] U.S. Cl. **D34/35**

[58] Field of Search D34/28, 32, 35;
D15/28, 19; 193/2 R, 3, 4, 5, 6, 25 C, 14,
25 E

[56] **References Cited**

U.S. PATENT DOCUMENTS

D. 267,360	12/1982	Pair	D34/28
D. 345,039	3/1994	Doyle	D34/28
D. 354,602	1/1995	Goubaud	D34/28
3,807,540	4/1974	Boulet	193/25 E X

Primary Examiner—Susan J. Lucas
Assistant Examiner—Cynthia E. Ramirez
Attorney, Agent, or Firm—George H. Dunsmuir

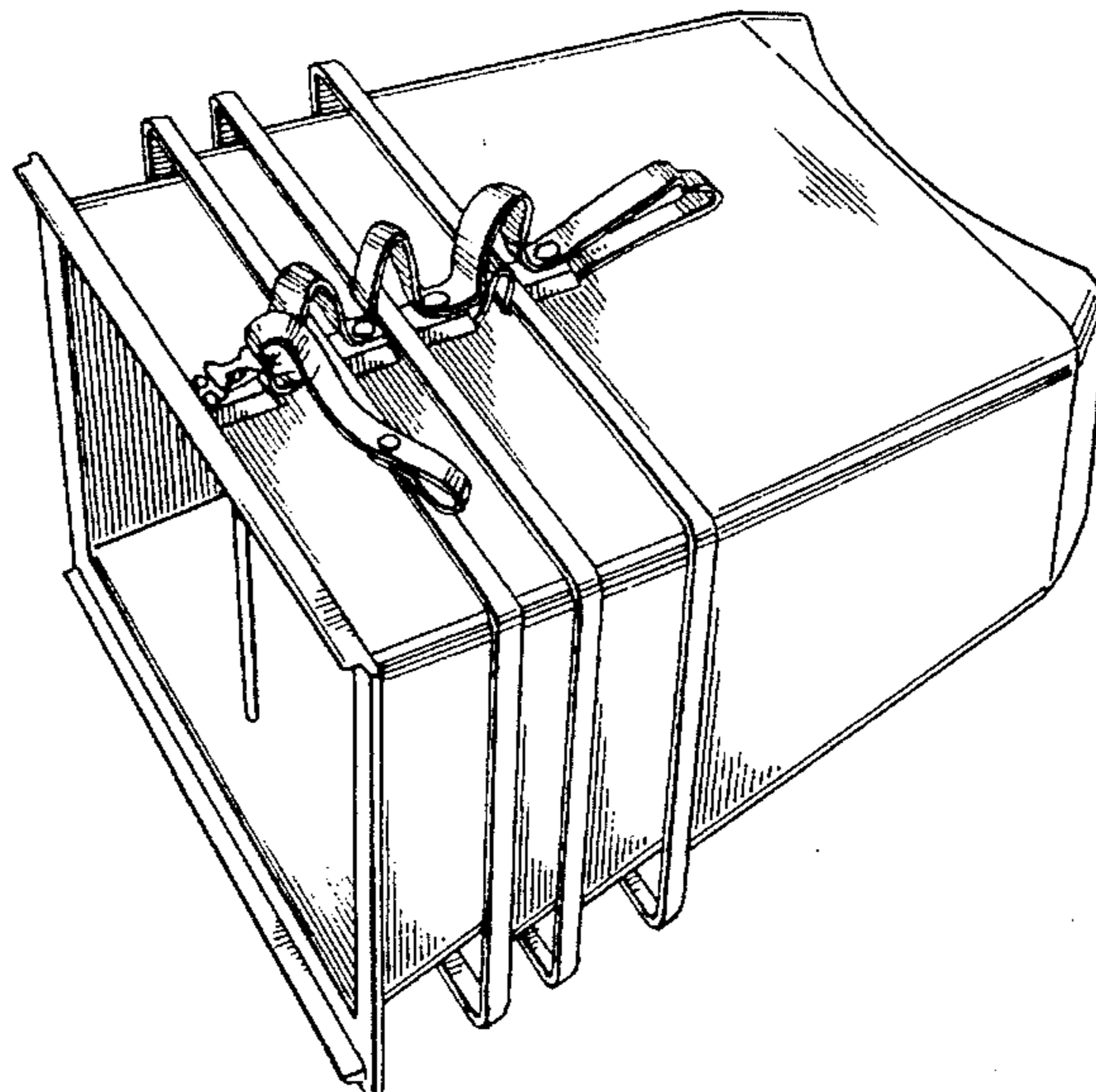
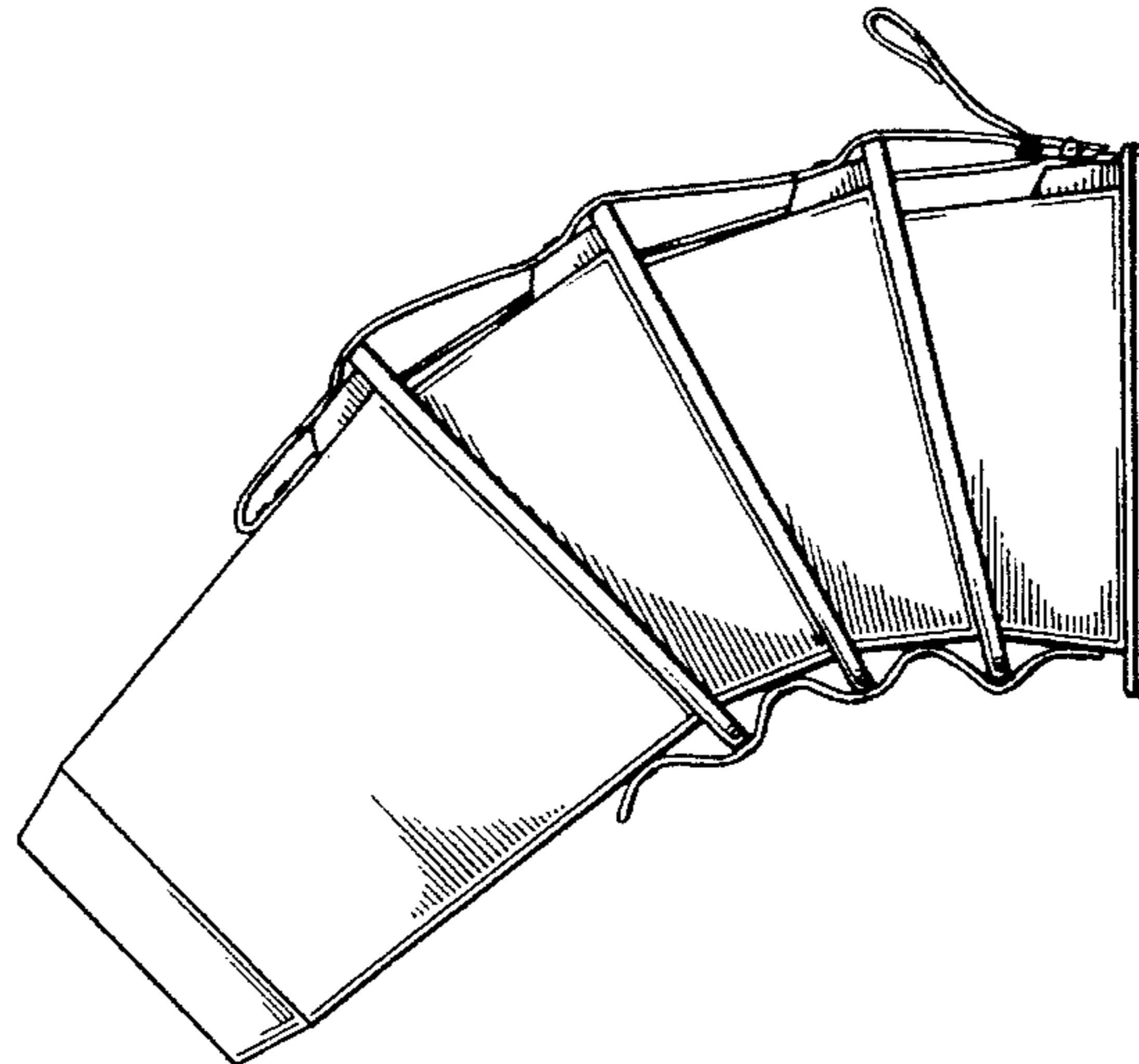
[57] **CLAIM**

The ornamental design for a telescopic grain spout, as shown and described.

DESCRIPTION

FIG. 1 is a side, elevational view of the telescopic grain spout according to my new design;
FIG. 2 is an opposite side elevational view thereof;
FIG. 3 is a front end view thereof;
FIG. 4 is a rear end view thereof;
FIG. 5 is a top plan view thereof;
FIG. 6 is a bottom plan view thereof; and,
FIG. 7 is a perspective view thereof in a closed, non-use position.

1 Claim, 3 Drawing Sheets



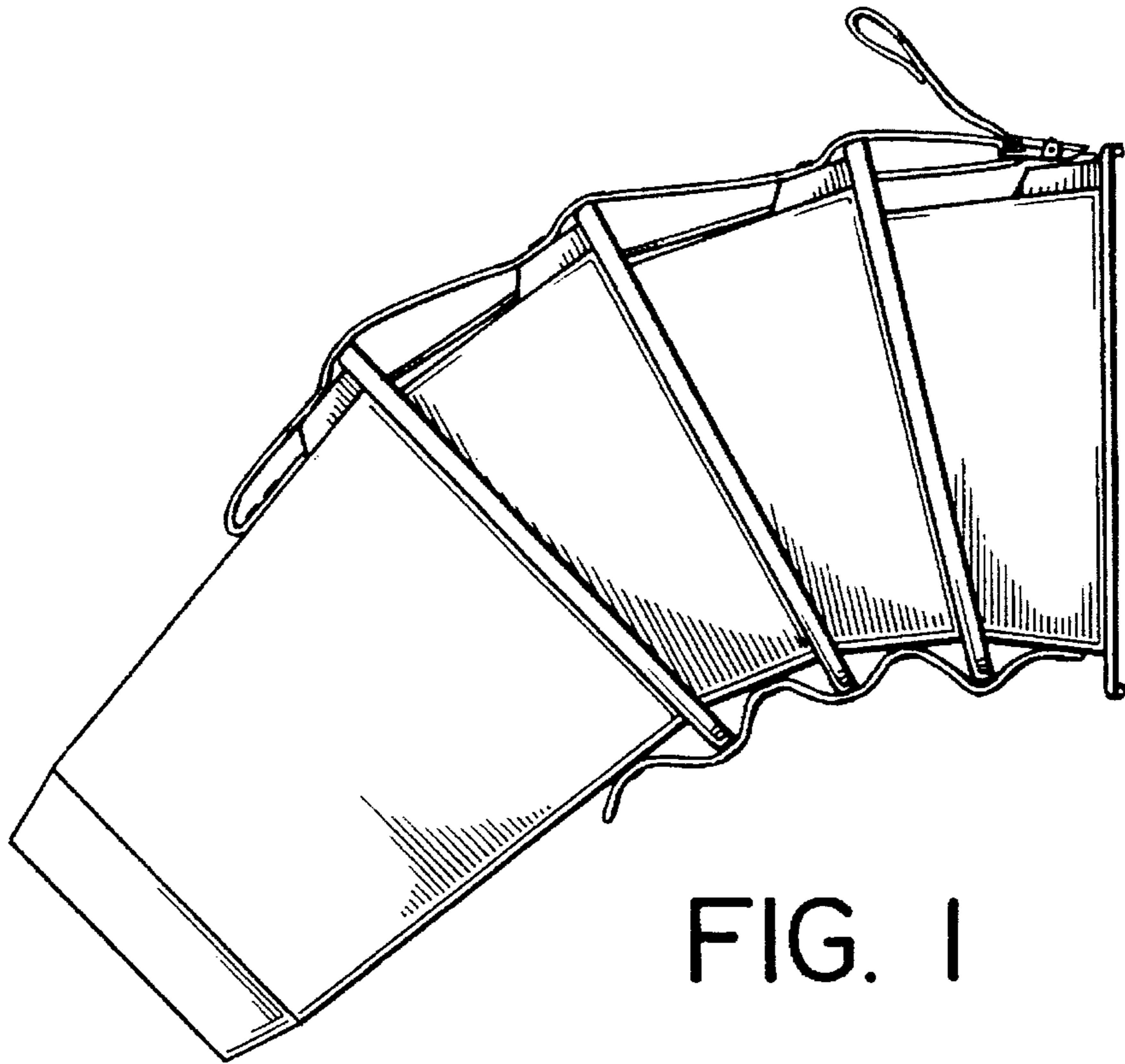


FIG. 1

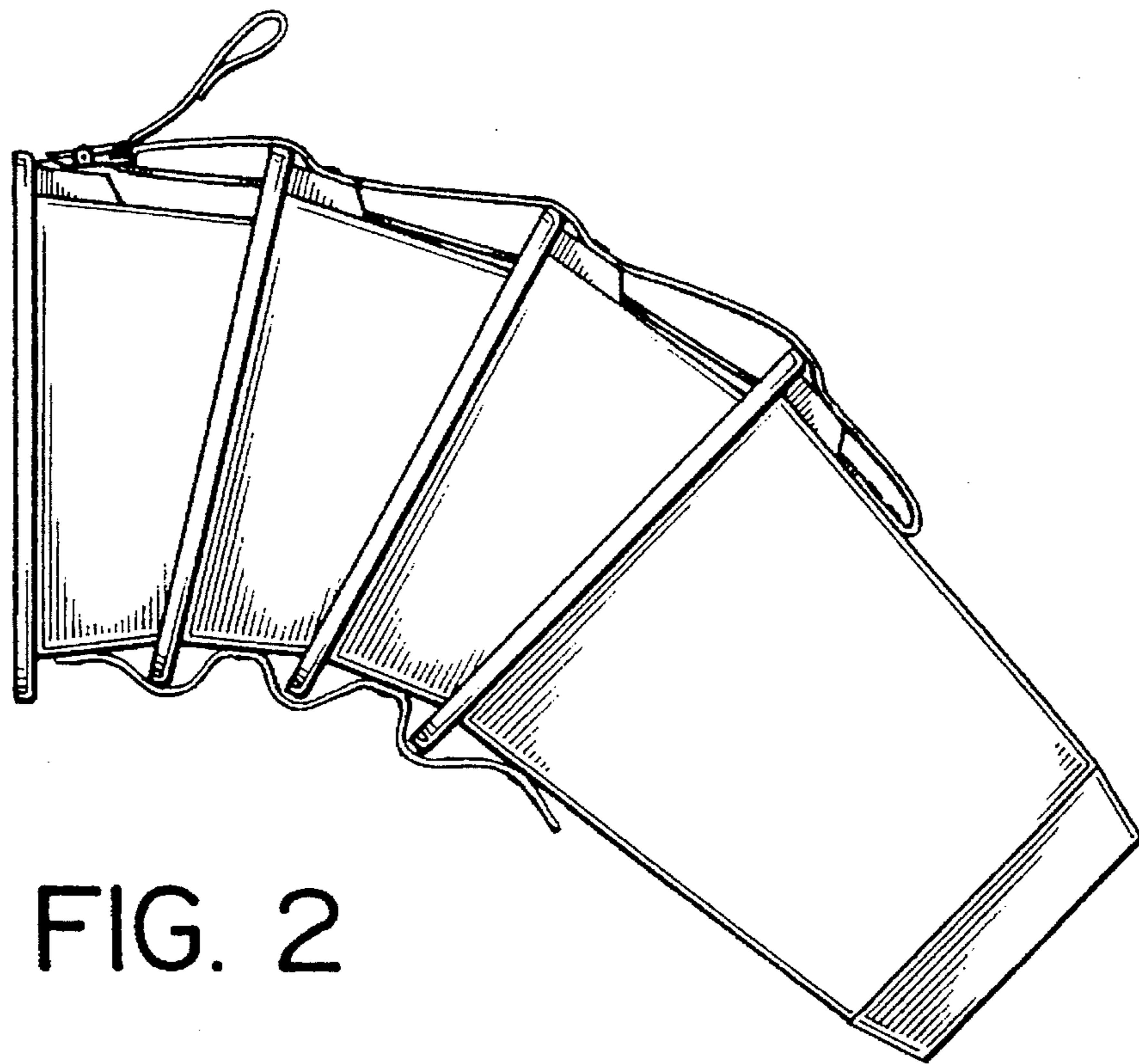


FIG. 2

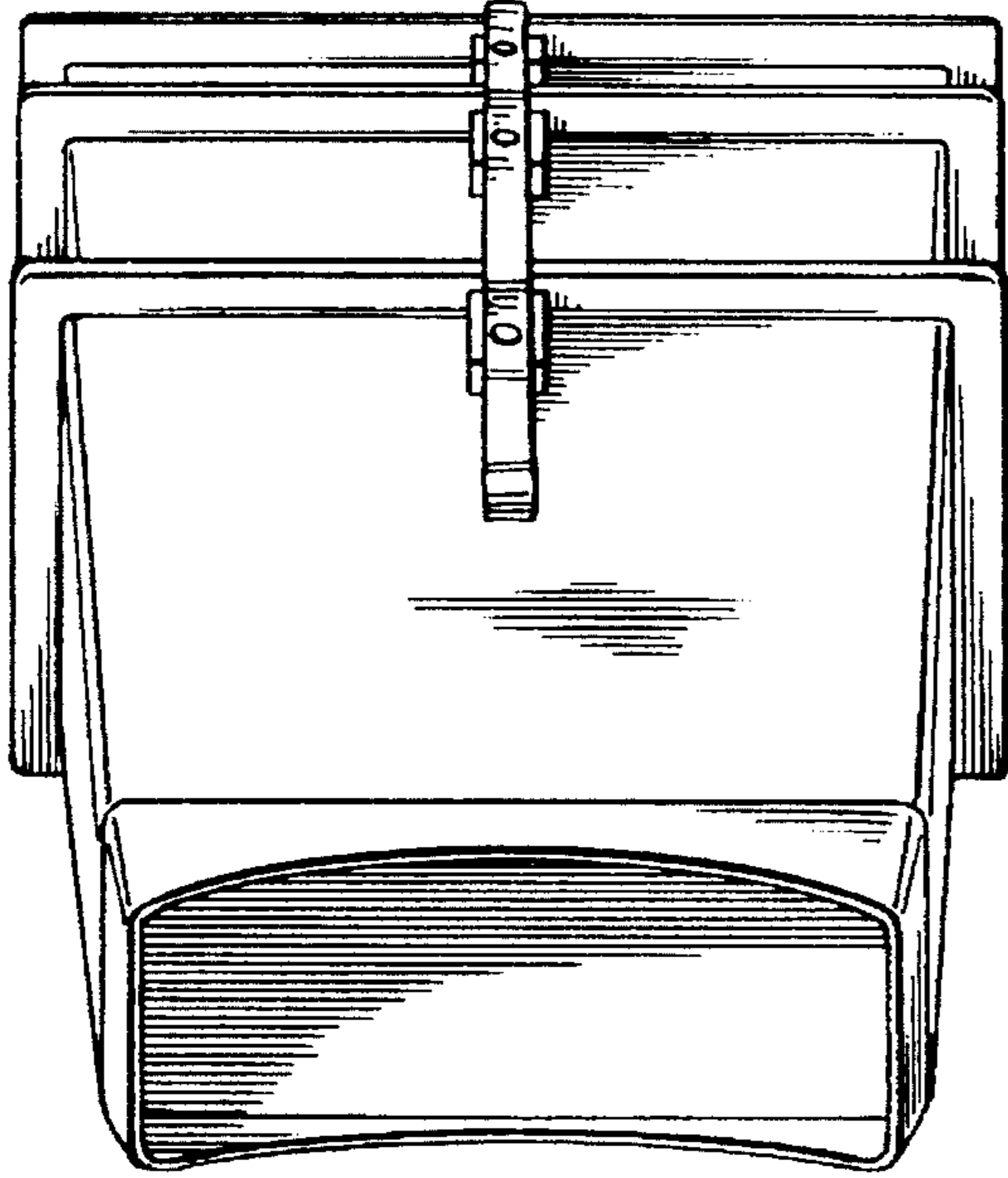


FIG. 3

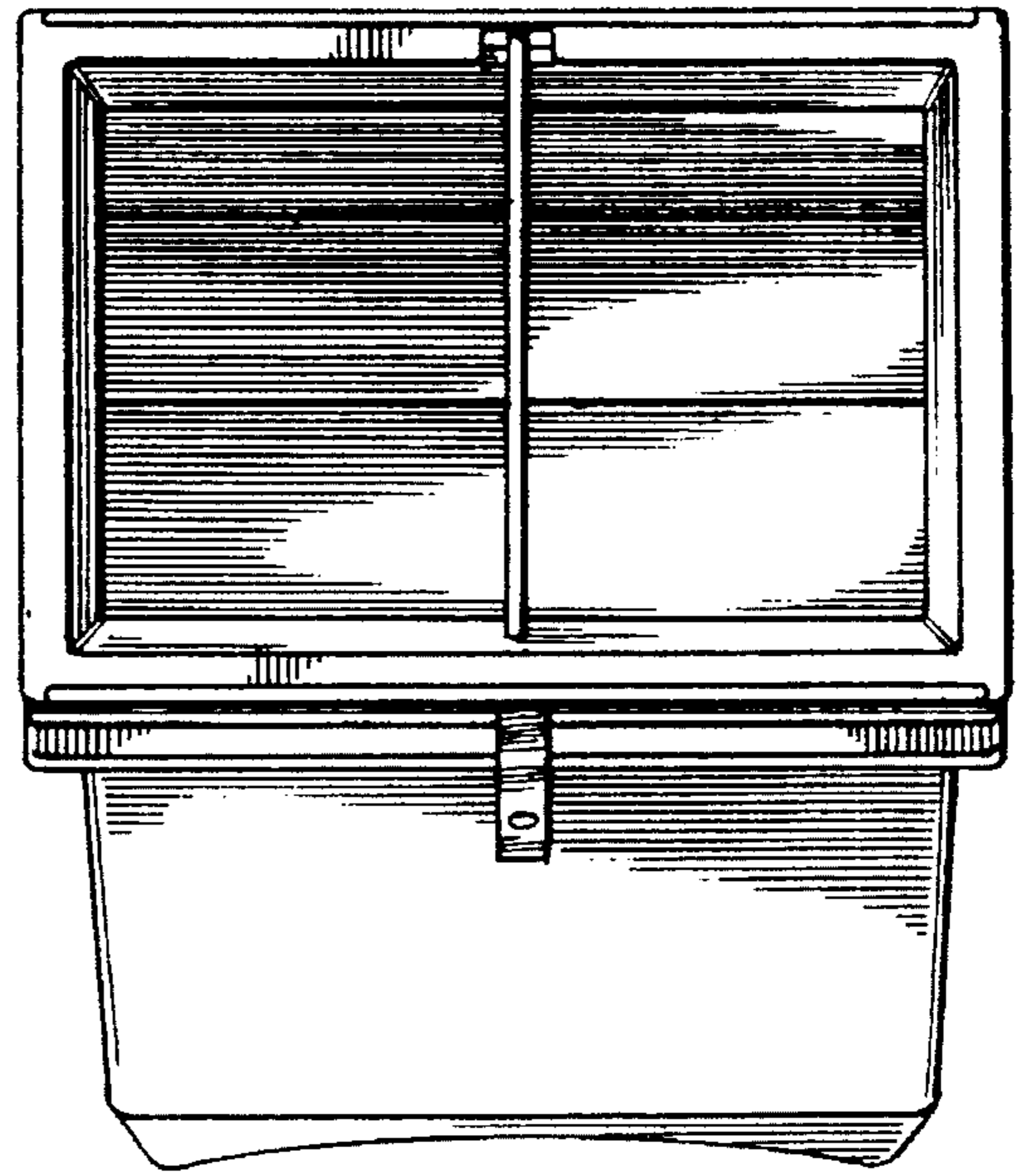


FIG. 4

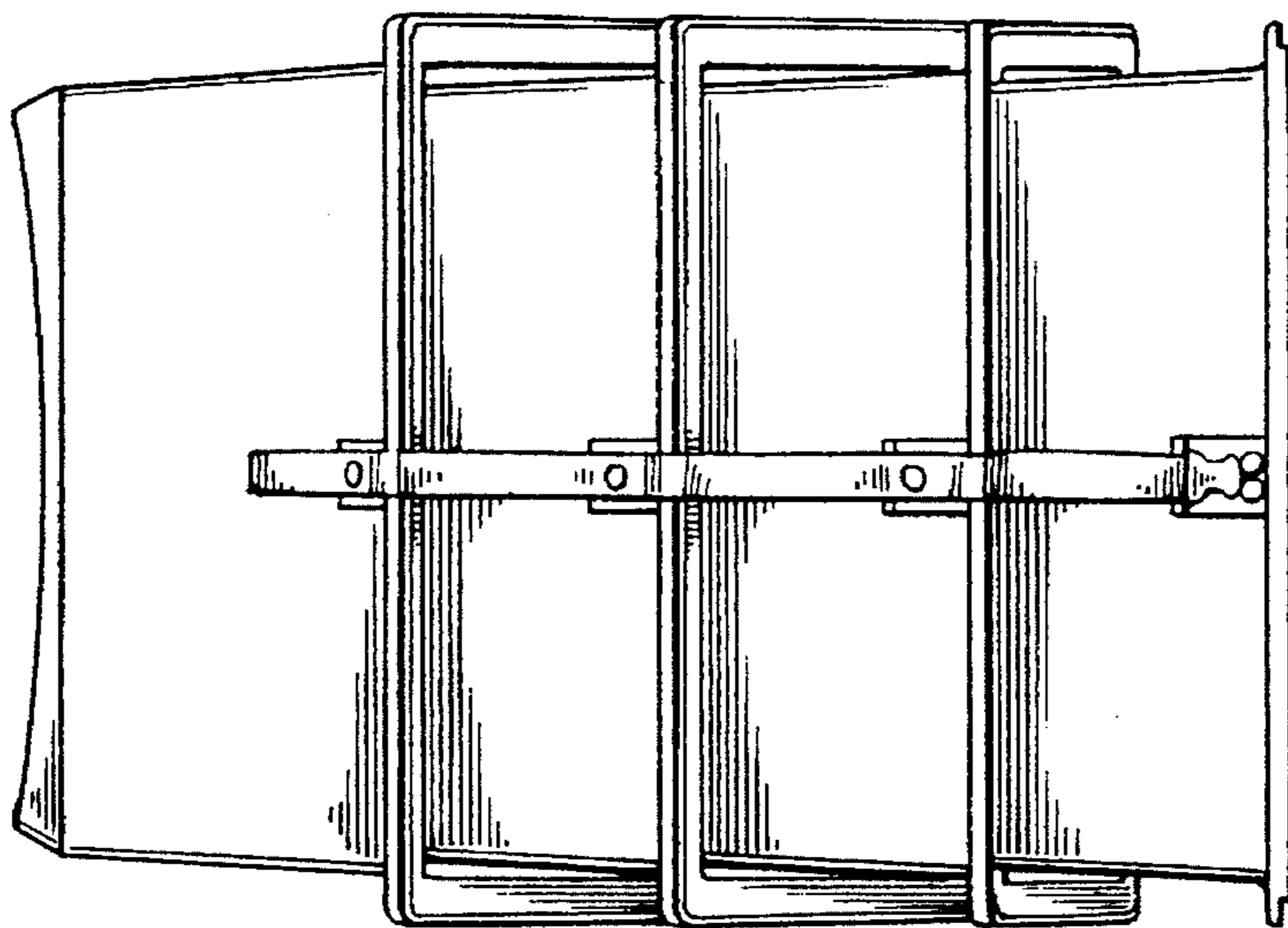


FIG. 5

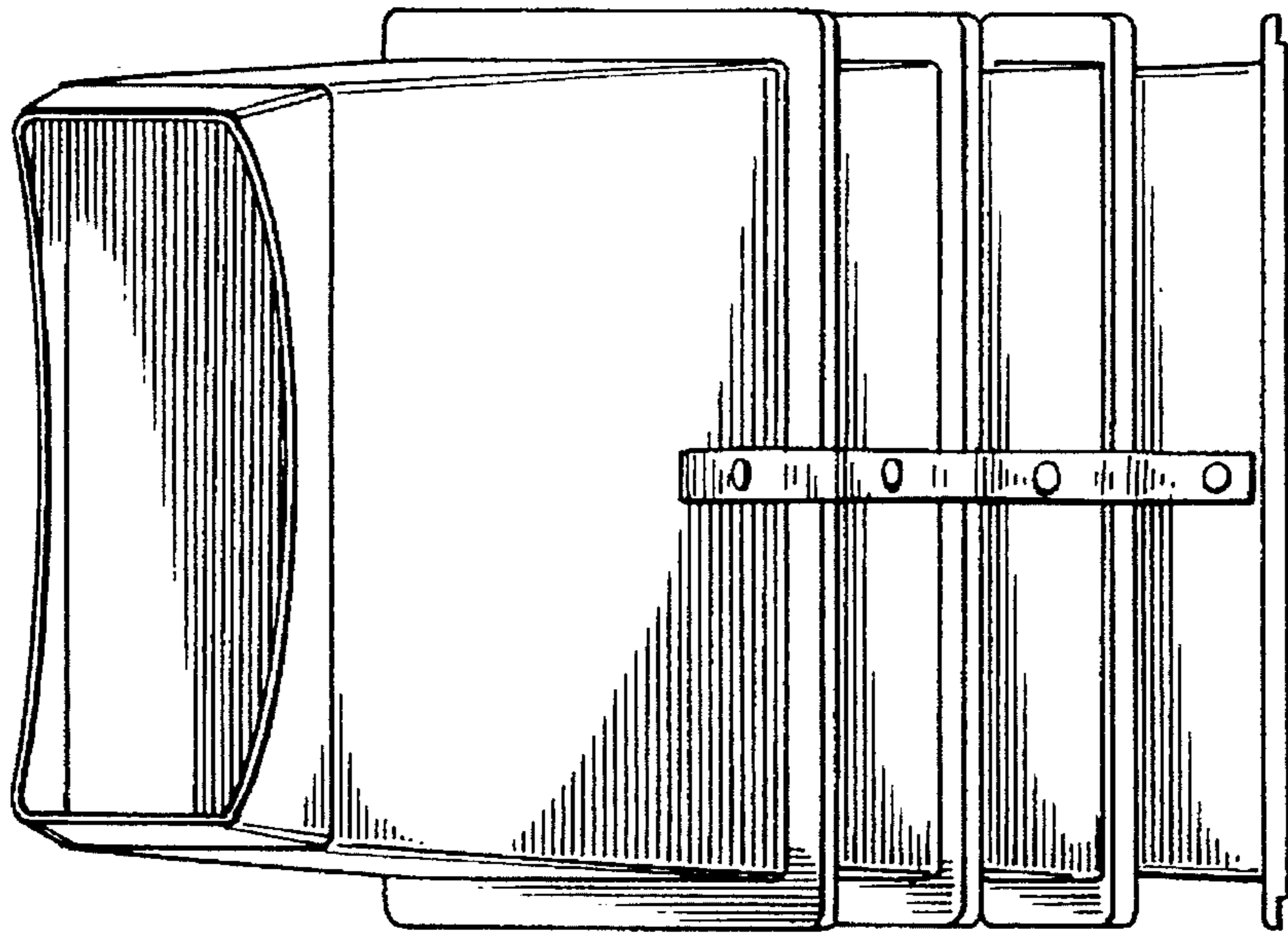


FIG. 6

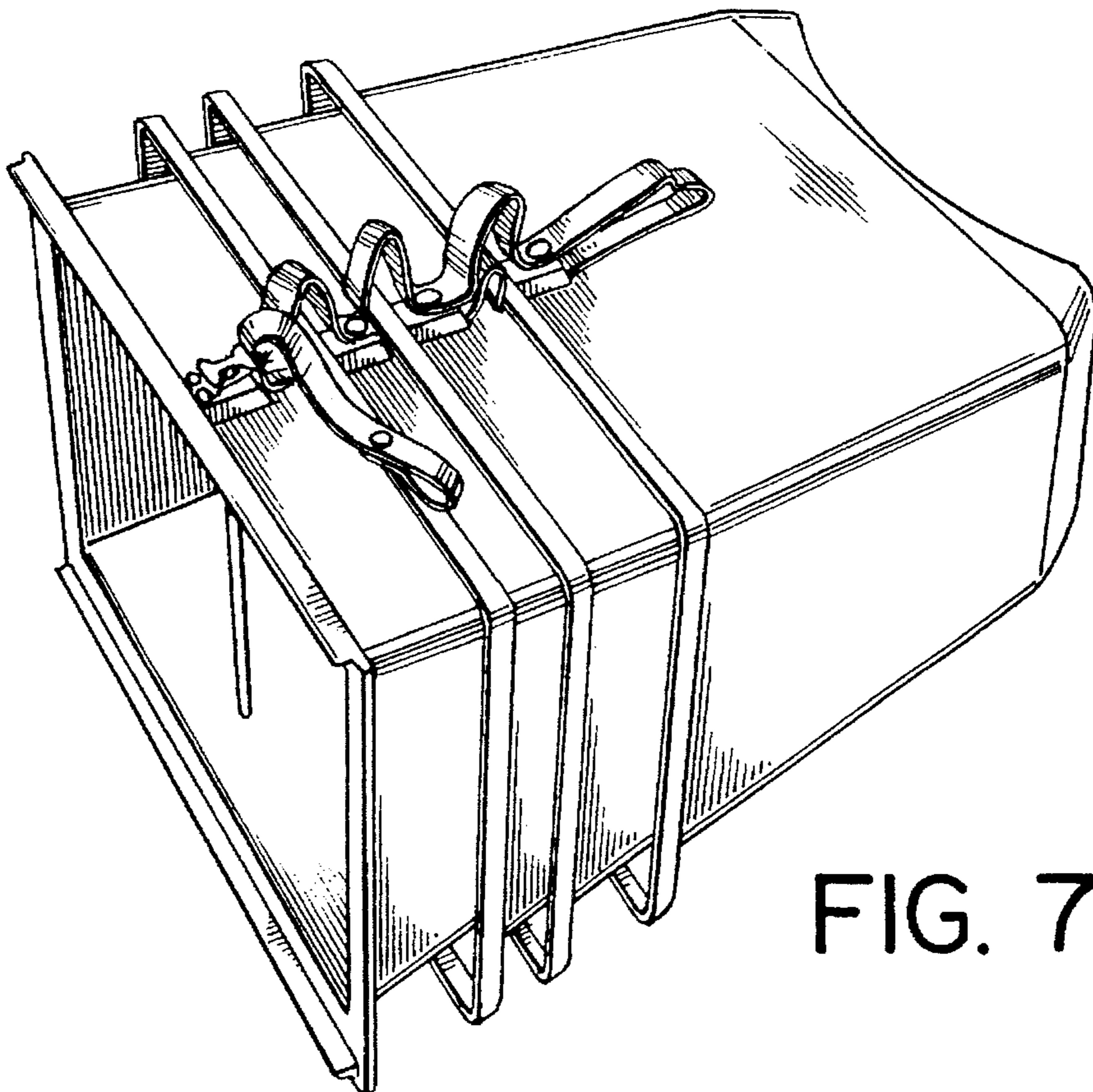


FIG. 7