



US00D365907S

United States Patent [19]

Mishler

[11] Patent Number: **Des. 365,907**

[45] Date of Patent: ****Jan. 2, 1996**

[54] **PORTABLE LIFT**

[76] Inventor: **Kenneth D. Mishler**, 7342 40th Ave. S., Seattle, Wash. 98118

[**] Term: **14 Years**

[21] Appl. No.: **31,927**

[22] Filed: **Dec. 8, 1994**

[52] U.S. Cl. **D34/28; D12/128**

[58] Field of Search **D12/128; D34/17, D34/28; 280/79.3, 79.11; 297/DIG. 4; 5/83.1, 81.1**

[56] **References Cited**

U.S. PATENT DOCUMENTS

D. 247,458	3/1978	Johansson	D12/128
D. 346,251	4/1994	Morooka	D34/28
5,333,333	8/1994	Mah	297/DIG. 4

Primary Examiner—Kay H. Chin
Attorney, Agent, or Firm—Harold H. Dutton, Jr.

[57] **CLAIM**

The ornamental design for a portable lift, as shown and described.

DESCRIPTION

FIG. 1 is a perspective view of a portable lift showing my new design;
FIG. 2 is a left side view thereof;
FIG. 3 is a right side view thereof;
FIG. 4 is a front elevational view thereof;
FIG. 5 is a rear elevational view thereof;
FIG. 6 is a top plan view thereof; and,
FIG. 7 is a bottom plan view thereof.

1 Claim, 4 Drawing Sheets

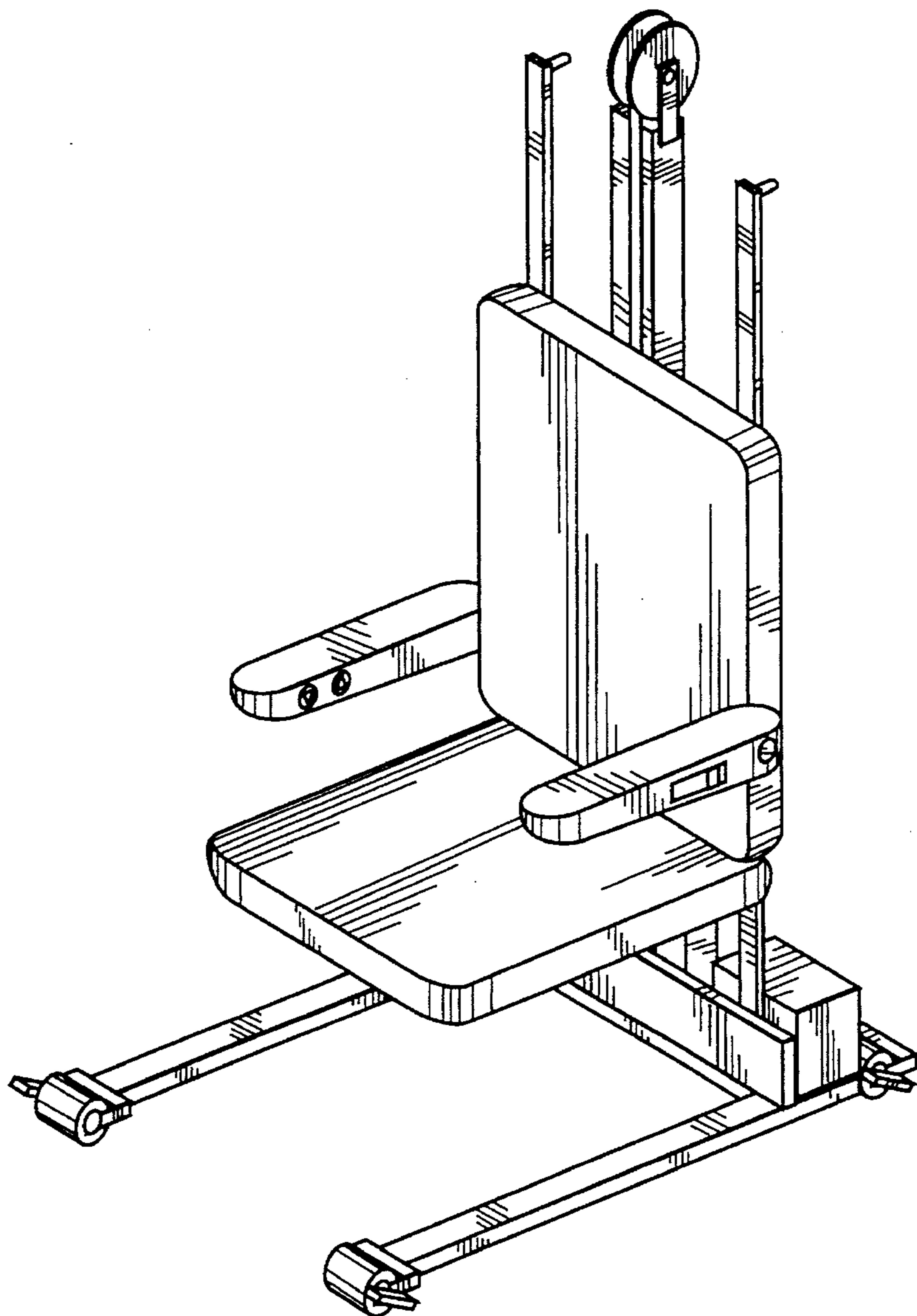
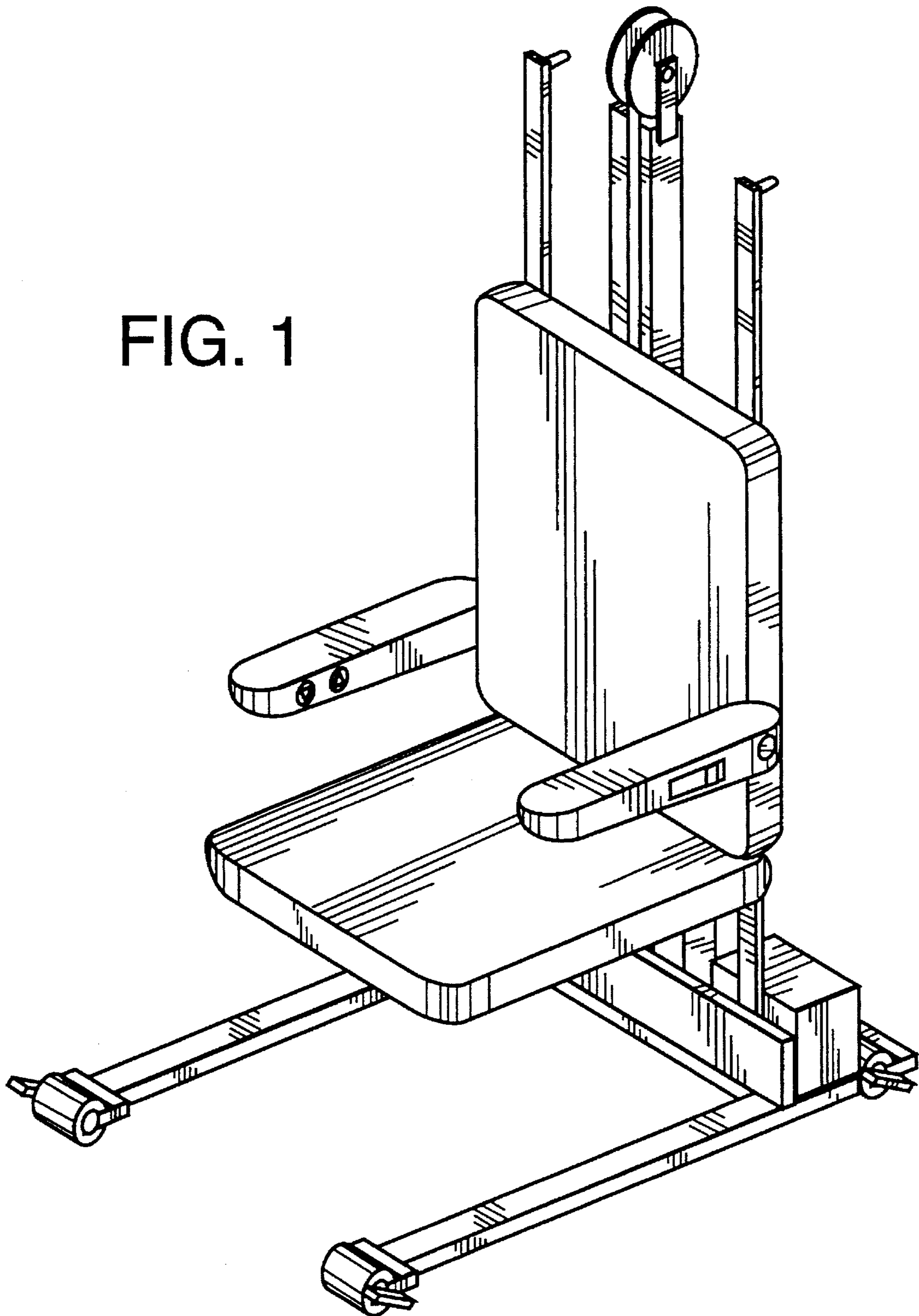


FIG. 1



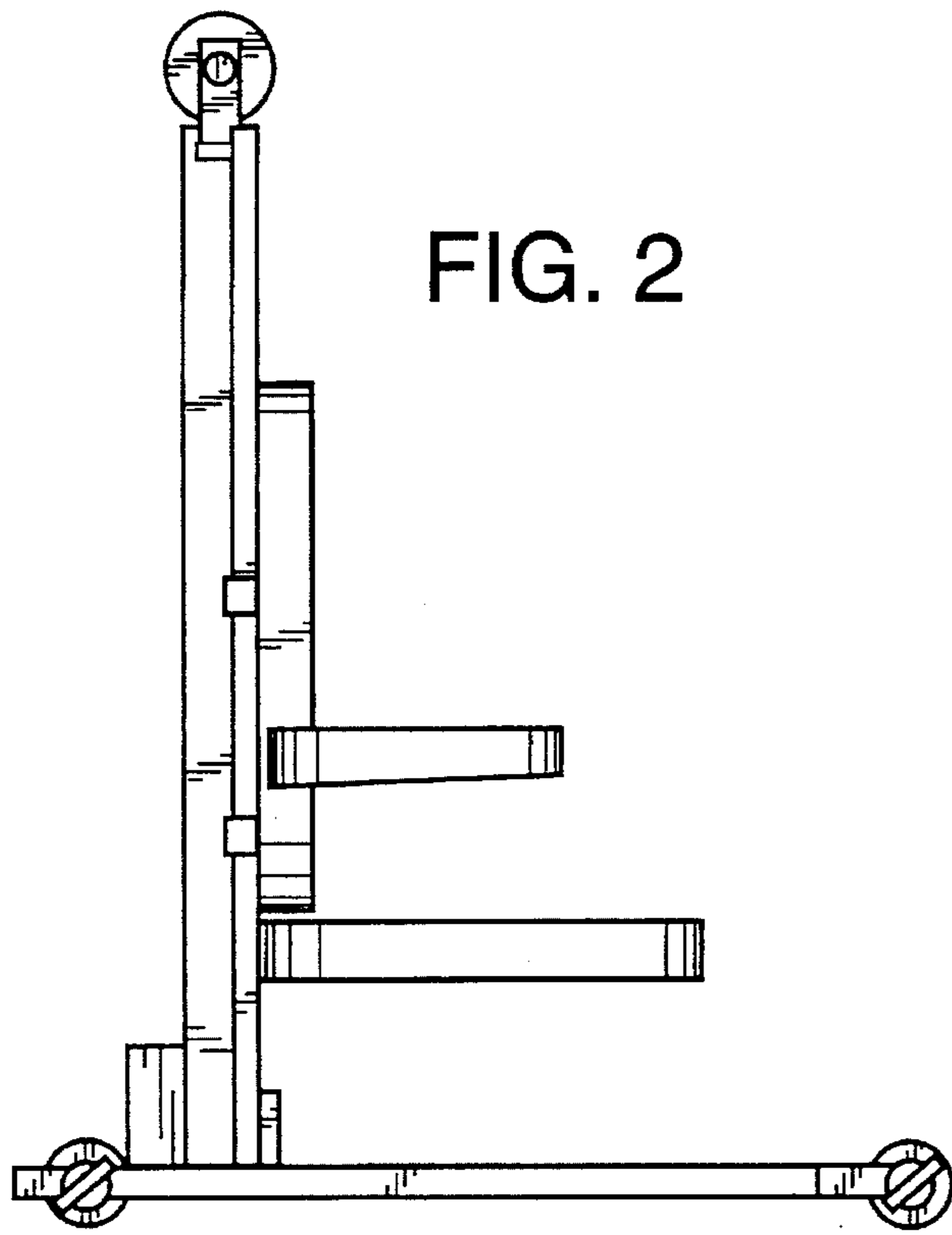


FIG. 2

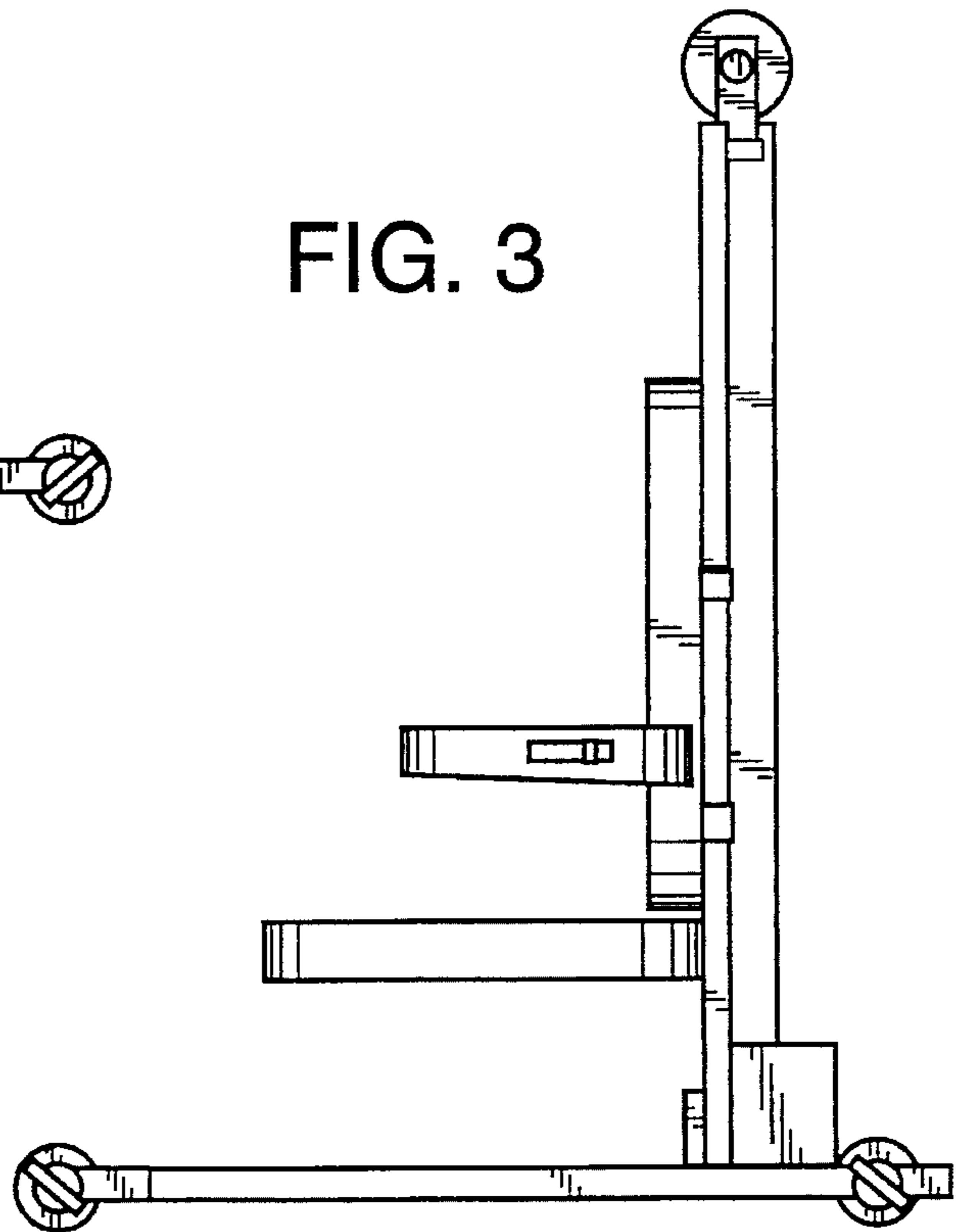


FIG. 3

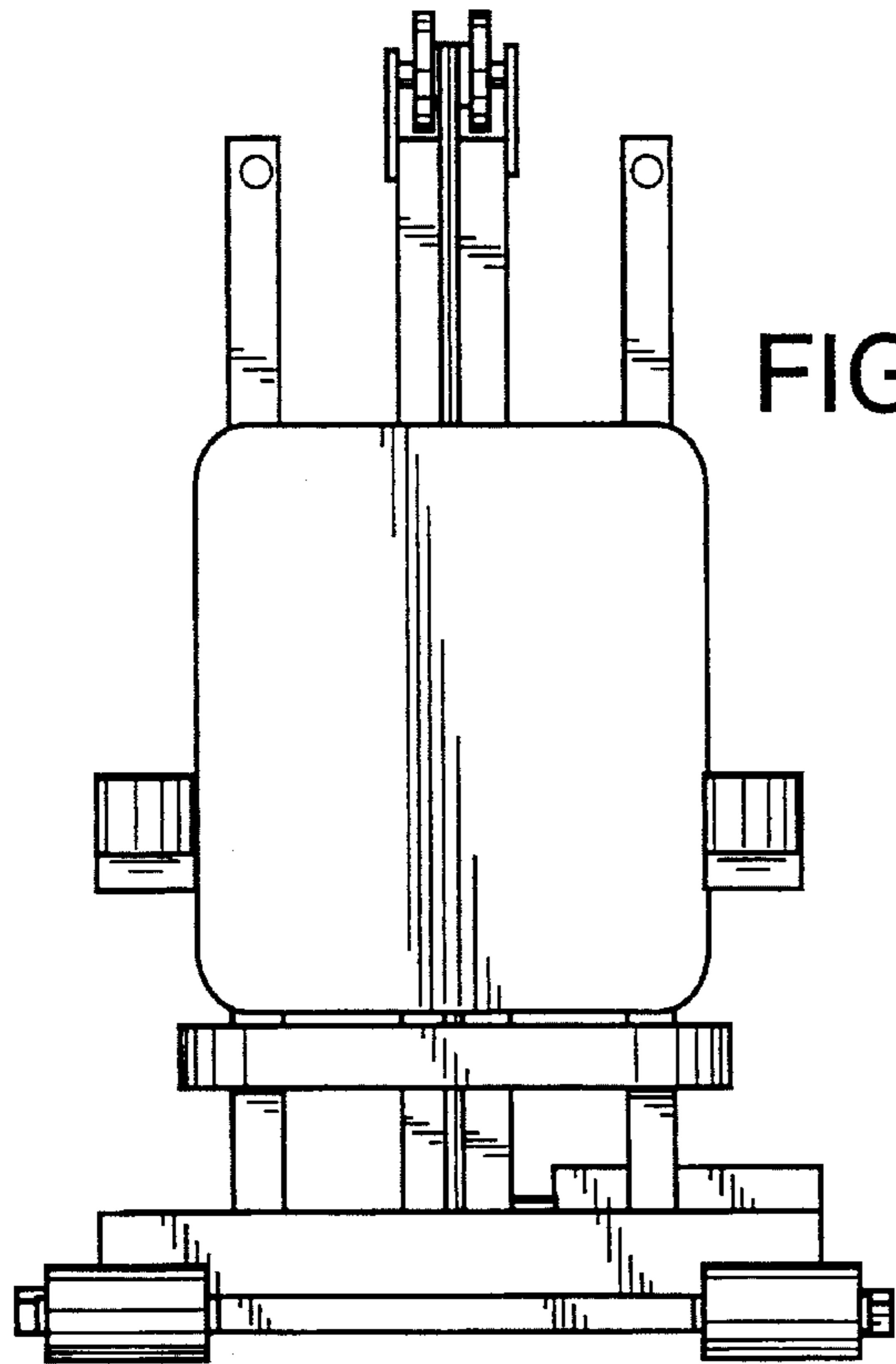


FIG. 4

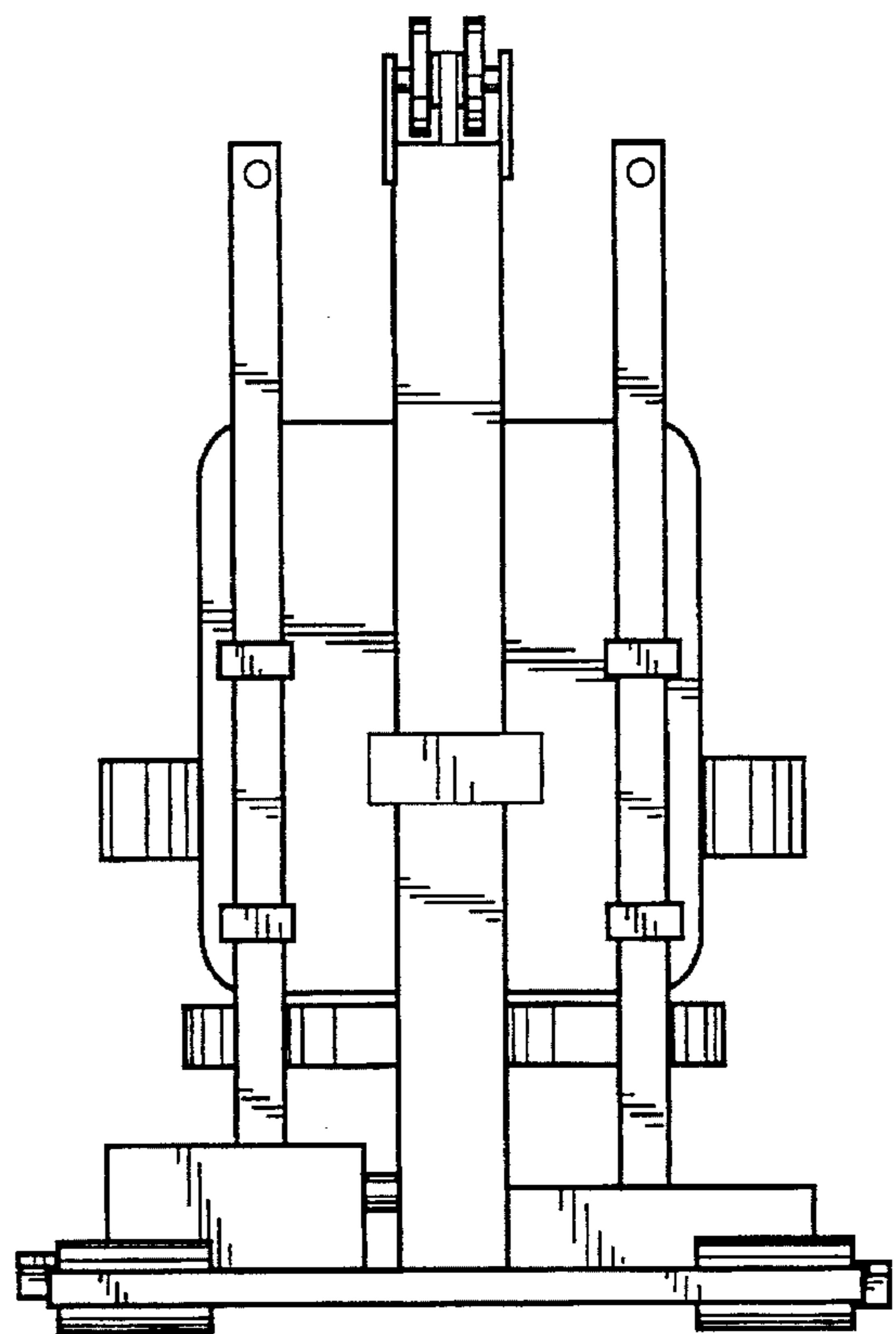


FIG. 5

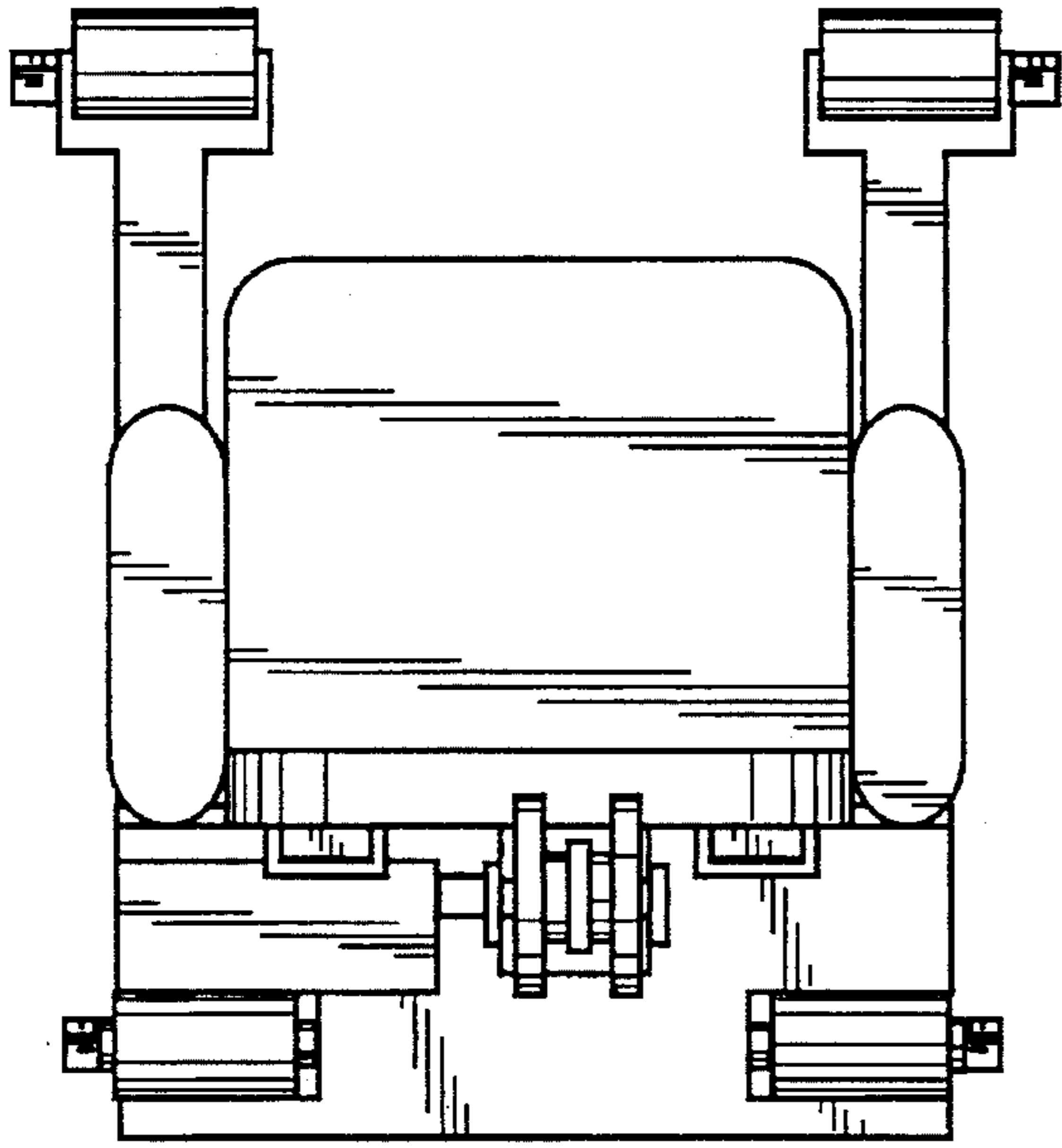


FIG. 6

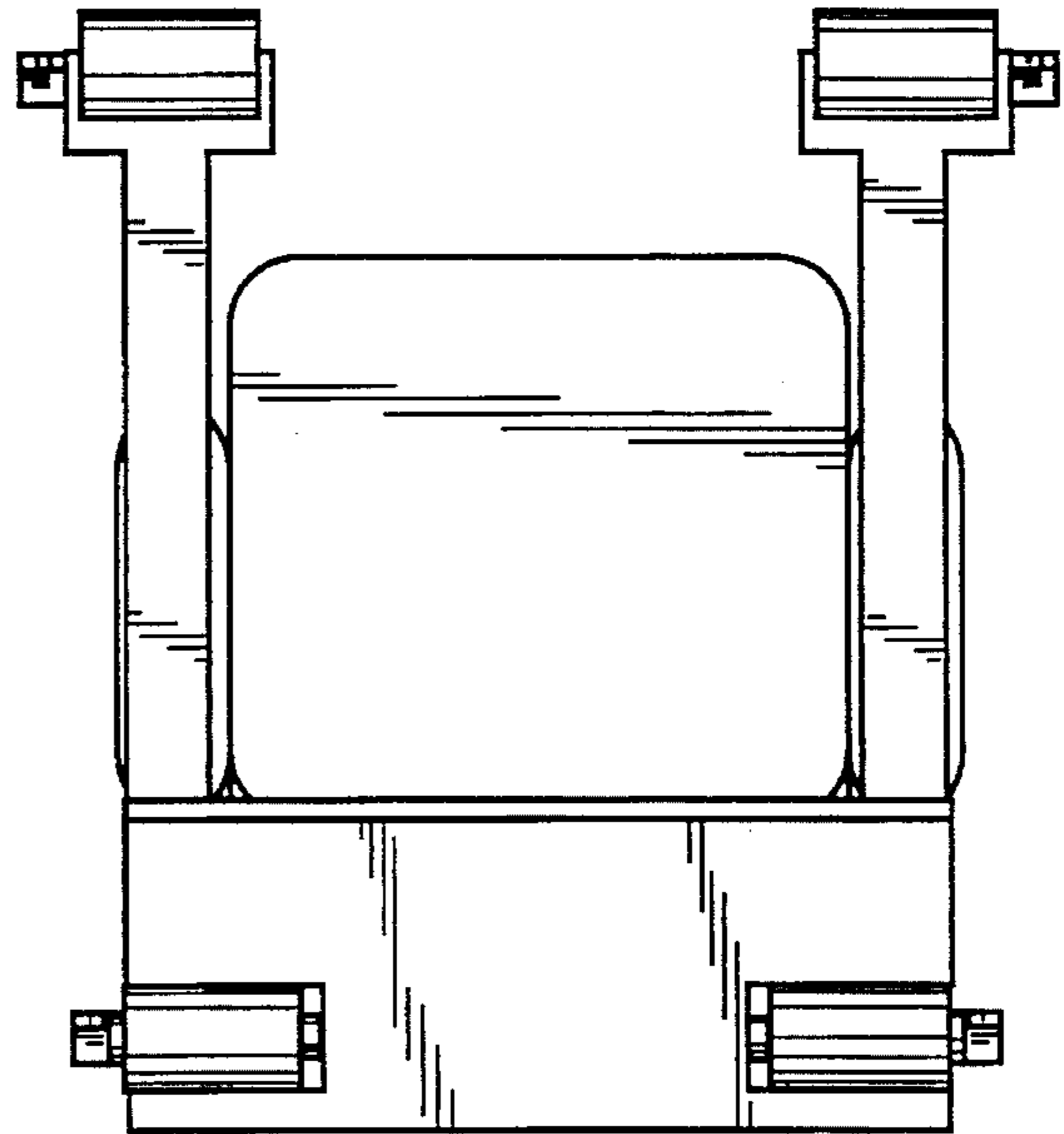


FIG. 7