



US00D365905S

United States Patent [19]

[11] Patent Number: **Des. 365,905**

Yemini

[45] Date of Patent: ****Jan. 2, 1996**

[54] STORAGE BOX WORK SEAT

Primary Examiner—Kay H. Chin
Attorney, Agent, or Firm—Mark M. Friedman

[75] Inventor: **Zvi Yemini**, Tel Aviv, Israel

[57] **CLAIM**

[73] Assignee: **Zag Ltd.**, Tel Aviv, Israel

The ornamental design for a storage box work seat, as shown and described.

[**] Term: **14 Years**

DESCRIPTION

[21] Appl. No.: **32,071**

FIG. 1 is a front view of a storage box work seat showing my new design;

[22] Filed: **Nov. 28, 1994**

FIG. 2 is a top view of a storage box work seat showing my new design;

[52] U.S. Cl. **D34/19; D34/23**

FIG. 3 is a back view of a storage box work seat showing my new design; and,

[58] Field of Search **D34/12-27; 280/32.5, 280/32.6, 79.11**

FIG. 4 is a side view of a storage box work seat showing my new design.

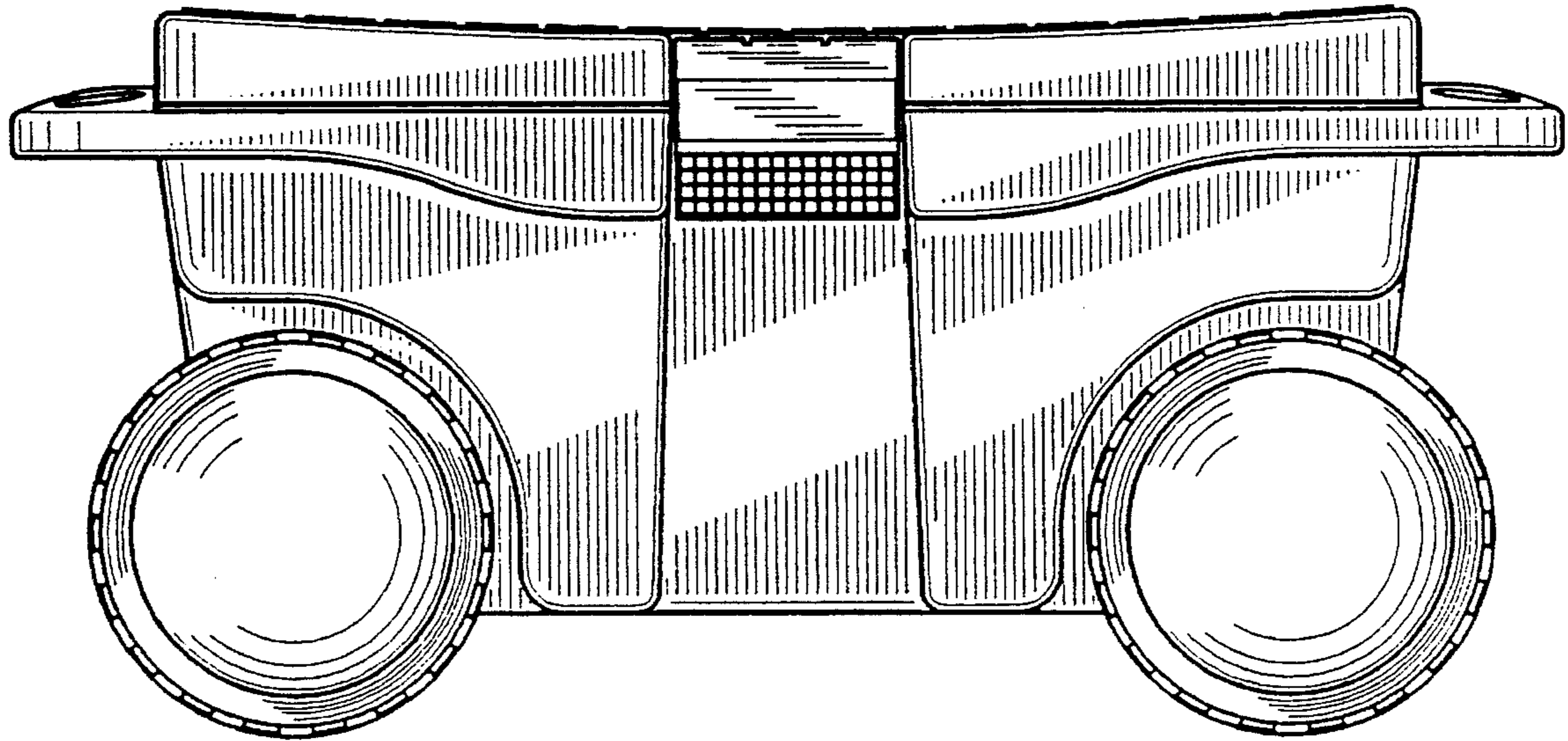
[56] **References Cited**

The undisclosed bottom is flat and unornamented.

U.S. PATENT DOCUMENTS

D. 295,099	4/1988	Gallaugher et al.	D34/18
D. 327,352	6/1992	Robinson	D34/23
4,795,180	1/1989	Polcyn	280/32.6
4,832,355	5/1989	Hung	280/32.5

1 Claim, 2 Drawing Sheets



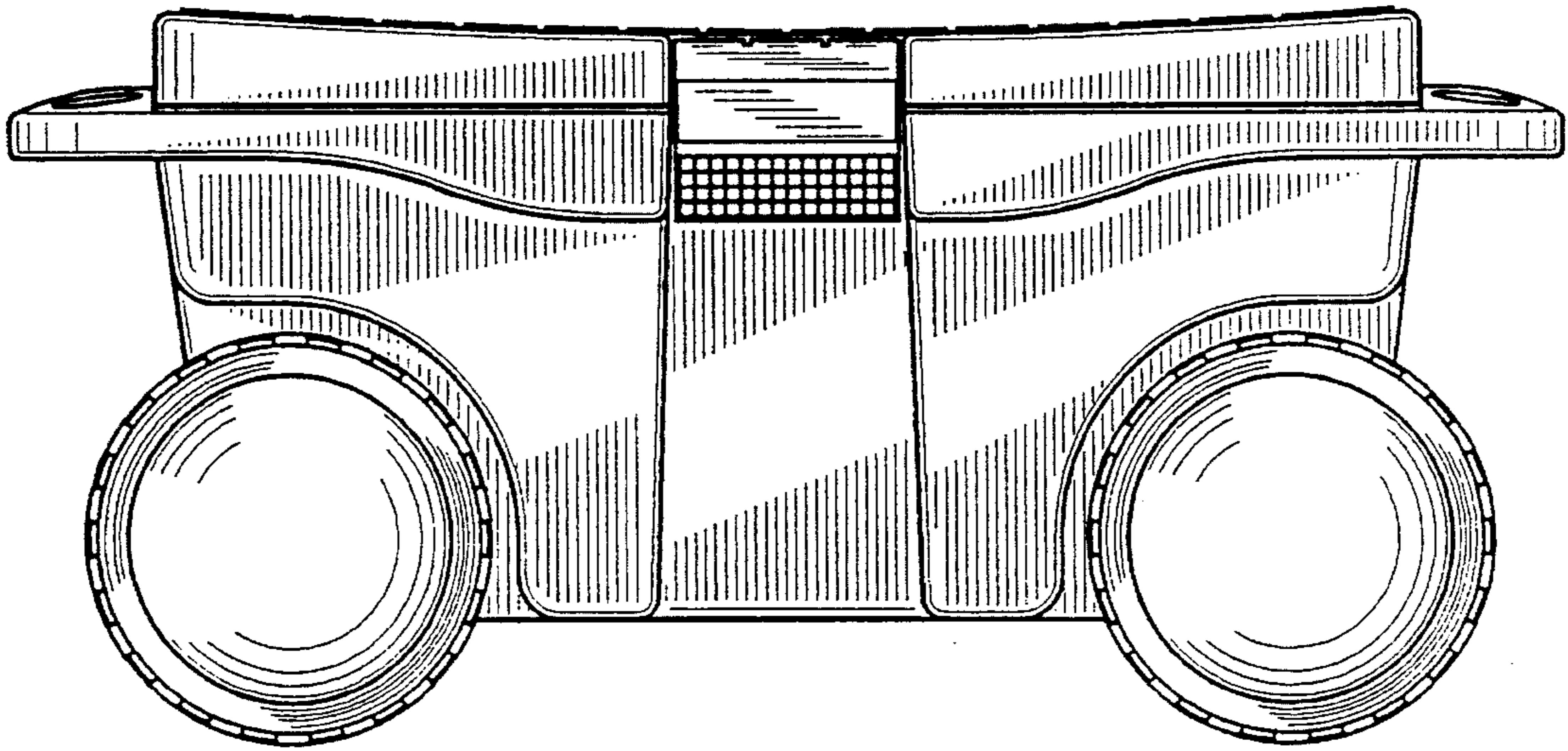


FIG. 1

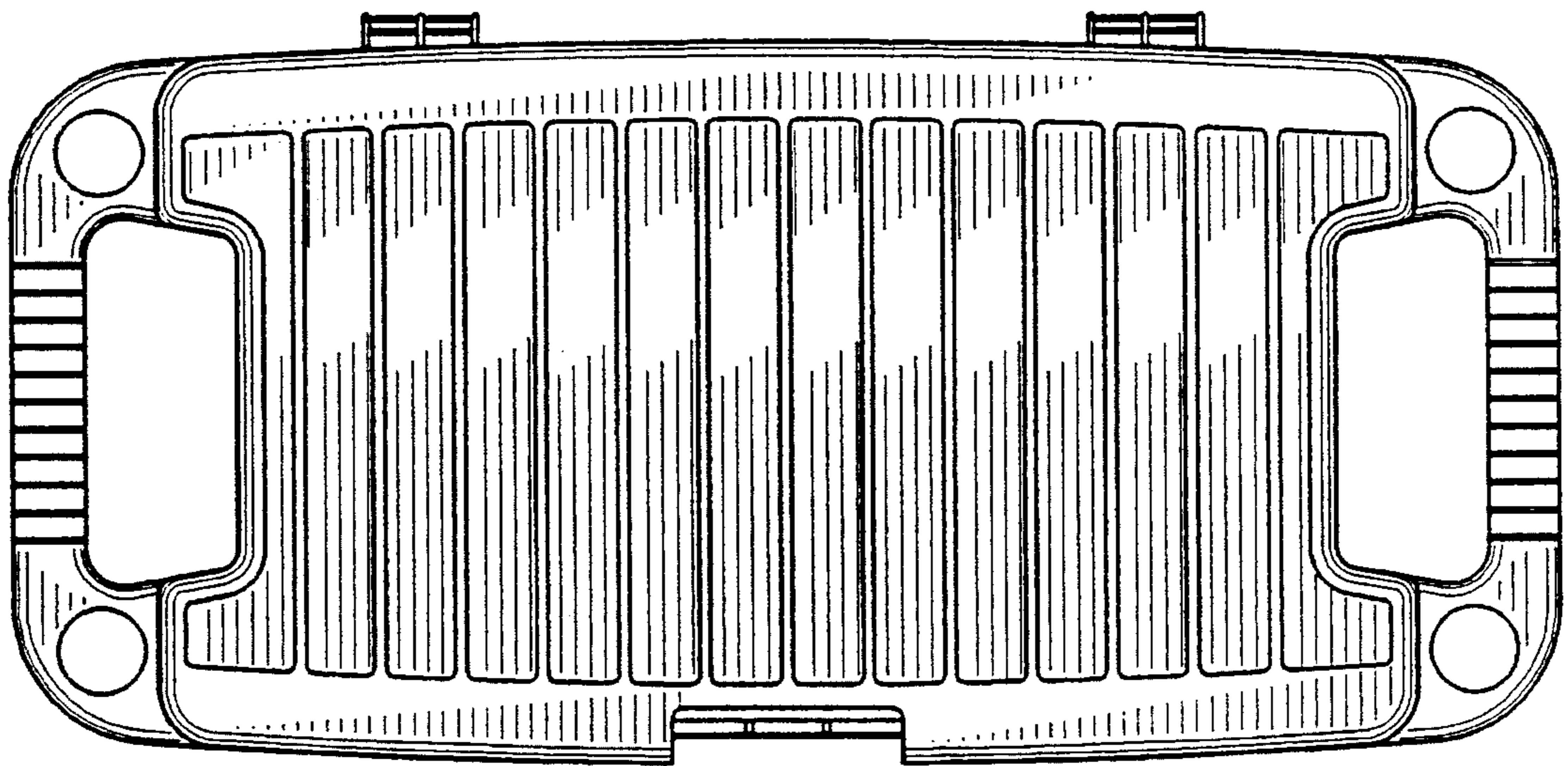


FIG. 2

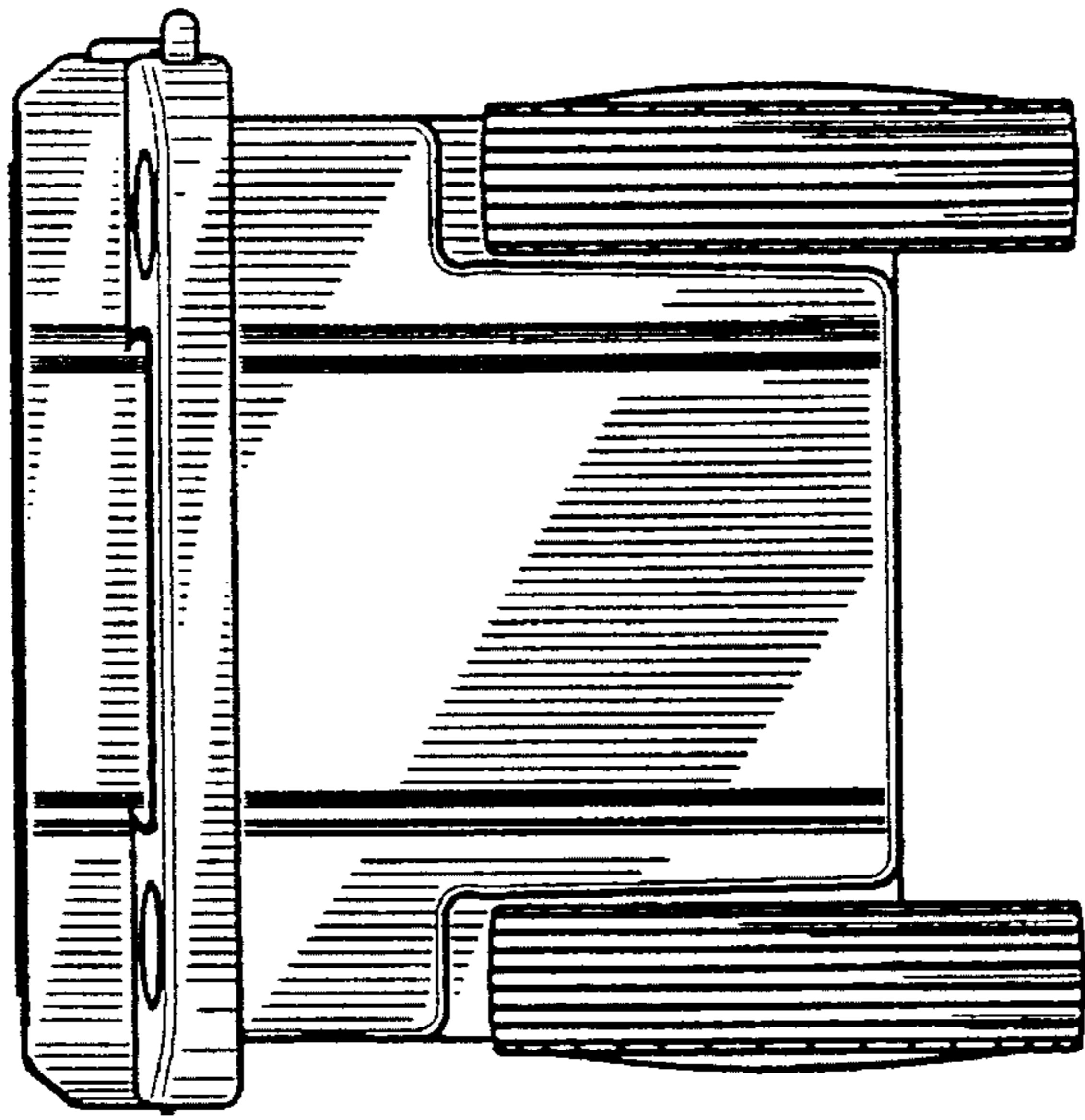


FIG. 4

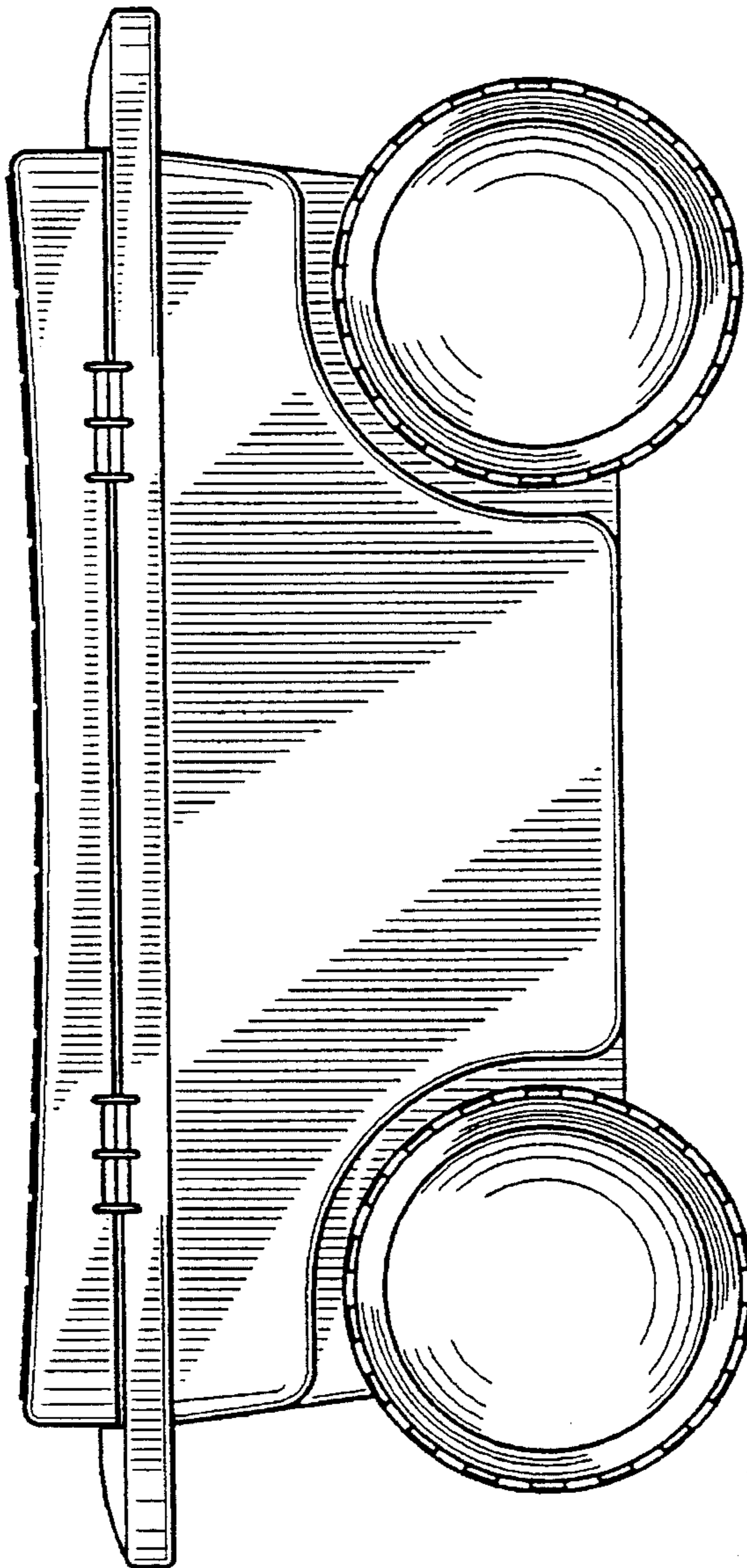


FIG. 3