



US00D365903S

United States Patent [19]

[11] Patent Number: **Des. 365,903**

Boyle et al.

[45] Date of Patent: ****Jan. 2, 1996**

[54] GUN TRANSPORT CART

FOREIGN PATENT DOCUMENTS

[76] Inventors: **Rick E. Boyle**, 1431 Victoria Blvd., Rockledge, Fla. 32955; **James D. Bausman**, 2922 Elder St., Titusville, Fla. 32796

883470 12/1961 United Kingdom .

Primary Examiner—Kay H. Chin
Attorney, Agent, or Firm—Richard C. Litman

[**] Term: **14 Years**

[57] CLAIM

[21] Appl. No.: **37,918**

The ornamental design for a gun transport cart, as shown and described.

[22] Filed: **Apr. 24, 1995**

DESCRIPTION

[52] U.S. Cl. **D34/15; D34/24**

[58] Field of Search D34/12-27; 280/47.19, 280/47.26, DIG. 6

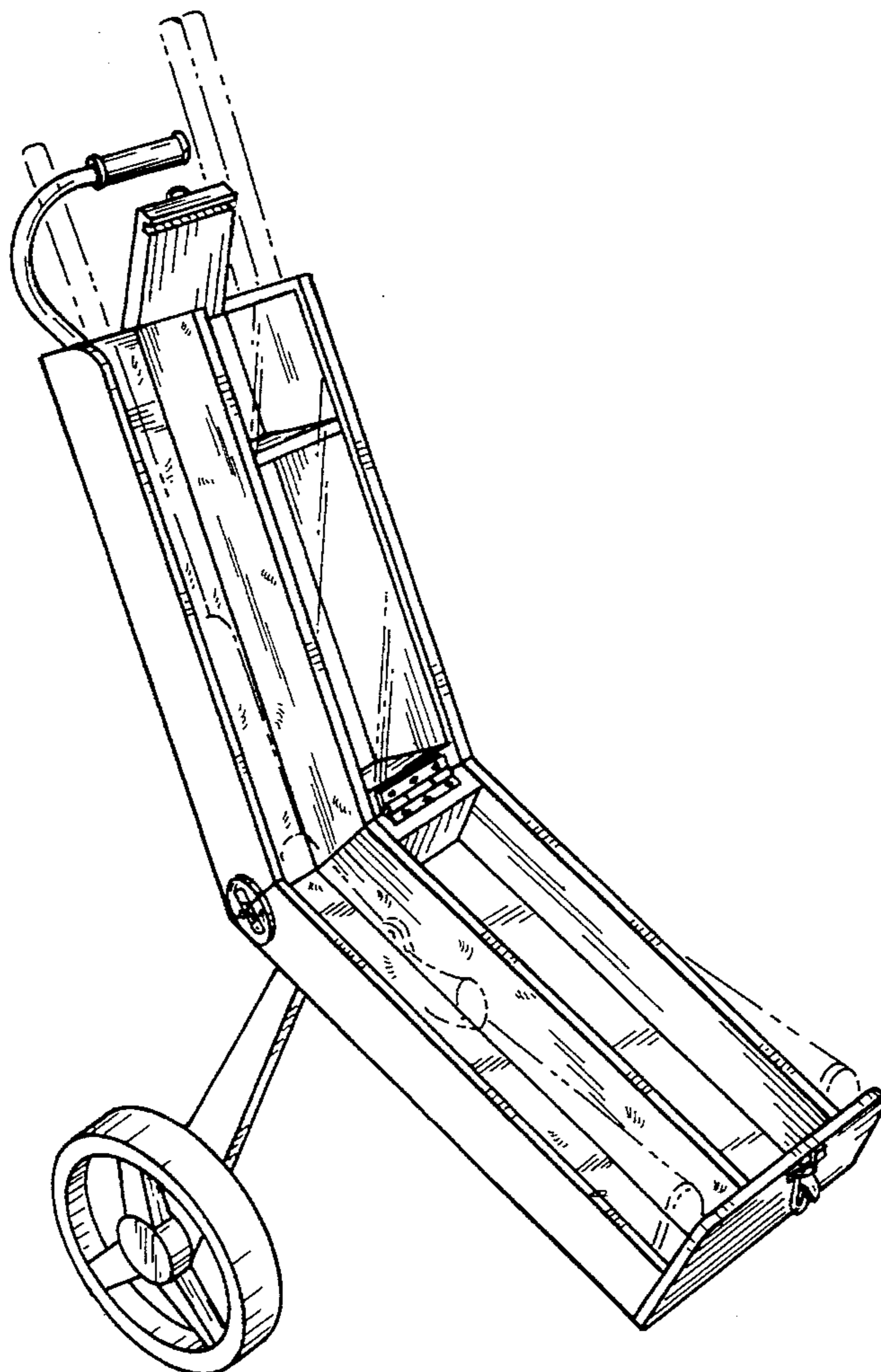
FIG. 1 is an environmental perspective view of a gun transport cart in an open position showing my new design; FIG. 2 is a right side view thereof; FIG. 3 is a left side view thereof; FIG. 4 is a front view thereof; FIG. 5 is a rear view thereof; FIG. 6 is a top view thereof; FIG. 7 is a bottom view thereof; and, FIG. 8 is a perspective view thereof in a closed position. The broken line showing of firearms in FIG. 1 is for illustrative purposes only and forms no part of the claimed design.

[56] References Cited

U.S. PATENT DOCUMENTS

2,857,168	10/1958	Neaverson et al. .	
3,039,783	6/1962	Stanley .	
3,172,681	3/1965	Moses	280/47.19
3,647,214	3/1972	Hohmann .	
4,629,202	12/1986	Nelson et al.	280/47.26
4,765,643	8/1988	Pappanikolaou .	
4,836,565	6/1989	Catalo .	
5,168,992	12/1992	Bowdy	280/DIG. 6
5,333,885	8/1994	Pullman .	

1 Claim, 6 Drawing Sheets



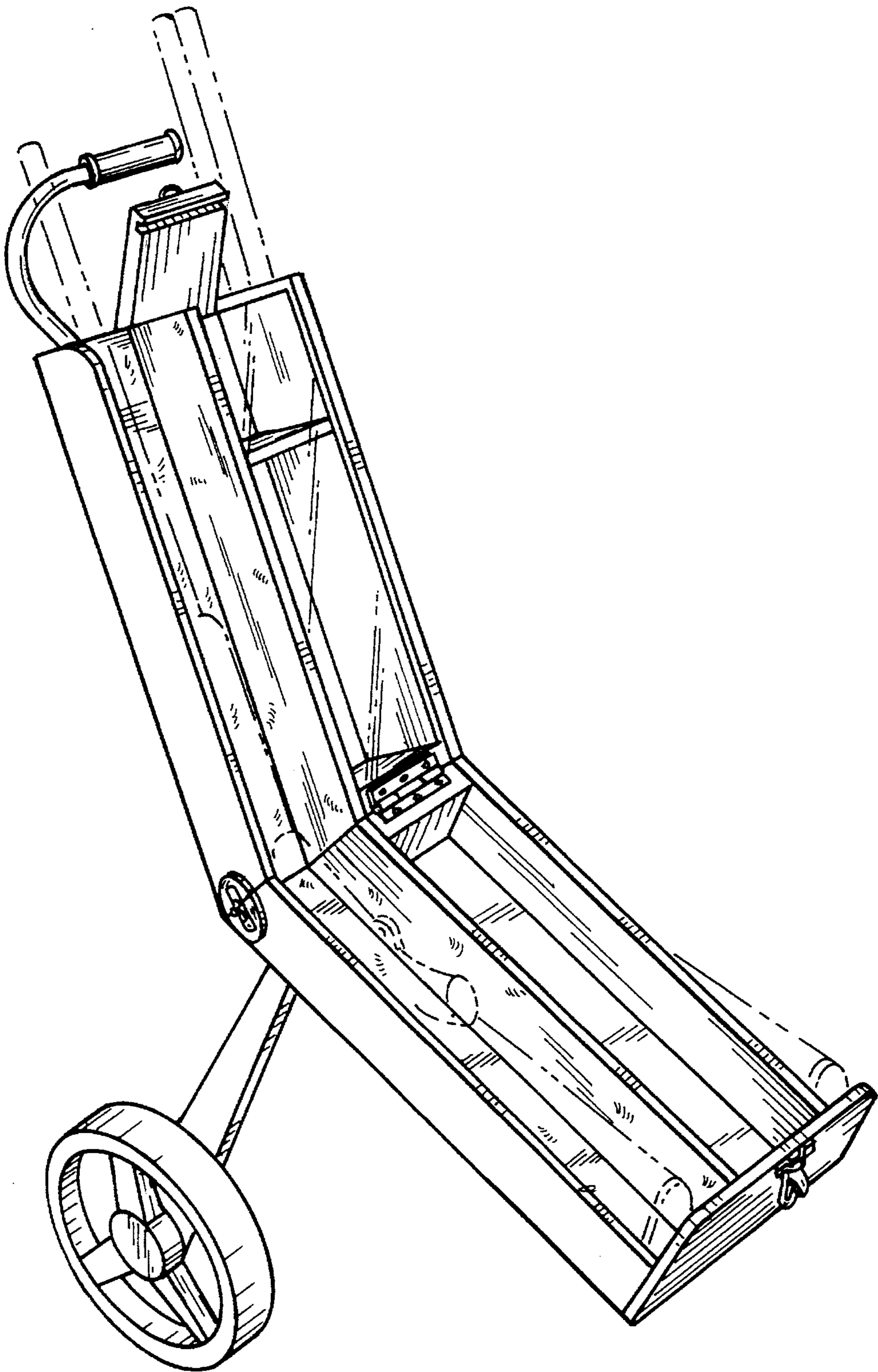


FIG. 1

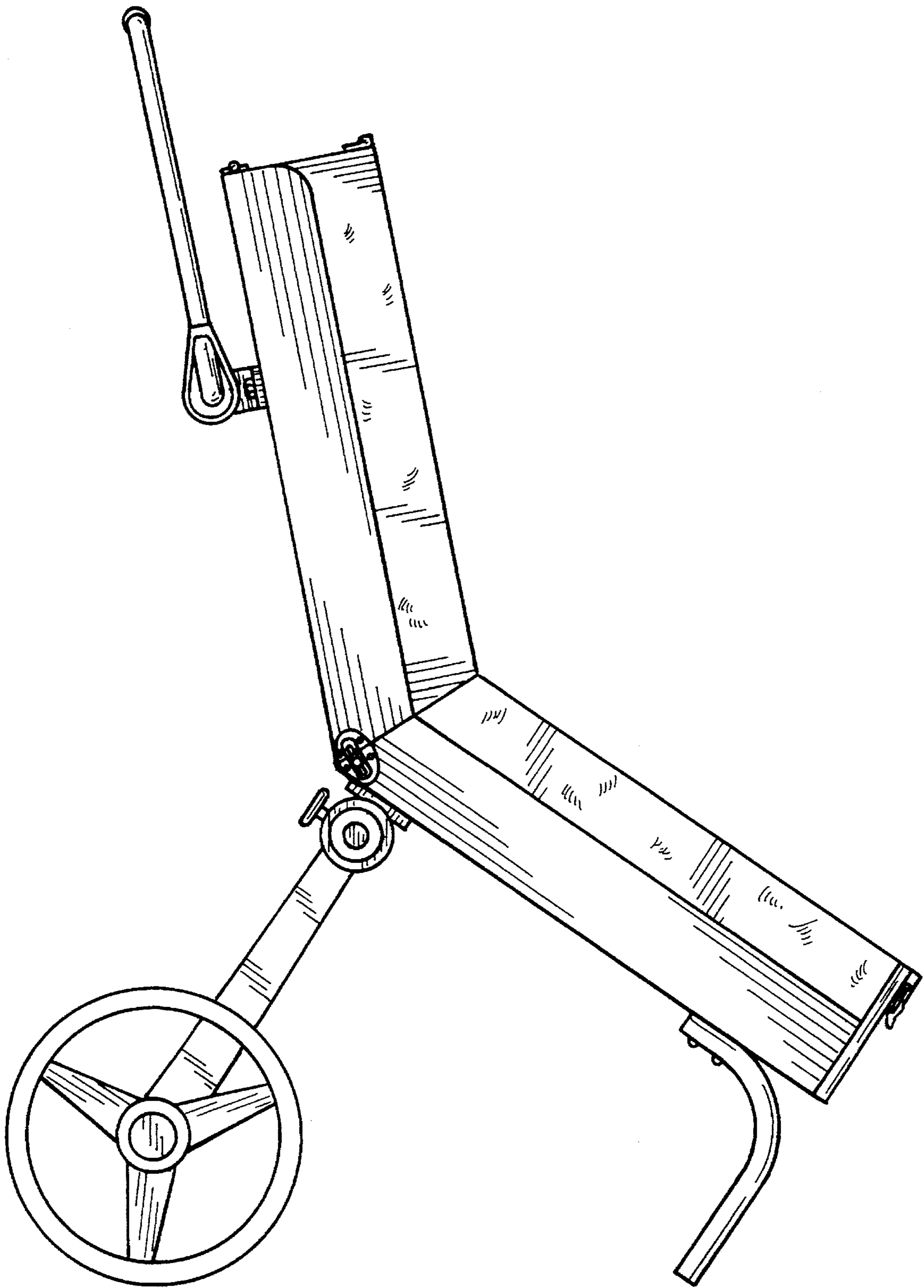


FIG. 2

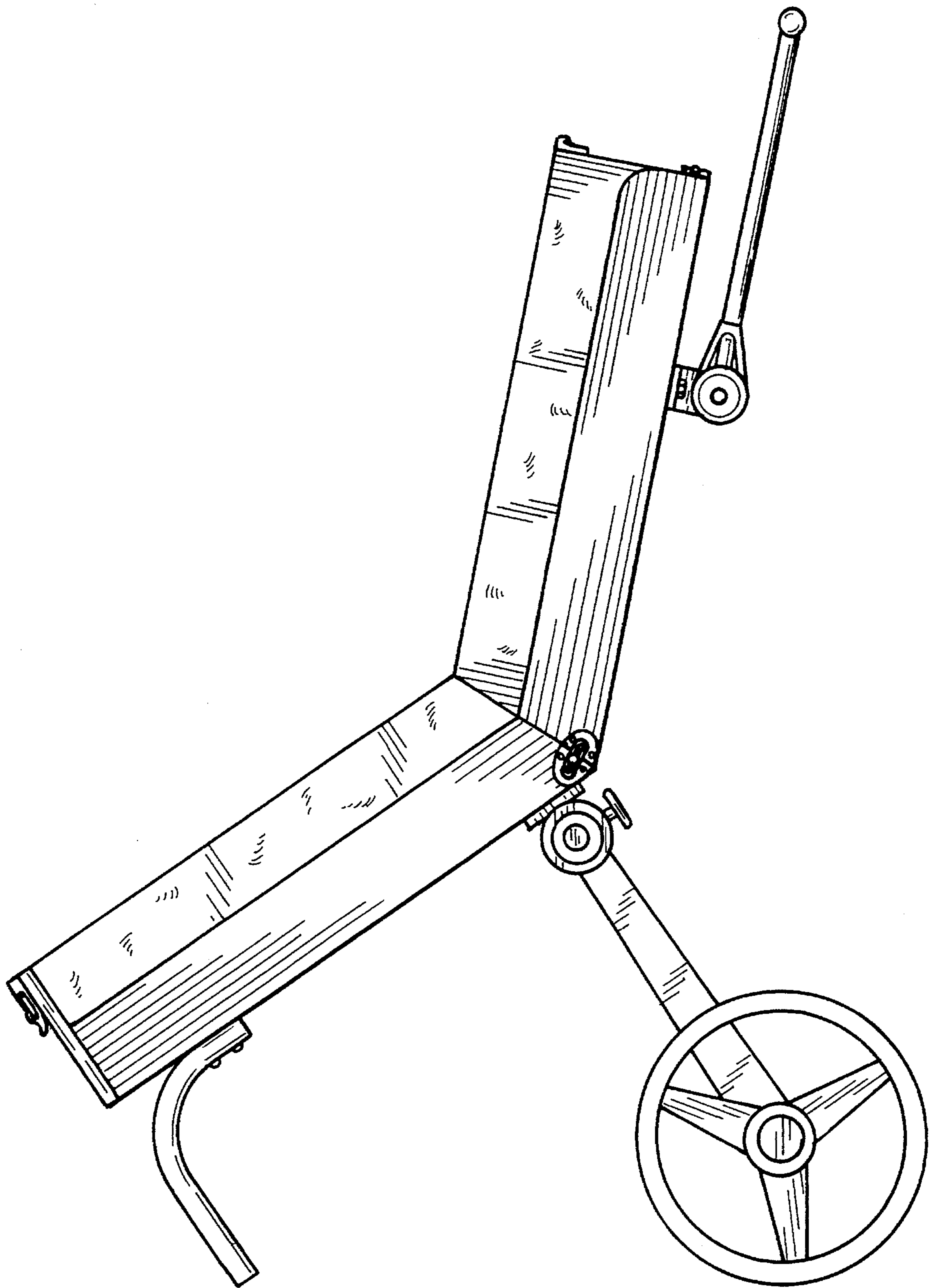


FIG. 3

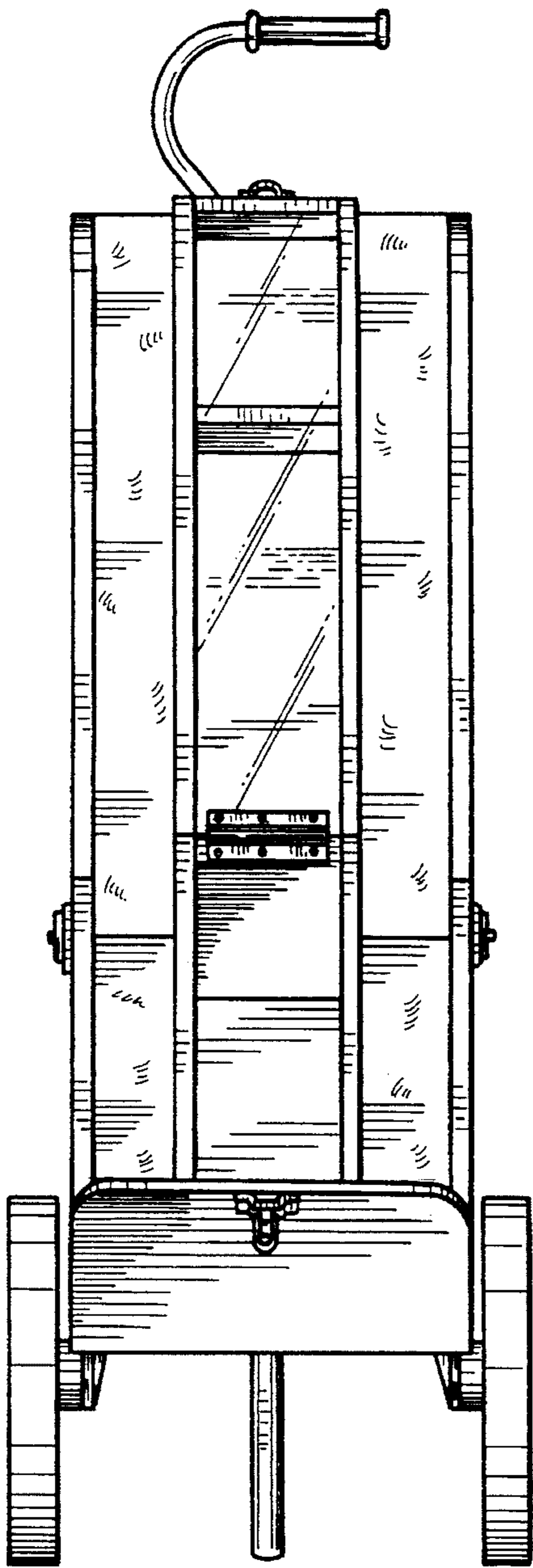


FIG. 4

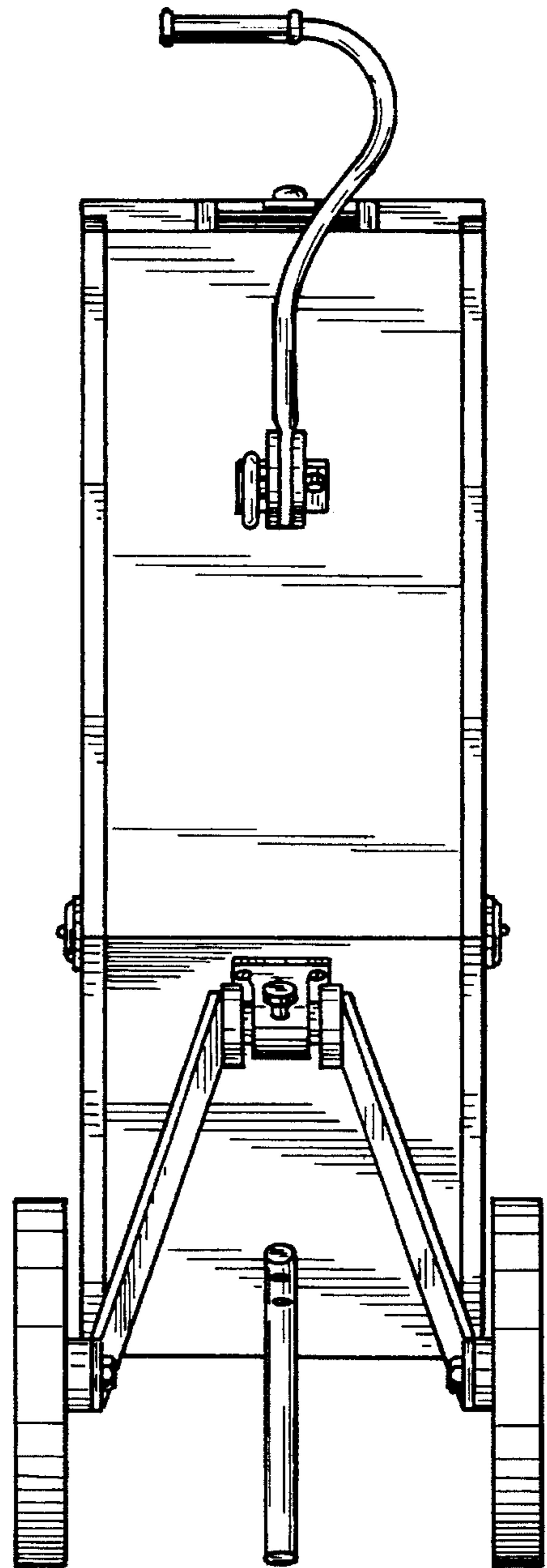


FIG. 5

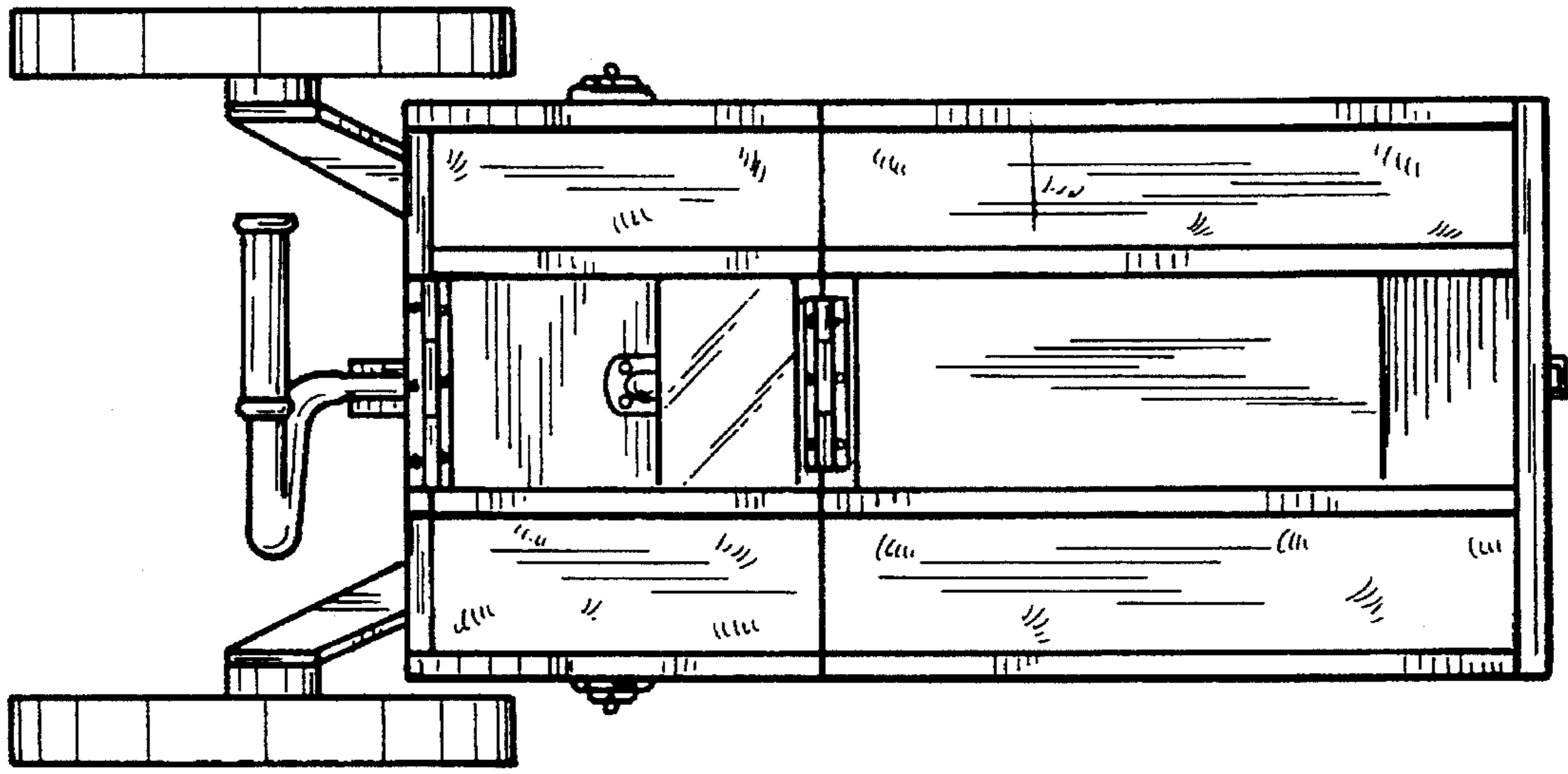


FIG. 6

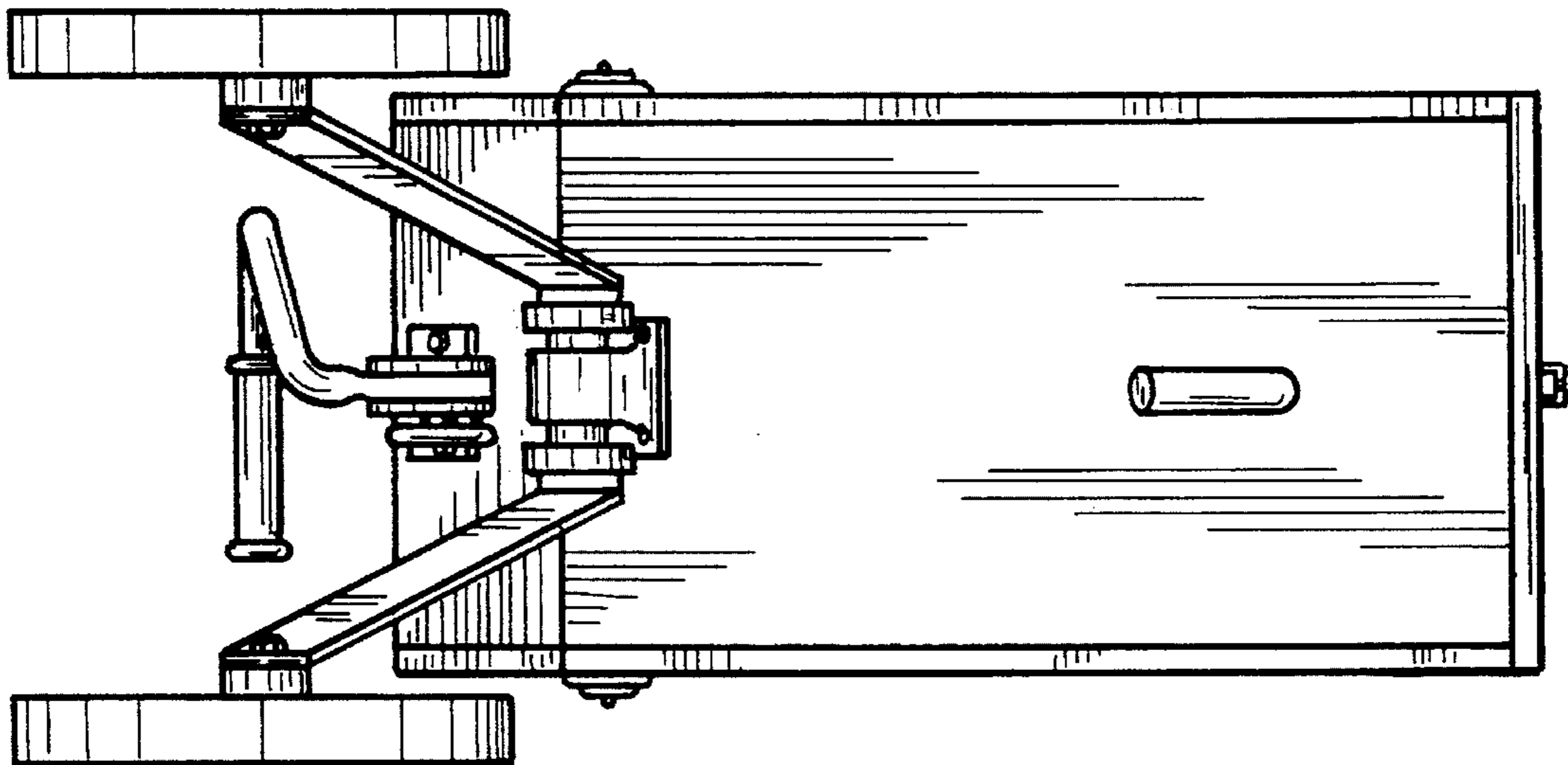


FIG. 7

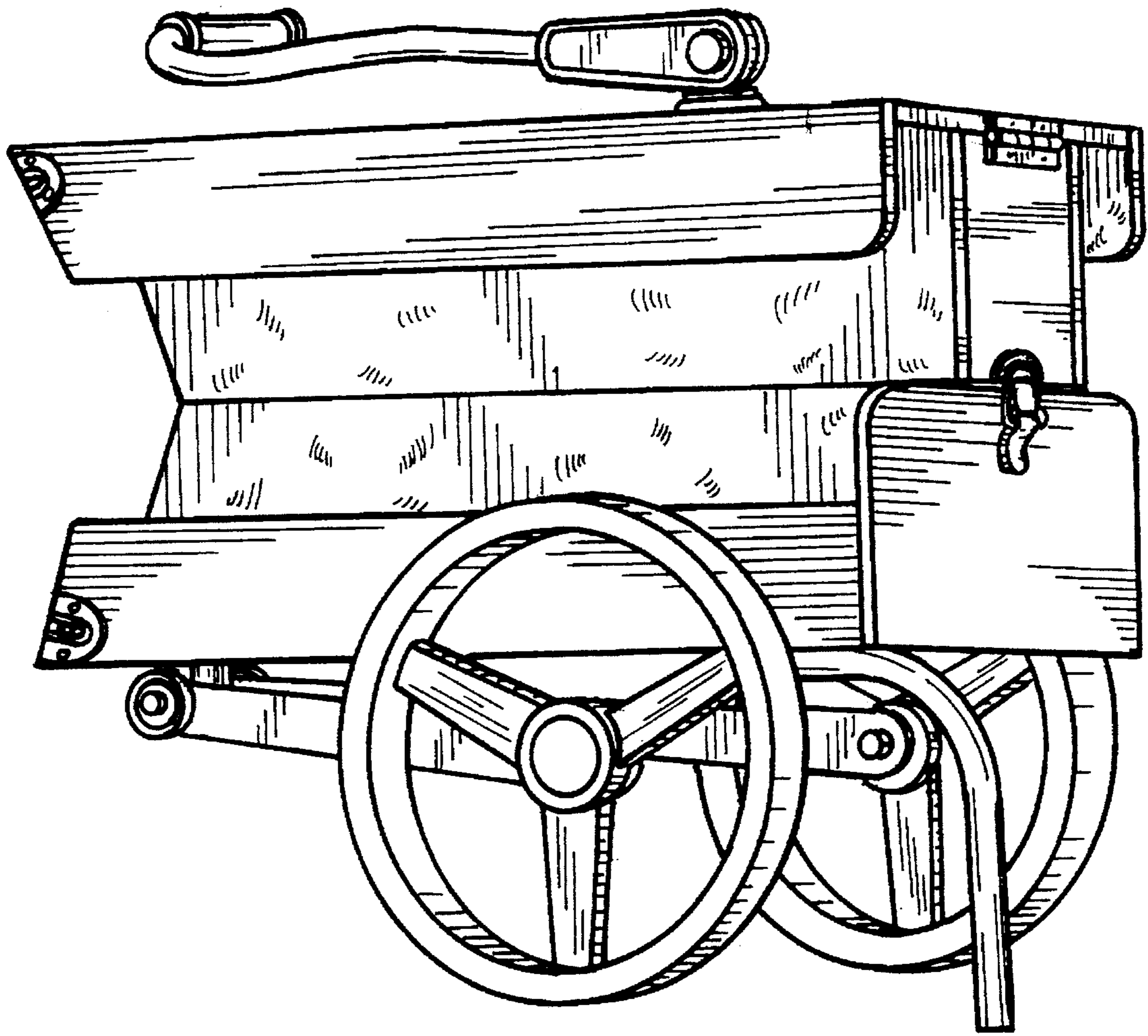


FIG. 8