



US00D365900S

# United States Patent [19]

## Kamm

[11] Patent Number: **Des. 365,900**

[45] Date of Patent: **\*\*Jan. 2, 1996**

[54] HOME RECYCLING SYSTEM

[75] Inventor: **Christian P. Kamm**, Fairview Park, Ohio

[73] Assignee: **Wilkinson Company, Inc.**, Stow, Ohio

[\*\*] Term: **14 Years**

[21] Appl. No.: **13,850**

[22] Filed: **Oct. 4, 1993**

[52] U.S. Cl. .... **D34/1**

[58] Field of Search ..... D34/1, 5, 6, 10; 232/43.2; 220/908, 909, 500, 553

### [56] References Cited

#### U.S. PATENT DOCUMENTS

D. 312,159	11/1990	Martin	.....	D34/1
D. 330,446	10/1992	Verzicco	.....	D34/1
D. 345,038	3/1994	DeWeese	.....	D34/1
D. 349,997	8/1994	Ullmann	.....	D34/1
4,126,241	11/1978	Klosk	.....	220/908
4,974,746	12/1990	Dickinson	.....	220/500

5,221,010	6/1993	Bianco	.....	220/909
5,242,220	9/1993	Sandreth	.....	220/909

*Primary Examiner*—Brian N. Vinson  
*Assistant Examiner*—Robin V. Taylor  
*Attorney, Agent, or Firm*—Vickers, Daniels & Young

### [57] CLAIM

The ornamental design for a home recycle system, as shown and described.

### DESCRIPTION

FIG. 1 is a front perspective view of a home recycle system showing my new design;  
FIG. 2 is a front perspective view thereof, with the doors in open position;  
FIG. 3 is a side elevational view thereof, the other side a mirror image;  
FIG. 4 is a side elevational view thereof, with the doors in open position;  
FIG. 5 is a top plan view thereof;  
FIG. 6 is a top view thereof, with a door in open position;  
FIG. 7 is a rear elevational view thereof.

**1 Claim, 5 Drawing Sheets**

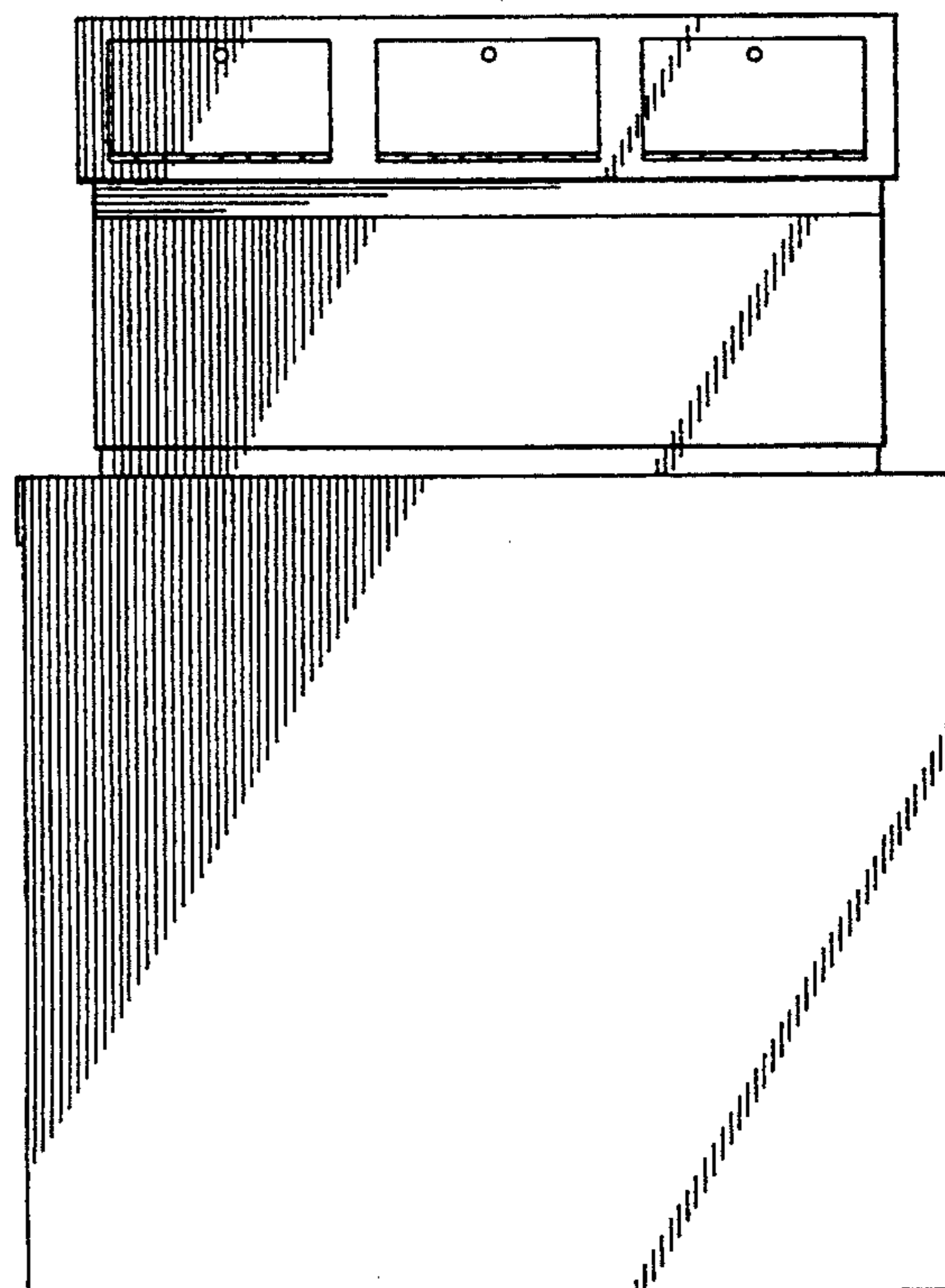
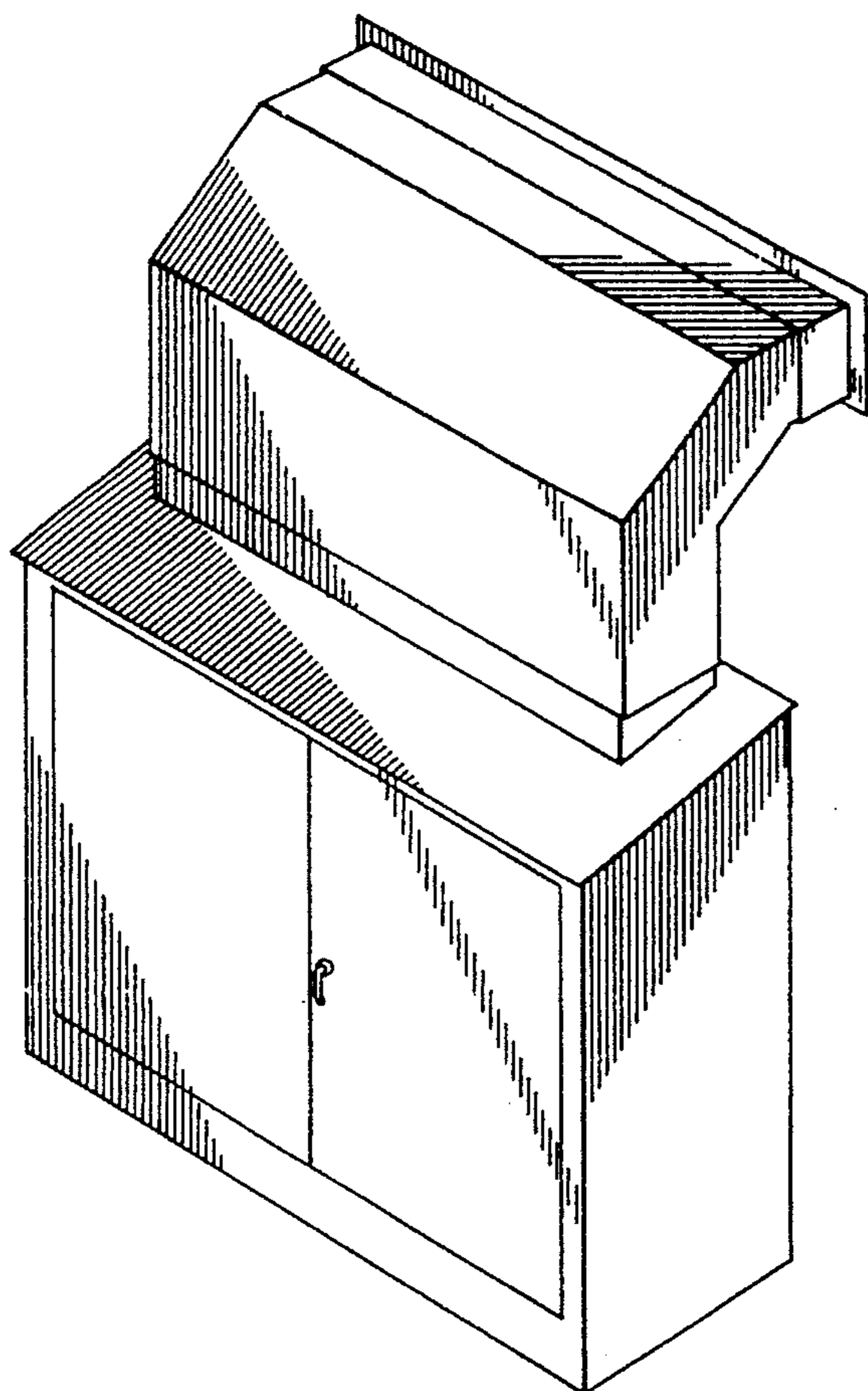


FIG. 1

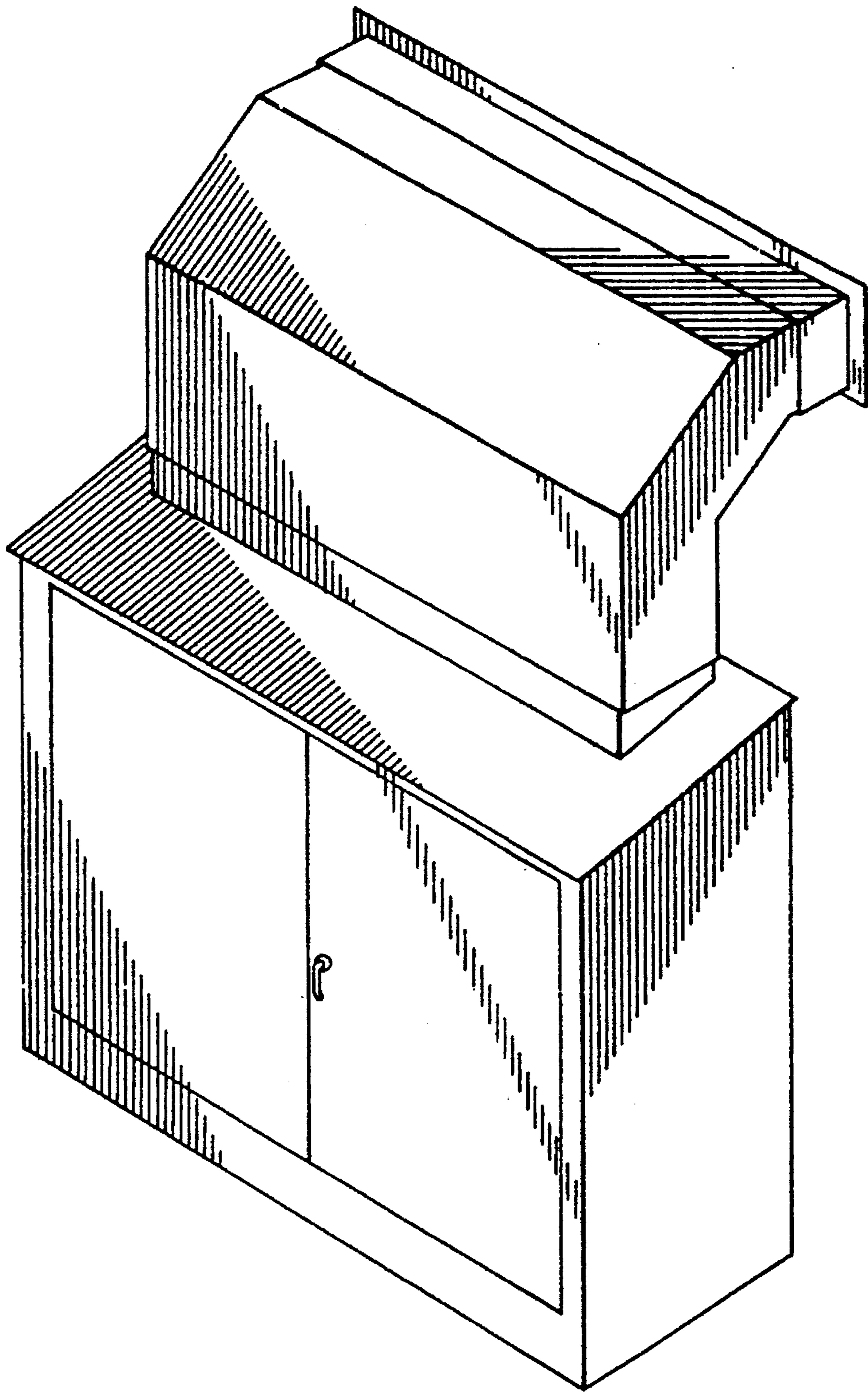
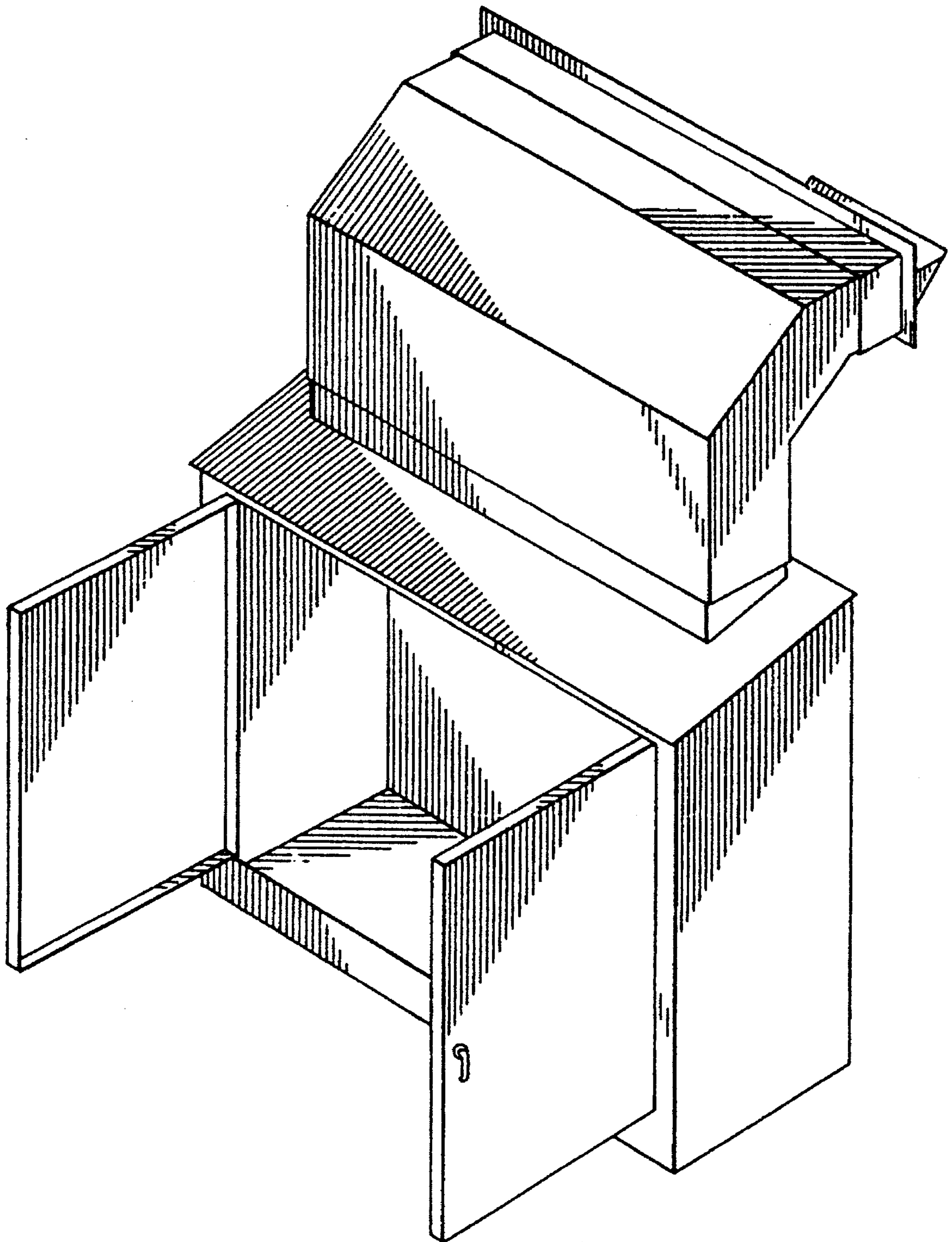


FIG. 2



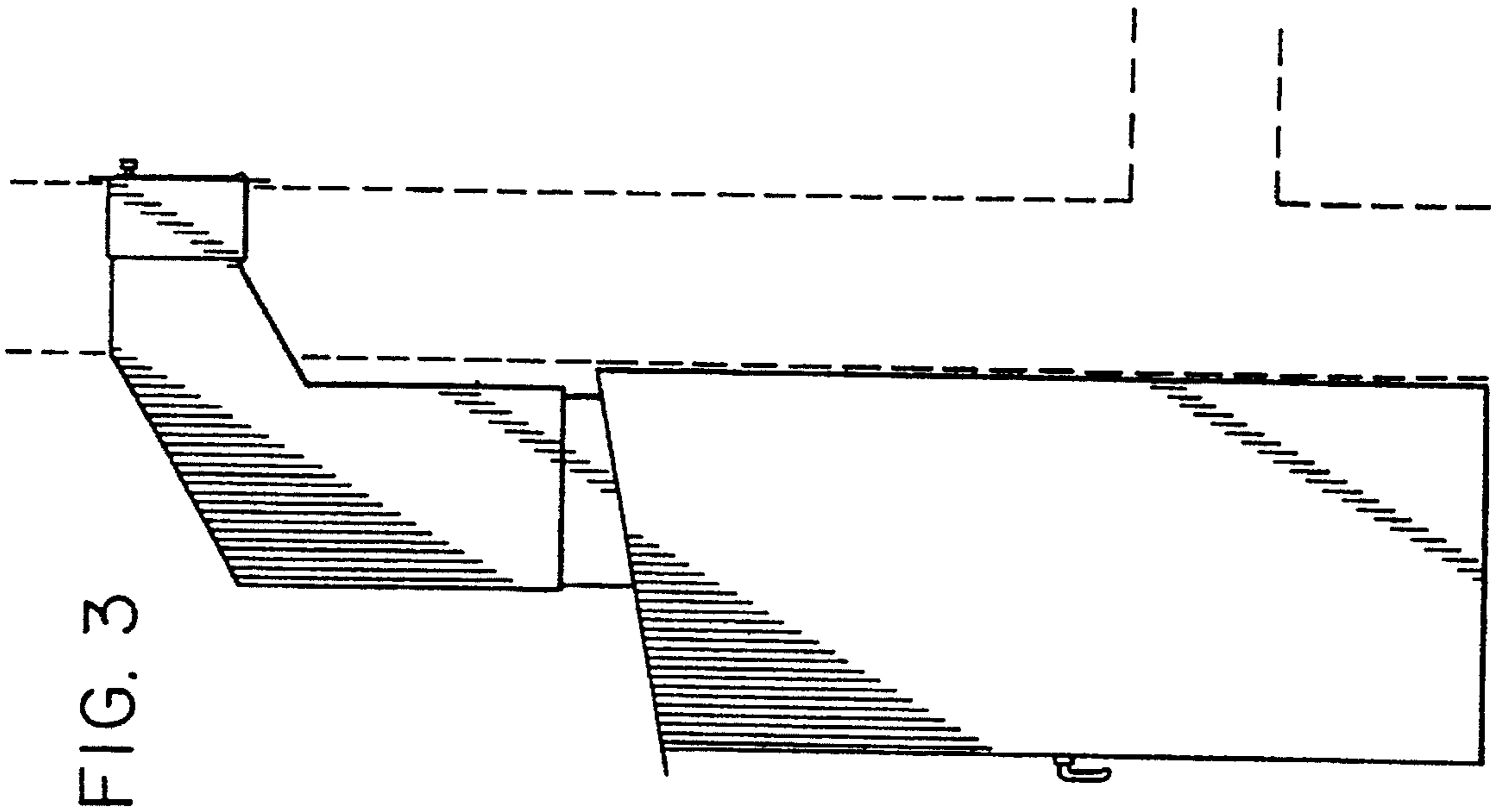
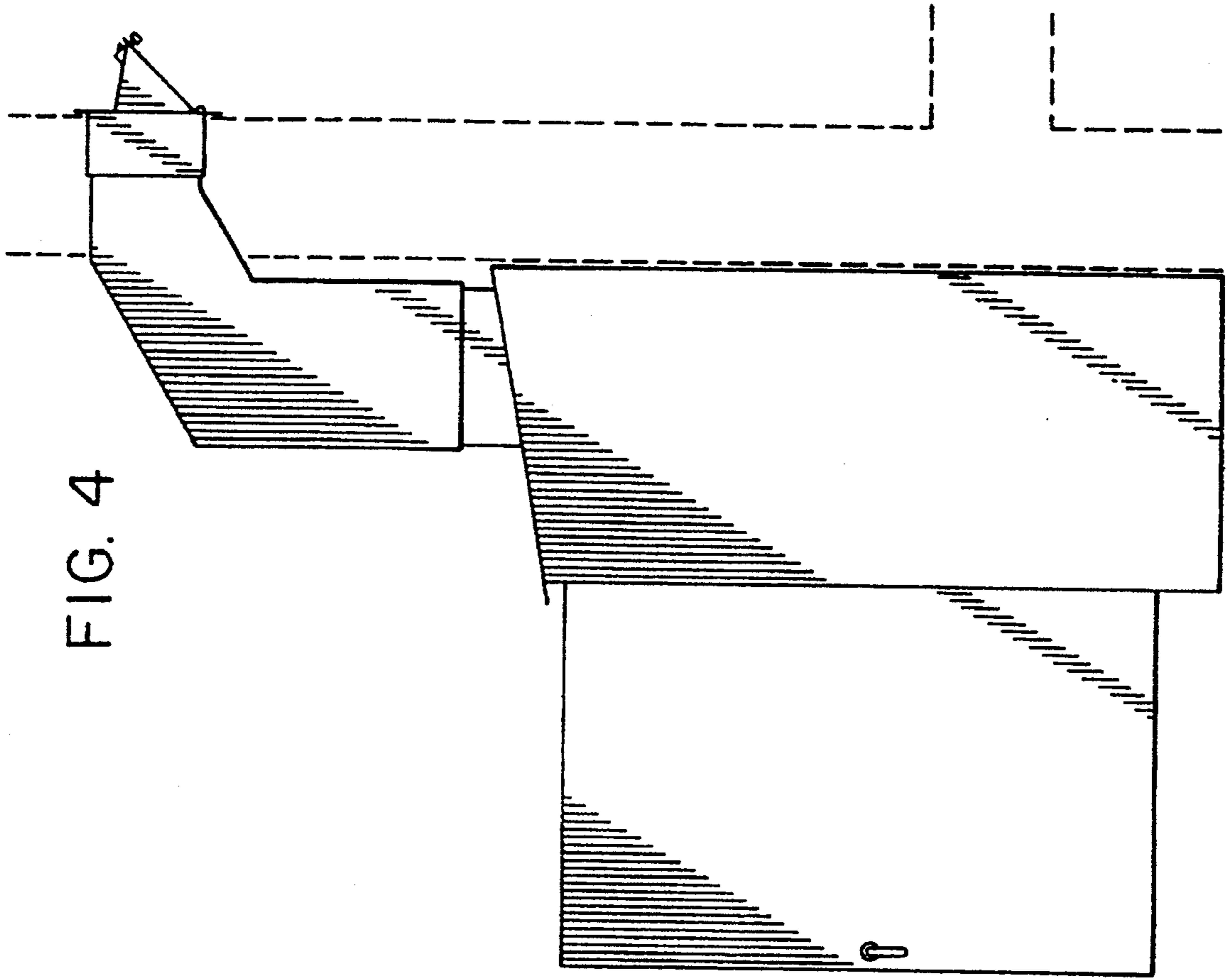


FIG. 5

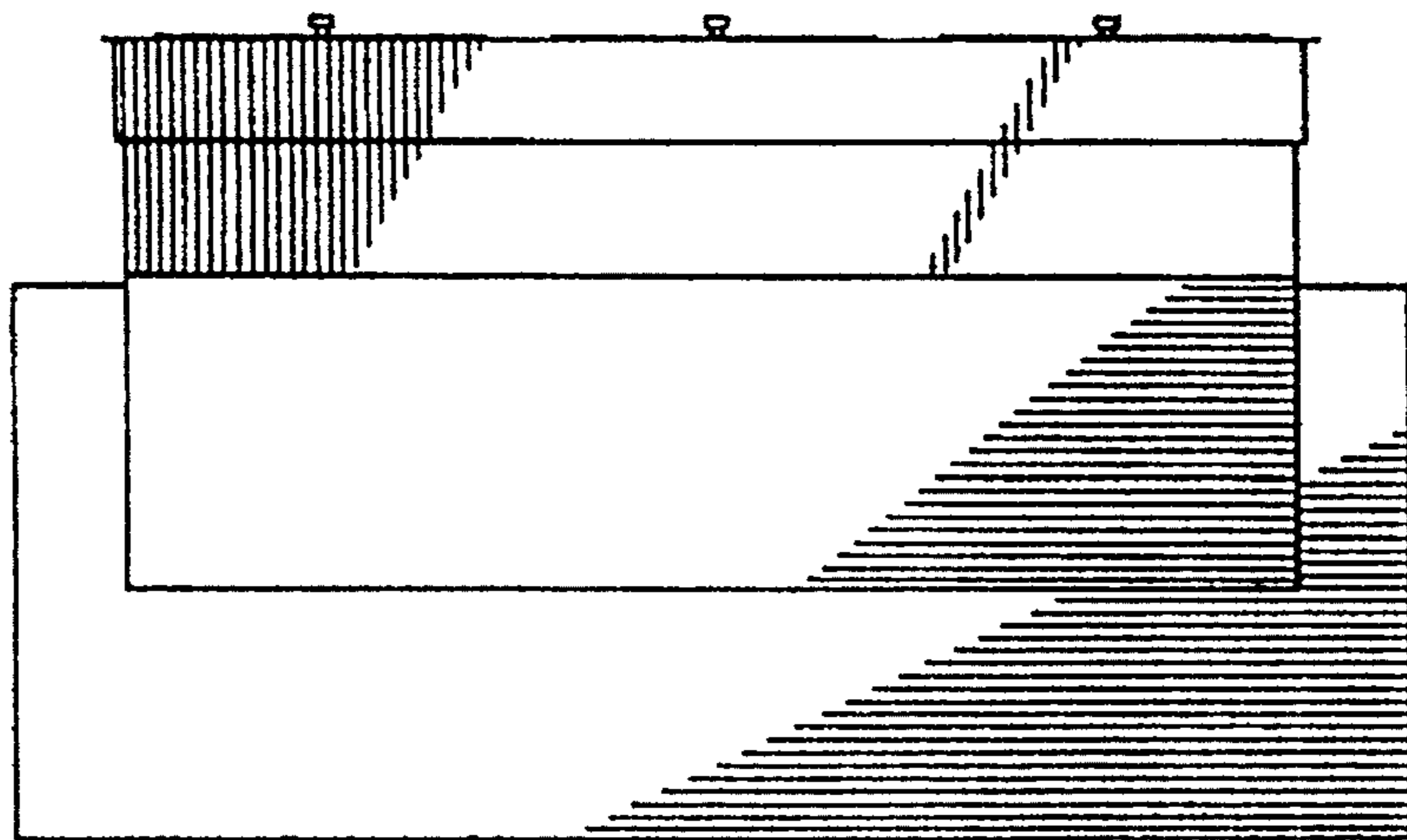


FIG. 6

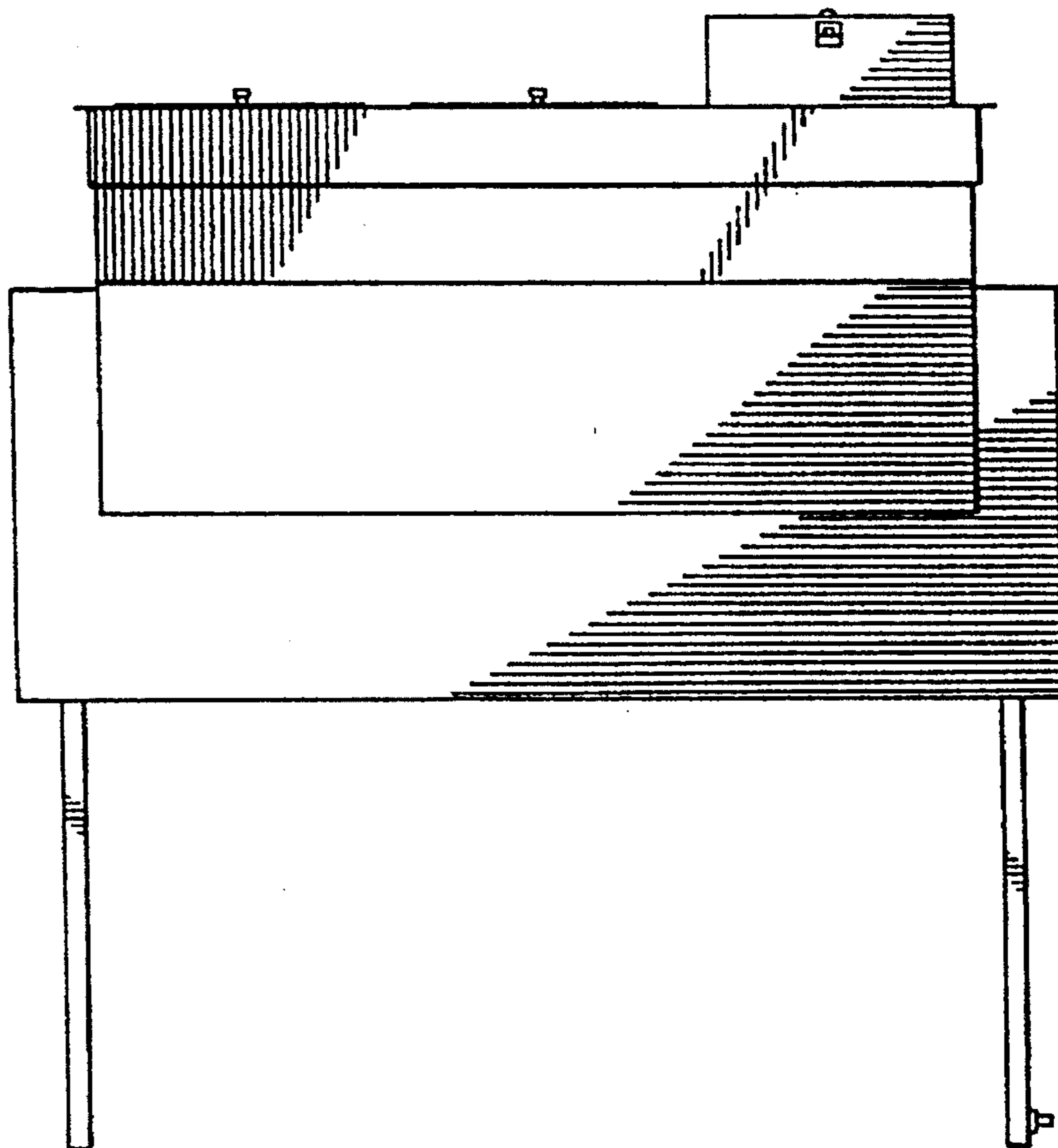


FIG. 7

