



US00D365899S

United States Patent [19]

[11] Patent Number: **Des. 365,899**

Wai

[45] Date of Patent: ****Jan. 2, 1996**

[54] **STEAM IRON**

[75] Inventor: **Choi L. Wai**, Hong Kong, Hong Kong

[73] Assignee: **Goodway Electrical Co. Ltd.**,
Tokwawan, Hong Kong

[**] Term: **14 Years**

[21] Appl. No.: **8,615**

[22] Filed: **May 20, 1993**

[30] Foreign Application Priority Data

Nov. 20, 1992 [GB] United Kingdom 2027249

[52] U.S. Cl. **D32/70**

[58] Field of Search D32/68, 70, 71,
D32/72; 38/69, 74, 75, 77.4, 77.1-77.9,
88; 219/245, 254, 246, 247

[56] References Cited

U.S. PATENT DOCUMENTS

D. 285,376	8/1986	Stutzer et al.	D32/70
D. 290,888	7/1987	Stutzer et al.	D32/70
D. 302,060	7/1989	Barrault	D32/70
D. 302,061	7/1989	Barrault	D32/70
D. 309,516	7/1990	Klok	D32/70
D. 310,439	9/1990	Klok	D32/70

OTHER PUBLICATIONS

U.K. Design Patent Application No. 2019384, filed Dec. 5, 1991.

U.S. Design Patent Application No. 29/000,335, filed Oct. 9, 1992.

U.S. Design Patent Application No. 29/000,343, filed Oct. 9, 1992.

U.S. Design Patent Application No. 29/009,931, filed Jun. 23, 1993.

U.S. Design Patent Application No. 29/000,342, filed Oct. 9, 1992 (now abandoned).

U.K. Application No. 2025688, filed Sep. 14, 1992.

U.K. Application No. 2025656, filed Sep. 11, 1992.

U.K. Application No. 2028078, filed Dec. 31, 1992.

U.K. Application No. 2023828, filed Jun. 24, 1992.

U.K. Application No. 2025444, filed Aug. 27, 1992.

German Application No. M9207456.1, filed Aug. 27, 1992.

U.K. Application No. 1040790, filed Mar. 17, 1987.

U.K. Application No. 1057762, filed Mar. 10, 1989.

U.K. Application No. 2014222, filed Apr. 17, 1991.

U.K. Application No. 2015874, filed Jul. 9, 1991.

U.K. Application No. 2016112, filed Jul. 19, 1991.

U.K. Application No. 2030309, filed Apr. 7, 1993.

U.K. Application No. 2019383, filed Dec. 5, 1991.

Primary Examiner—Susan J. Lucas

Assistant Examiner—Cynthia E. Ramirez

Attorney, Agent, or Firm—Klarquist Sparkman Campbell
Leigh & Whinston

[57] CLAIM

The ornamental design for a steam iron, as shown and described.

DESCRIPTION

FIG. 1 shows a front view;

FIG. 2 shows a rear view;

FIG. 3 shows a side view;

FIG. 4 shows a view from the other side;

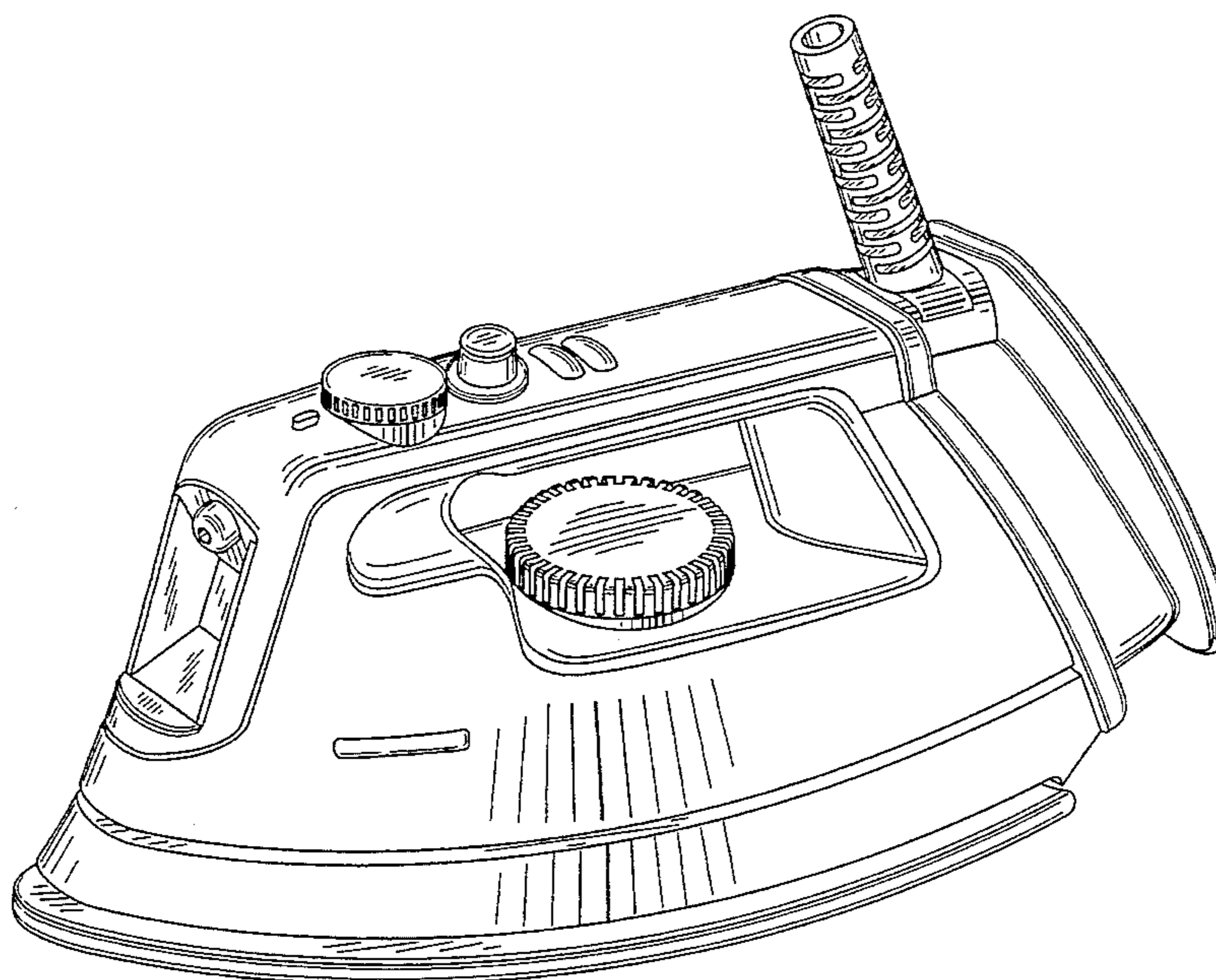
FIG. 5 shows a plan view;

FIG. 6 shows a bottom plan view of a first embodiment of the iron of FIGS. 1 to 5;

FIG. 7 shows a bottom plan view of a second alternative embodiment of the iron of FIGS. 1 to 5 which is the same as the first embodiment except for slight hole pattern revision;

FIG. 8 shows a front, top perspective view.

1 Claim, 8 Drawing Sheets



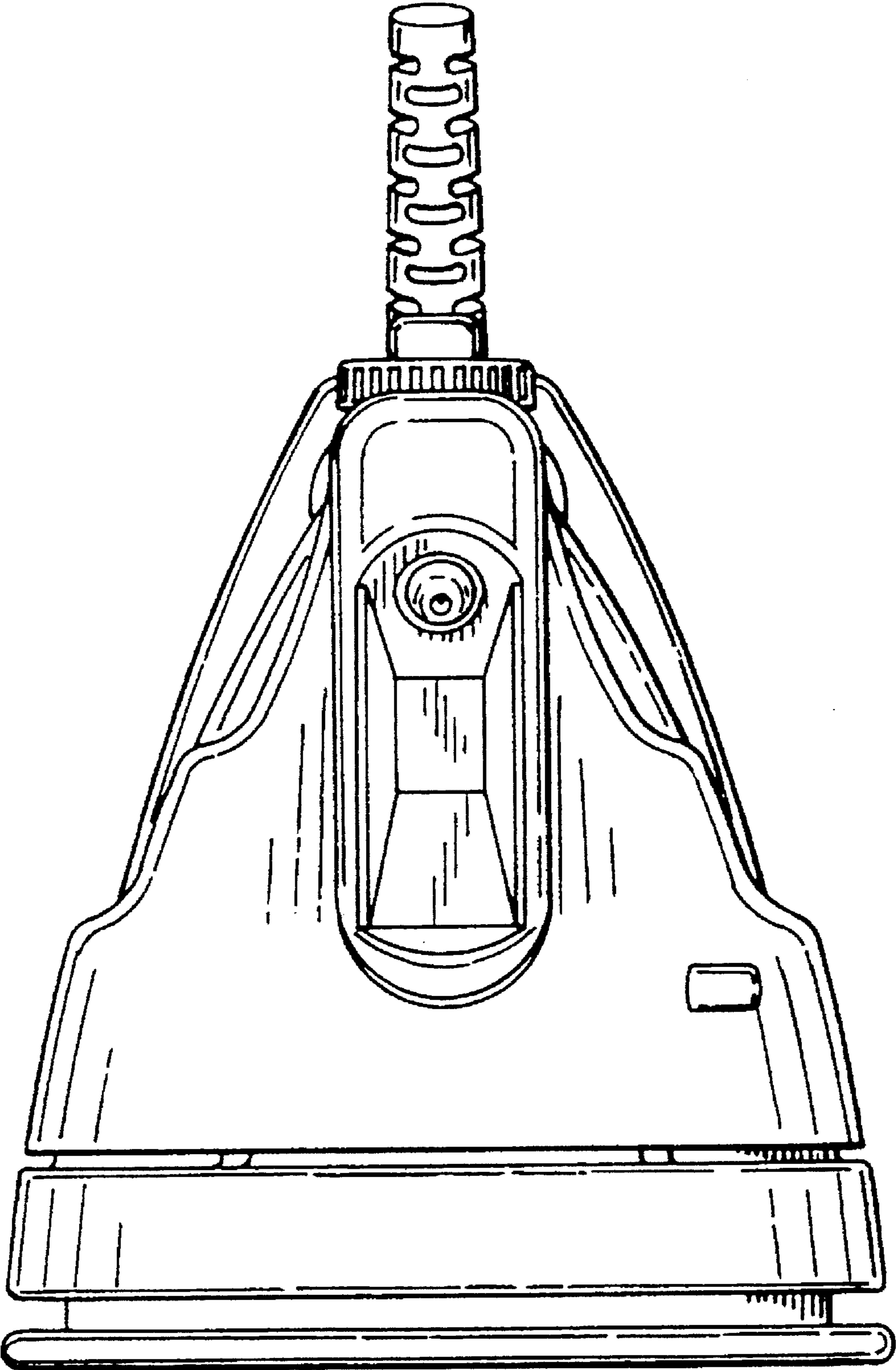


FIG 1

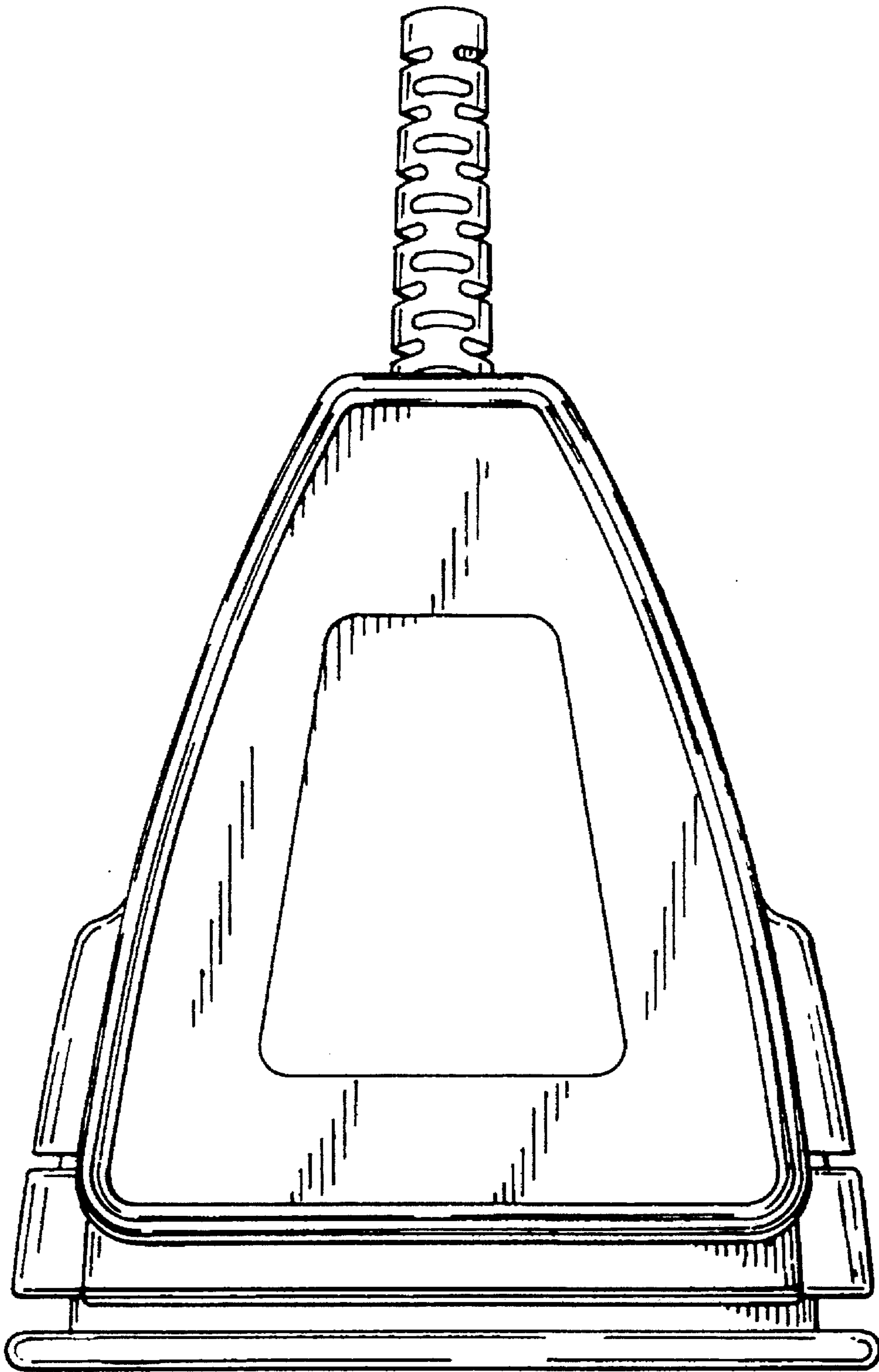


FIG 2

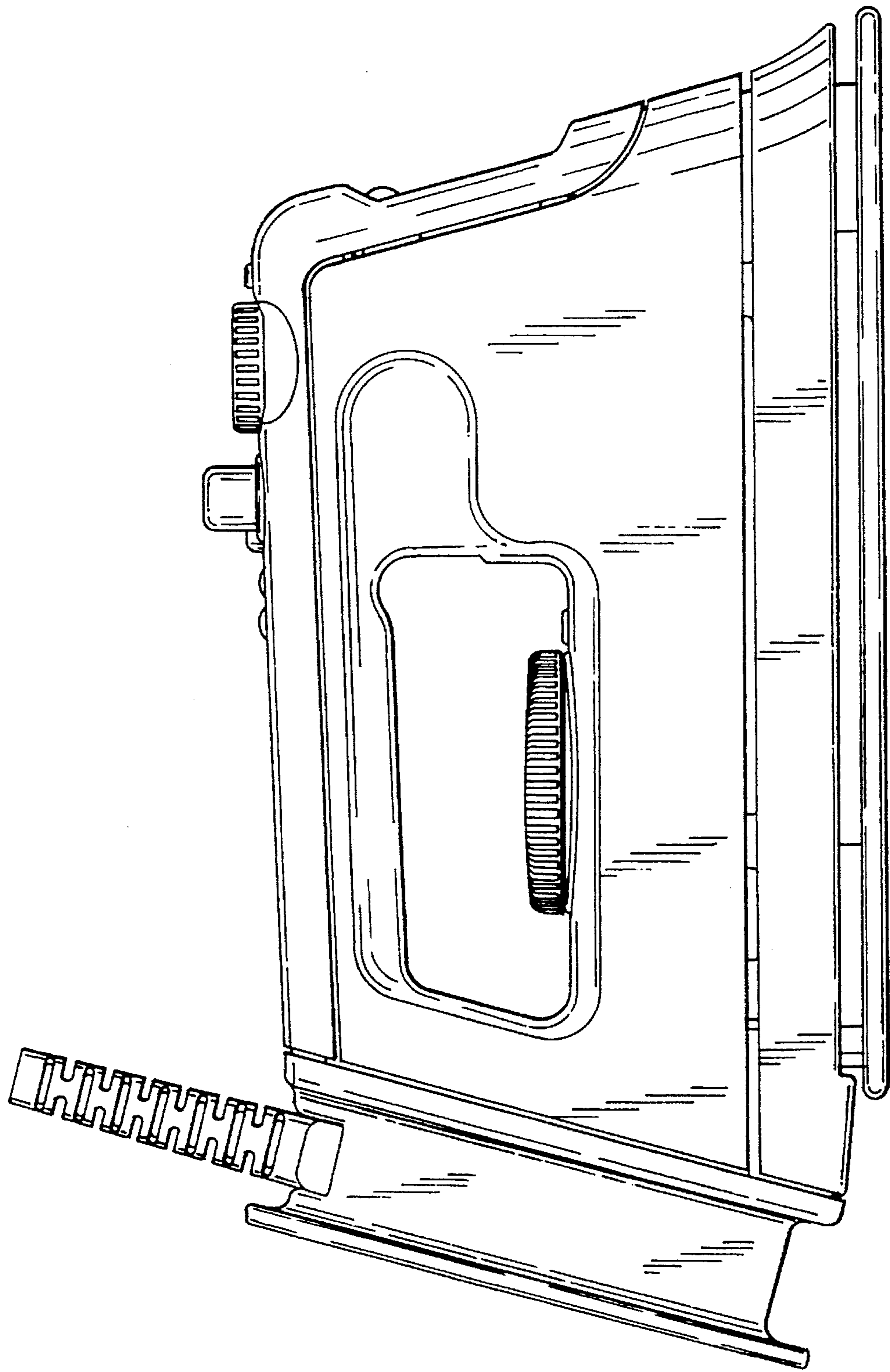


FIG 3

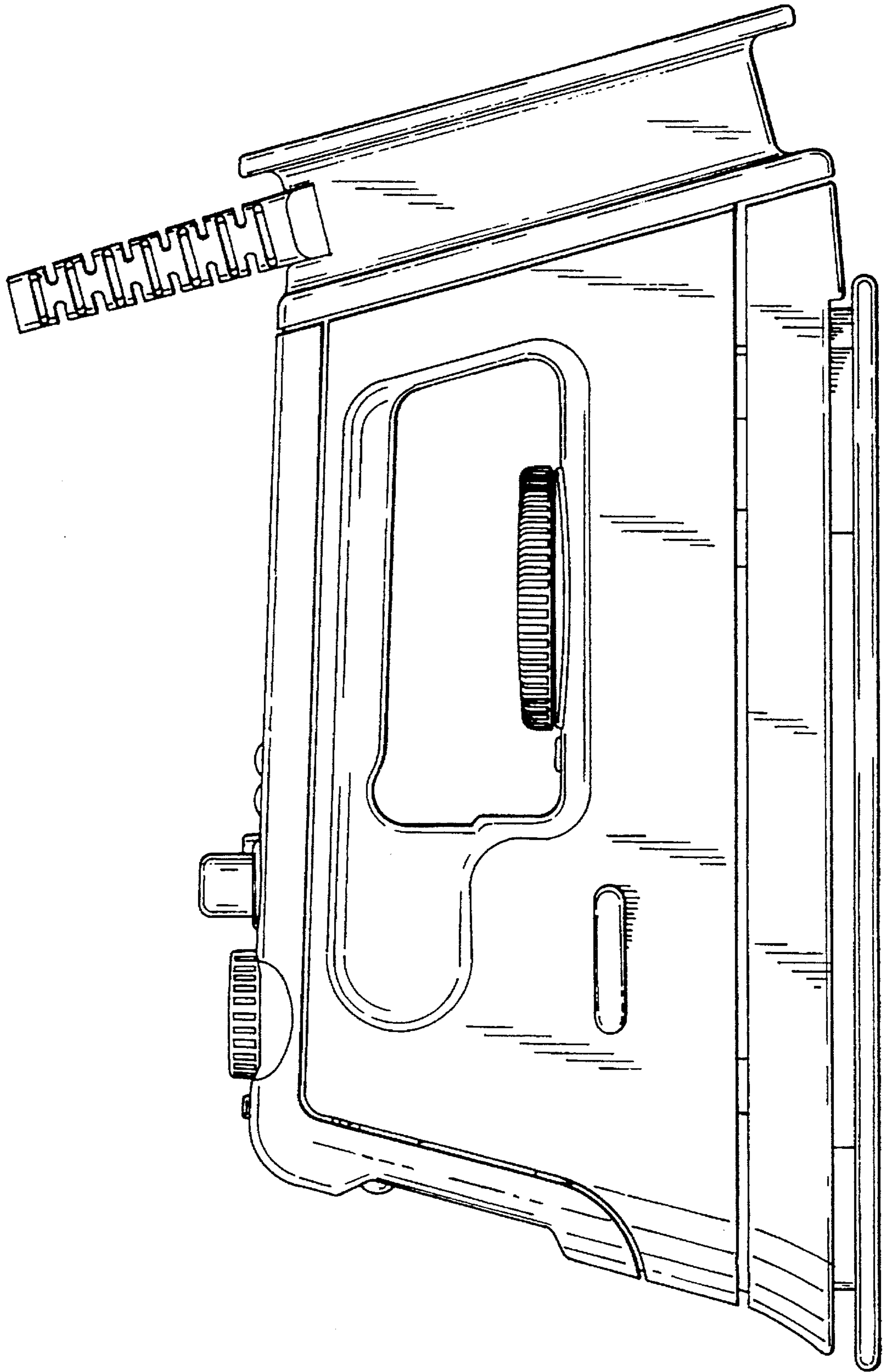


FIG 4

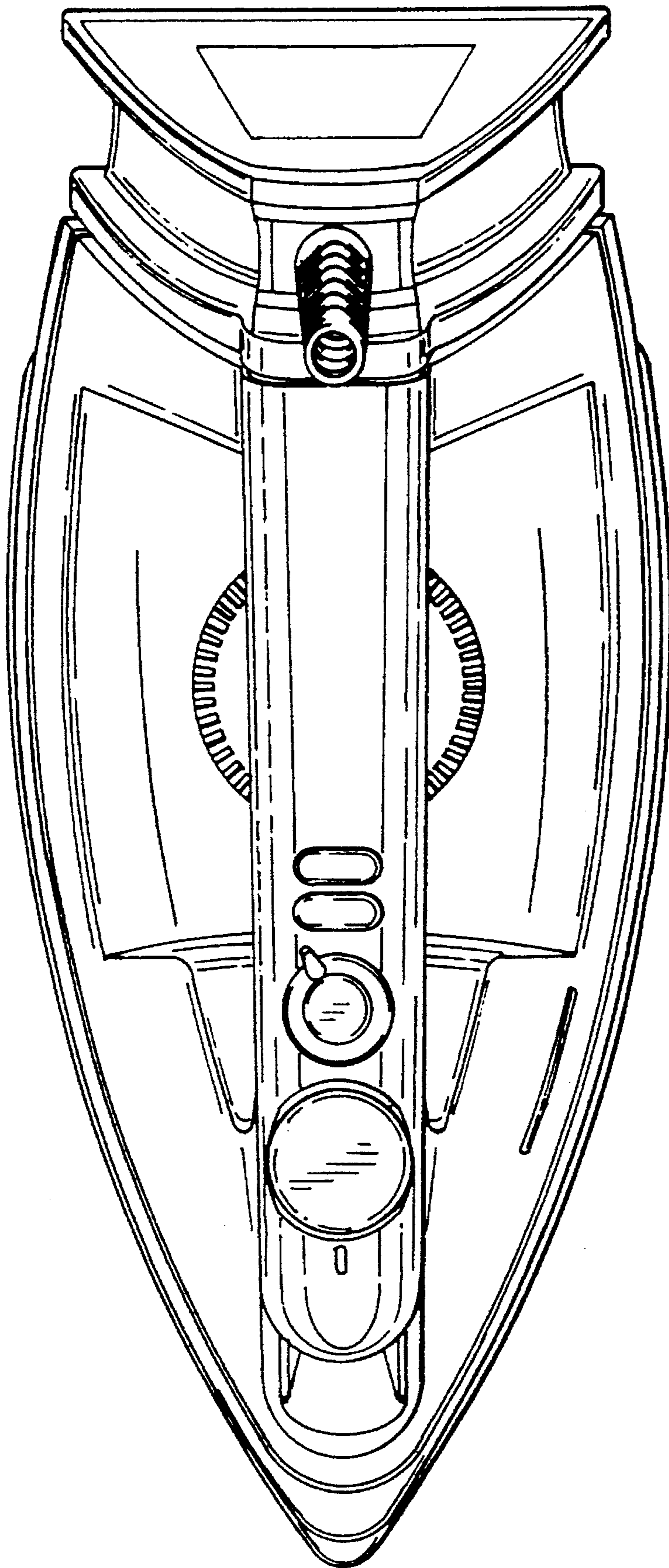


FIG 5

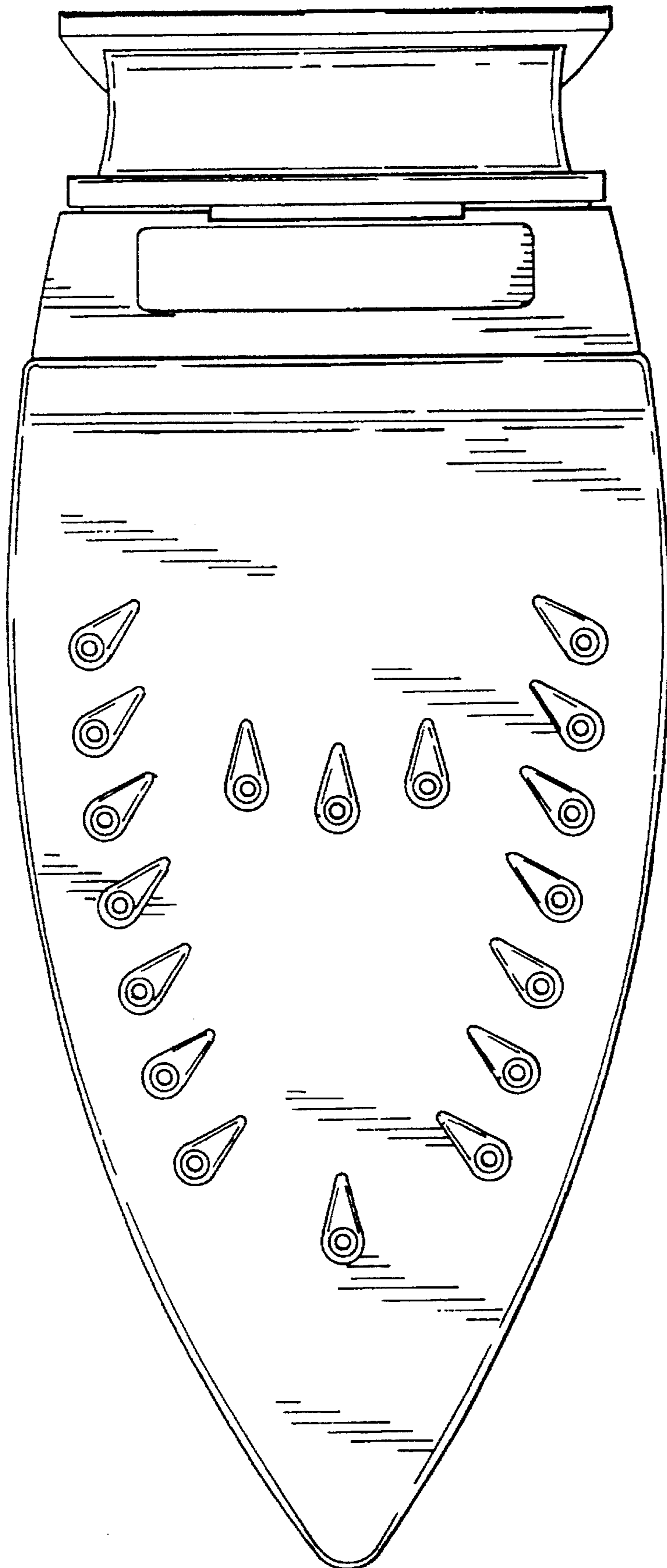


FIG 6

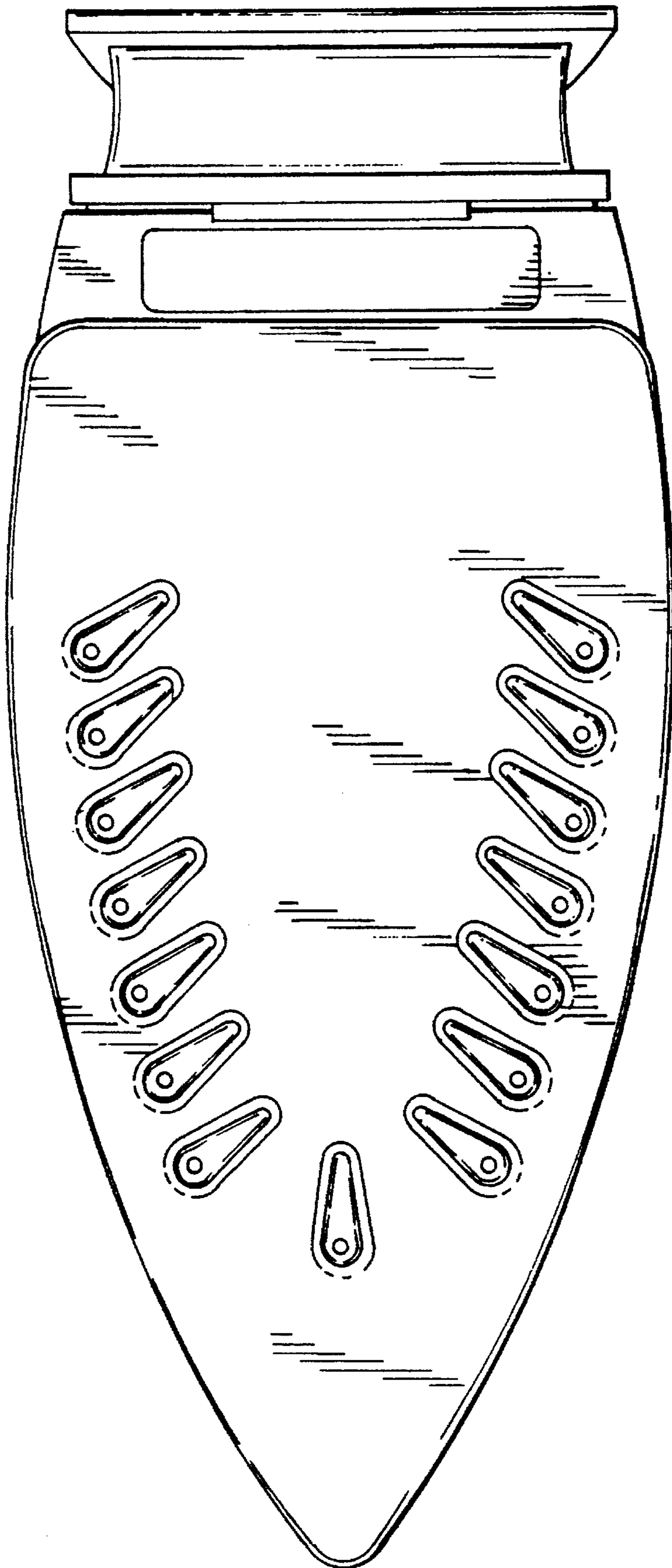


FIG 7

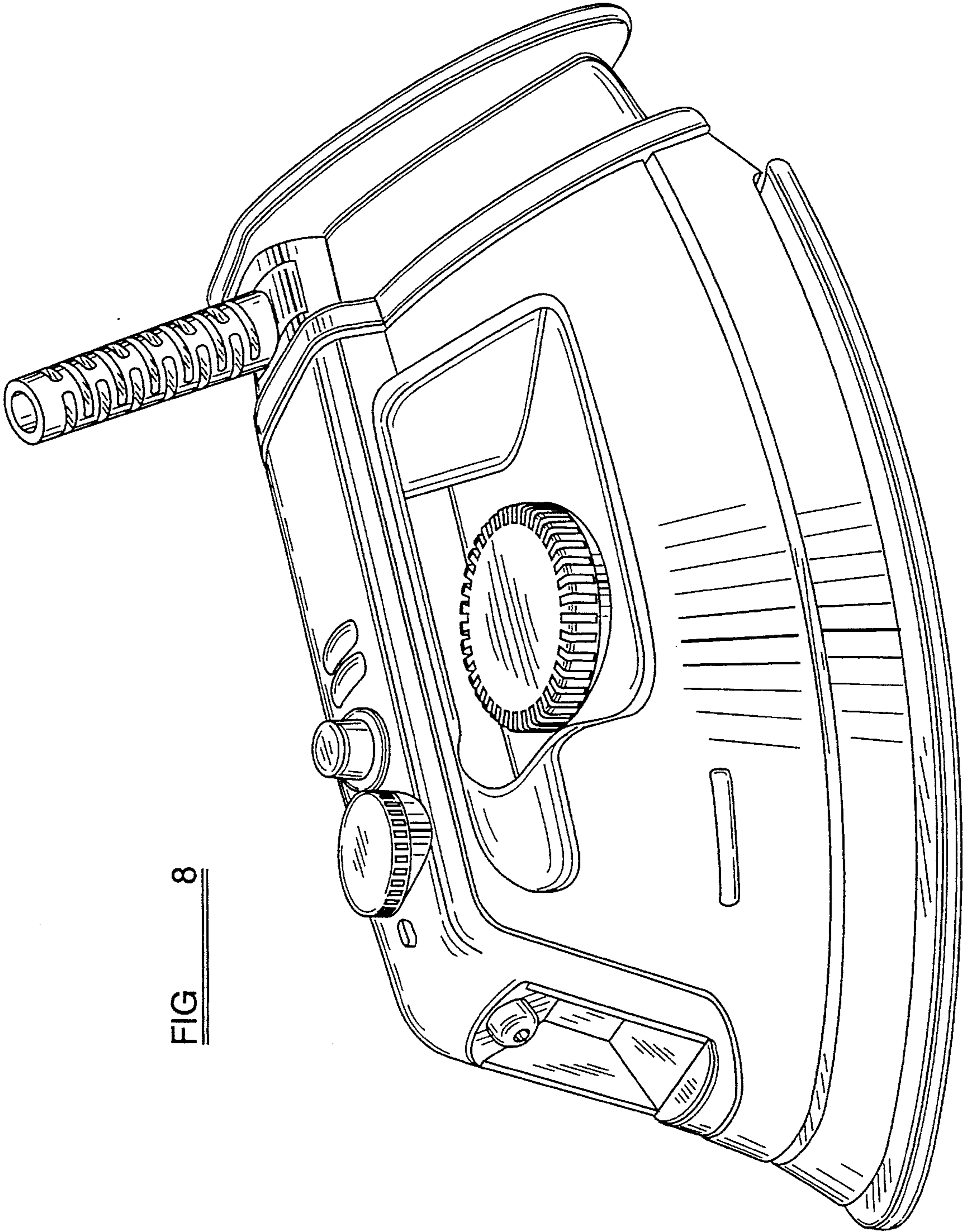


FIG 8

UNITED STATES PATENT AND TRADEMARK OFFICE
CERTIFICATE OF CORRECTION

PATENT NO. : D 365,899

DATED : January 2, 1996

INVENTOR(S) : Choi L. Wai

It is certified that error appears in the above-identified patent and that said Letters Patent is hereby corrected as shown below:

On the title page item [57], In the Claim:
"a stam iron" should read --a Steam Iron.--

Signed and Sealed this
Twenty-third Day of July, 1996

Attest:



BRUCE LEHMAN

Attesting Officer

Commissioner of Patents and Trademarks