



US00D365897S

United States Patent [19]
Pereira

[11] **Patent Number:** **Des. 365,897**

[45] **Date of Patent:** ****Jan. 2, 1996**

[54] **GRILL SCRAPER**

[76] Inventor: **Camilo Pereira**, 633 NE. 167th St.,
#701, North Miami Beach, Fla. 33162

[**] Term: **14 Years**

[21] Appl. No.: **31,885**

[22] Filed: **Dec. 8, 1994**

[52] **U.S. Cl.** **D32/46; D32/48**

[58] **Field of Search** 15/236.01, 236.02;
D32/40, 46, 48, 49; 30/169, 164.9, 171

[56] **References Cited**

U.S. PATENT DOCUMENTS

D. 108,131	1/1938	Reid	D32/48
D. 232,344	8/1974	Momcilovich	D32/48
D. 324,747	3/1992	Rood	D32/46
1,044,473	11/1912	Banke	30/171
1,473,143	11/1923	Dean	15/236.01
4,481,689	11/1984	Westmoreland	15/236.01
4,888,846	12/1989	Natale	15/236.01
4,962,561	10/1990	Hamilton	15/236.02 X

FOREIGN PATENT DOCUMENTS

2277900	11/1994	United Kingdom	15/236.01
---------	---------	----------------------	-----------

Primary Examiner—A. Hugo Word
Assistant Examiner—Cynthia E. Ramirez
Attorney, Agent, or Firm—Robert M. Downey

[57] **CLAIM**

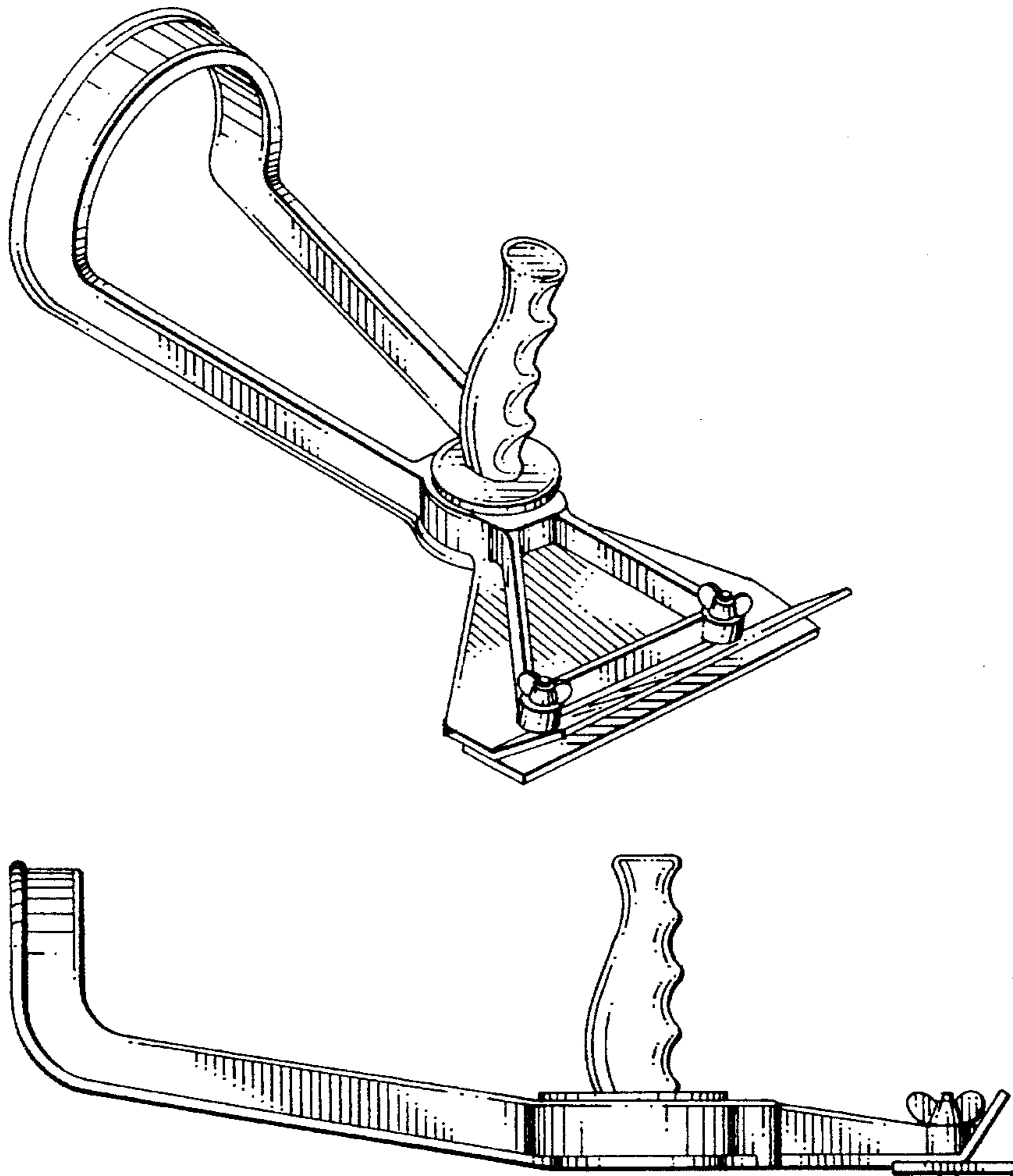
The ornamental design for a grill scraper, as shown and described.

DESCRIPTION

FIG. 1 is a perspective view of the grill scraper;
FIG. 2 is a top plan view of the grill scraper;
FIG. 3 is a bottom plan view of the grill scraper;
FIG. 4 is a left side elevational view of a grill scraper;
FIG. 5 is a right side elevational view of the grill scraper;
FIG. 6 is a front elevational view of the grill scraper;
FIG. 7 is a rear elevational view of the grill scraper.

The surface shading of the figures is fragmentarily shown for convenience of illustration, it being understood that the shading is uniformly continuous over the surface which it appears.

1 Claim, 2 Drawing Sheets



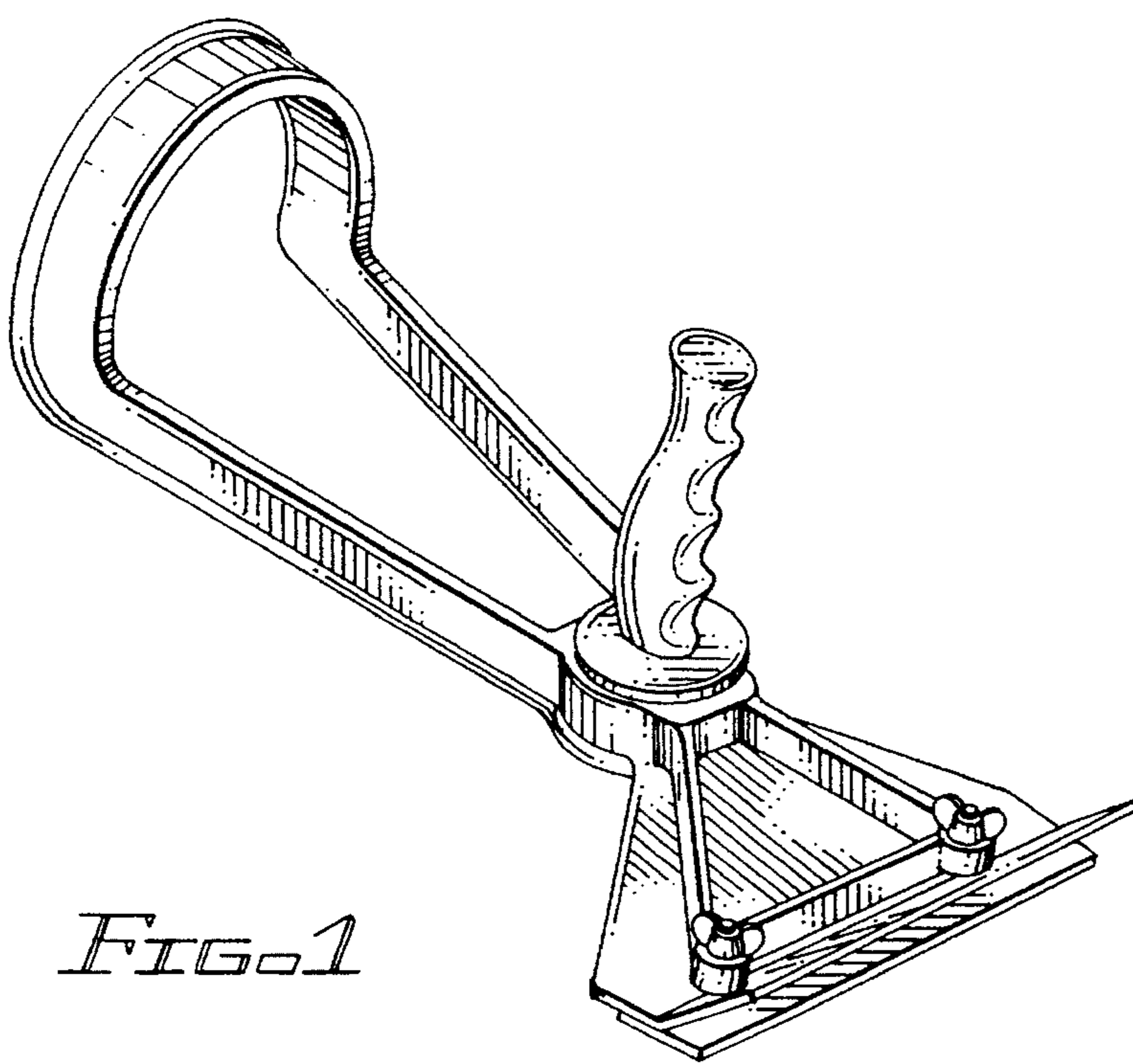


FIG. 1

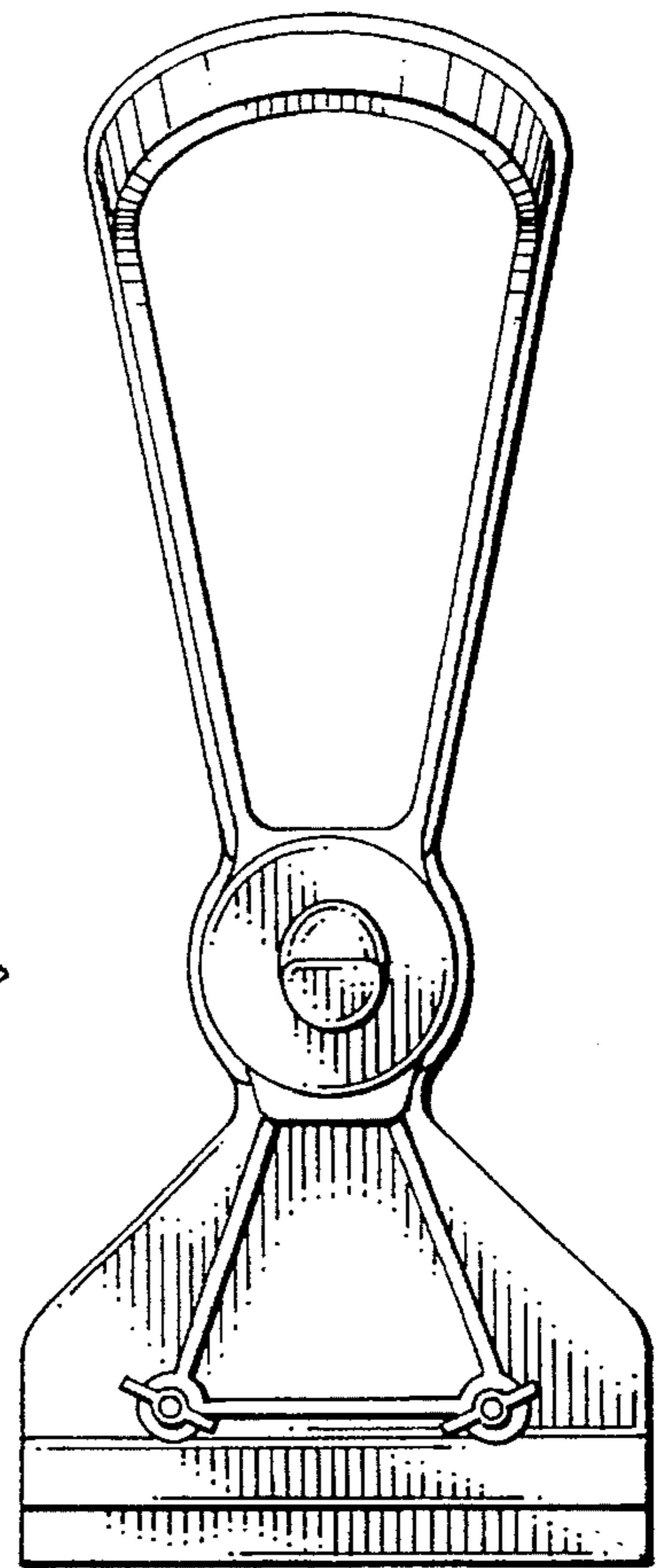


FIG. 2

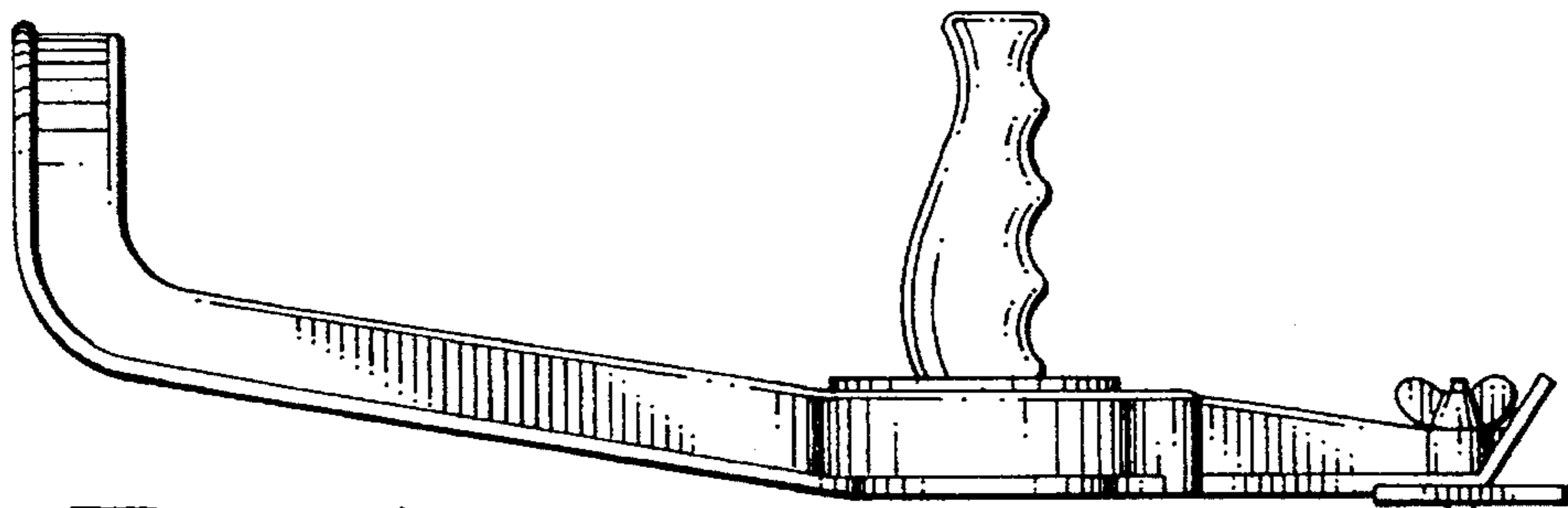


FIG. 4

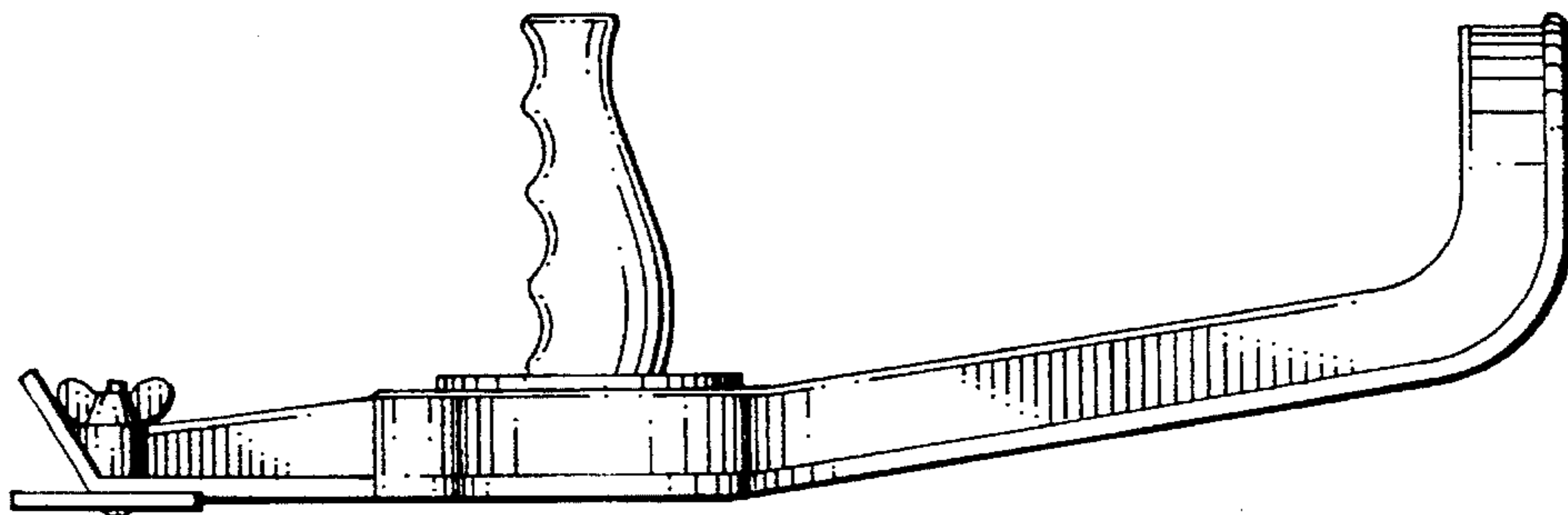


FIG. 5

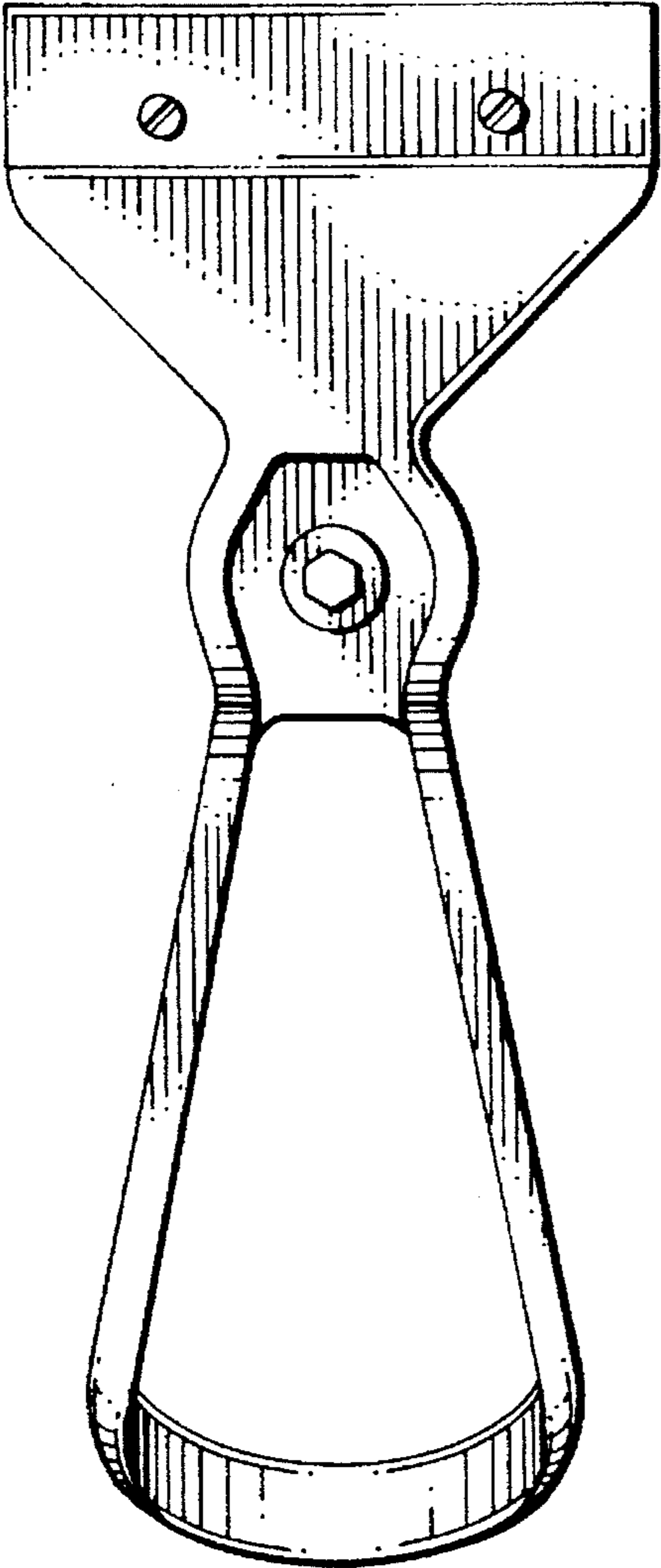


FIG. 3

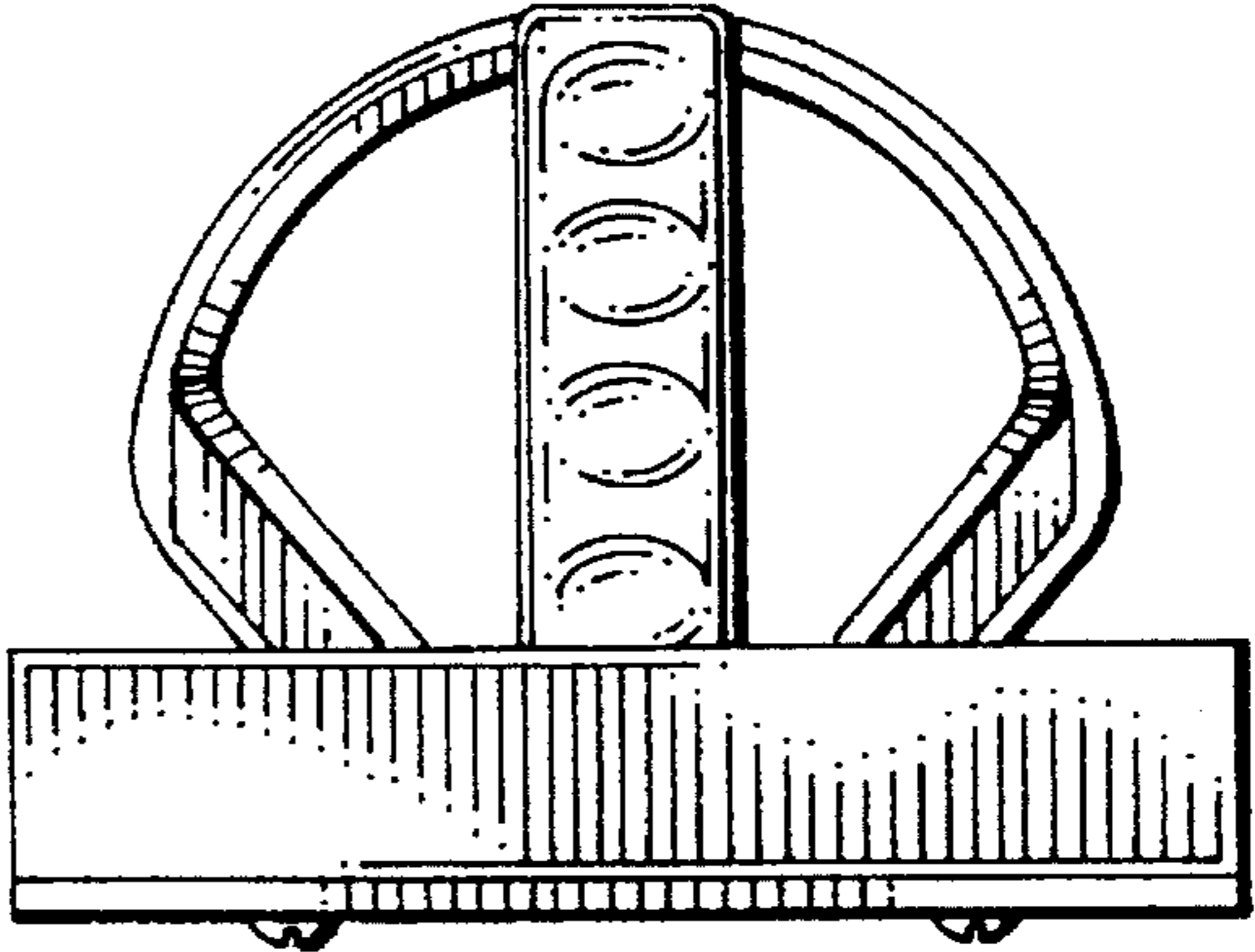


FIG. 6

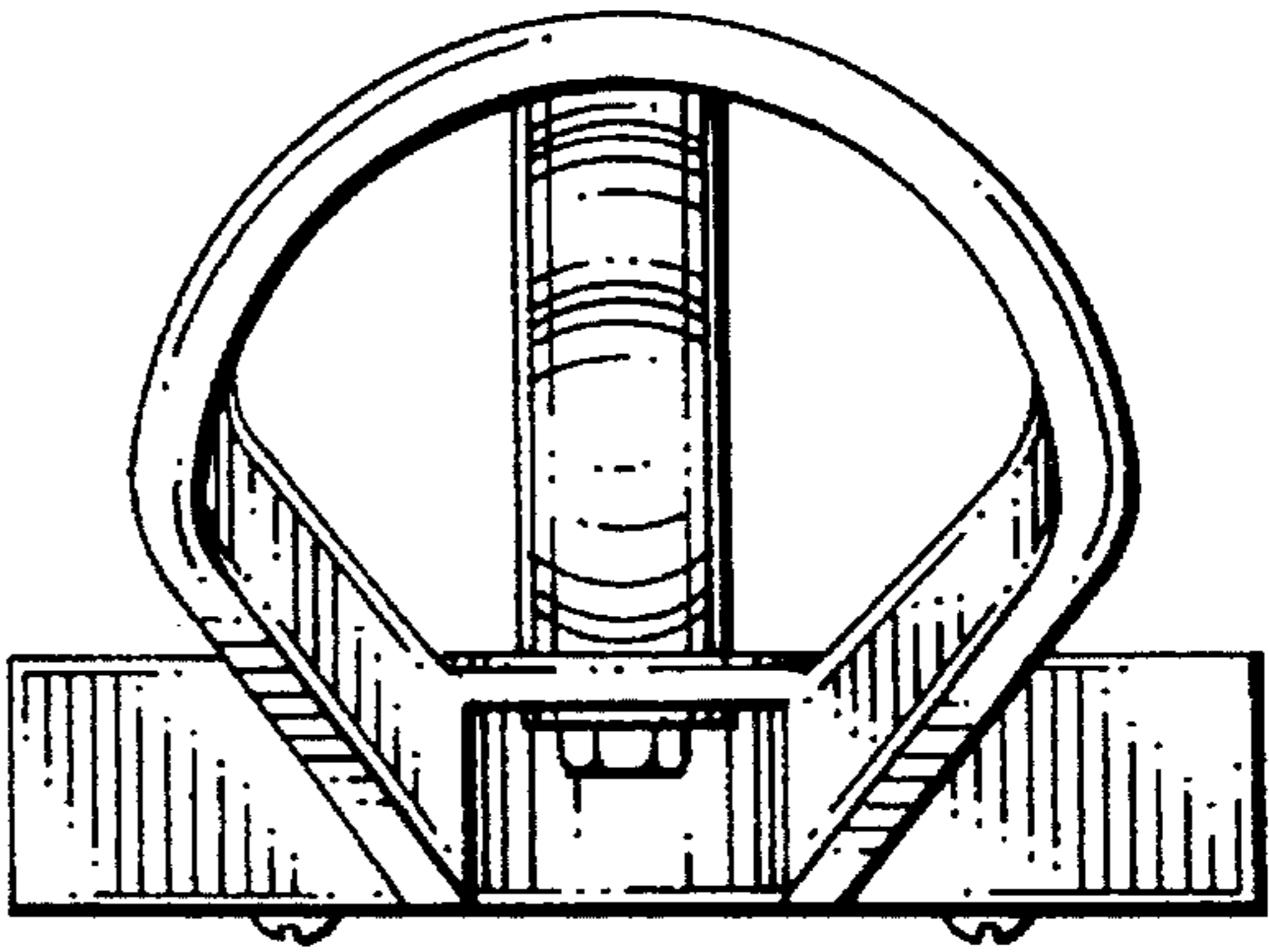


FIG. 7