



US00D365893S

United States Patent [19] Thorp

[11] Patent Number: Des. 365,893

[45] Date of Patent: **Jan. 2, 1996

[54] WINDOW BIRD FEEDER

[75] Inventor: Christopher S. Thorp, Wooster, Ohio

[73] Assignee: Rubbermaid Specialty Products Inc.,
Wooster, Ohio

[**] Term: 14 Years

[21] Appl. No.: 26,569

[22] Filed: Aug. 1, 1994

[52] U.S. Cl. D30/124

[58] Field of Search D30/124-128;
119/57.8-57.9, 52.2-52.3, 77, 23

[56] **References Cited**

U.S. PATENT DOCUMENTS

D. 196,170	9/1963	Fenton	D30/121
D. 234,521	3/1975	Fry	D30/126
D. 234,522	3/1975	Fry	D30/126
D. 234,703	4/1975	Fry	D30/126
D. 274,013	5/1984	Sun	D30/124
D. 282,017	12/1985	Meyer	D30/124
D. 290,414	6/1987	Gerber	D30/128
D. 290,769	7/1987	Taylor	D30/124
D. 326,003	5/1992	Embree	D30/128
D. 328,370	7/1992	Embree	D30/124
D. 328,655	8/1992	Embree	D30/124
D. 329,722	9/1992	Embree	D30/124
D. 331,647	12/1992	Embree	D30/124
D. 342,589	12/1993	Bransky et al.	D30/124
D. 342,590	12/1993	Bransky et al.	D30/124

D. 350,627	9/1994	Moniak	D30/124
2,151,010	3/1939	Copeman	119/57.8
2,195,575	4/1940	Mallgraf	D30/124
2,531,915	11/1950	Maly	D30/124

FOREIGN PATENT DOCUMENTS

20125 of 1905 United Kingdom 119/77

OTHER PUBLICATIONS

Opus™ Ceramic Outdoor Accessories and Bird Feeders;
Opus Inc. p. 7; 1991; #433-4 Ceramic Fly Through Bird
Feeder.

Primary Examiner—Cathy Anne MacCormac
Attorney, Agent, or Firm—Richard B. O'Planick; Lisa B.
Riedesel

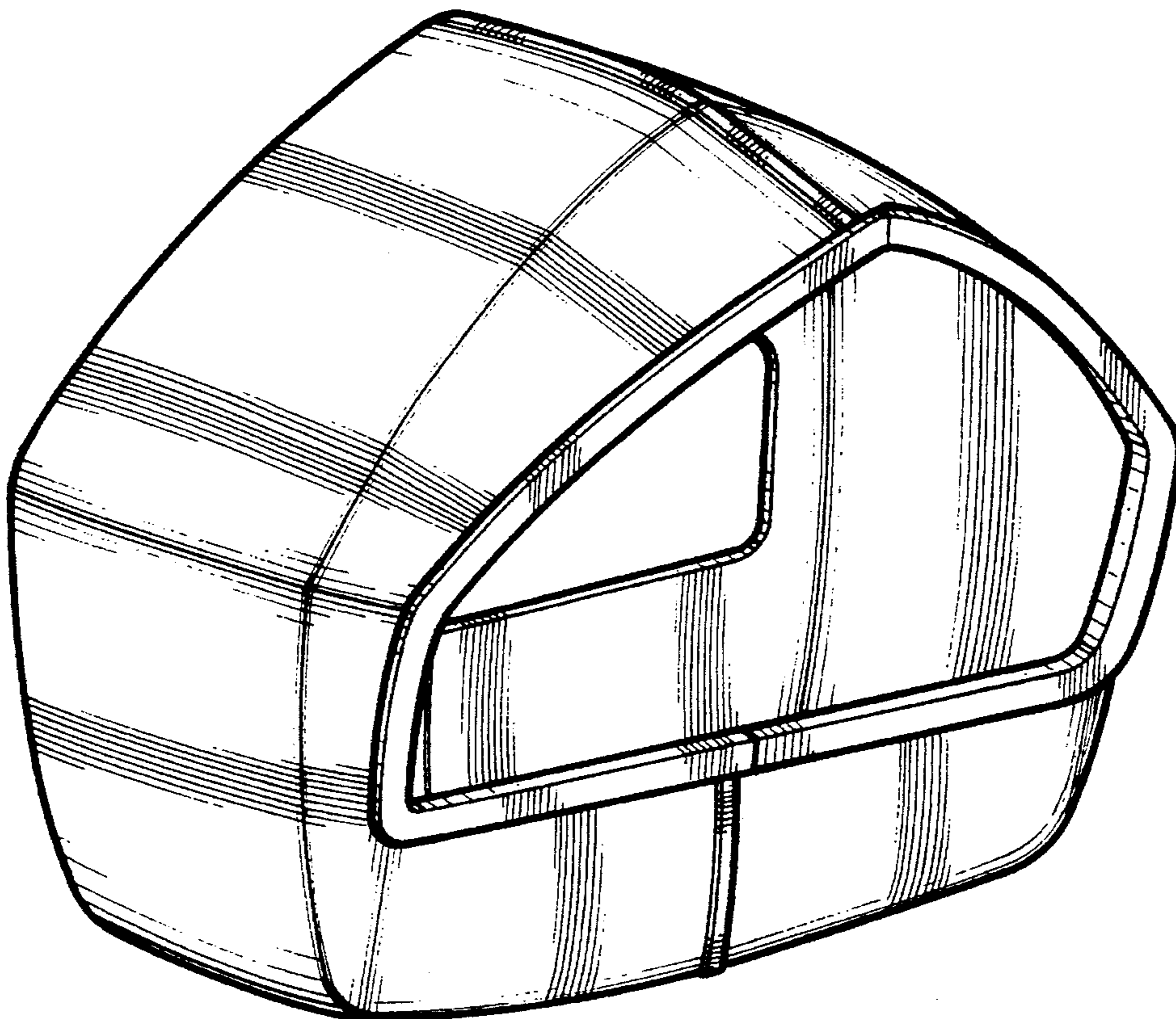
[57] **CLAIM**

The ornamental design for a window bird feeder, as shown
and described.

DESCRIPTION

FIG. 1 is a top left front perspective view of a window bird
feeder showing my new design;
FIG. 2 is a front elevational view thereof;
FIG. 3 is a top plan view thereof;
FIG. 4 is a bottom plan view thereof;
FIG. 5 is a right side elevational view thereof; the left side
elevational view being a mirror image; and,
FIG. 6 is a rear elevational view thereof.

1 Claim, 3 Drawing Sheets



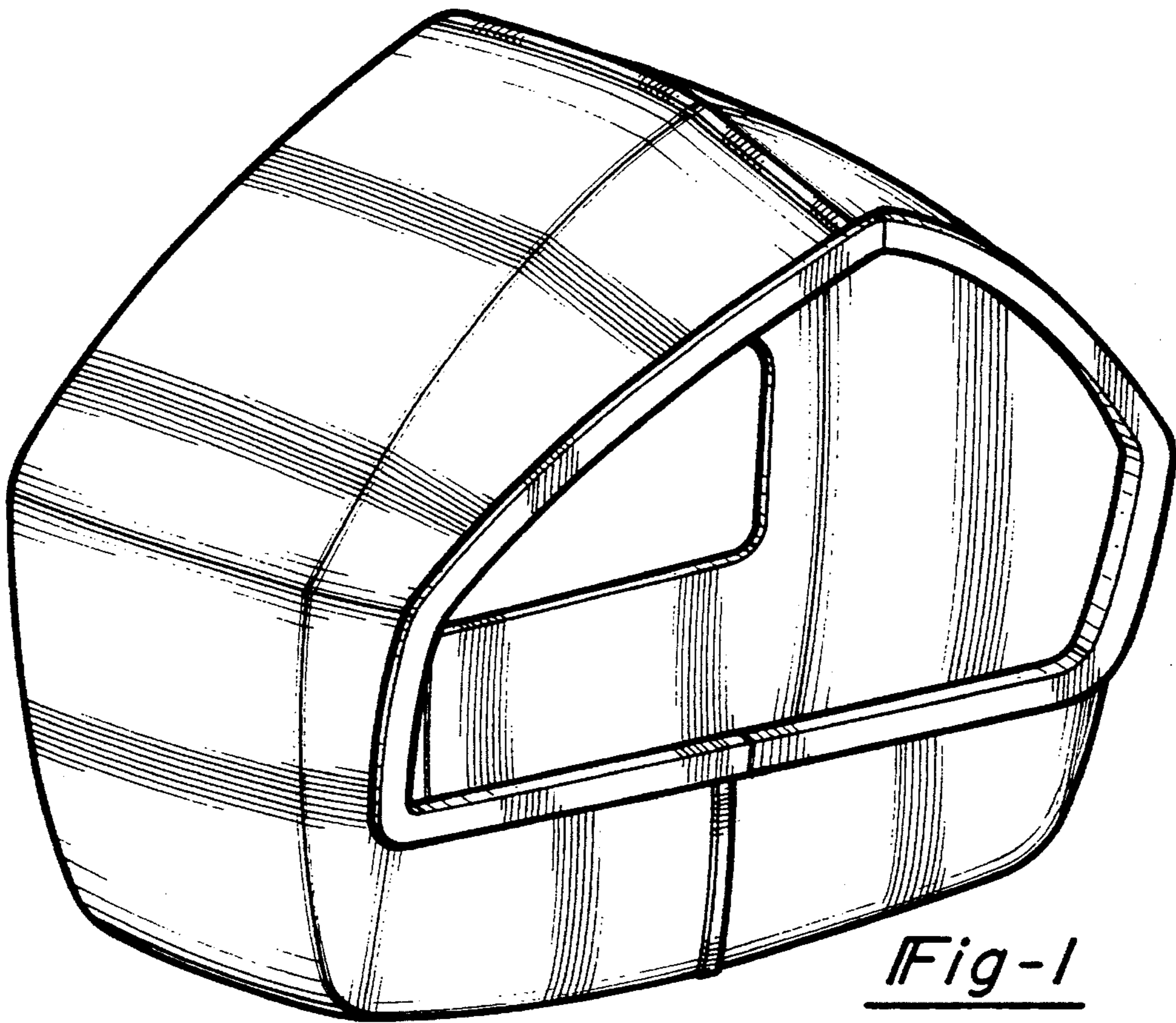


Fig-1

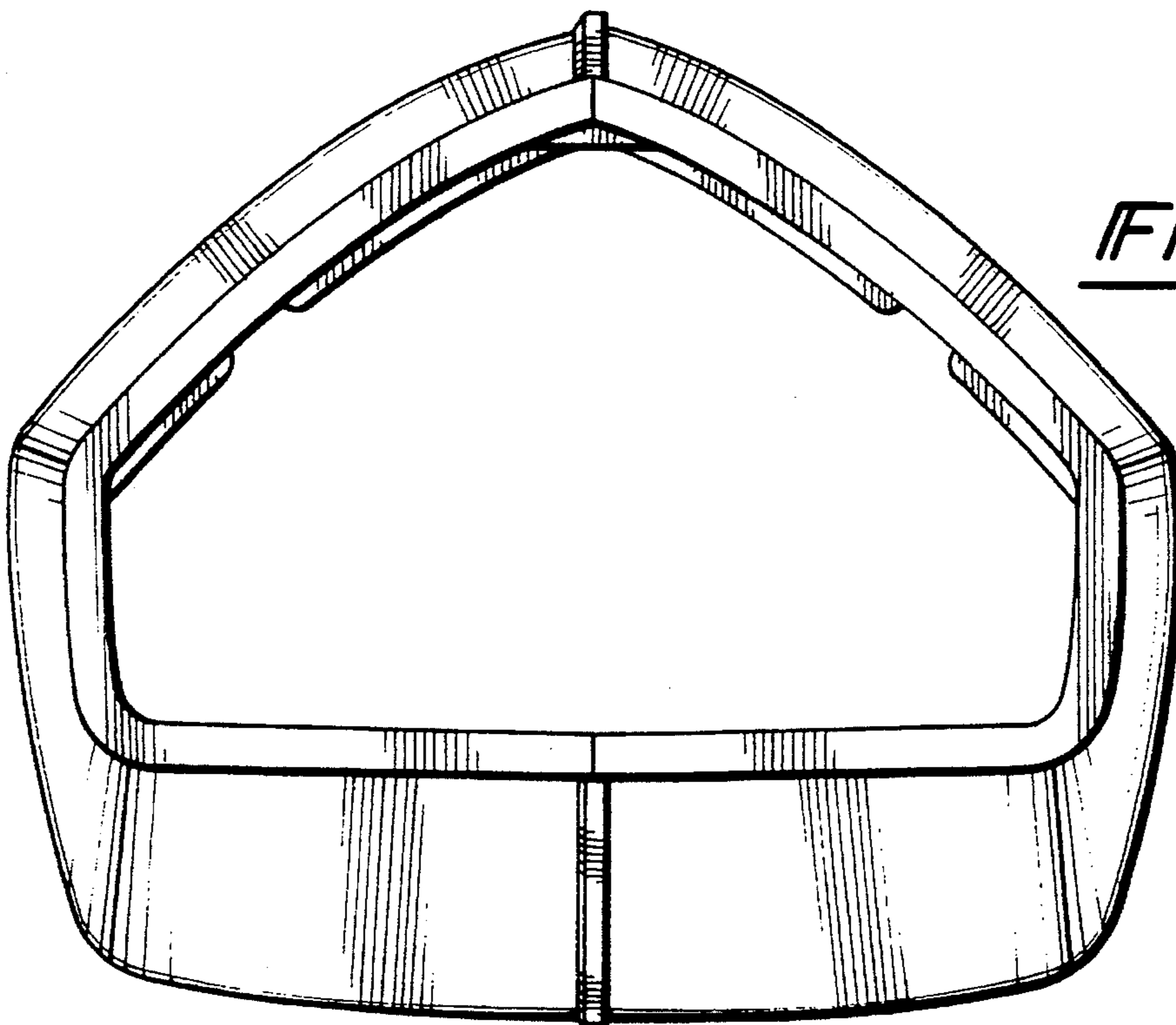


Fig-2

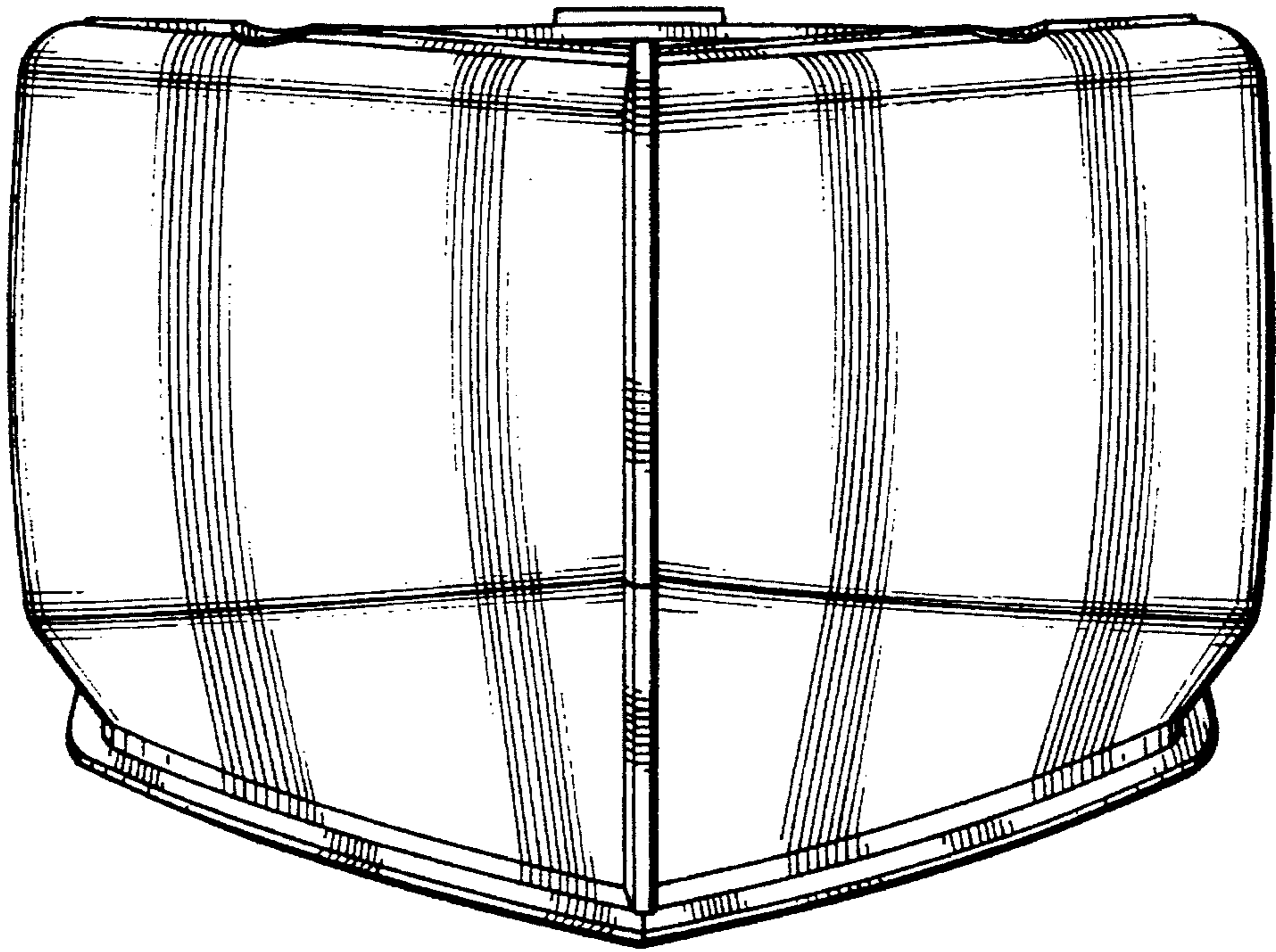


Fig-3

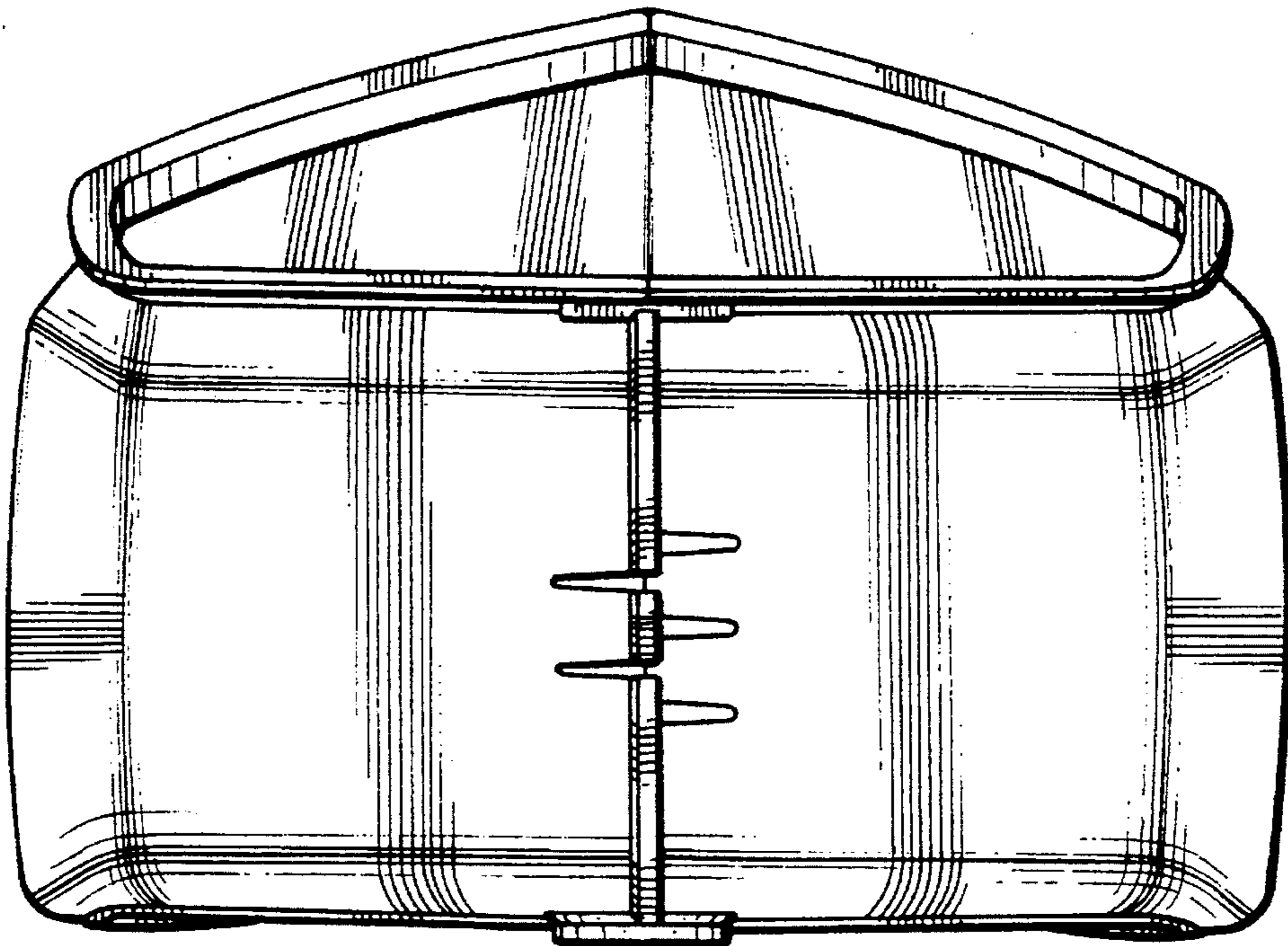


Fig-4

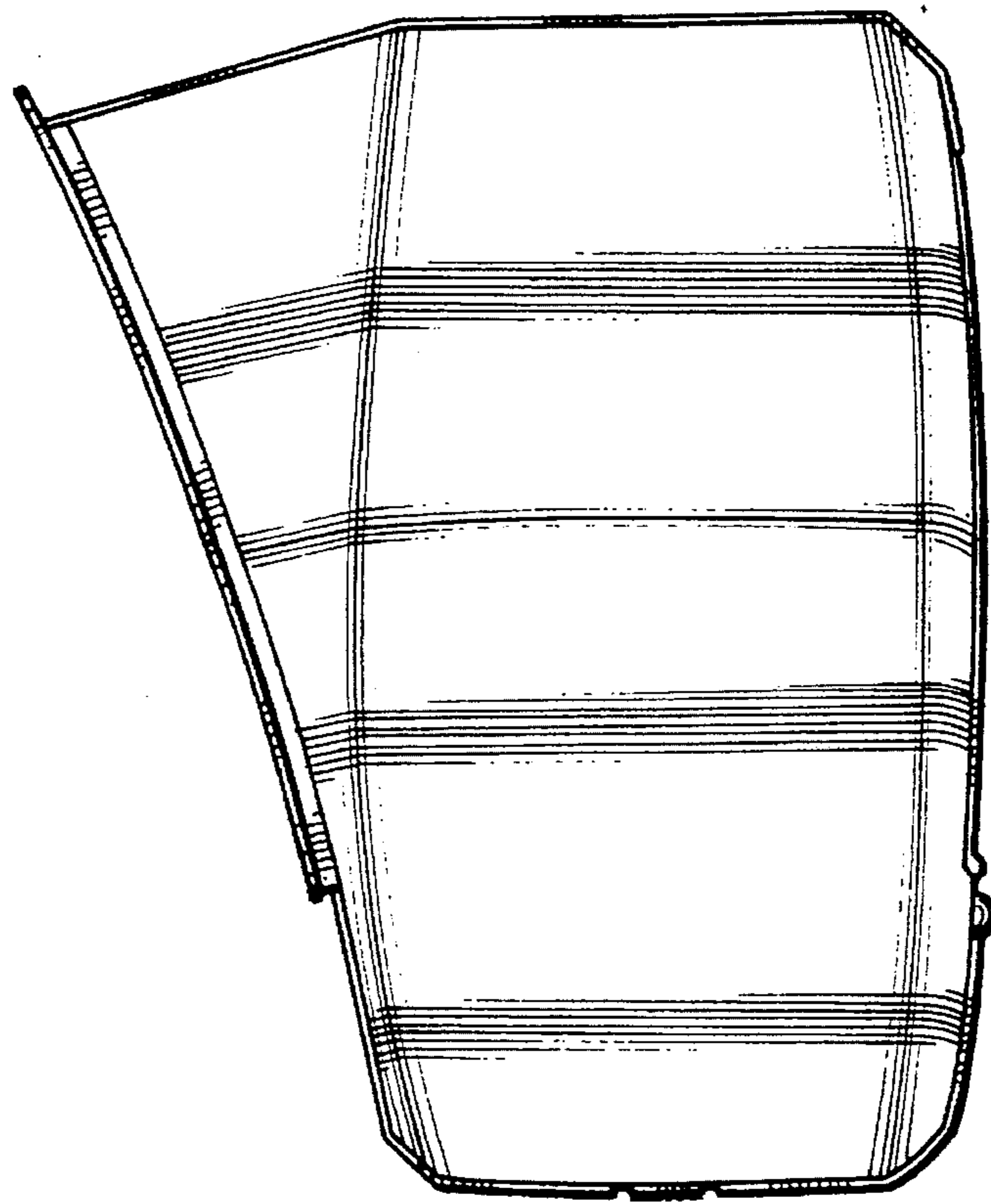


Fig-5

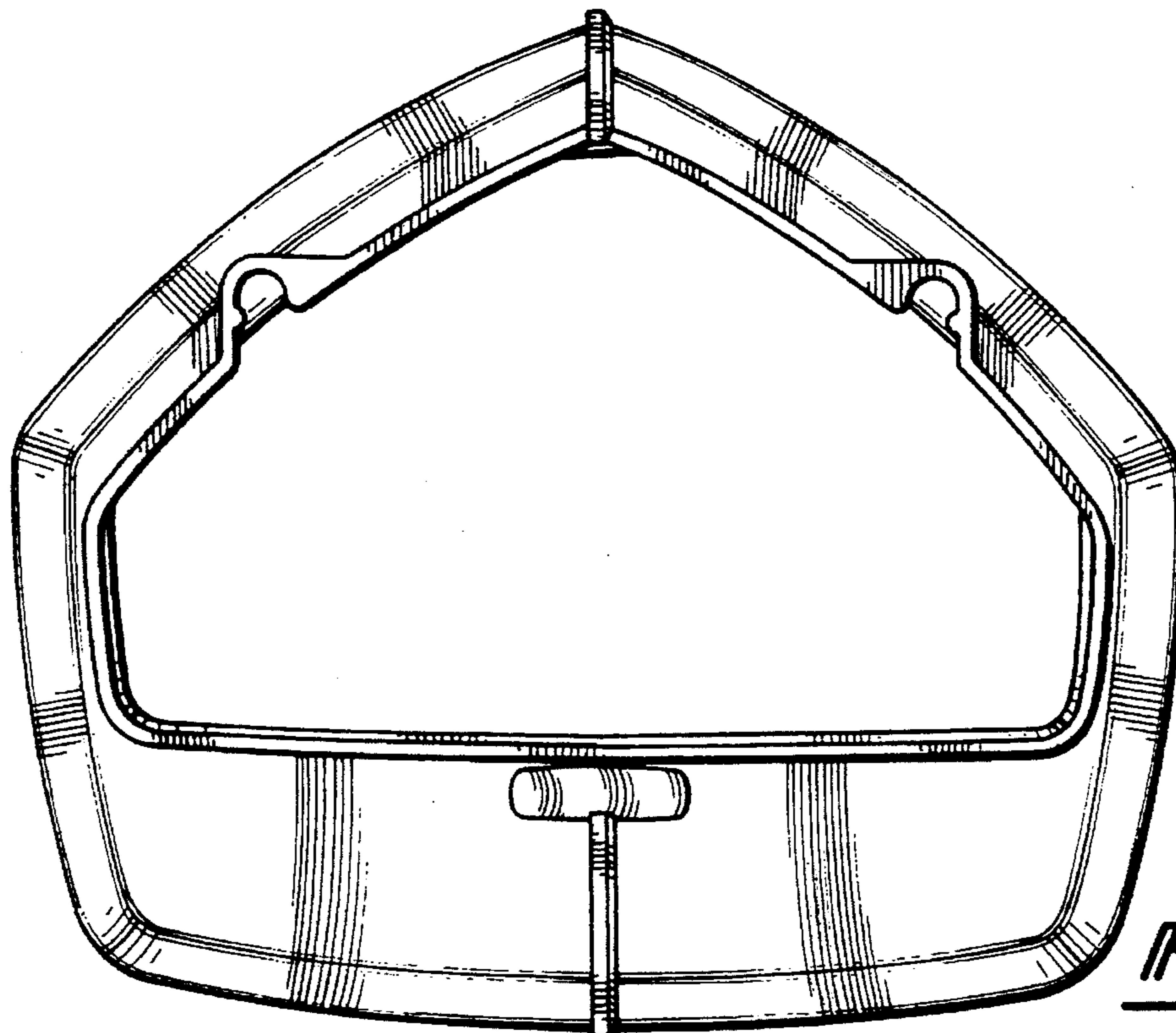


Fig-6