



US00D365892S

United States Patent [19] Markham

[11] Patent Number: **Des. 365,892**

[45] Date of Patent: ****Jan. 2, 1996**

[54] **COMBINED COSMETIC TRAY AND CASE**

[76] Inventor: **Susan Markham**, 3020 Cedar Height Dr., Colorado Springs, Colo. 80904

[**] Term: **14 Years**

[21] Appl. No.: **25,432**

[22] Filed: **Jul. 1, 1994**

[52] U.S. Cl. **D28/83**; D9/418; D9/423; D3/901; D3/295

[58] Field of Search D28/73, 76-83, D28/61; D9/341, 347, 420, 423, 418; D3/205, 206, 273-275, 294, 295, 901; 132/286, 293, 294, 297, 301, 303, 313-317; 206/581, 81, 823, 235, 1.7, 1.8; 220/662, DIG. 26, 500, 507, 527, 528, 553, 555; D19/35, 75, 77, 83

[56] **References Cited**

U.S. PATENT DOCUMENTS

| | | | |
|------------|---------|-----------------------|----------|
| D. 263,634 | 3/1982 | Ballereaud | D28/83 |
| D. 293,724 | 1/1988 | Kingsford et al. | D28/76 X |
| D. 321,284 | 11/1991 | Marsella et al. | D3/295 |
| D. 335,896 | 5/1993 | Evenson | D19/35 X |
| 1,478,242 | 12/1923 | Milliken, Jr. | 206/1.8 |
| 3,426,888 | 2/1969 | Meth | 206/1.8 |
| 3,786,913 | 1/1974 | Crawford | 206/1.8 |
| 4,589,430 | 5/1986 | Sussman . | |

FOREIGN PATENT DOCUMENTS

| | | | |
|---------|--------|----------------------|---------|
| 1122607 | 9/1956 | France | 206/1.8 |
| 195493 | 4/1923 | United Kingdom | D9/420 |

OTHER PUBLICATIONS

Mademoiselle Apr. 1984, page unknown: Bonne Belle compact.

Primary Examiner—Ted Shooman
Assistant Examiner—C. Tuttle
Attorney, Agent, or Firm—Richard Slehofer

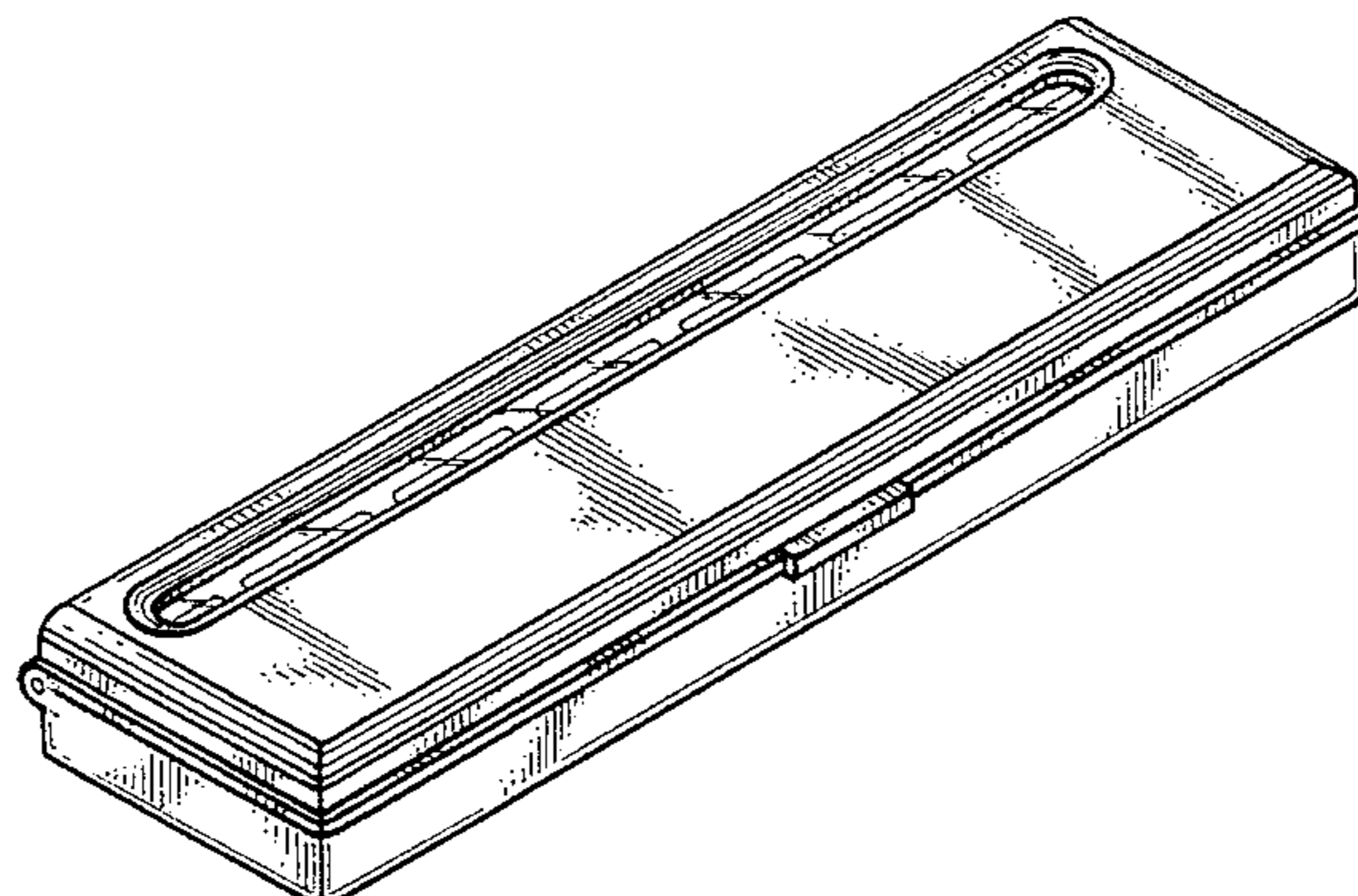
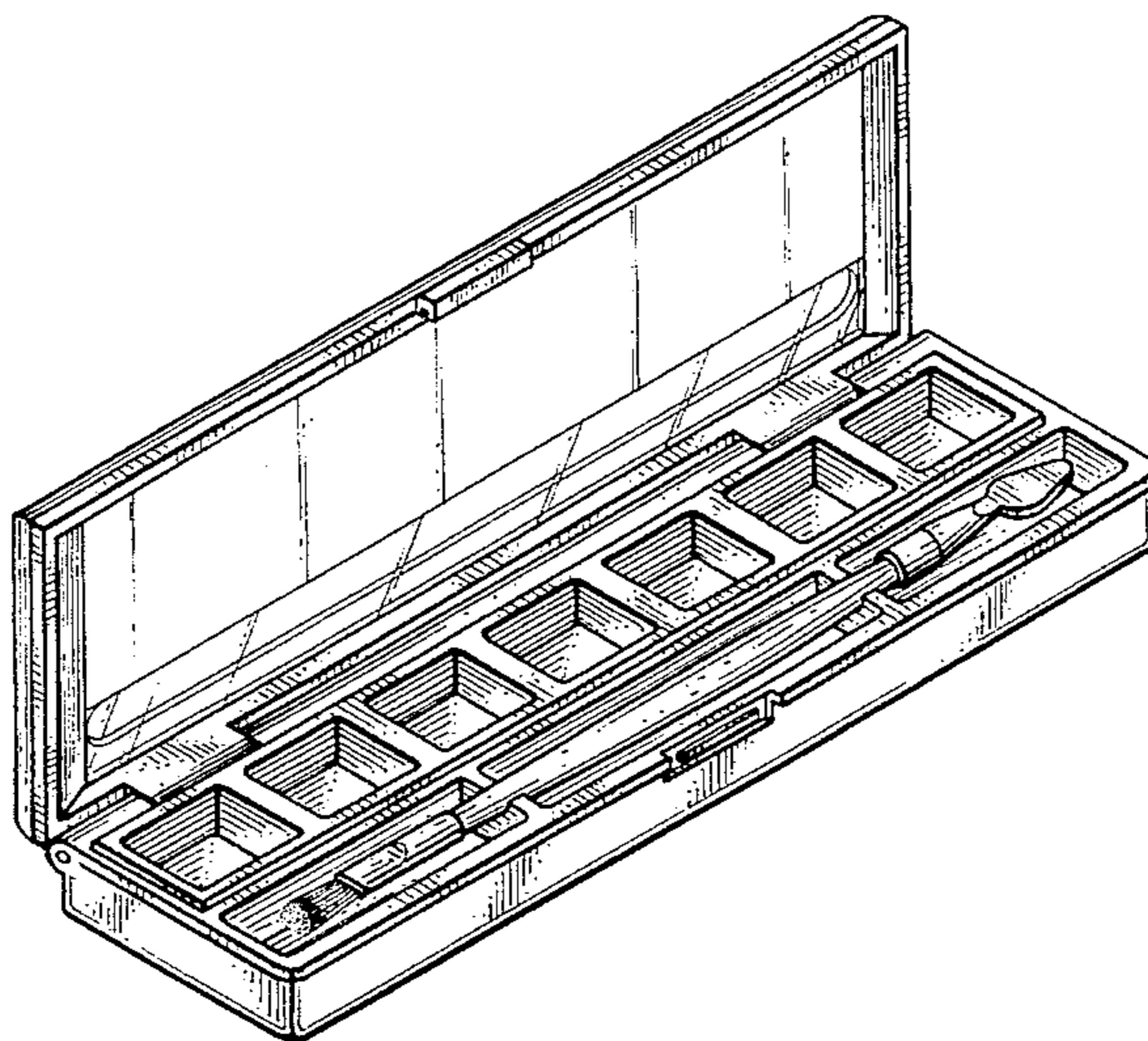
[57] **CLAIM**

The ornamental design for a combined cosmetic tray and case, as shown and described.

DESCRIPTION

FIG. 1 is a perspective view of a combined cosmetic tray and case showing my new design in the open position; FIG. 2 is a front elevational view thereof; FIG. 3 is a right side elevational view, the left side being a mirror image of that shown; FIG. 4 is a rear elevational view thereof; FIG. 5 is a top plan view thereof; FIG. 6 is a bottom plan view thereof; FIG. 7 is a perspective view thereof in a closed position. The undisclosed sides of the makeup applicator are unornamented; and follow the configuration of the sides shown.

1 Claim, 2 Drawing Sheets



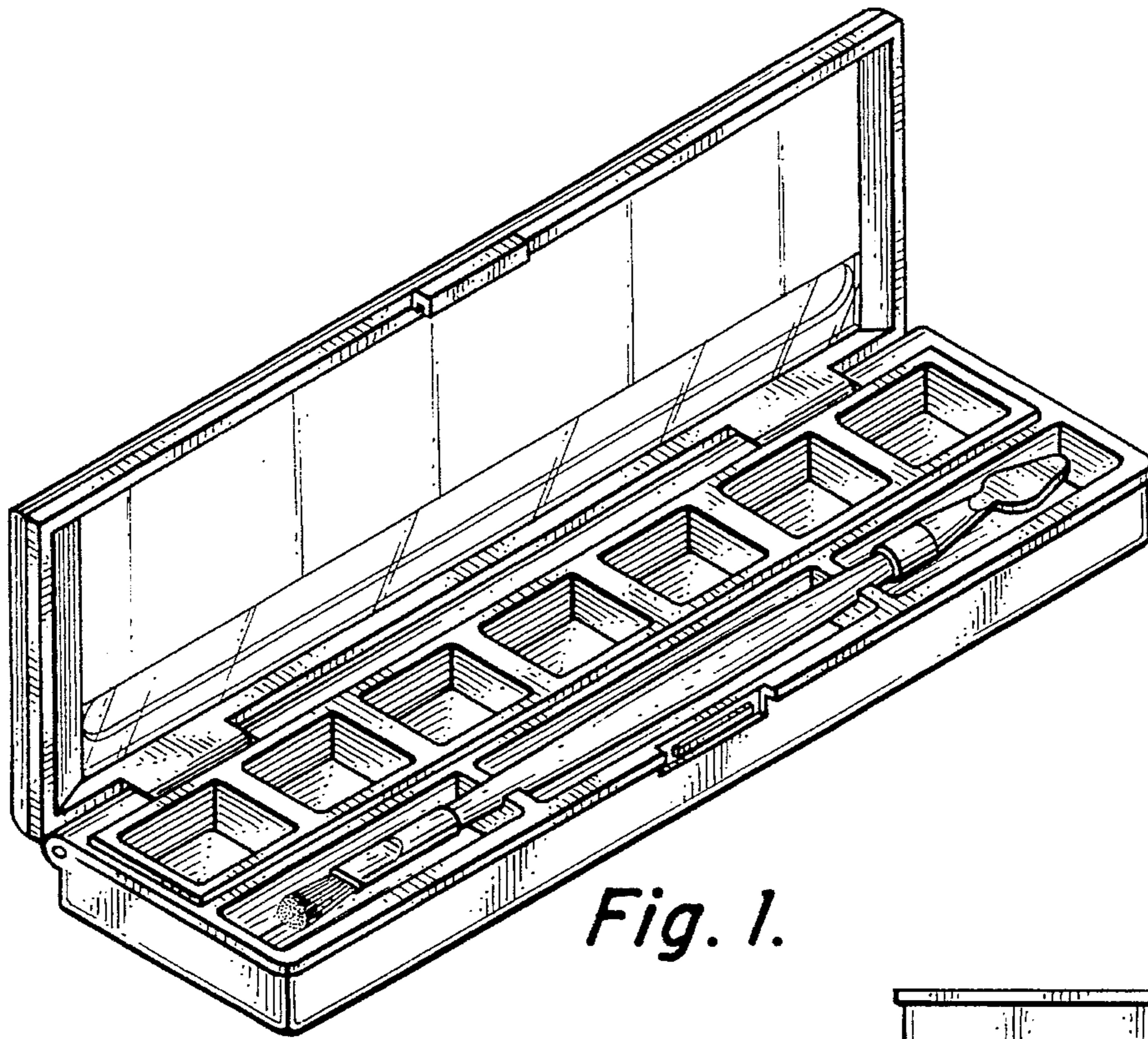


Fig. 1.

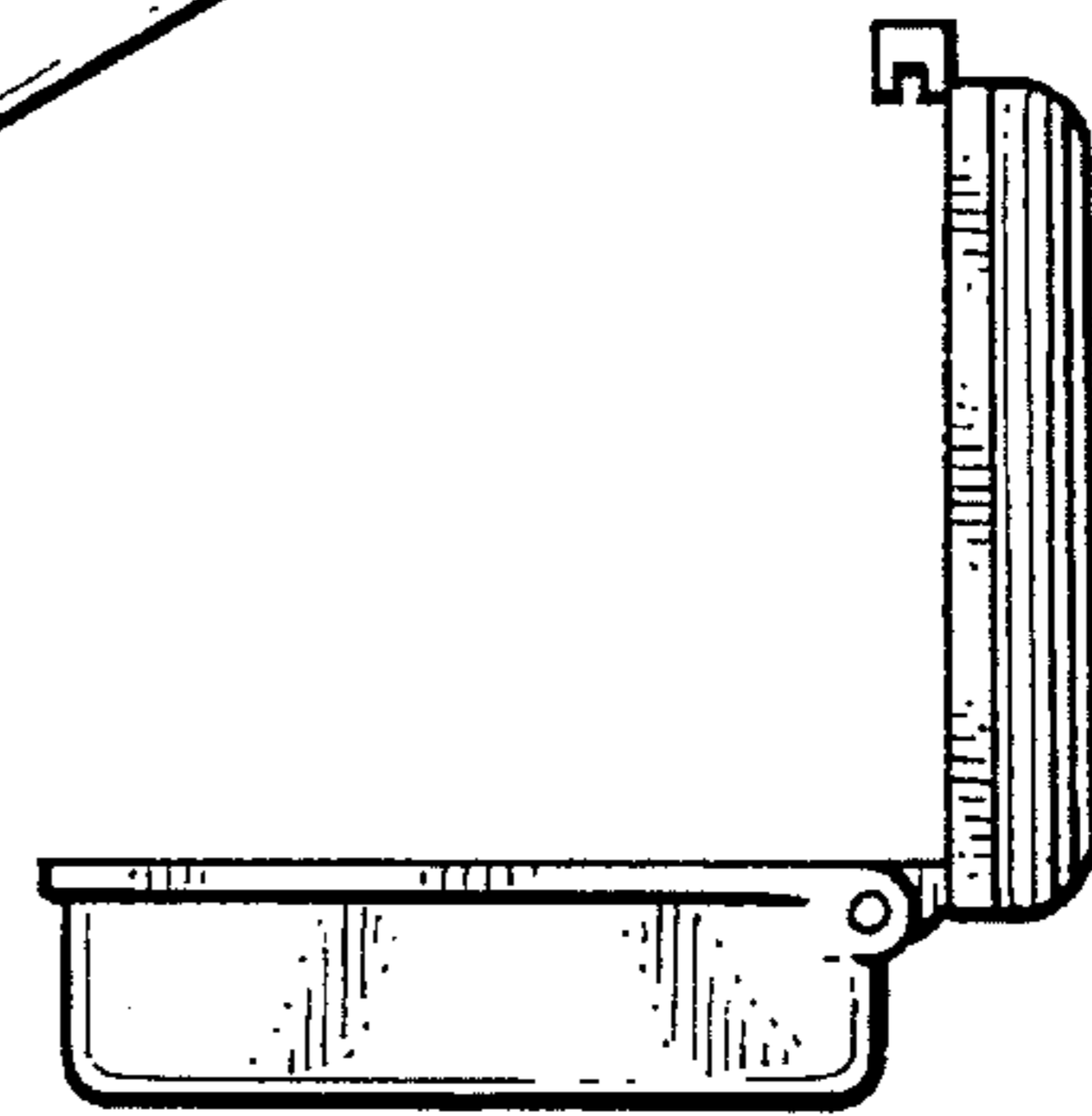


Fig. 3.

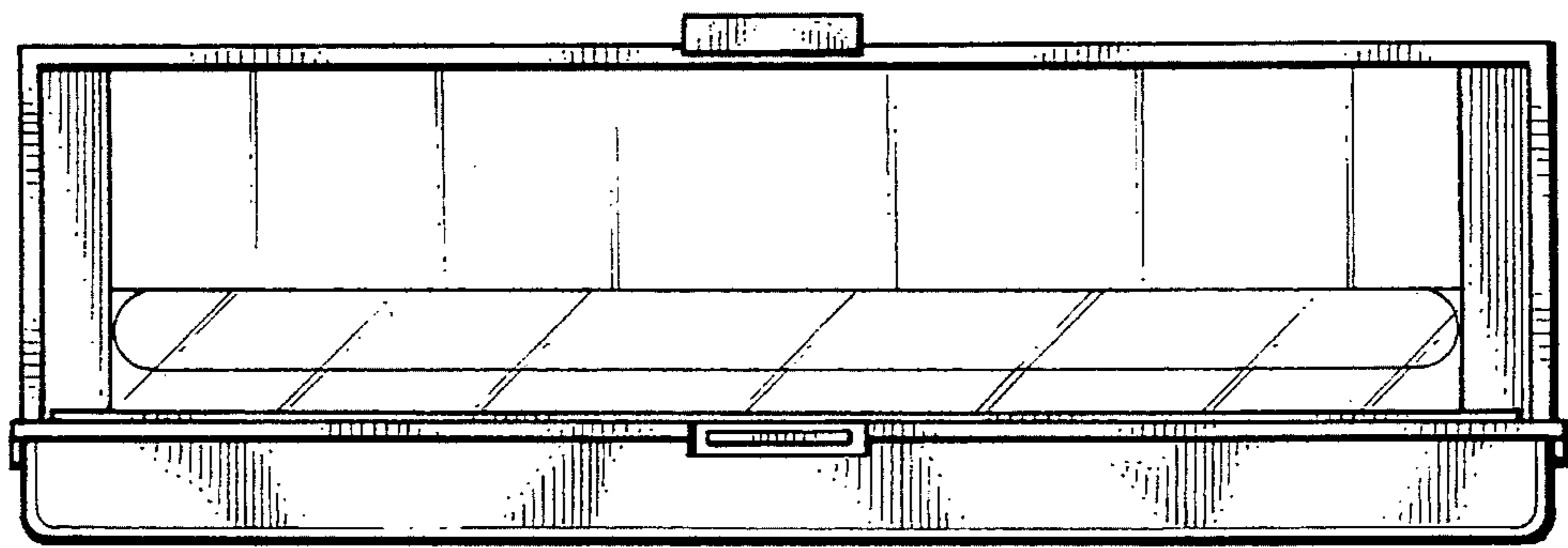


Fig. 2.

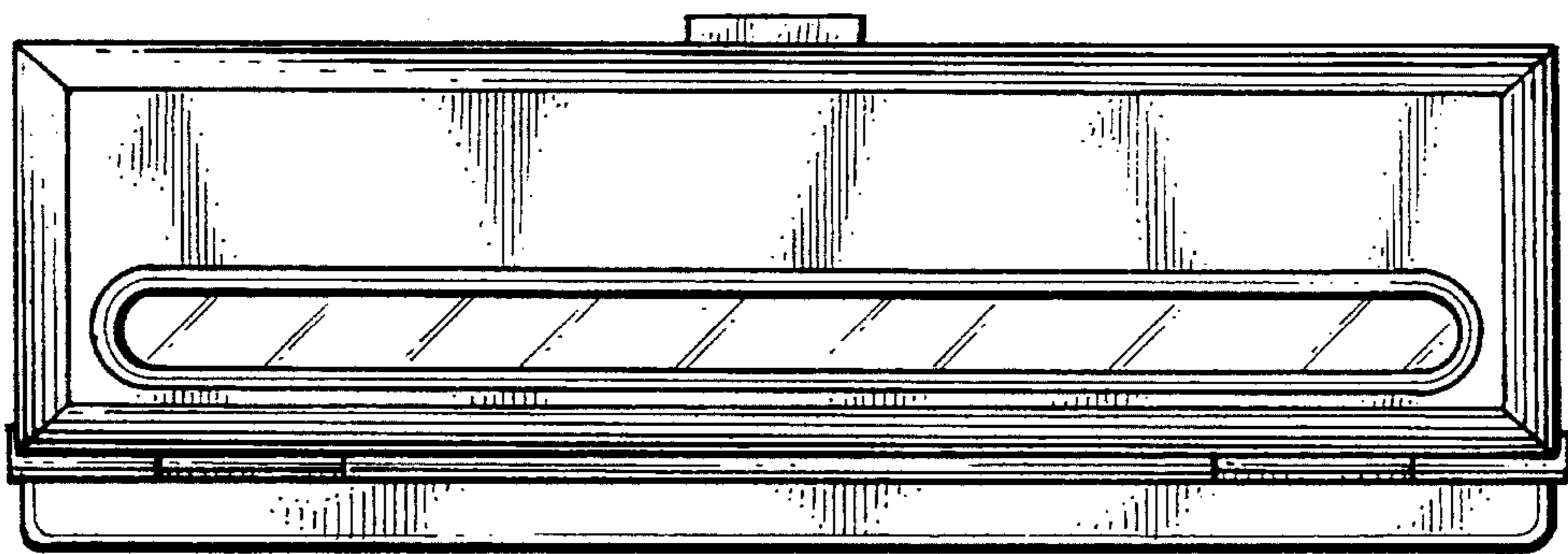


Fig. 4.

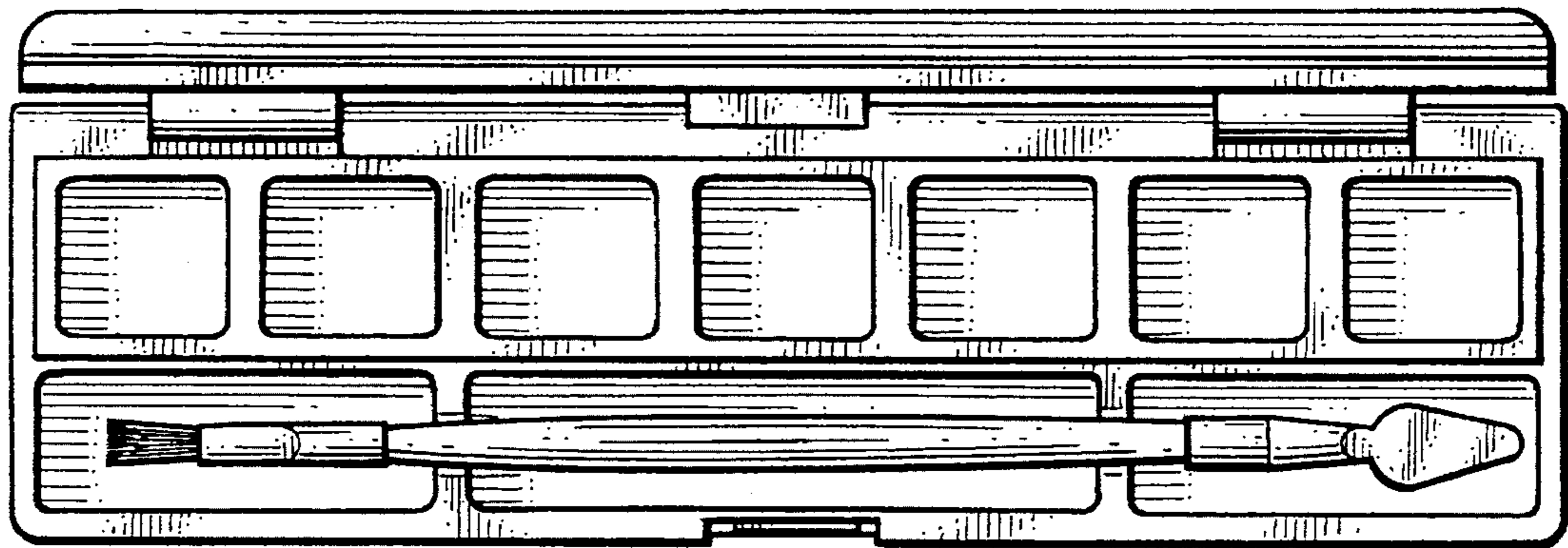


Fig. 5.

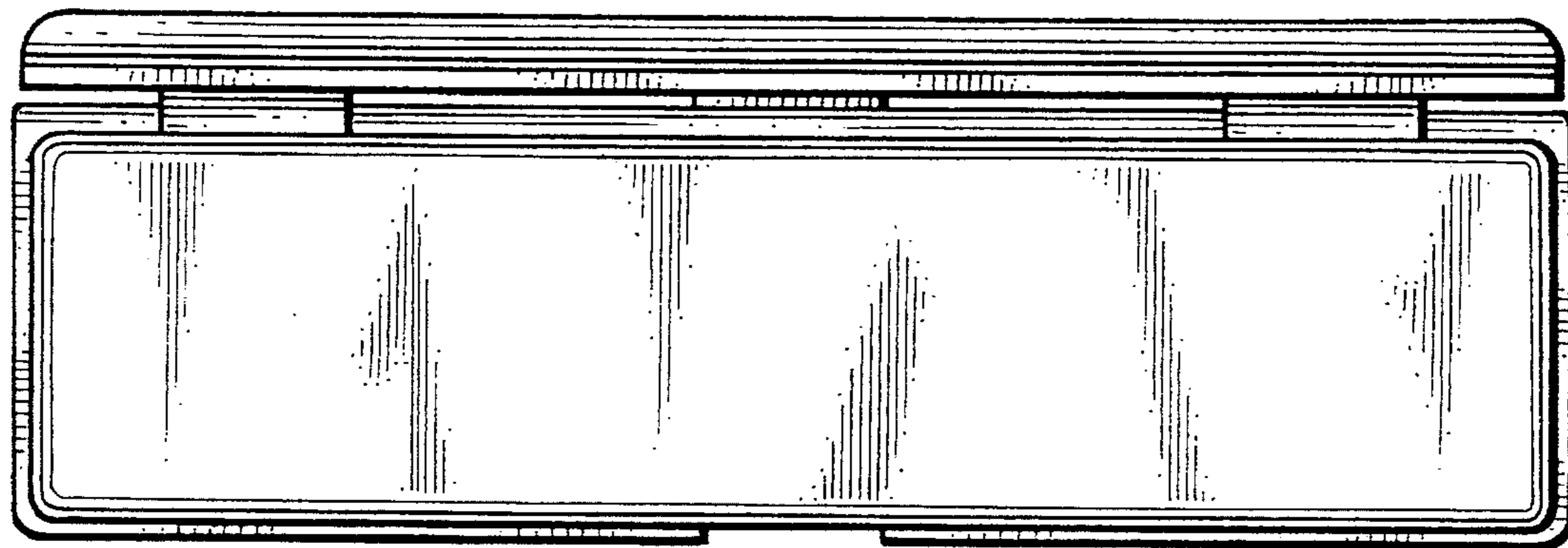


Fig. 6.

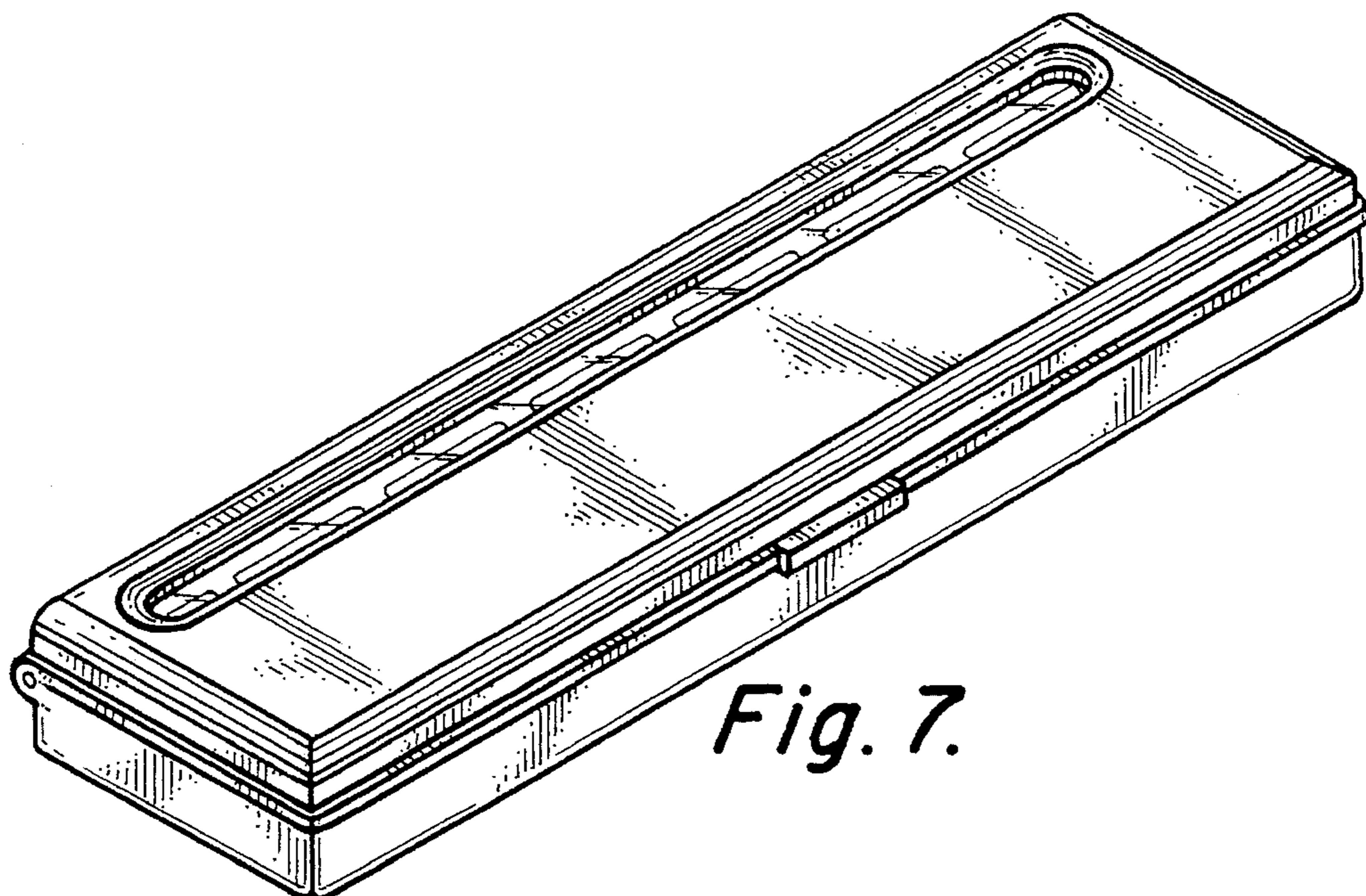


Fig. 7.