



US00D365888S

# United States Patent [19]

Ishmael

[11] Patent Number: **Des. 365,888**

[45] Date of Patent: **\*\*Jan. 2, 1996**

[54] **EXTRUDED DOOR MOLDING**

[75] Inventor: **David L. Ishmael**, Van Meter, Iowa

[73] Assignee: **EMCO Enterprises, Inc.**, Des Moines, Iowa

[\*\*] Term: **14 Years**

[21] Appl. No.: **26,820**

[22] Filed: **Aug. 8, 1994**

[52] U.S. Cl. .... **D25/124; D25/136**

[58] Field of Search ..... **D25/124, 48, 136; 49/504, DIG. 2, 1; 52/204.5, 455-456**

[56] **References Cited**

**U.S. PATENT DOCUMENTS**

D. 270,765	9/1983	Kenin .....	D25/124
D. 327,747	9/1992	Nilkening .....	D25/136
2,927,354	3/1960	Lauer .....	D25/48
4,864,789	9/1989	Thorn .....	52/455
5,040,347	8/1991	Valvis .....	52/456

*Primary Examiner*—Doris Clark  
*Attorney, Agent, or Firm*—Zarley, McKee, Thomte, Voorhees & Sease

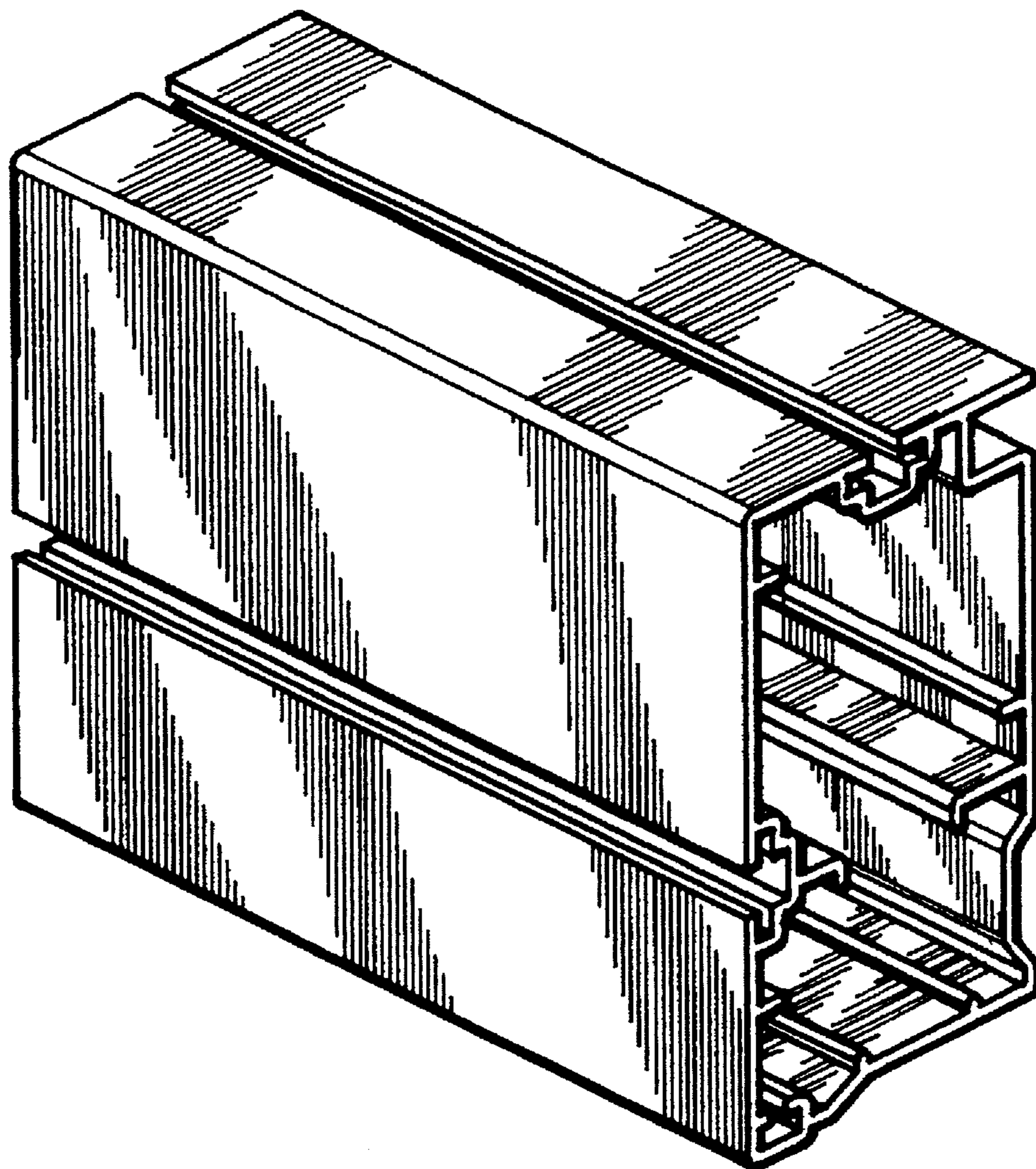
[57] **CLAIM**

The ornamental design for an extruded door molding, as shown.

**DESCRIPTION**

FIG. 1 is a perspective view of my extruded door molding for an extrusion;  
FIG. 2 is an end elevational thereof;  
FIG. 3 is a top plan view thereof;  
FIG. 4 is a side elevational view taken from the left of FIG. 2;  
FIG. 5 is a side elevation view taken from the right of FIG. 2; and,  
FIG. 6 is a bottom plan view taken from the bottom of FIG. 2.

**1 Claim, 1 Drawing Sheet**



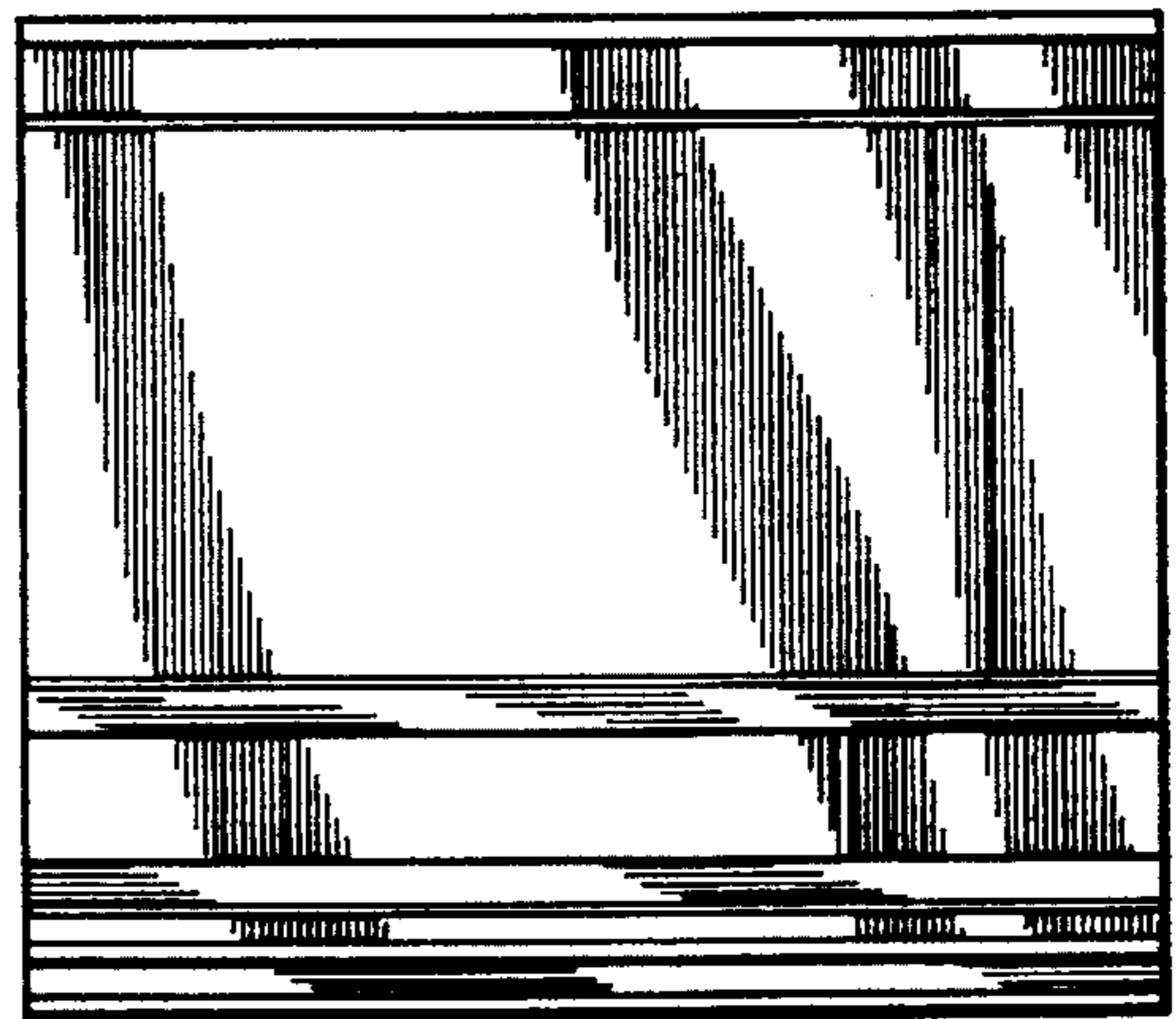
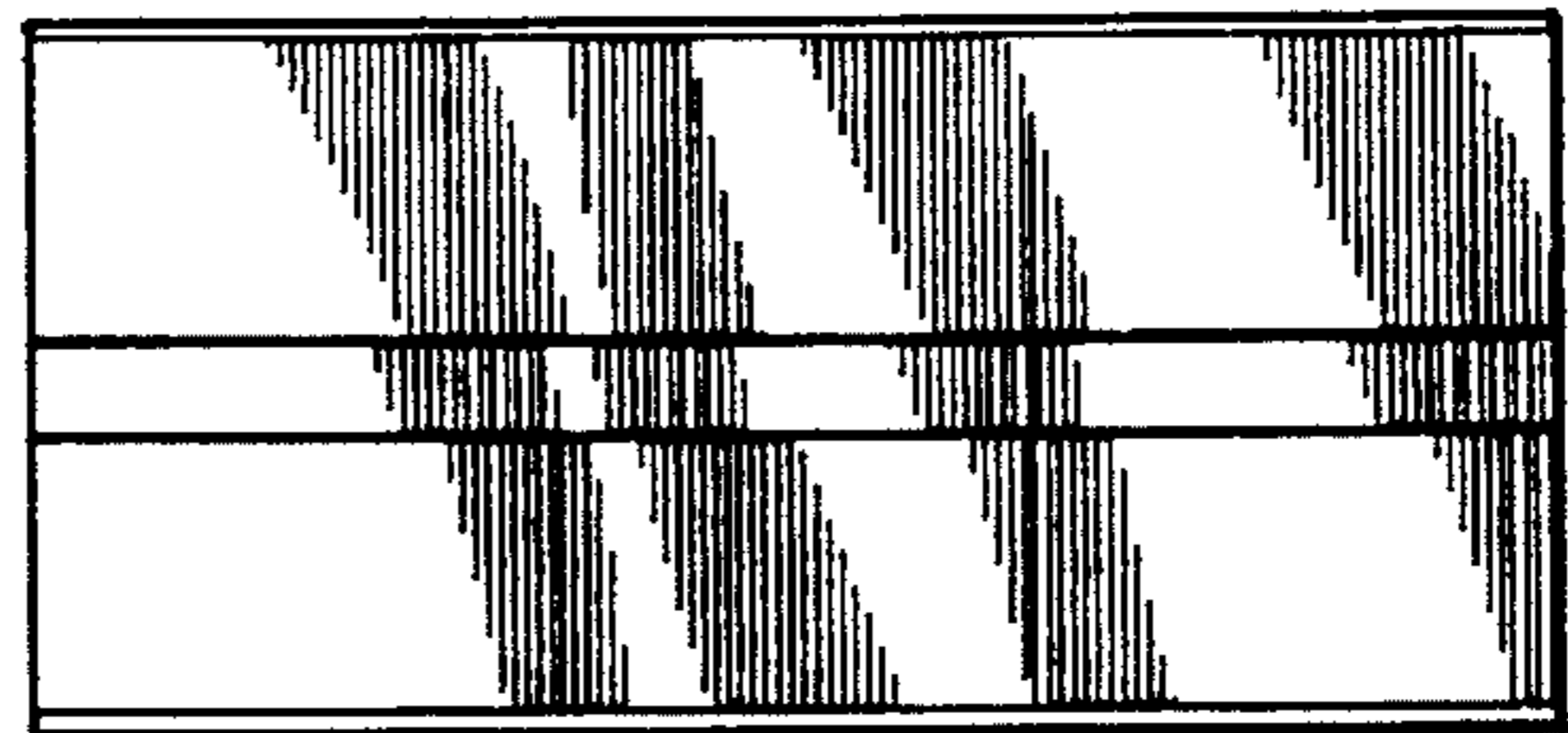
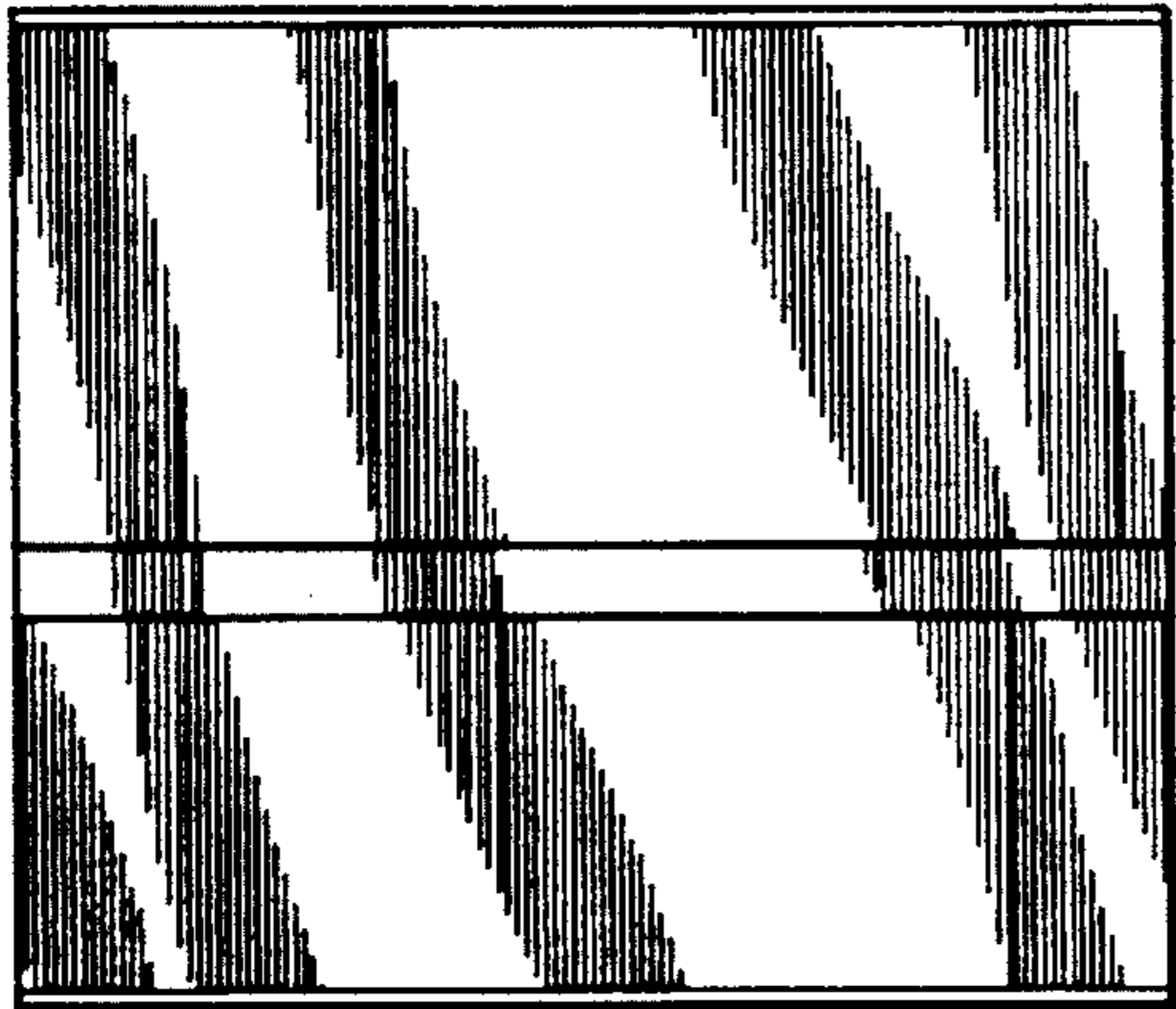
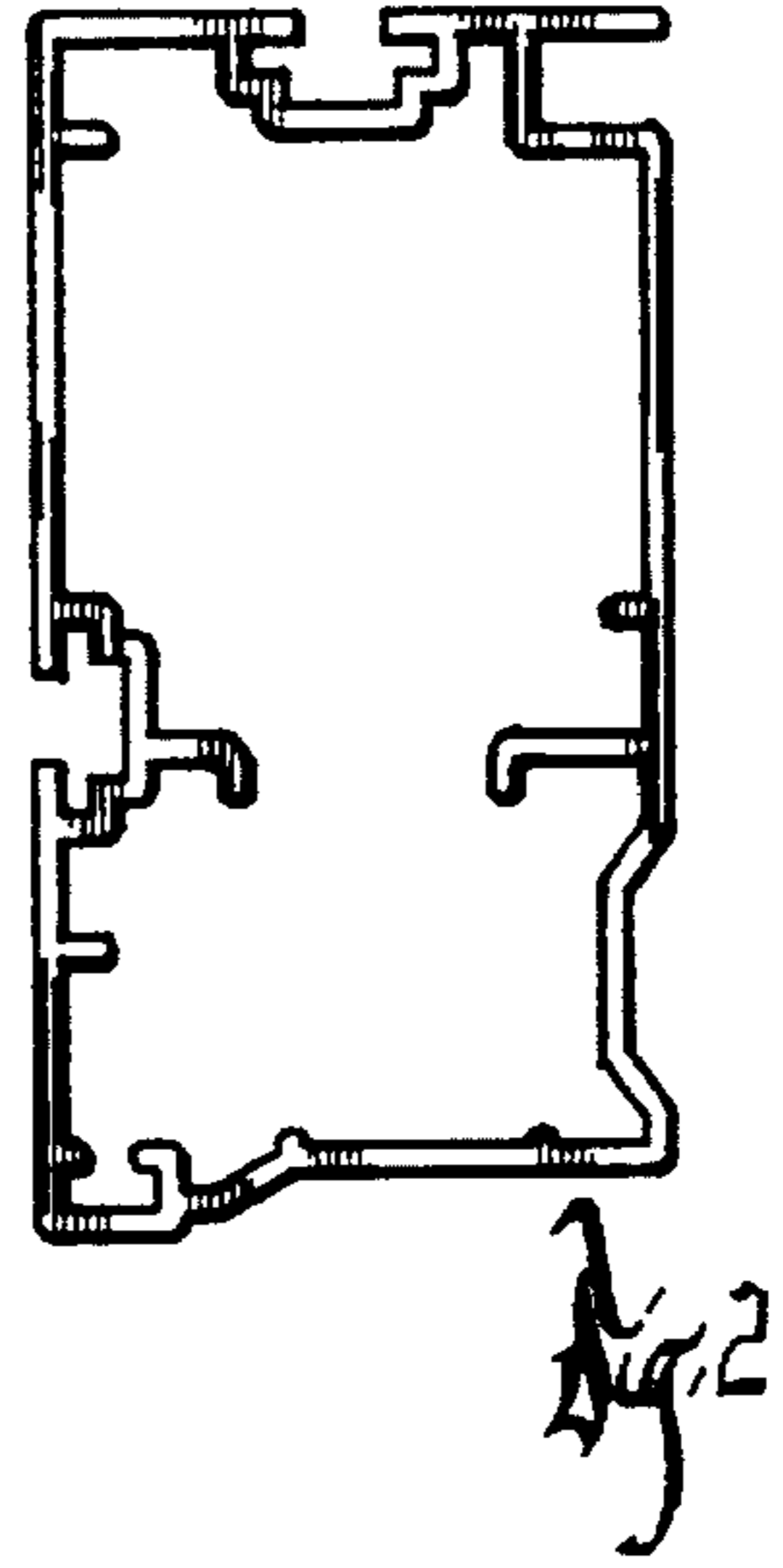
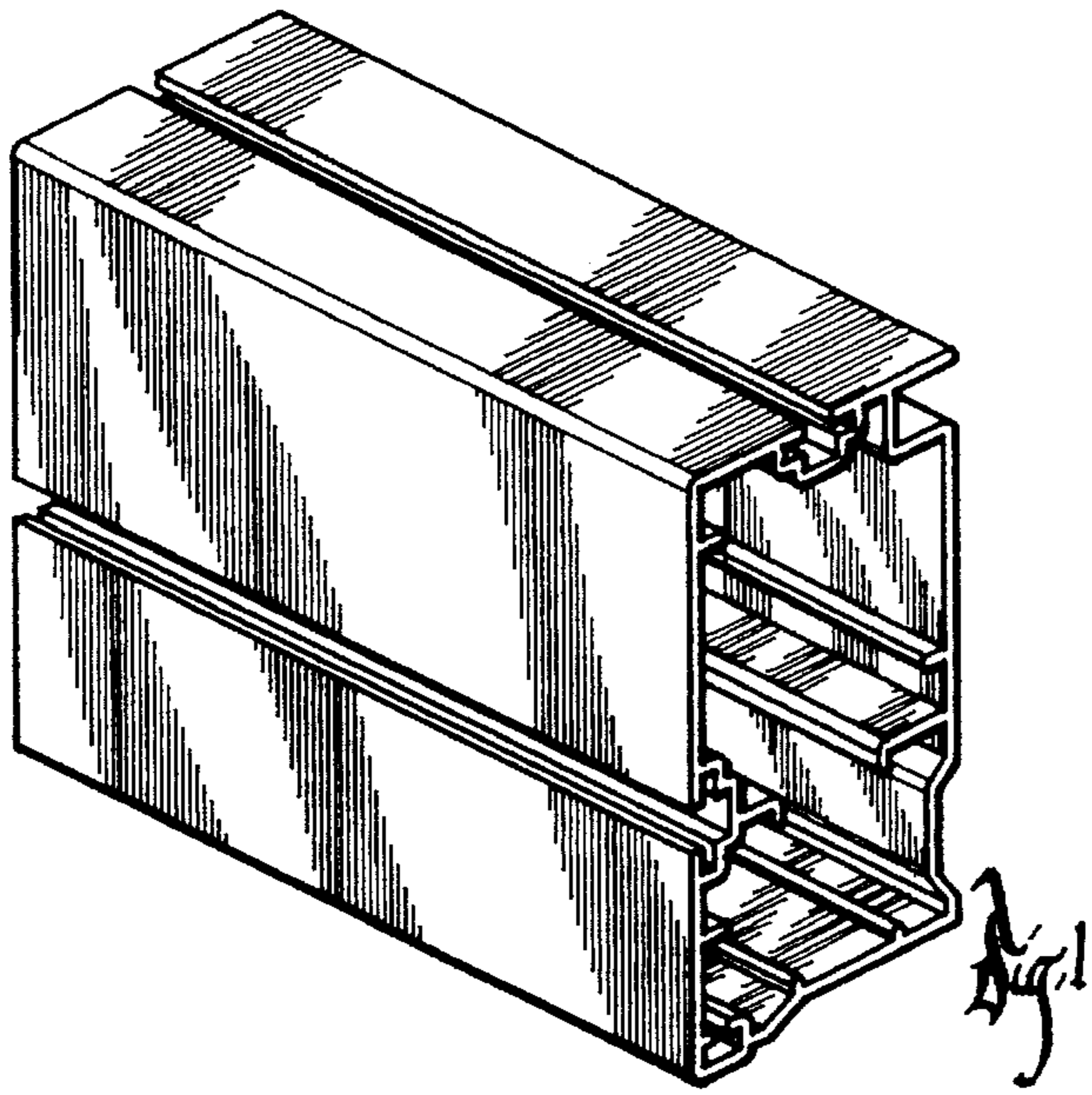


Fig. 6

Fig. 4

Fig. 5

Fig. 3

Fig. 1

Fig. 2