



US00D365887S

United States Patent [19]

[11] **Patent Number: Des. 365,887**

Pickett

[45] **Date of Patent: **Jan. 2, 1996**

[54] **WALL SUPPORTED LIGHTING FIXTURE**

Primary Examiner—Susan J. Lucas
Attorney, Agent, or Firm—Hill, Steadman & Simpson

[75] Inventor: **Mark A. Pickett**, Louisville, Ky.

[57] **CLAIM**

[73] Assignee: **Thomas Industries, Inc.**, Louisville, Ky.

The ornamental design for a “wall supported lighting fixture,” as shown and described.

[**] Term: **14 Years**

DESCRIPTION

[21] Appl. No.: **29,372**

FIG. 1 is a front elevational view of a wall supported lighting fixture according to this invention;

[22] Filed: **Oct. 4, 1994**

FIG. 2 is a top plan view of the fixture of FIG. 1;

[52] U.S. Cl. **D26/87**

FIG. 3 is a bottom plan view of the fixture of FIG. 1;

[58] Field of Search **D26/72, 80-92;**
362/147, 404-408, 432

FIG. 4 is a side elevational view on an enlarged scale of the fixture of FIG. 1 taken from the right side thereof; and,

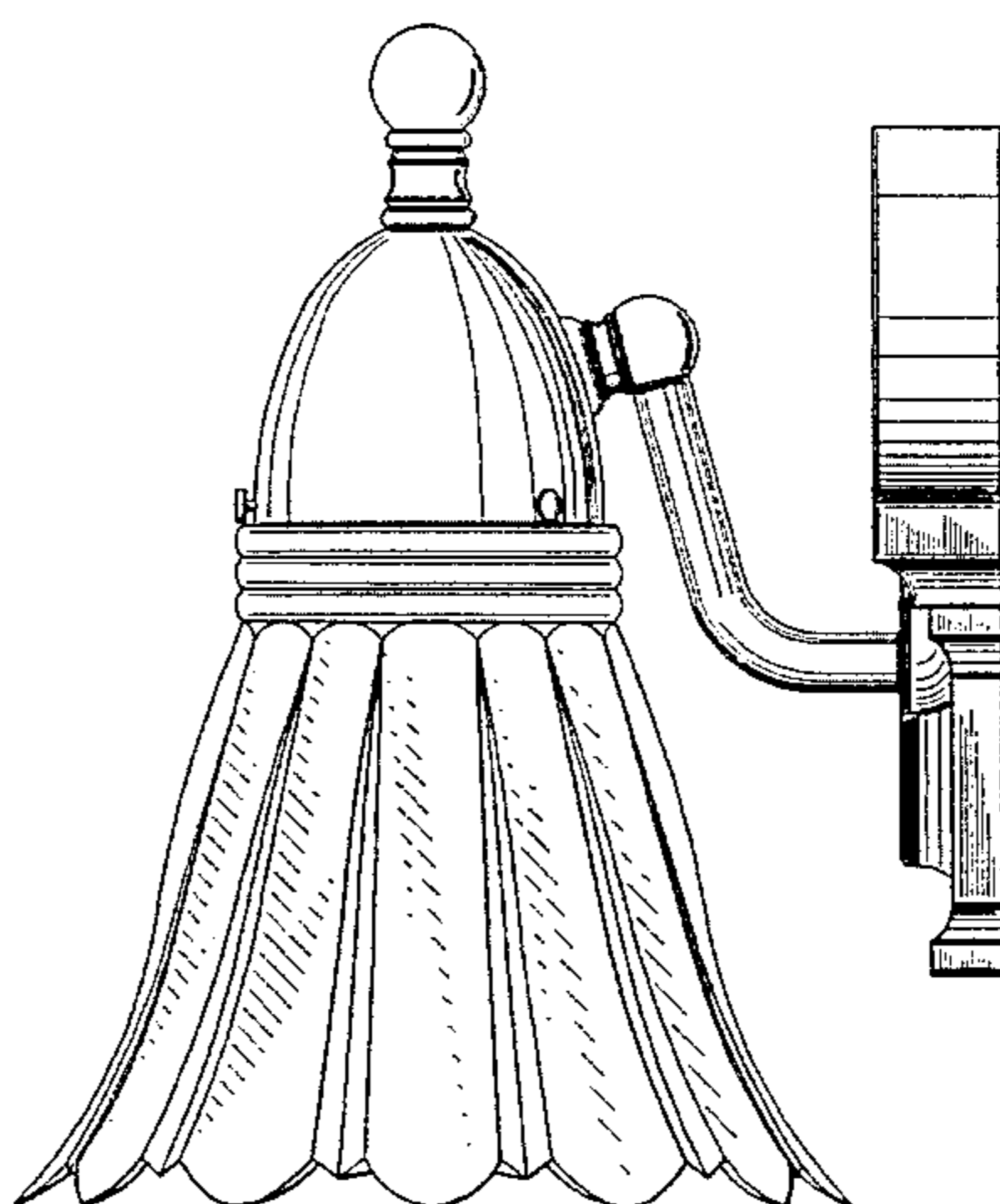
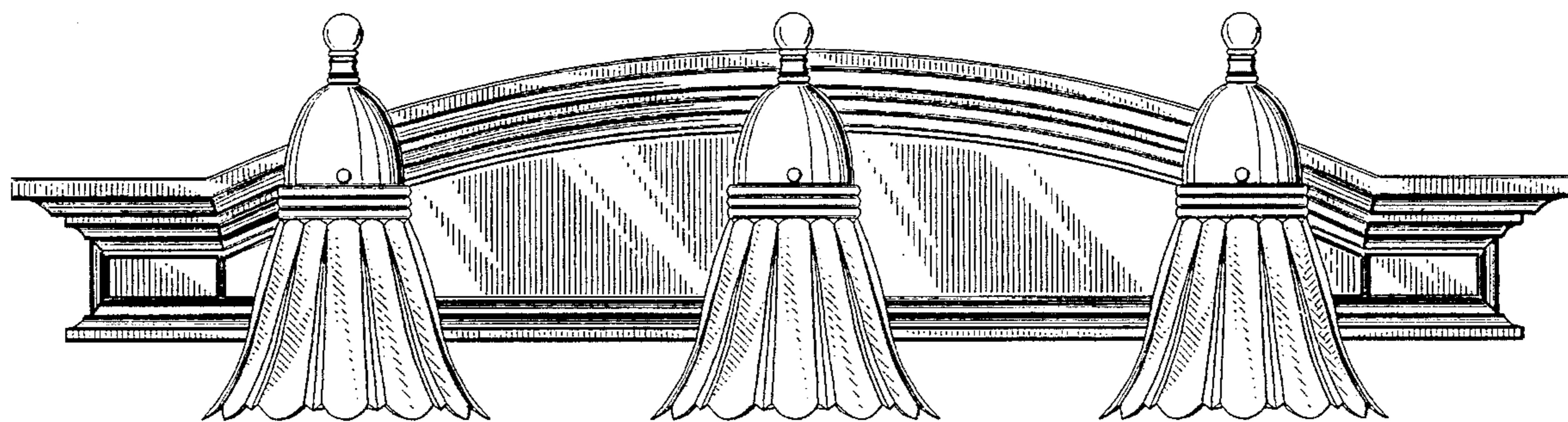
FIG. 5 is a side elevational view on an enlarged scale of the fixture of FIG. 1 taken from the left side thereof.

[56] **References Cited**

U.S. PATENT DOCUMENTS

- D. 356,383 3/1995 Pickett D26/87
- D. 356,384 3/1995 Pickett D26/92

1 Claim, 3 Drawing Sheets



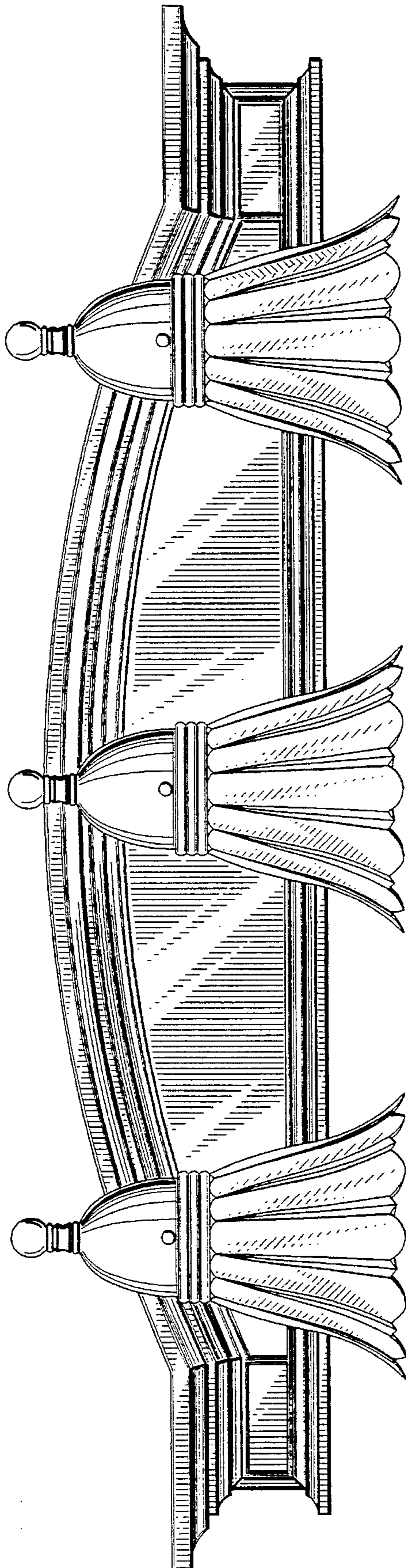


FIG. 1

FIG. 2

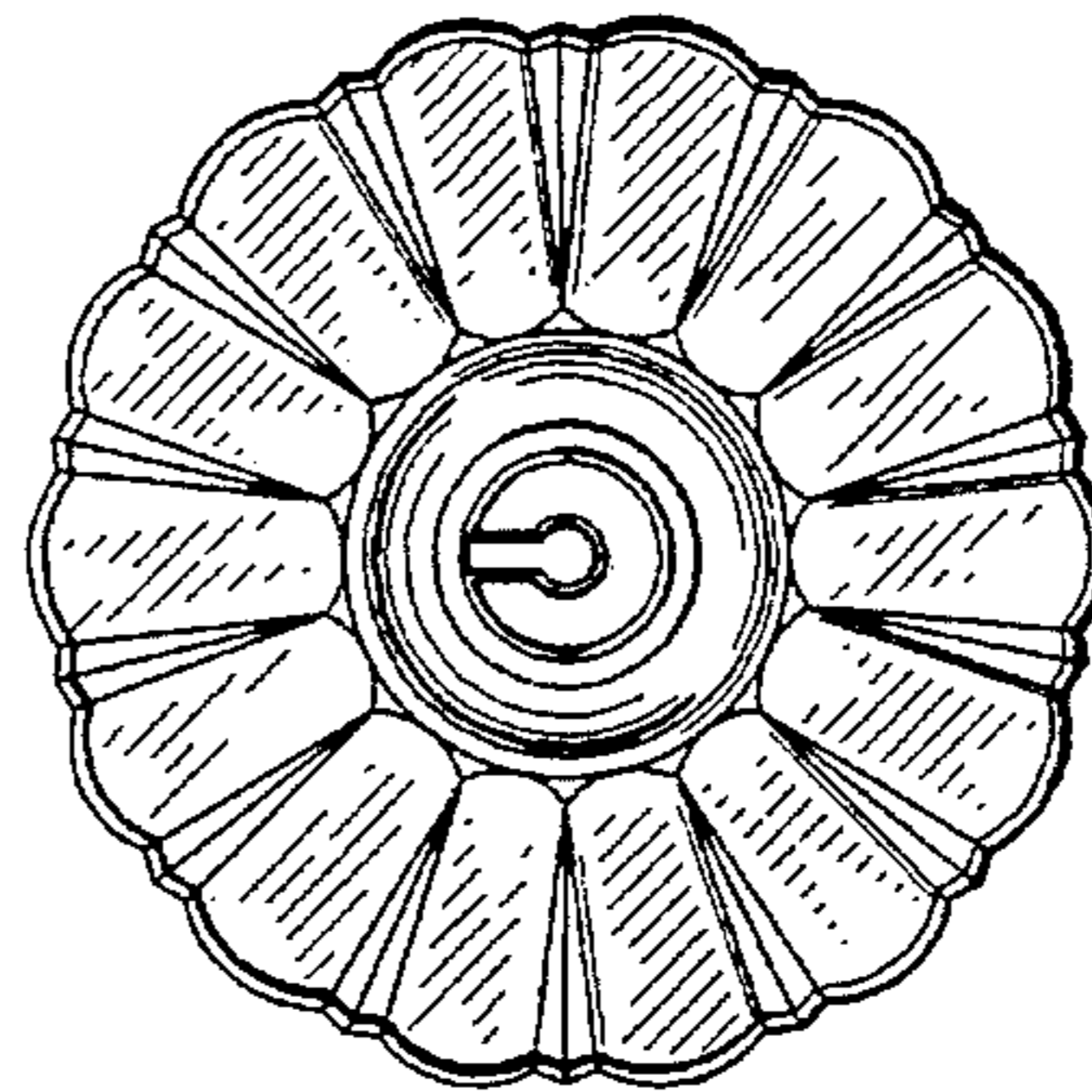
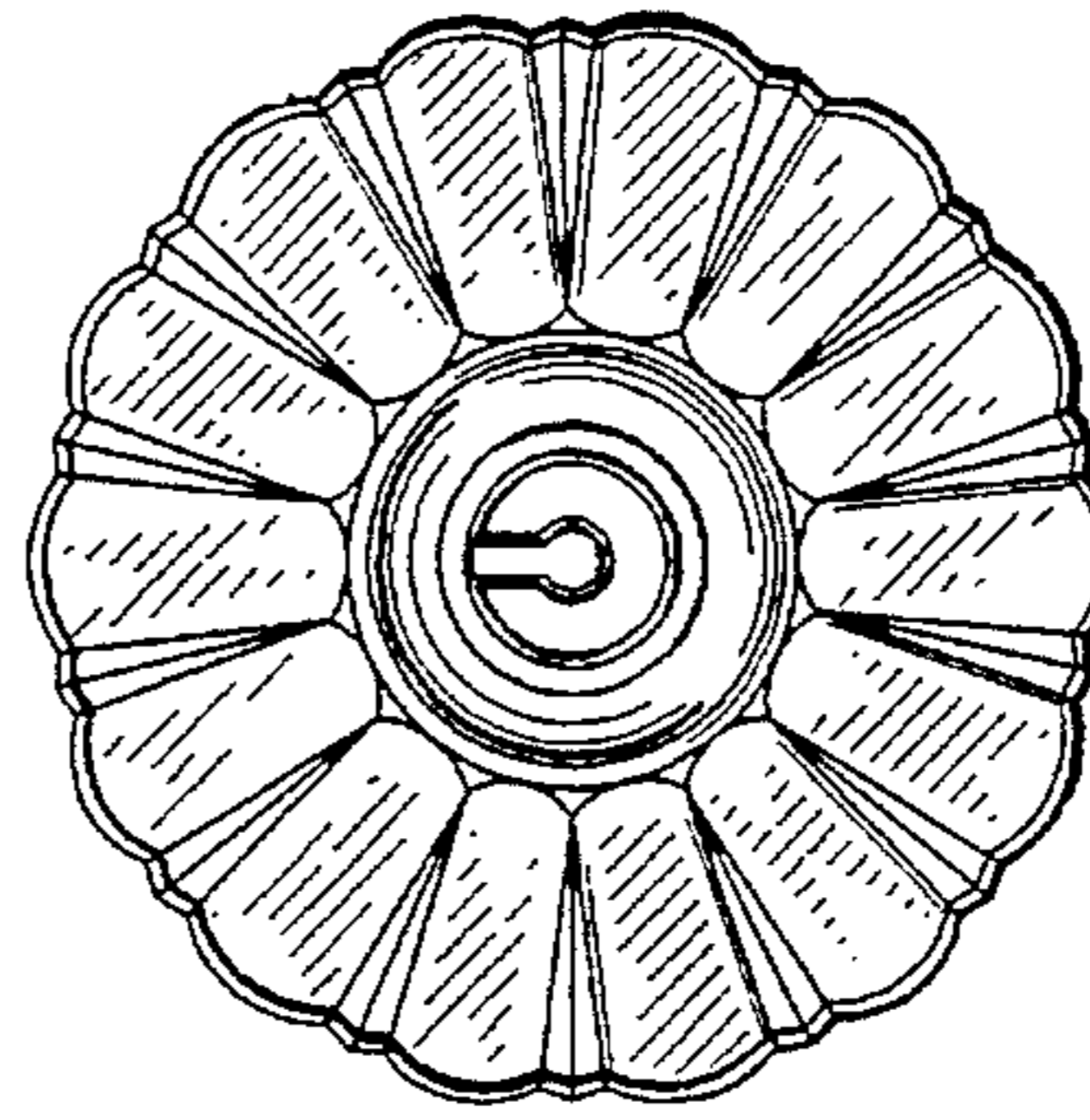
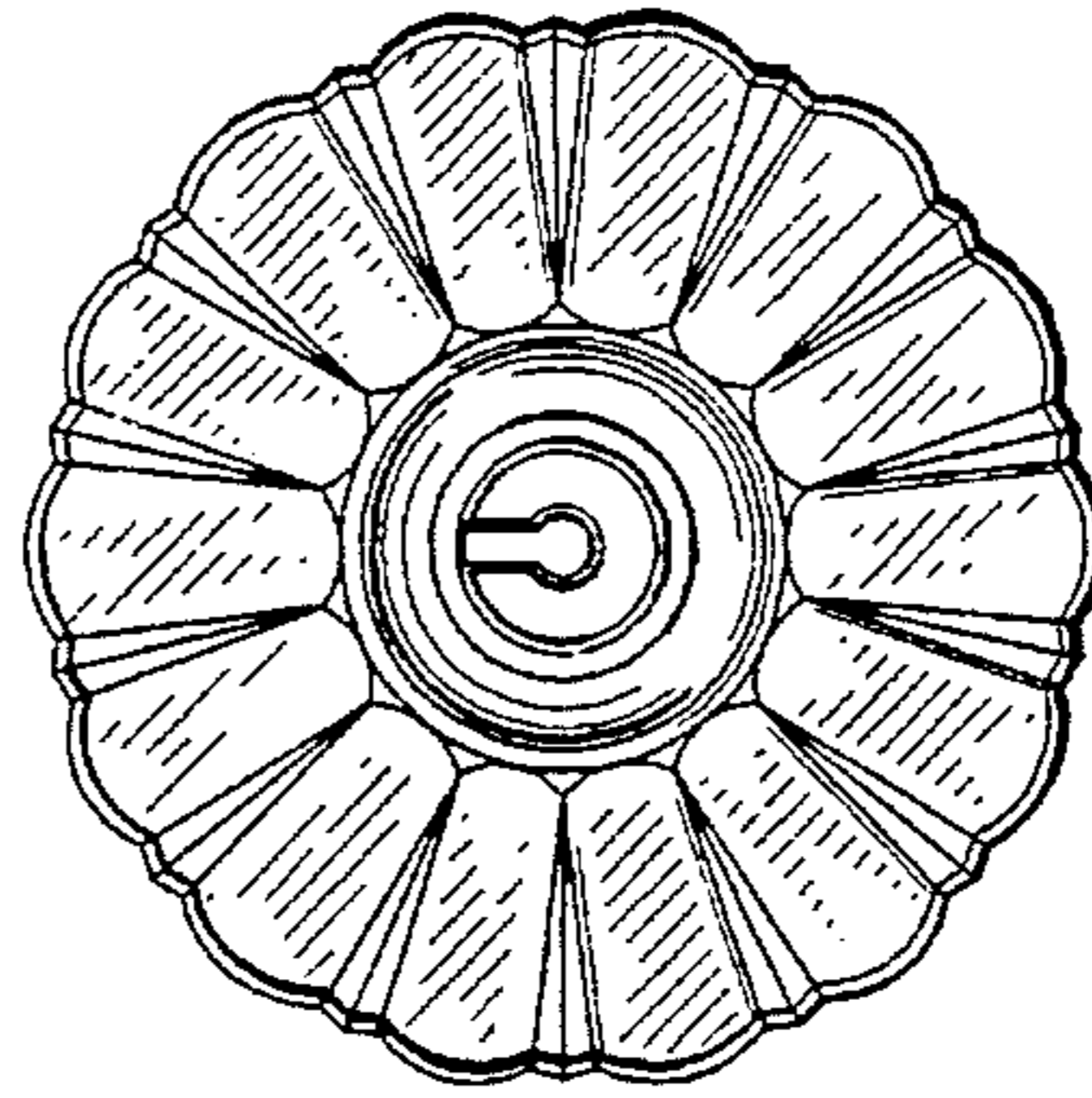
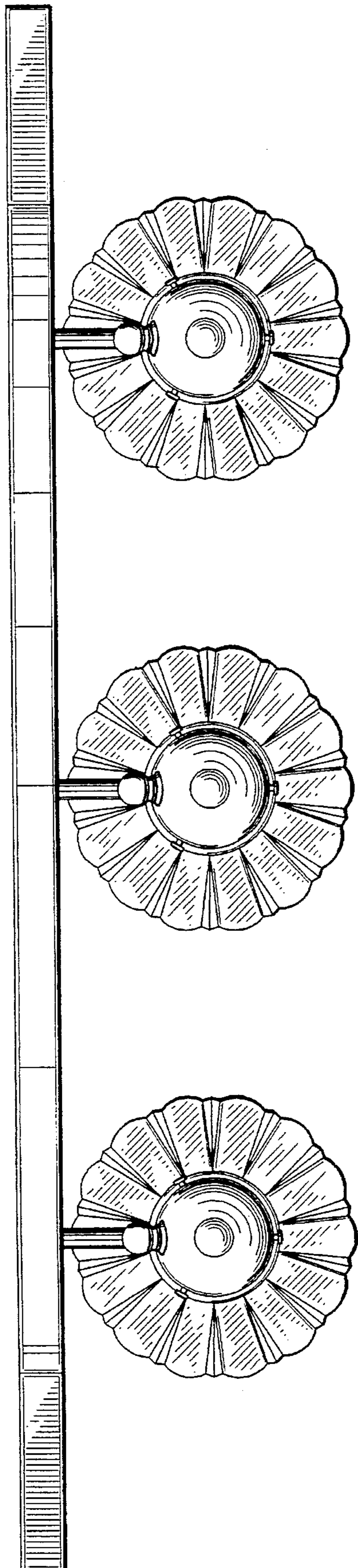


FIG. 3



FIG. 5

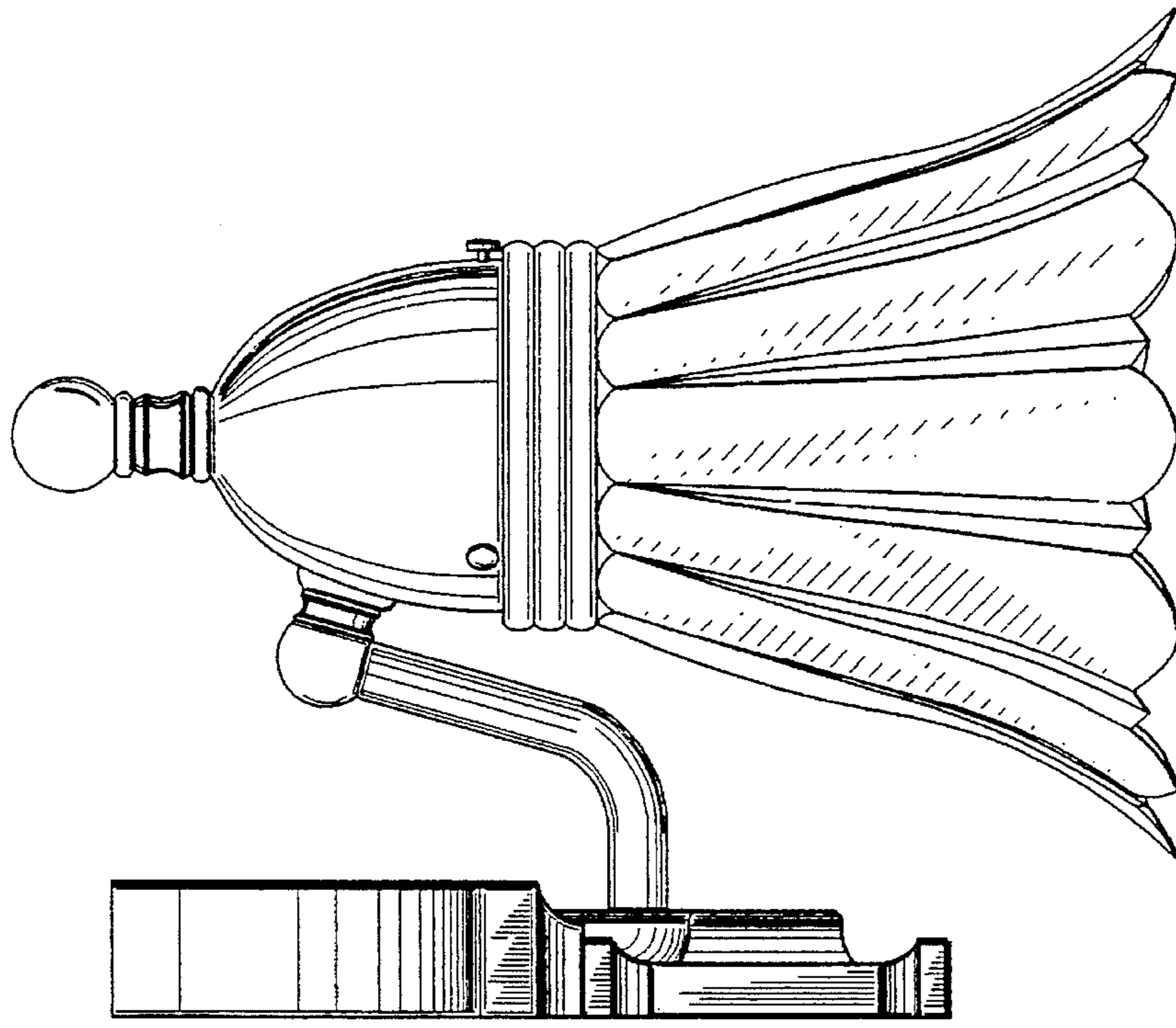


FIG. 4

