



US00D365886S

United States Patent [19]

[11] Patent Number: **Des. 365,886**

Strazhnik

[45] Date of Patent: ****Jan. 2, 1996**

[54] LIGHT HOUSING

[75] Inventor: **Michael M. Strazhnik**, Philadelphia, Pa.

[73] Assignee: **Sea Gull Lighting**, Riverside, N.J.

[**] Term: **14 Years**

[21] Appl. No.: **25,434**

[22] Filed: **Jul. 1, 1994**

[52] U.S. Cl. **D26/60**; D13/134; D26/24

[58] Field of Search D26/60, 24, 25; 362/396, 226, 236, 237, 238, 240, 249, 250, 291; 439/391, 395, 409, 410, 414, 417, 419, 505, 658, 689, 699; D13/134

[56] **References Cited**

U.S. PATENT DOCUMENTS

4,777,573	10/1988	Liao	362/249
5,121,310	6/1992	Ahroni	362/238
5,228,774	7/1993	Liao	362/396 X
5,339,232	8/1994	Lin	362/226 X

Primary Examiner—Susan J. Lucas
Attorney, Agent, or Firm—Seidel, Gonda, Lavorgna & Monaco

[57] CLAIM

The ornamental design of a light housing, as shown and described.

DESCRIPTION

FIG. 1 is a perspective view of a first embodiment of a light housing showing my new design;

FIG. 2 is a front elevation view thereof;

FIG. 3 is a rear elevation view thereof;

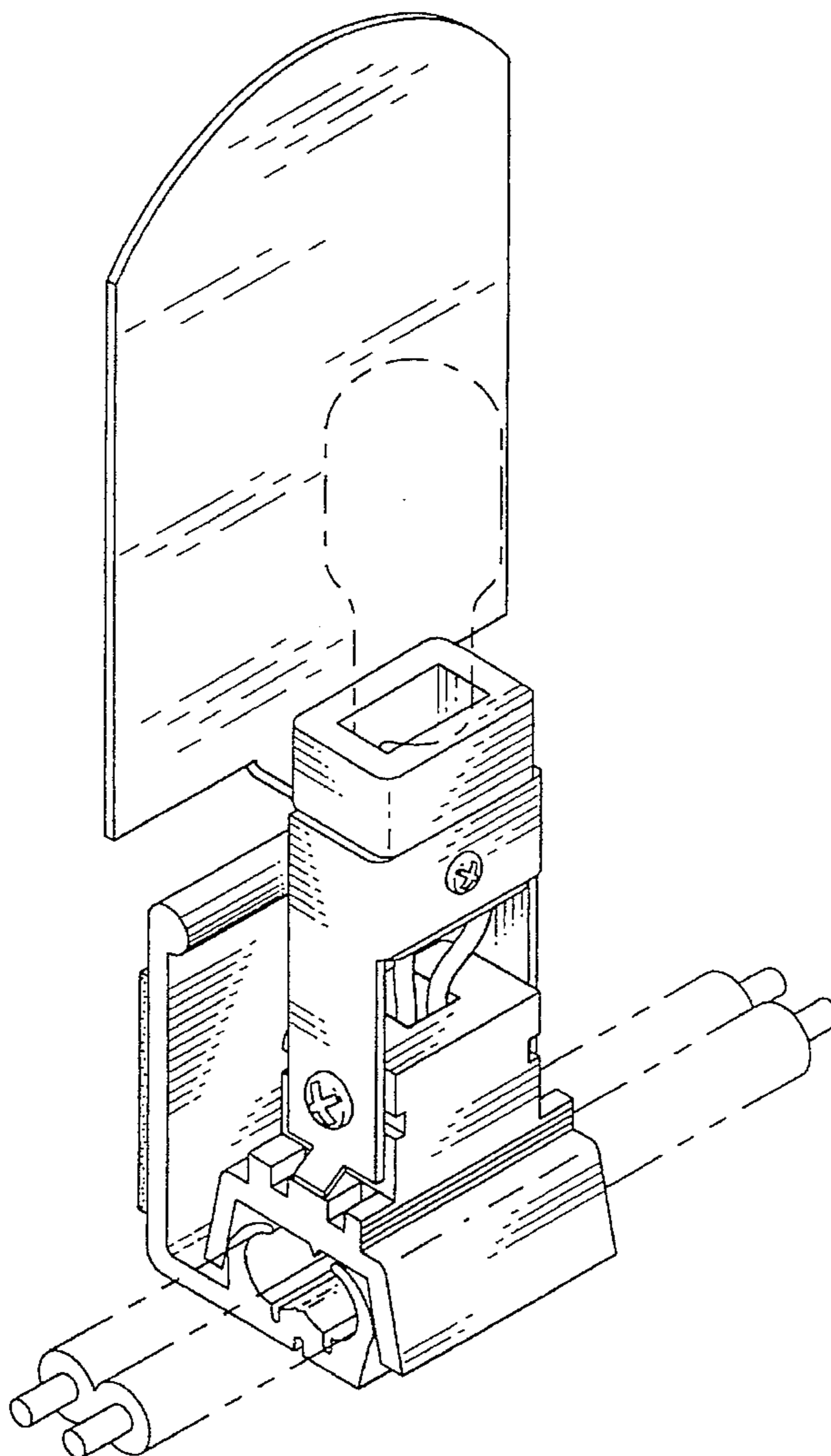
FIG. 4 is a top plan view thereof;

FIG. 5 is a bottom plan view thereof; and,

FIG. 6 is a side elevation view thereof, the opposite side view being complementary.

The light bulb and electrical wire are shown in broken lines for illustrative purposes only and form no part of the claimed design.

1 Claim, 3 Drawing Sheets



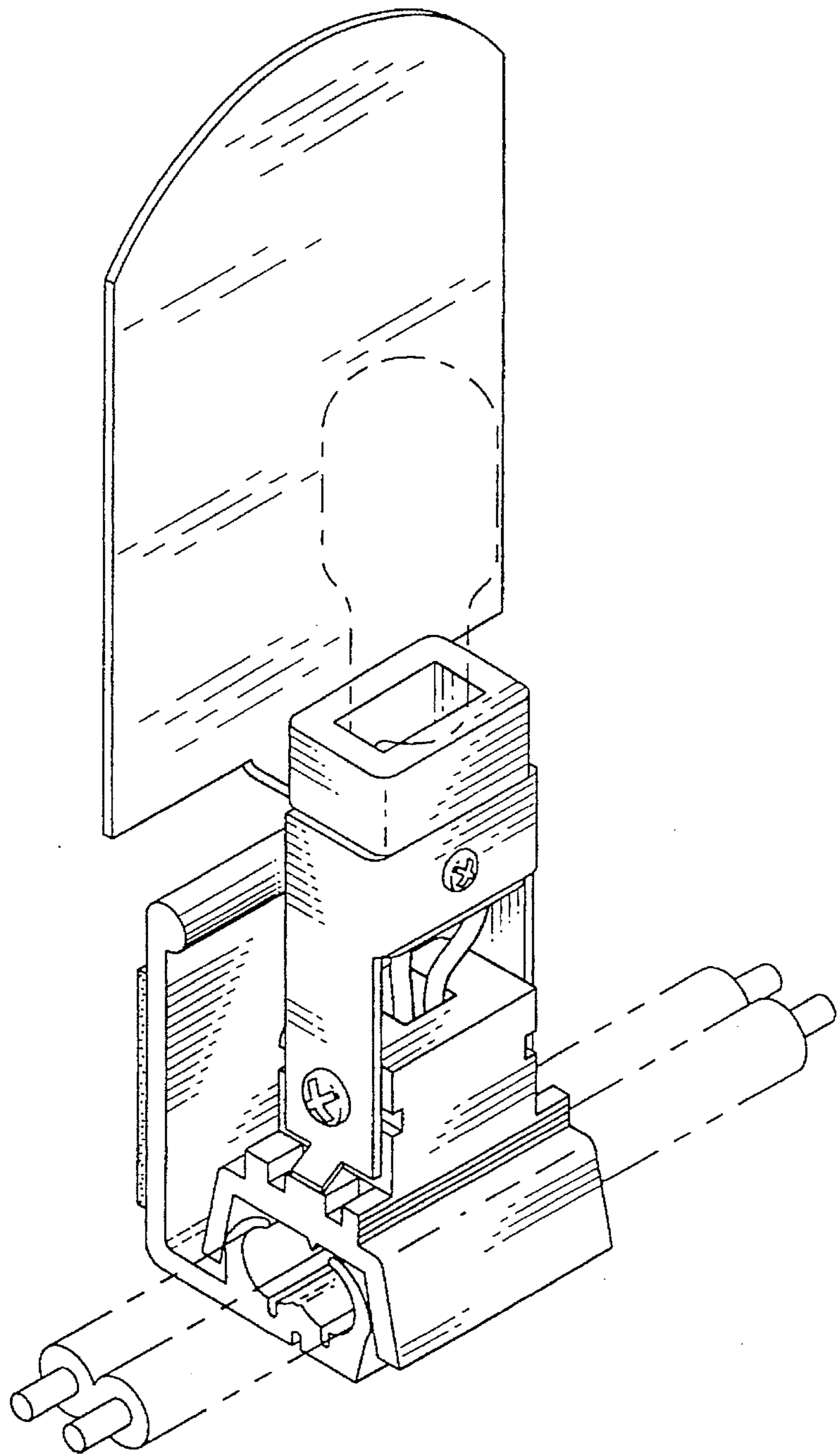


FIG. 1

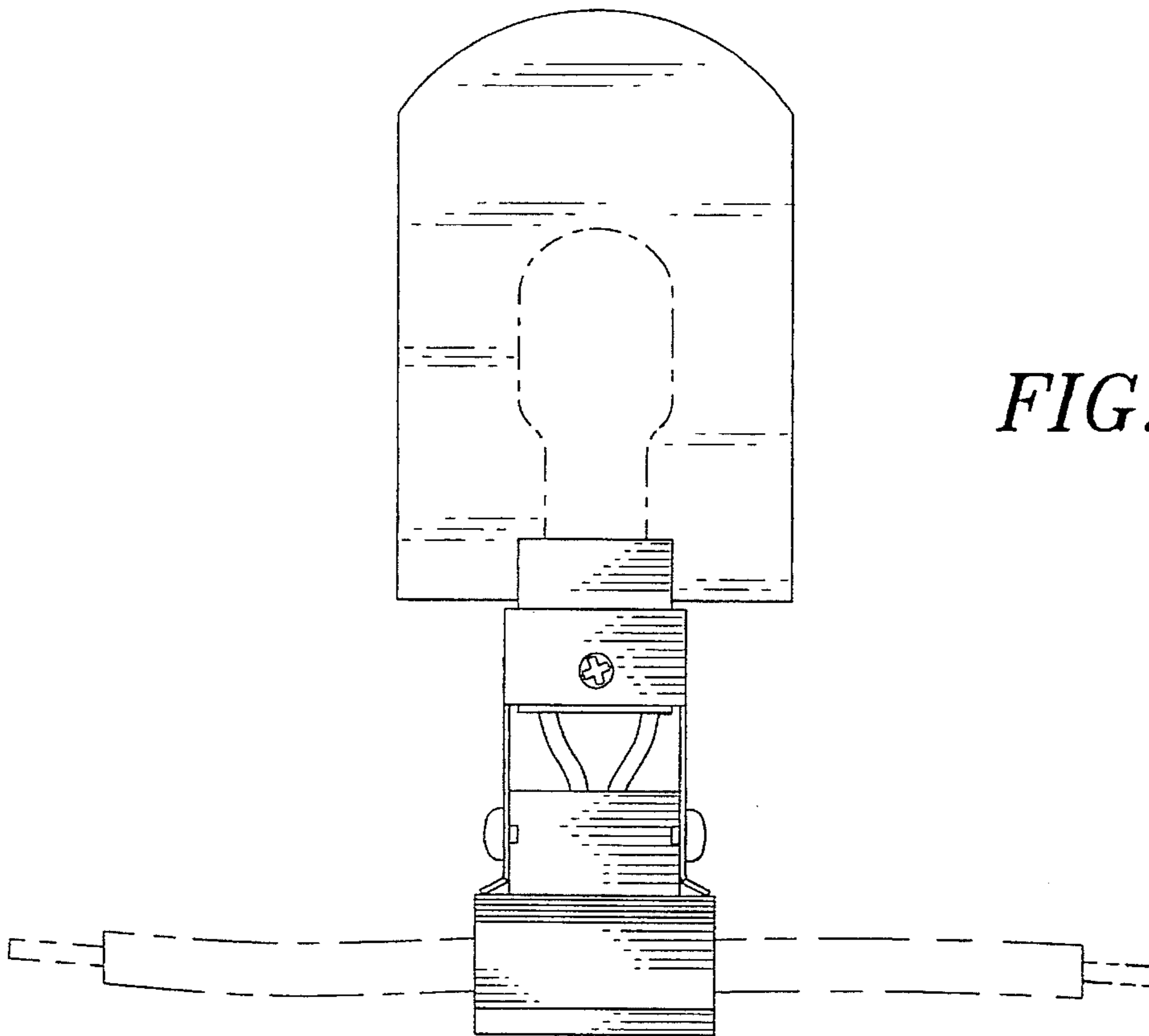


FIG. 2

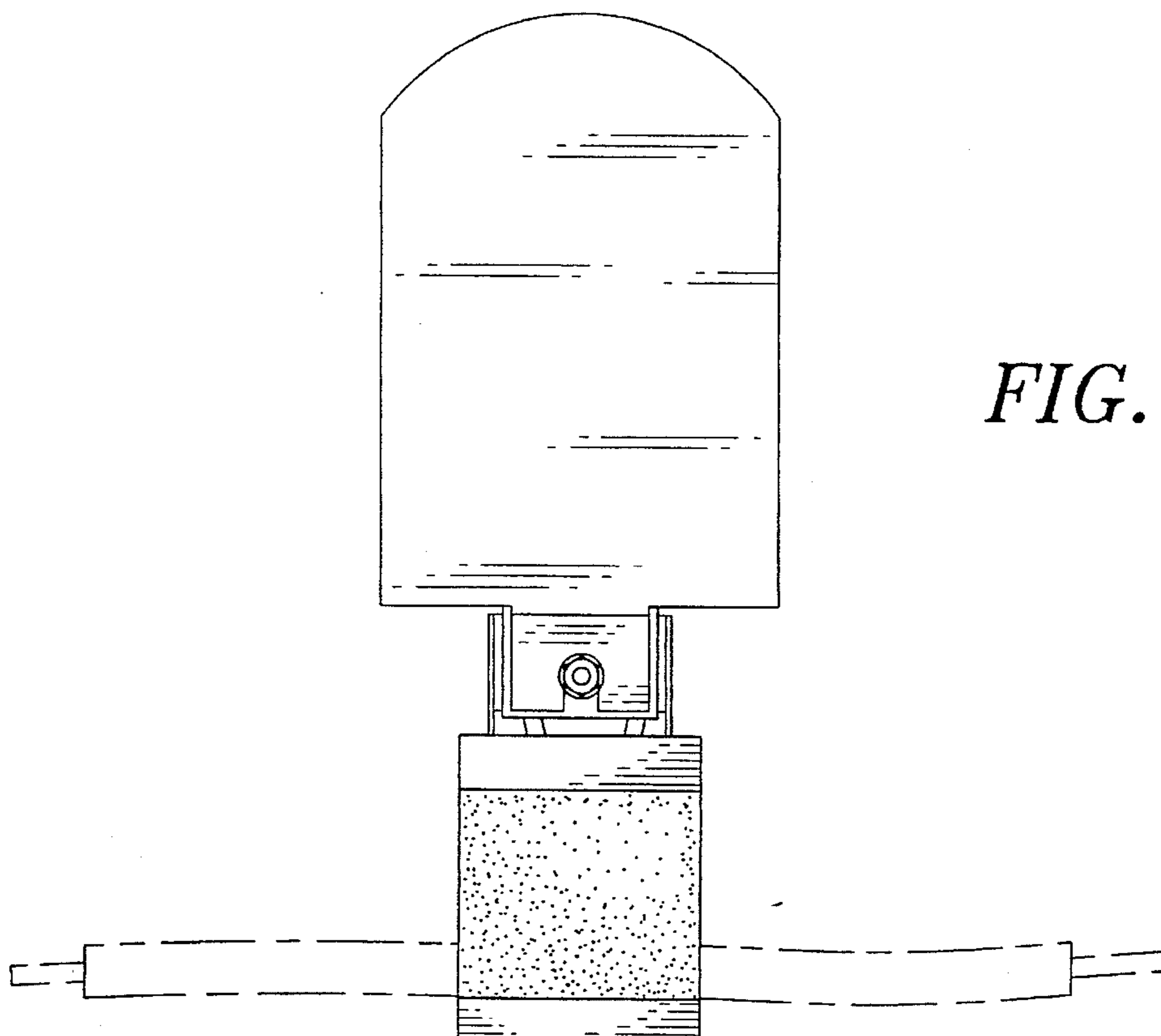


FIG. 3

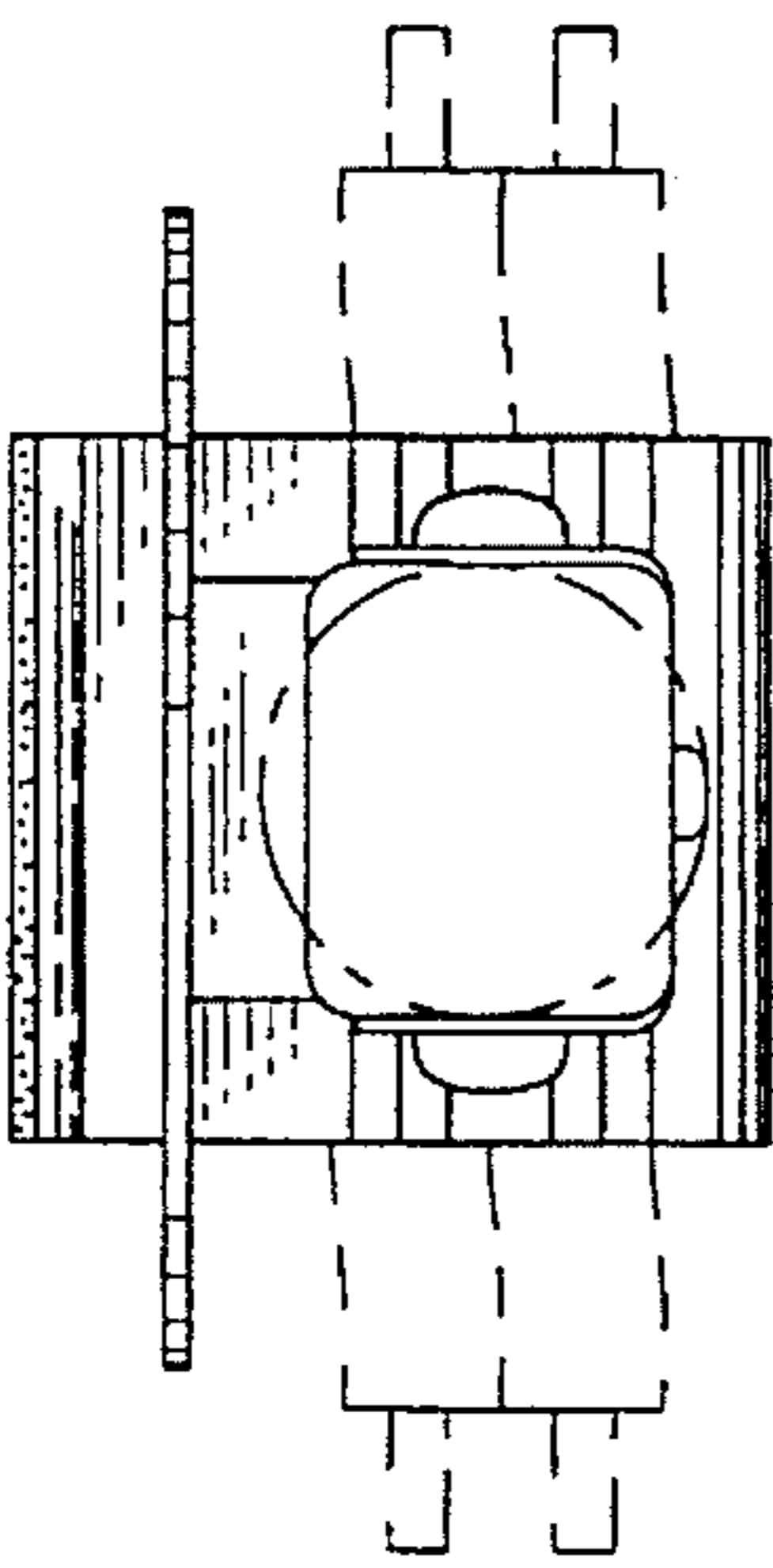


FIG. 4

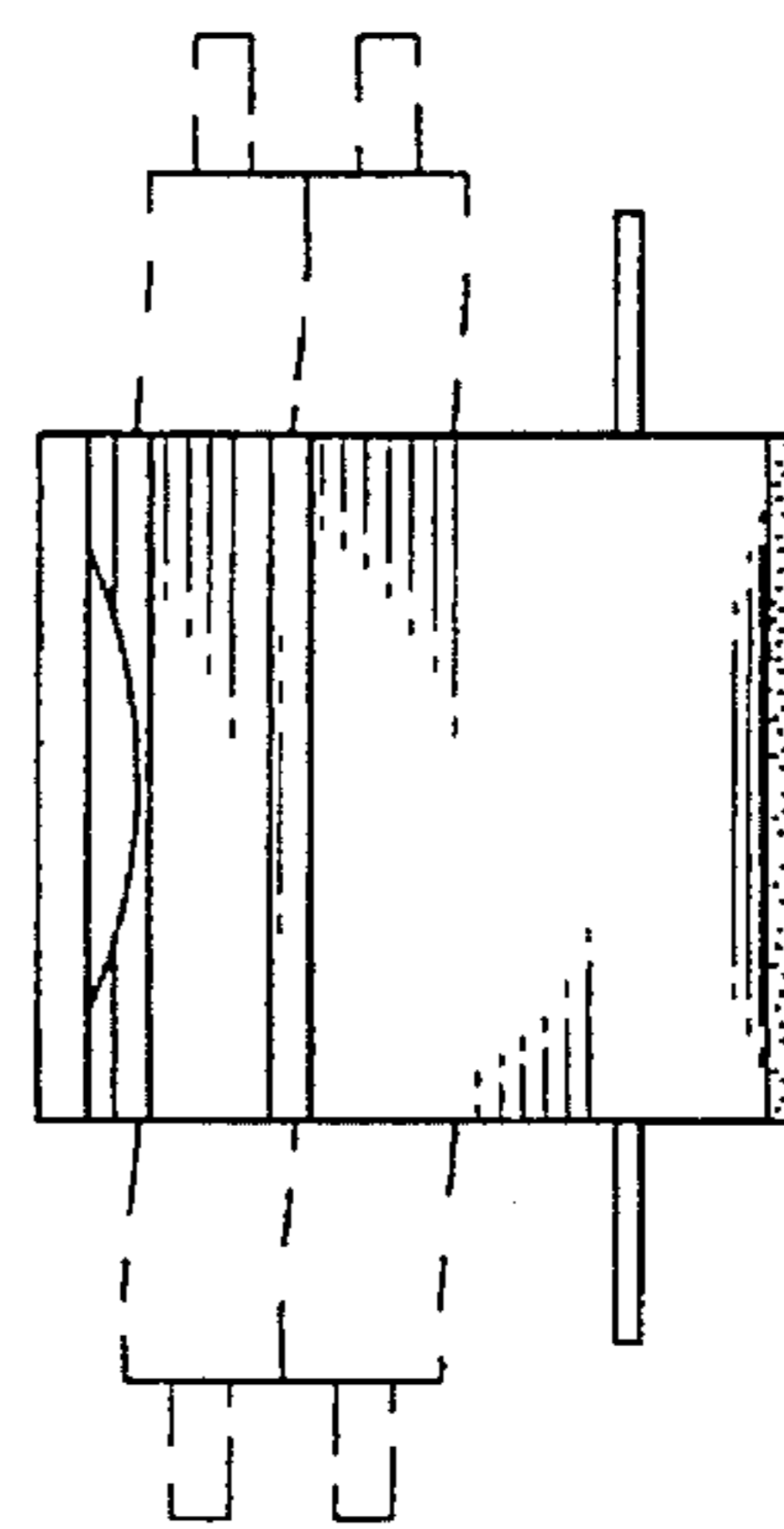


FIG. 5

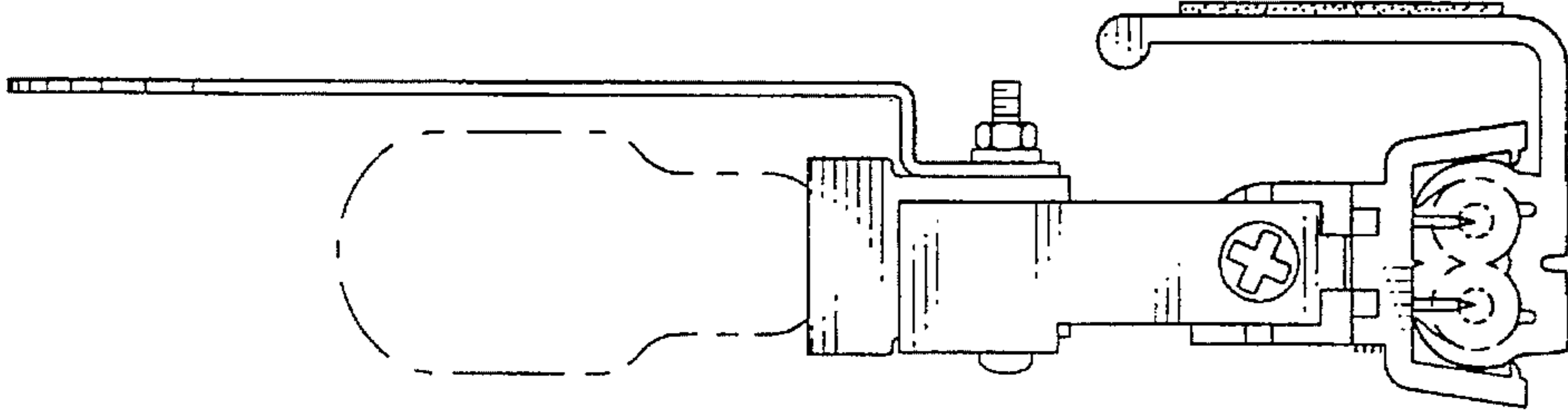


FIG. 6