



US00D365881S

United States Patent [19]

[11] Patent Number: **Des. 365,881**

Tiefenthal et al.

[45] Date of Patent: ****Jan. 2, 1996**

[54] **TUBE PLACEMENT VERIFIER**

5,425,382 6/1995 Golden et al. 128/899
5,445,144 8/1995 Wodicka et al. 128/899 X

[75] Inventors: **James L. Tiefenthal**, Dublin; **Donald J. Goldhardt**, Grove City, both of Ohio; **James D. Morrow**, Oak Park, Ill.

Primary Examiner—Stella Reid
Attorney, Agent, or Firm—Lonnie R. Drayer

[73] Assignee: **Abbott Laboratories**, Abbott Park, Ill.

[57] **CLAIM**

[**] Term: **14 Years**

The ornamental design for a tube placement verifier, as shown and described.

[21] Appl. No.: **27,329**

DESCRIPTION

[22] Filed: **Aug. 18, 1994**

[52] U.S. Cl. **D24/186; D24/158**

[58] Field of Search D24/158, 186;
128/899, 653.1, 654, 656, 658, 903, 207.14;
607/116, 154

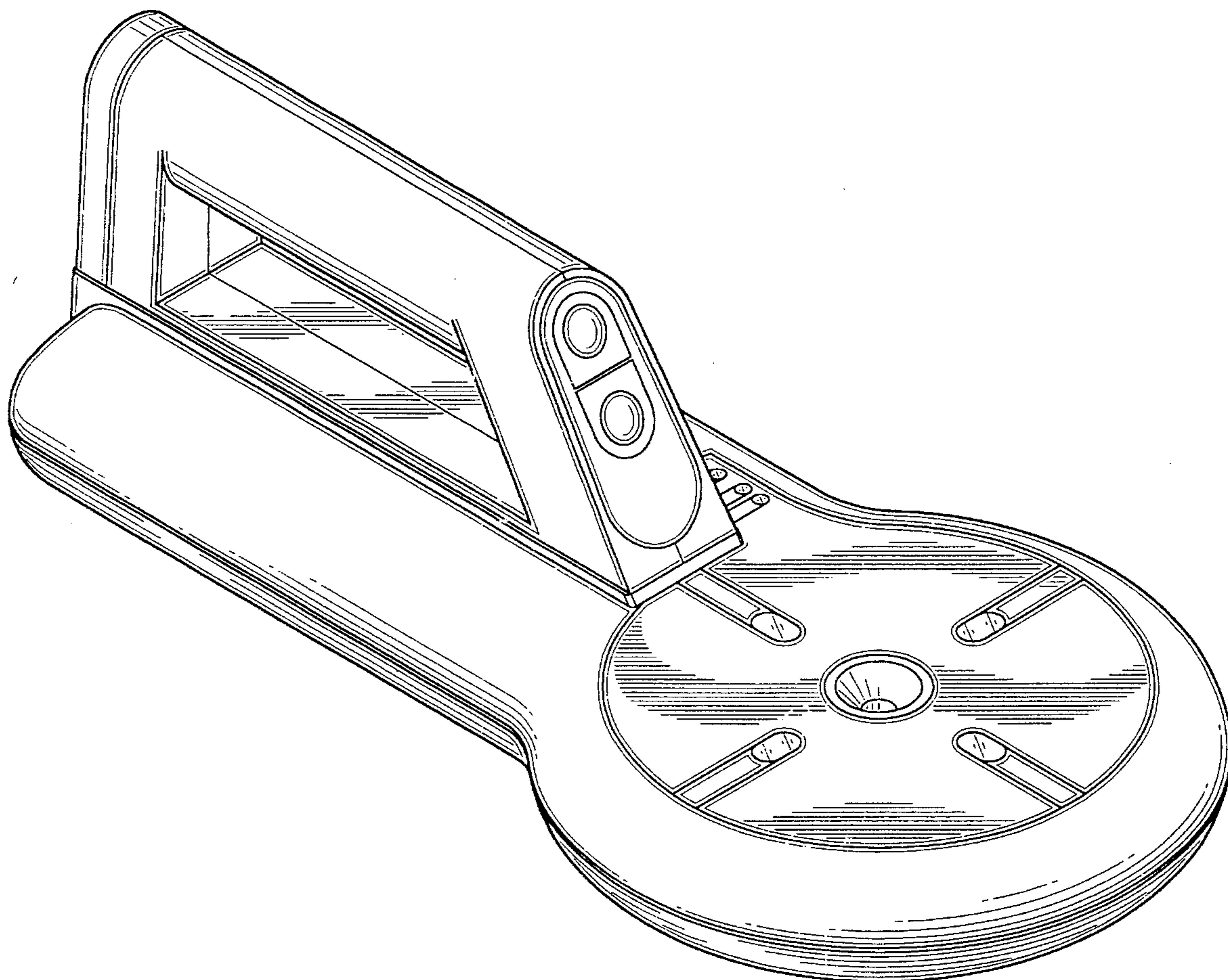
FIG. 1 is a perspective view of a tube placement verifier showing our new design;
FIG. 2 is a top view thereof;
FIG. 3 is a first side elevation view thereof;
FIG. 4 is a second side elevation view thereof showing the side opposite that shown in FIG. 3;
FIG. 5 is a front elevation view thereof;
FIG. 6 is a rear elevation view thereof; and,
FIG. 7 is a bottom view thereof.

[56] **References Cited**

U.S. PATENT DOCUMENTS

5,005,592 4/1991 Cartmell 128/899
5,316,024 5/1994 Hirschi et al. 128/899
5,325,873 7/1994 Hirschi et al. 128/899

1 Claim, 6 Drawing Sheets



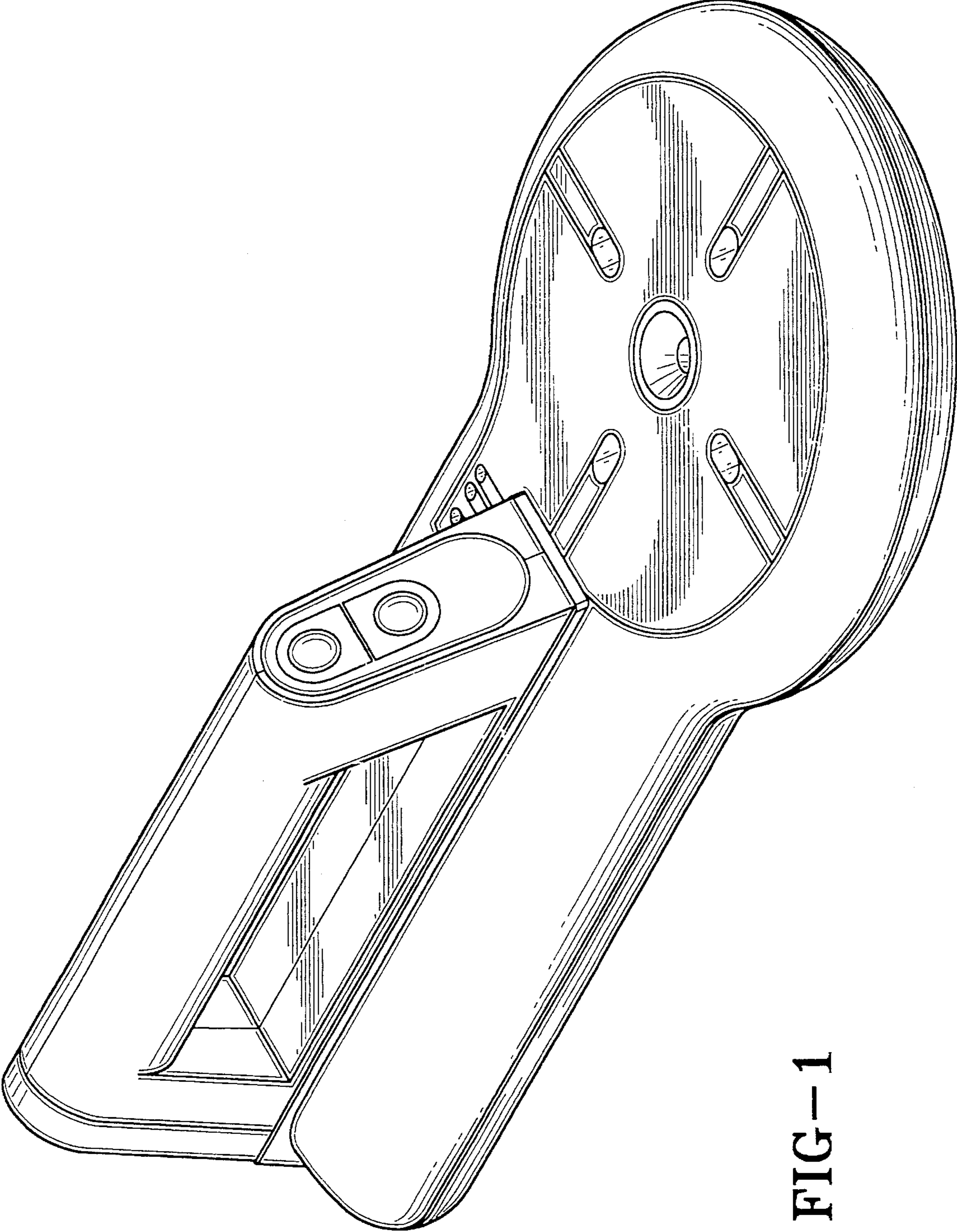


FIG-1

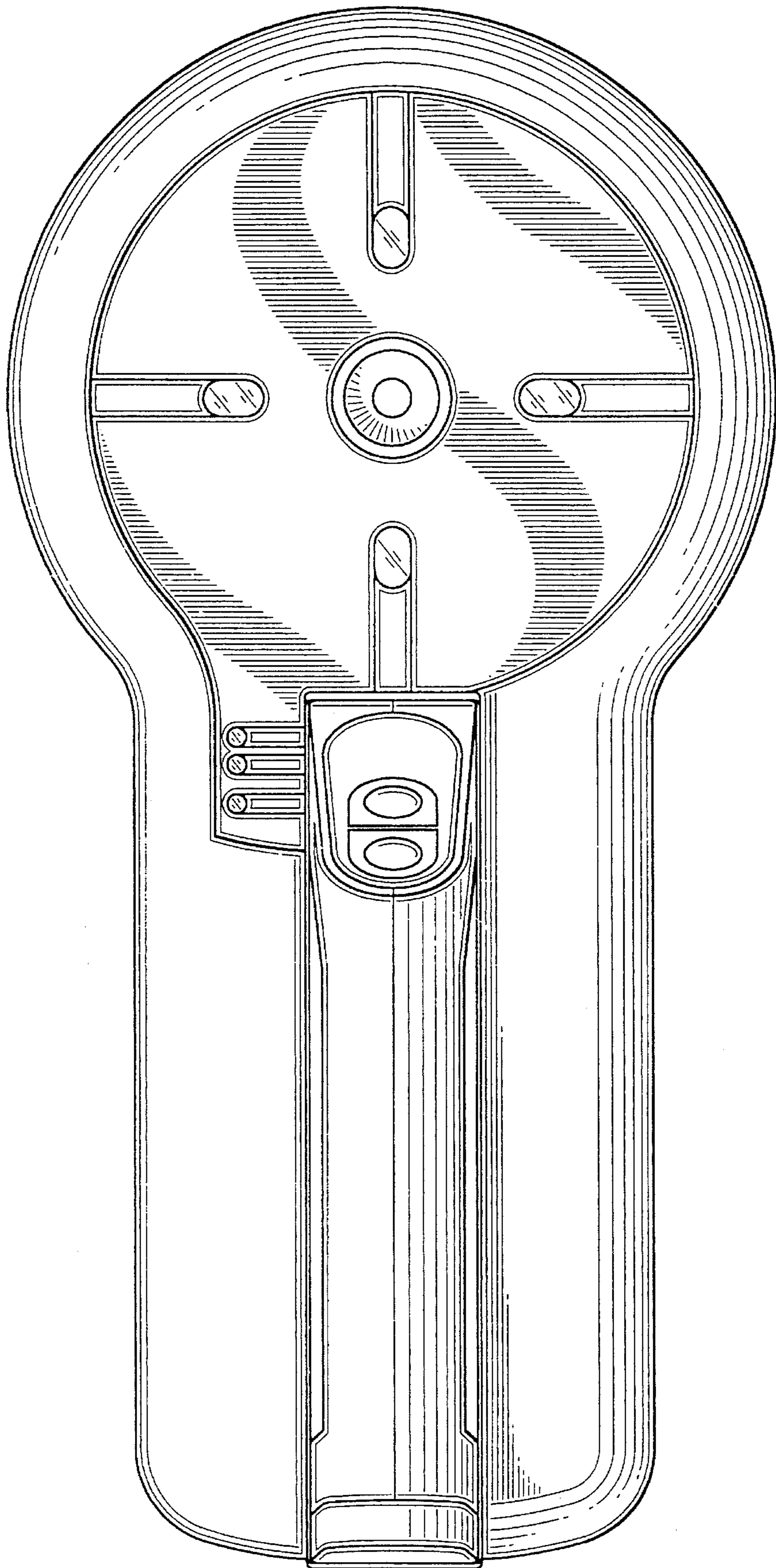


FIG-2

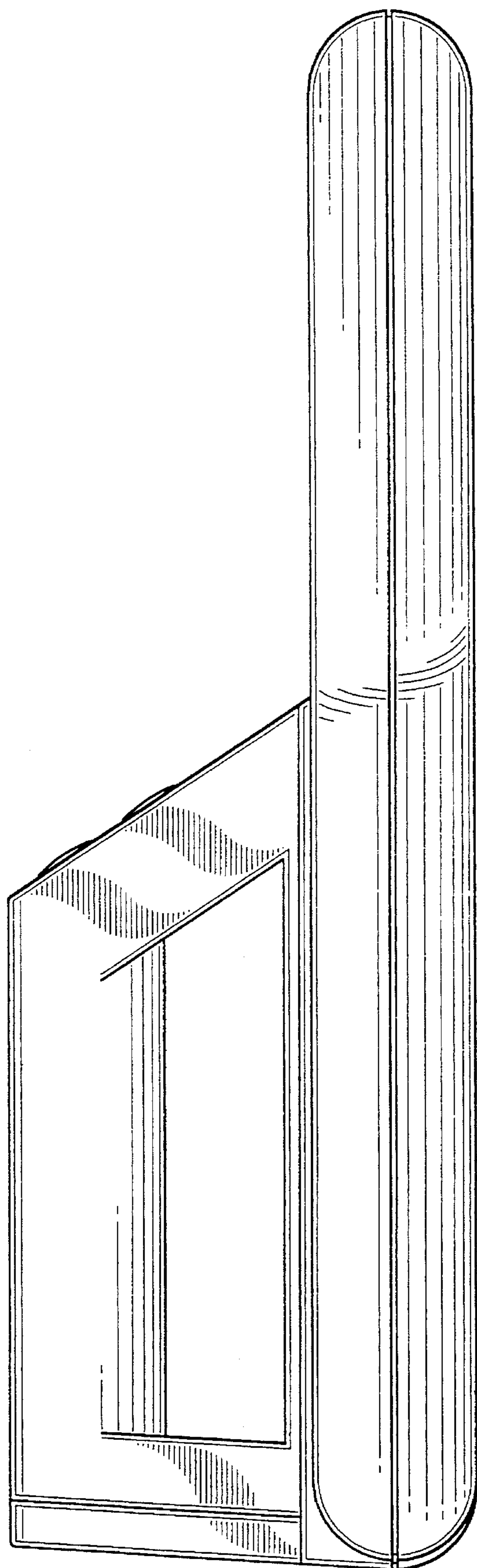


FIG-3

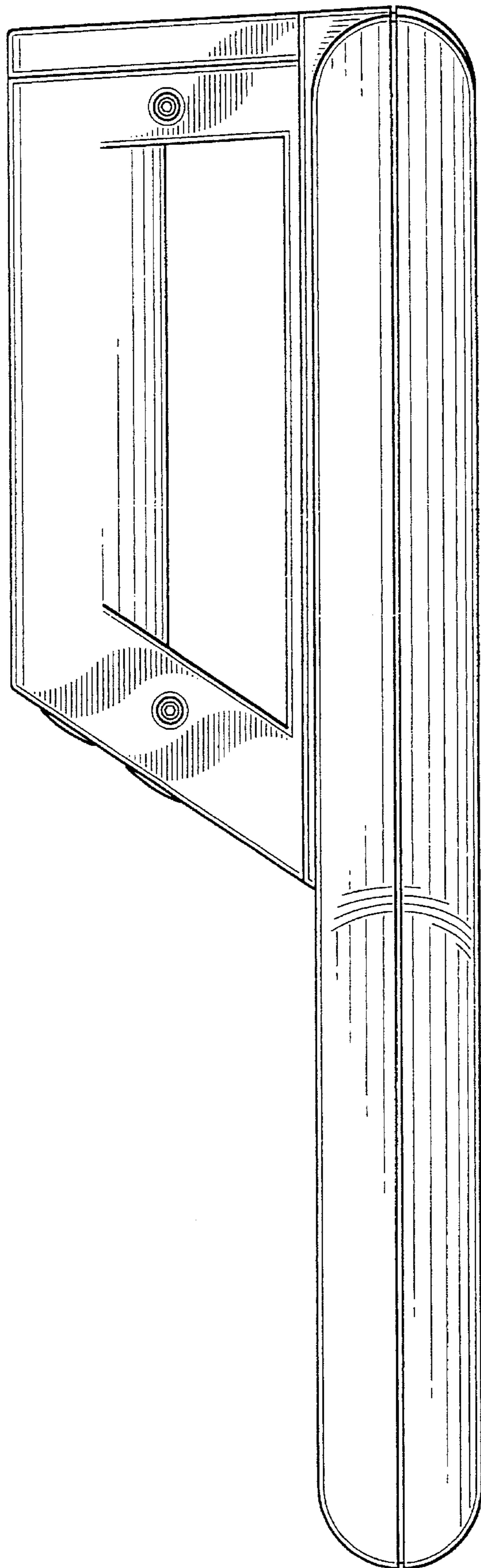


FIG-4

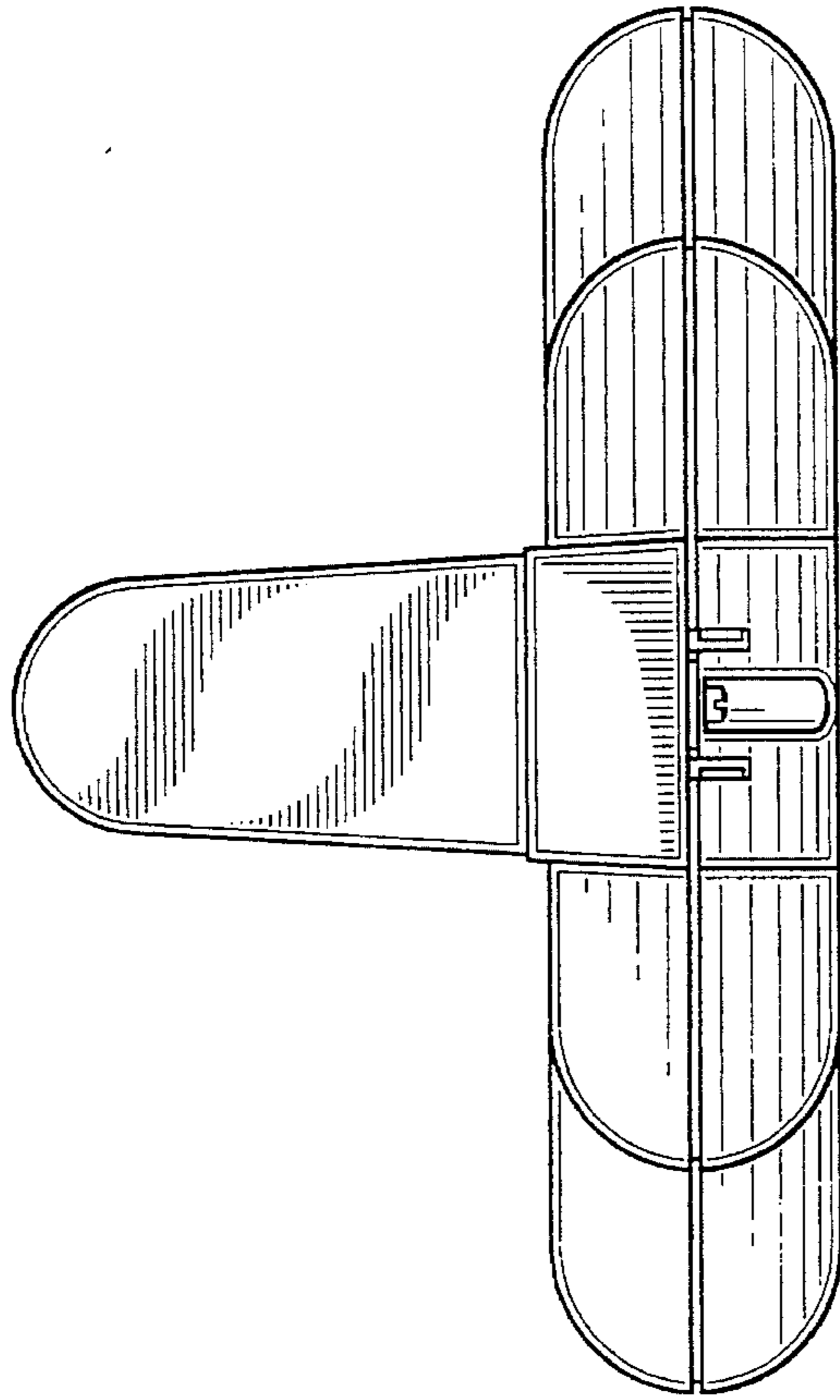


FIG-6

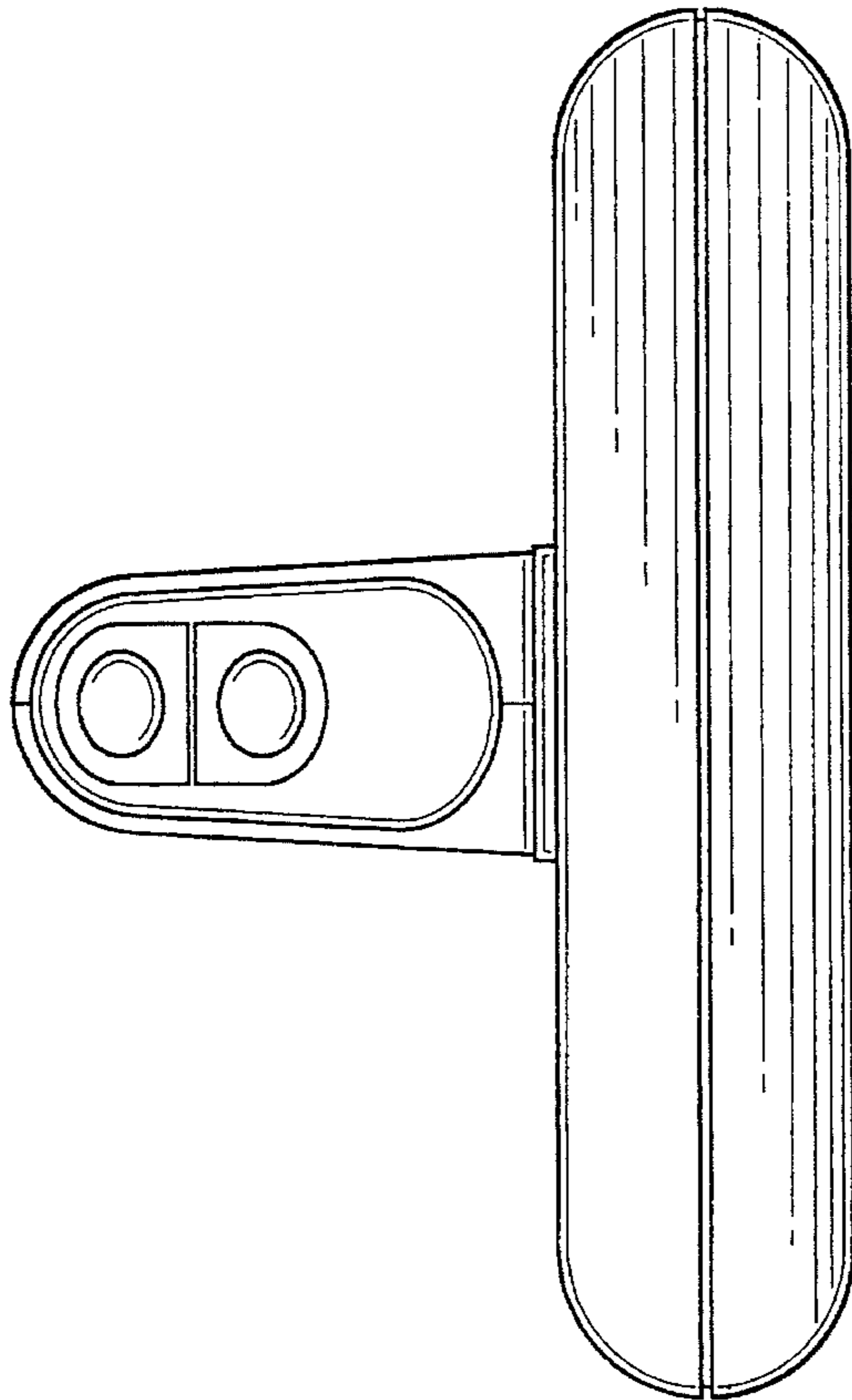


FIG-5

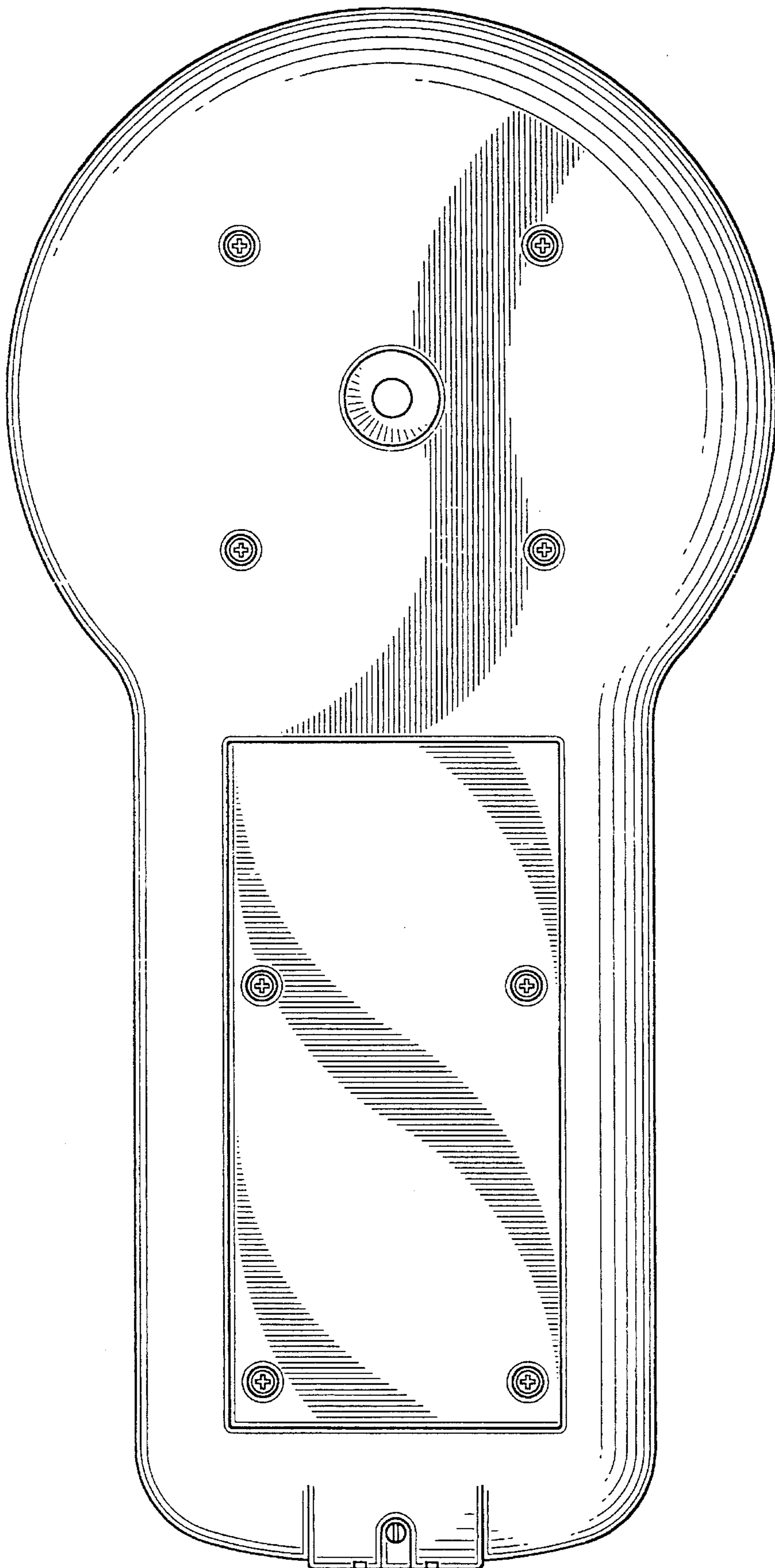


FIG-7