



US00D365880S

United States Patent [19]

[11] Patent Number: **Des. 365,880**

Tiefenthal et al.

[45] Date of Patent: ****Jan. 2, 1996**

[54] **TUBE PLACEMENT VERIFIER WITH BATTERY CHARGER**

| | | | |
|-----------|--------|----------------|-----------|
| 5,325,873 | 7/1994 | Hirschi et al. | 128/899 |
| 5,425,382 | 6/1995 | Golden et al. | 128/899 |
| 5,445,144 | 8/1995 | Wodicka et al. | 128/899 X |

[75] Inventors: **James L. Tiefenthal**, Dublin; **Donald J. Goldhardt**, Grove City, both of Ohio; **James D. Morrow**, Oak Park, Ill.

Primary Examiner—Stella Reid
Attorney, Agent, or Firm—Lonnie R. Drayer

[73] Assignee: **Abbott Laboratories**, Abbott Park, Ill.

[**] Term: **14 Years**

[57] **CLAIM**

The ornamental design for a tube placement verifier with battery charger, as shown and described.

[21] Appl. No.: **27,328**

DESCRIPTION

[22] Filed: **Aug. 18, 1994**

[52] U.S. Cl. **D24/186; D24/158**

[58] **Field of Search** D24/158, 186;
128/899, 653.1, 654, 656, 658, 903, 207.14;
607/116, 154

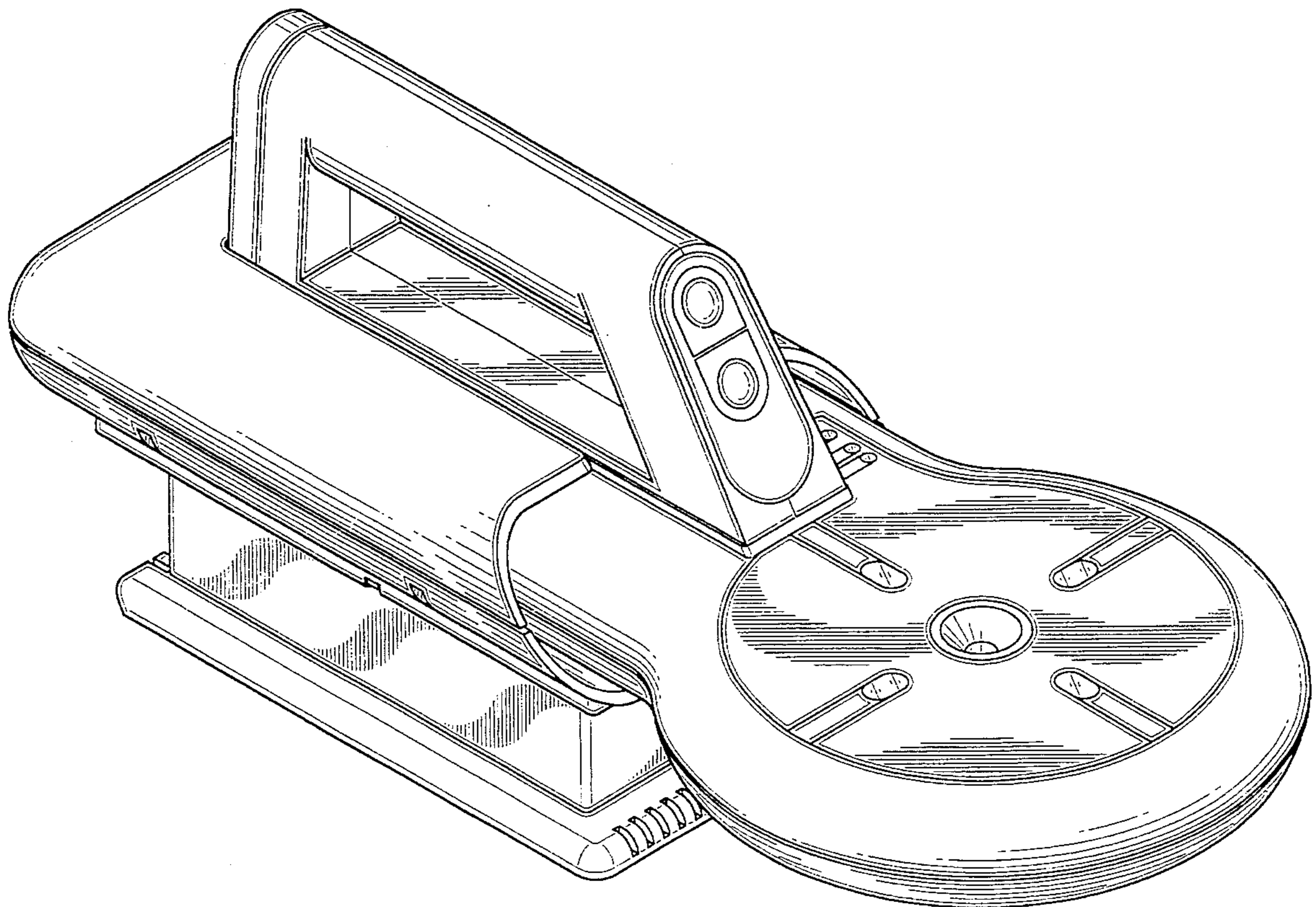
FIG. 1 is a perspective view of a tube placement verifier with battery charger showing our new design;
FIG. 2 is a top view thereof;
FIG. 3 is a first side elevation view thereof;
FIG. 4 is a second side elevation view thereof showing the side opposite that shown in FIG. 3;
FIG. 5 is a front elevation view thereof;
FIG. 6 is a rear elevation view thereof; and,
FIG. 7 is a bottom view thereof.

[56] **References Cited**

U.S. PATENT DOCUMENTS

| | | | |
|-----------|--------|----------------|---------|
| 5,005,592 | 4/1991 | Cartmell | 128/899 |
| 5,316,024 | 5/1994 | Hirschi et al. | 128/899 |

1 Claim, 6 Drawing Sheets



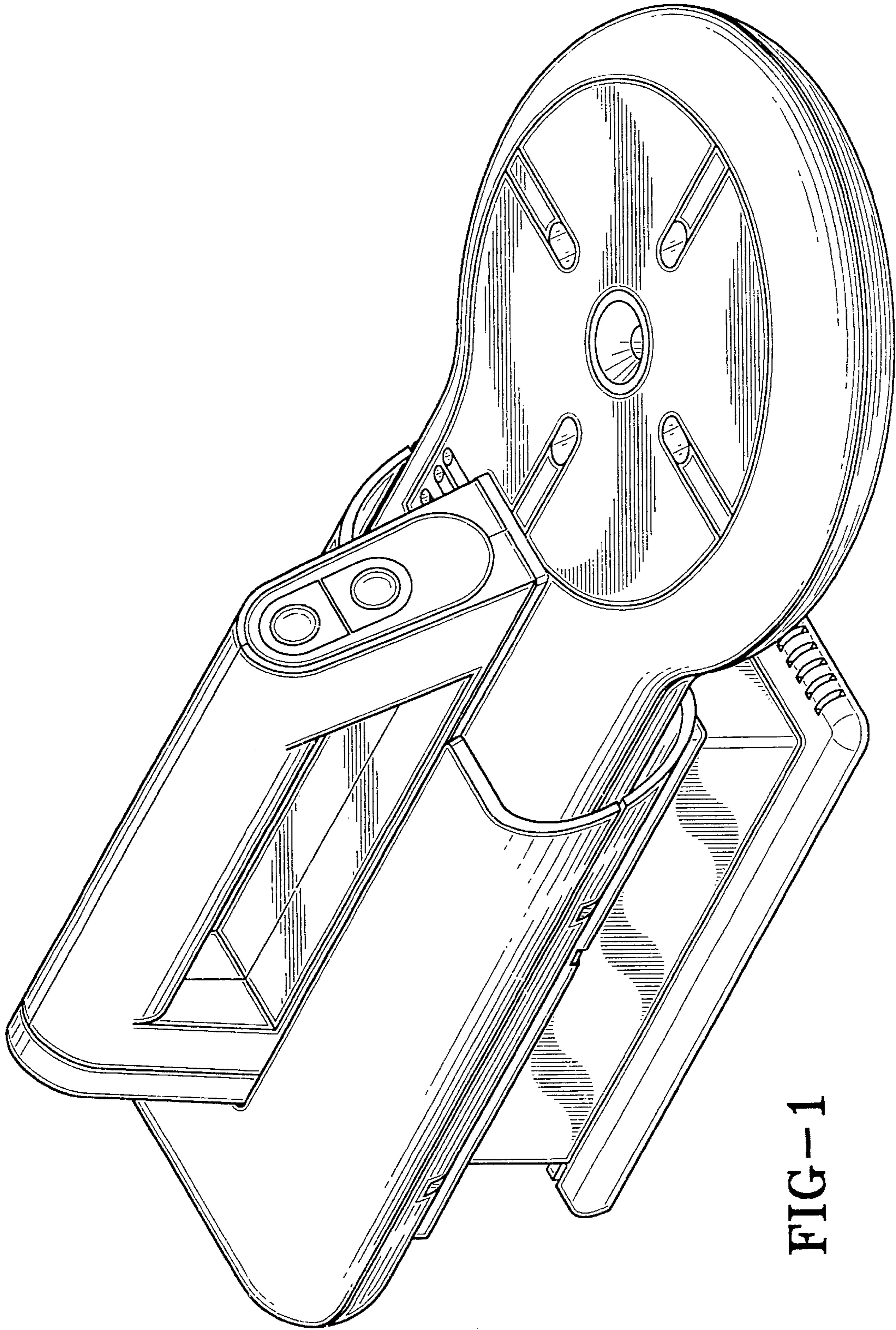


FIG-1

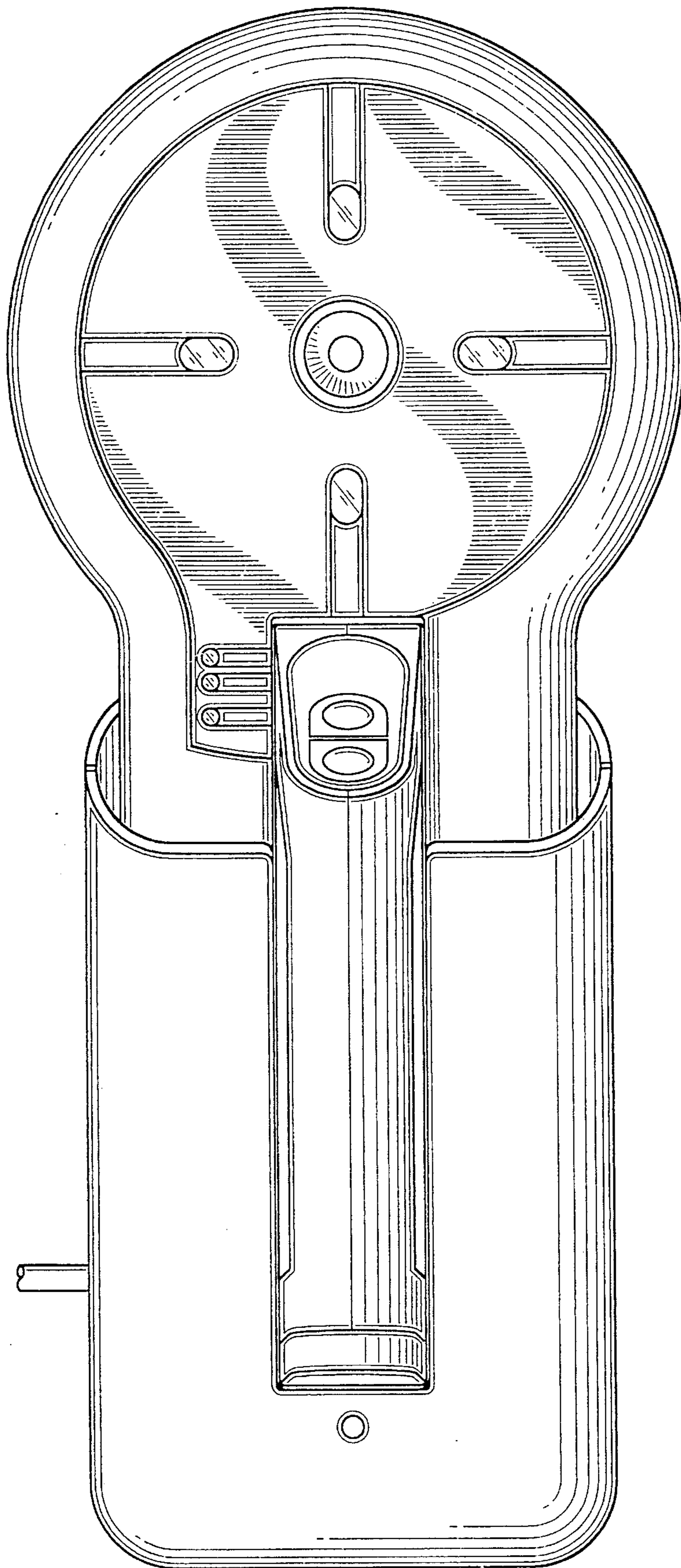


FIG-2

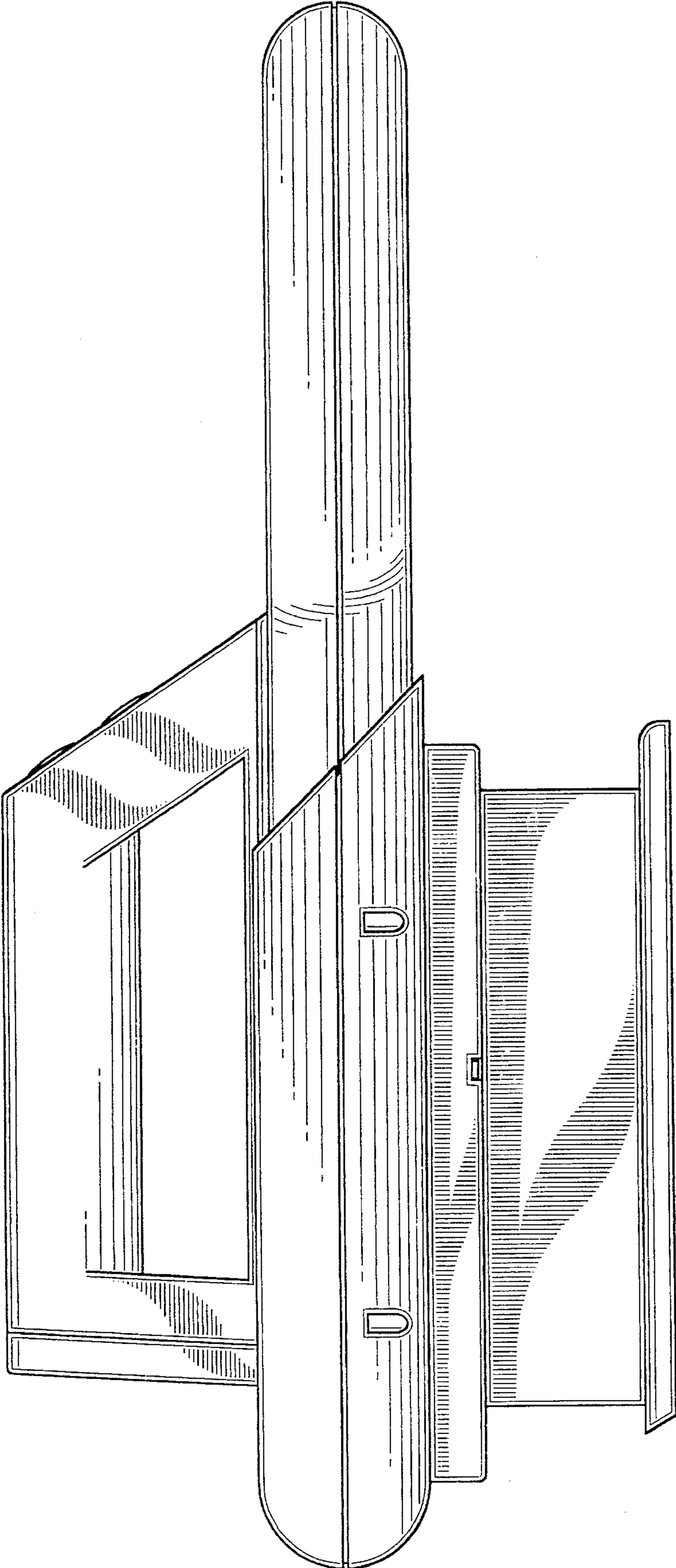


FIG-3

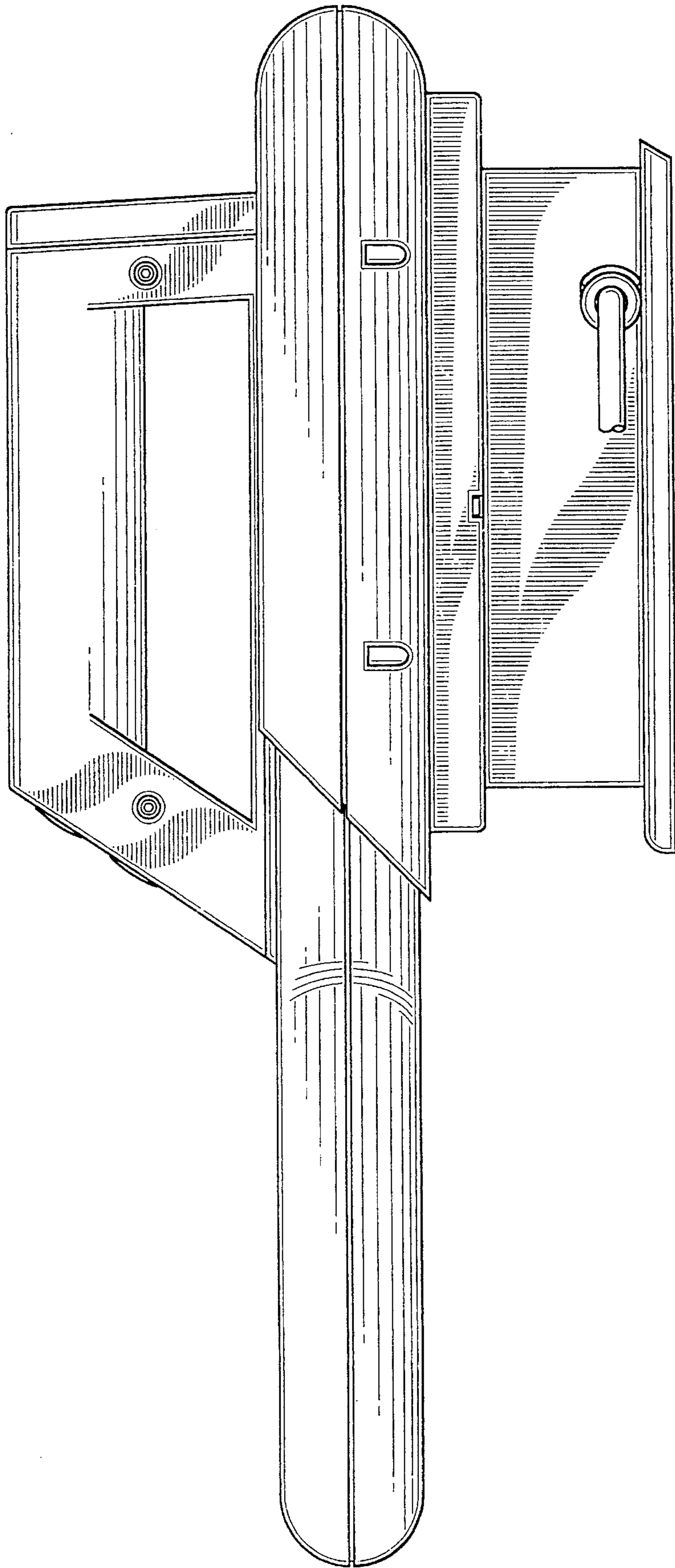


FIG-4

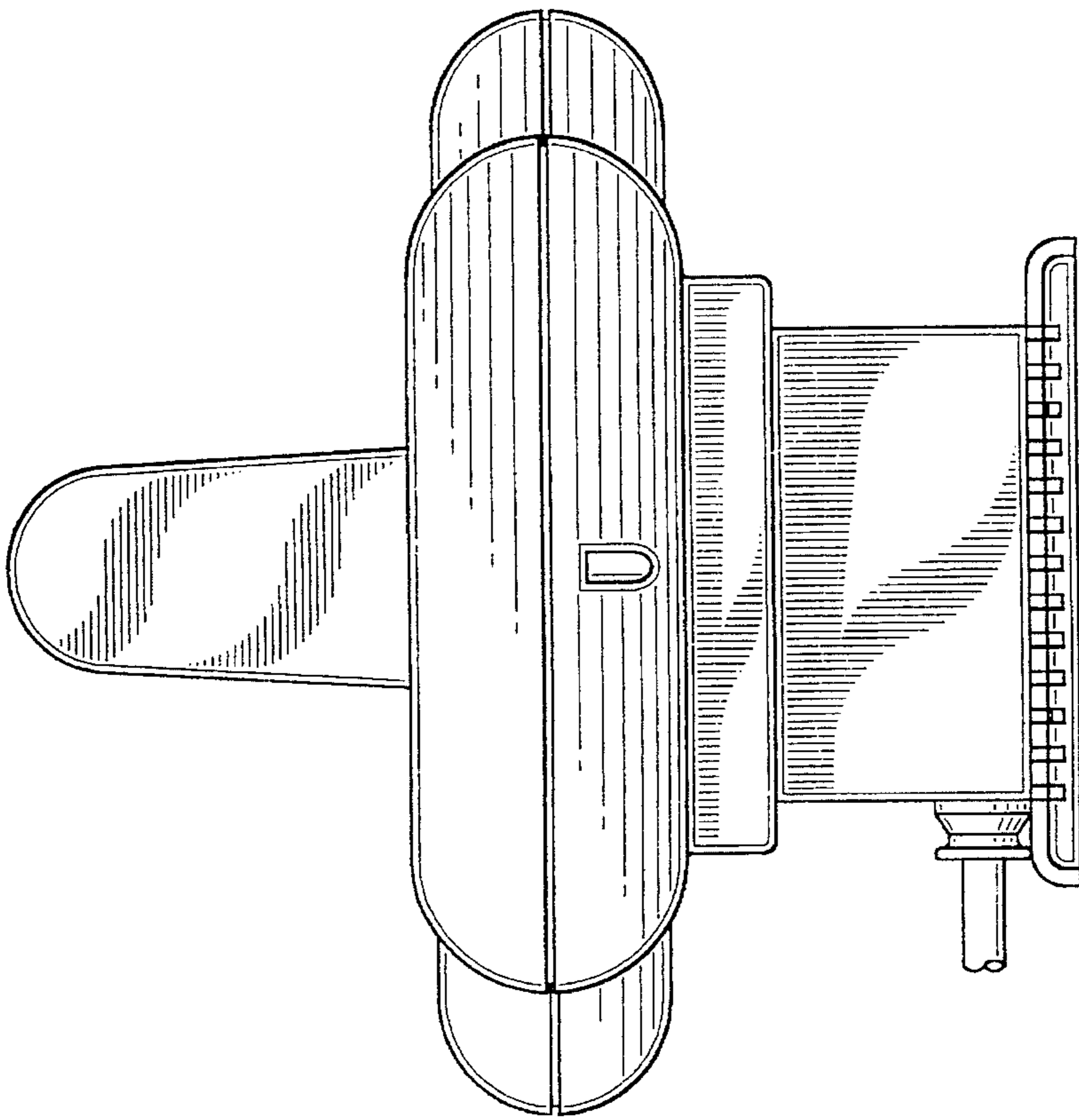


FIG-6

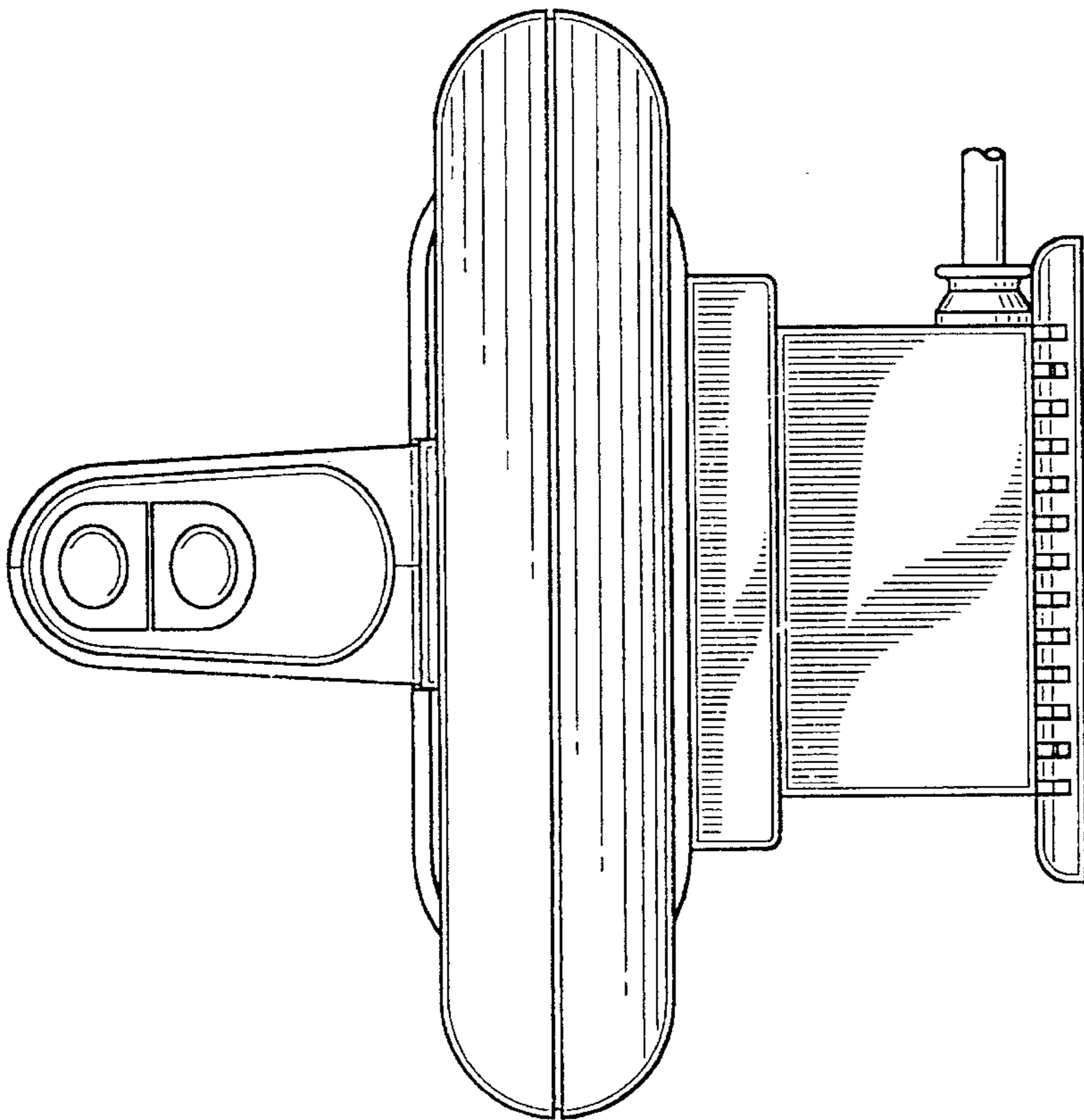


FIG-5

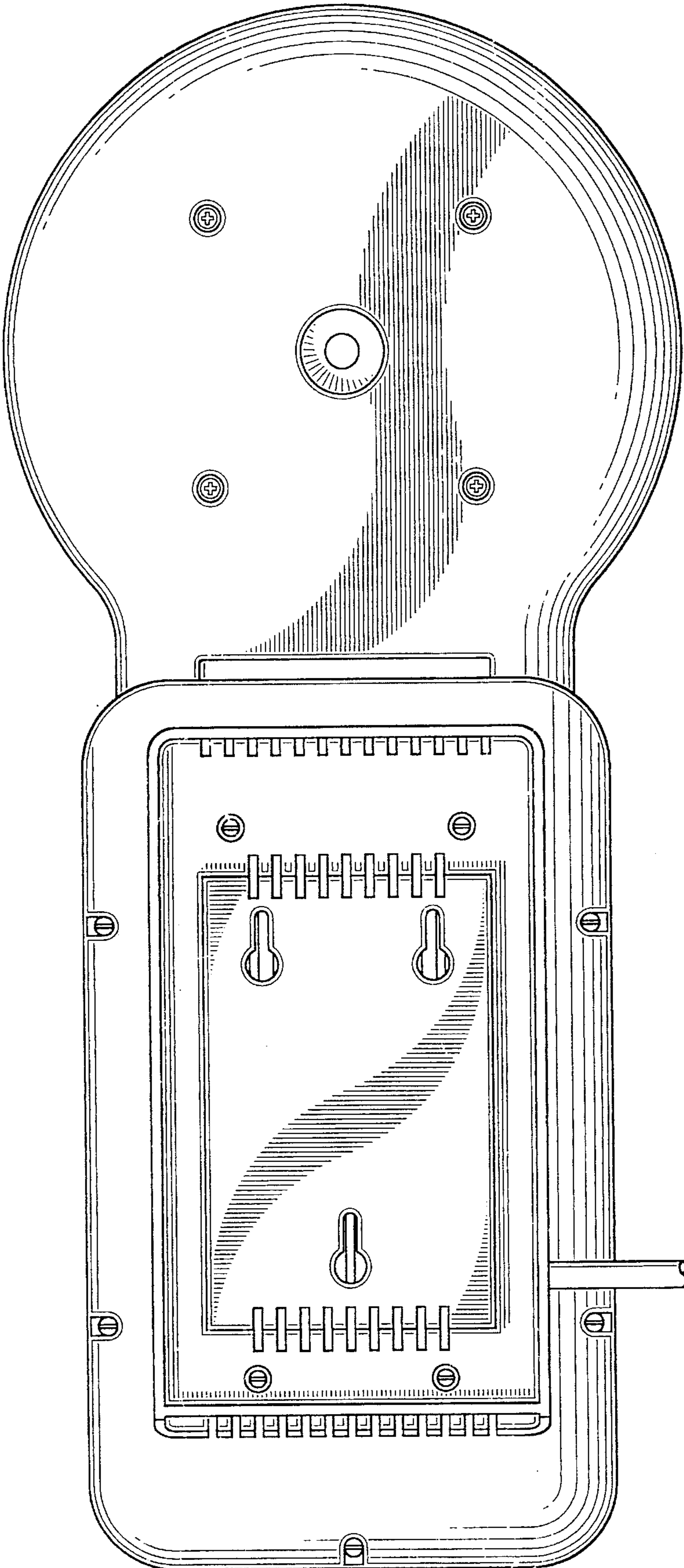


FIG-7