



US00D365876S

United States Patent [19]

[11] Patent Number: **Des. 365,876**

Chawla

[45] Date of Patent: ****Jan. 2, 1996**

[54] **MEDICAMENT INHALER**

[76] Inventor: **Brindra P. S. Chawla**, 45 Boundary Road, West Bridgford (Nottinghamshire) NG2 7BZ, England

[**] Term: **14 Years**

[21] Appl. No.: **16,154**

[22] Filed: **Dec. 9, 1993**

[30] **Foreign Application Priority Data**

Jun. 16, 1993 [GB] United Kingdom 2031774

[52] U.S. Cl. **D24/110**

[58] Field of Search D24/110, 110.5; 128/200.23, 200.24, 200.14, 200.16, 200.18, 203.18, 203.15, 203.12, 200.12

[56] **References Cited**

U.S. PATENT DOCUMENTS

D. 344,797	3/1994	Sochon et al.	D24/110
D. 348,928	7/1994	Ashley et al.	D24/110
D. 350,193	8/1994	Huck et al.	D24/110
3,807,400	4/1974	Cocozza	128/203.15
3,918,451	11/1975	Steil	128/203.15
5,331,953	7/1994	Andersson et al.	128/200.14

Primary Examiner—Lou Zarfaz
Assistant Examiner—I. Simmons
Attorney, Agent, or Firm—Marshall, O'Toole, Gerstein, Murray & Borun

[57] **CLAIM**

The ornamental design for a medicament inhaler, as shown and described.

DESCRIPTION

FIG. 1 is a perspective view of a medicament inhaler showing my new design;

FIG. 2 is a perspective view thereof, with the protective cap removed;

FIG. 3 is a right side elevational view thereof, the left side elevational view being a mirror image thereto;

FIG. 4 is a front elevational view thereof;

FIG. 5 is a rear elevational view thereof;

FIG. 6 is a top plan view of the inhaler, with the protective cap removed;

FIG. 7 is a bottom plan view of the inhaler, with the protective cap removed and the base shown in open position;

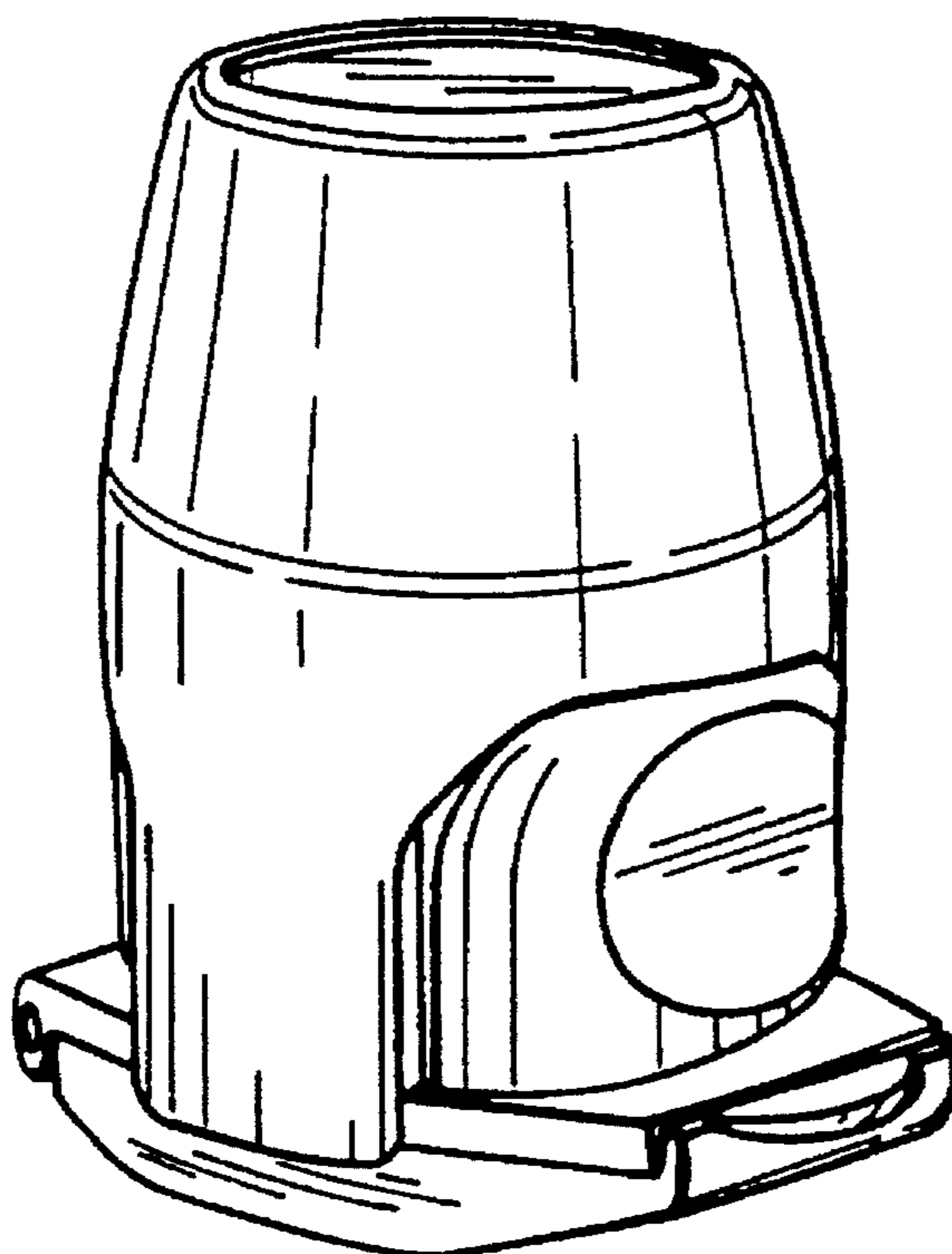
FIG. 8 is a right side elevational view thereof, with the protective cap in place, the left side elevational view being a mirror image thereof;

FIG. 9 is a cross sectional view thereof with the protective cap removed taken along the line 9—9 of FIG. 7;

FIG. 10 is a top plan view of the inhaler, with the protective cap in place; and,

FIG. 11 is a bottom plan view of the inhaler, with the protective cap in place.

1 Claim, 4 Drawing Sheets



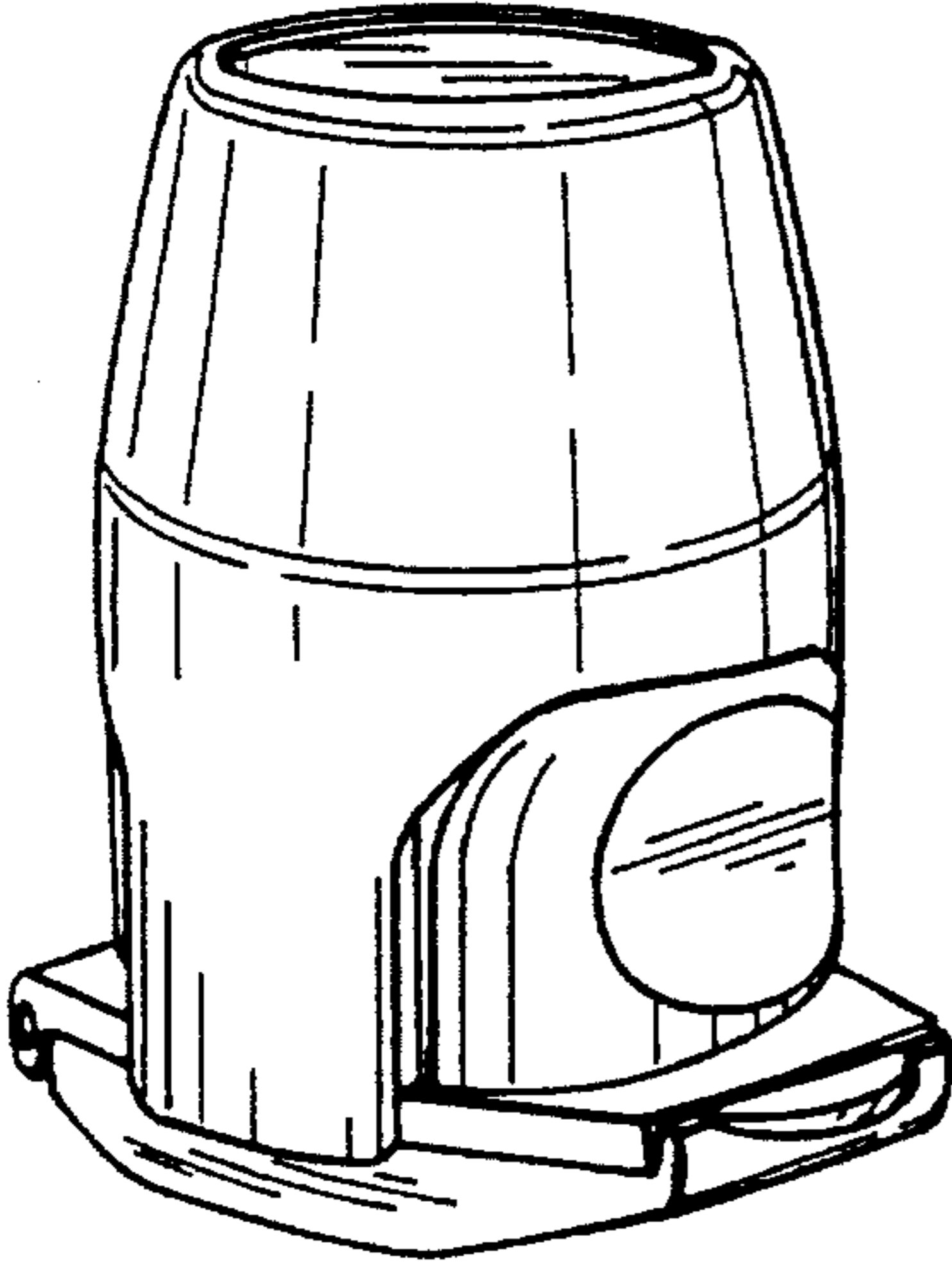


Fig. 1

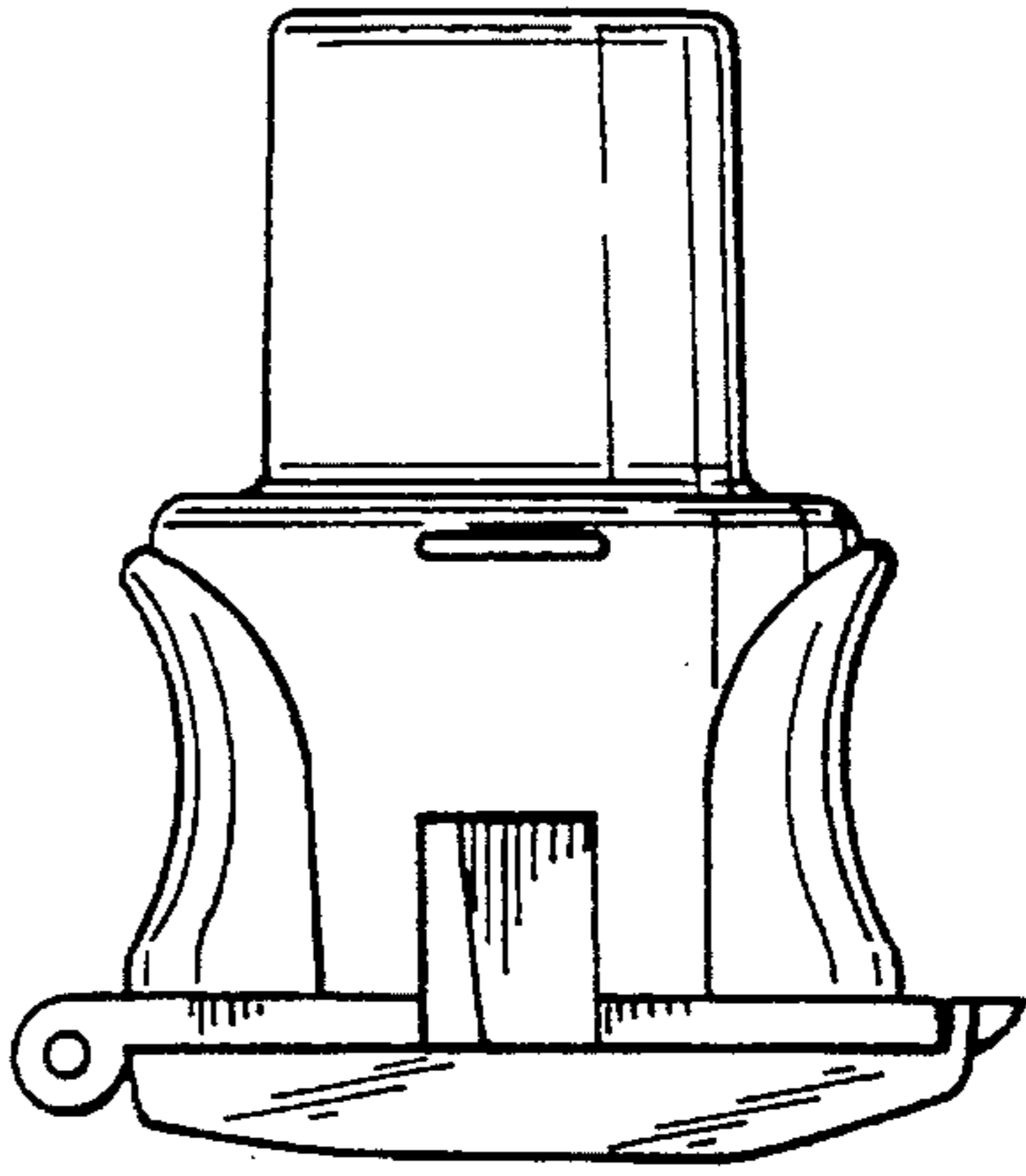
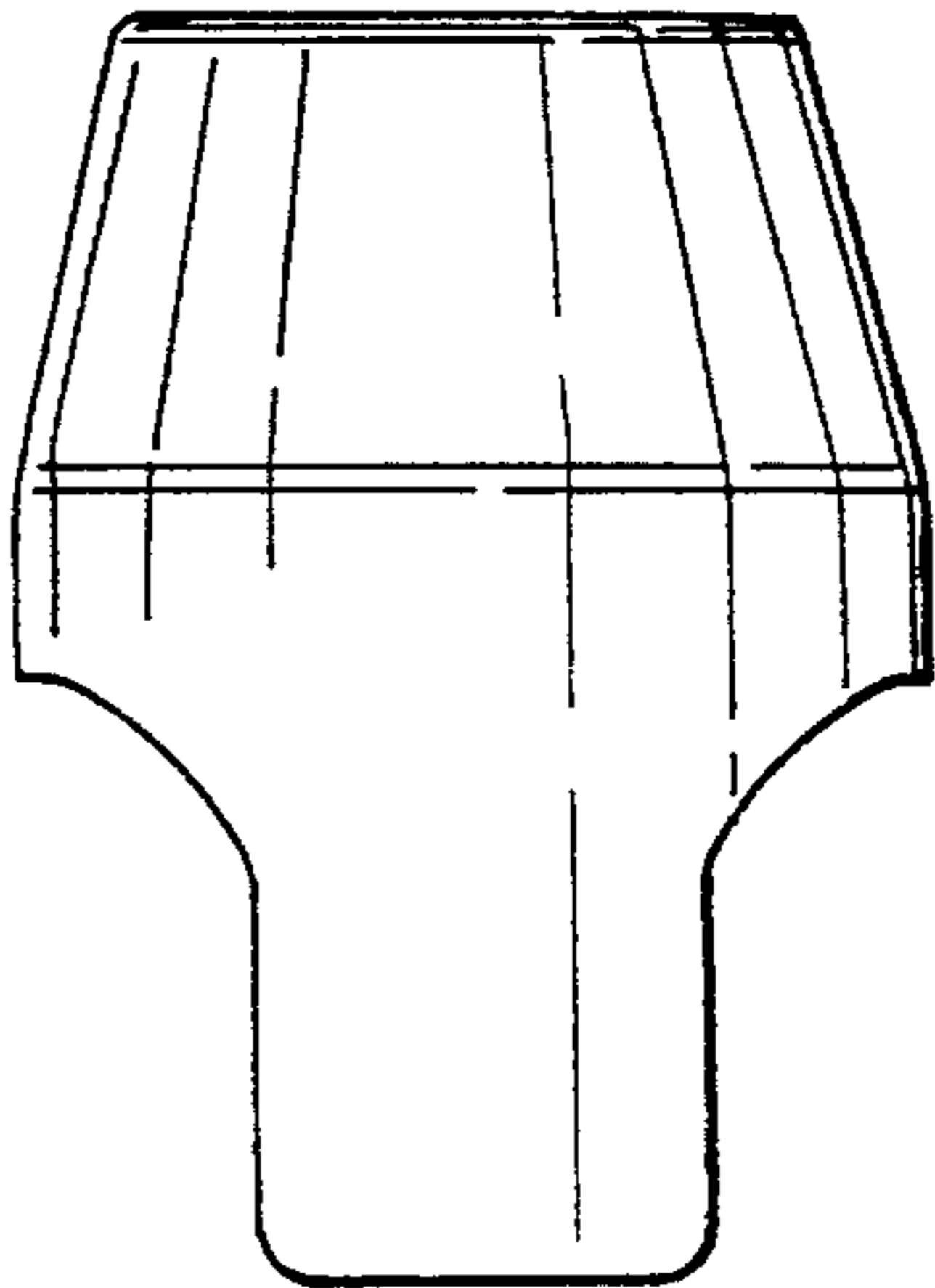


Fig. 3

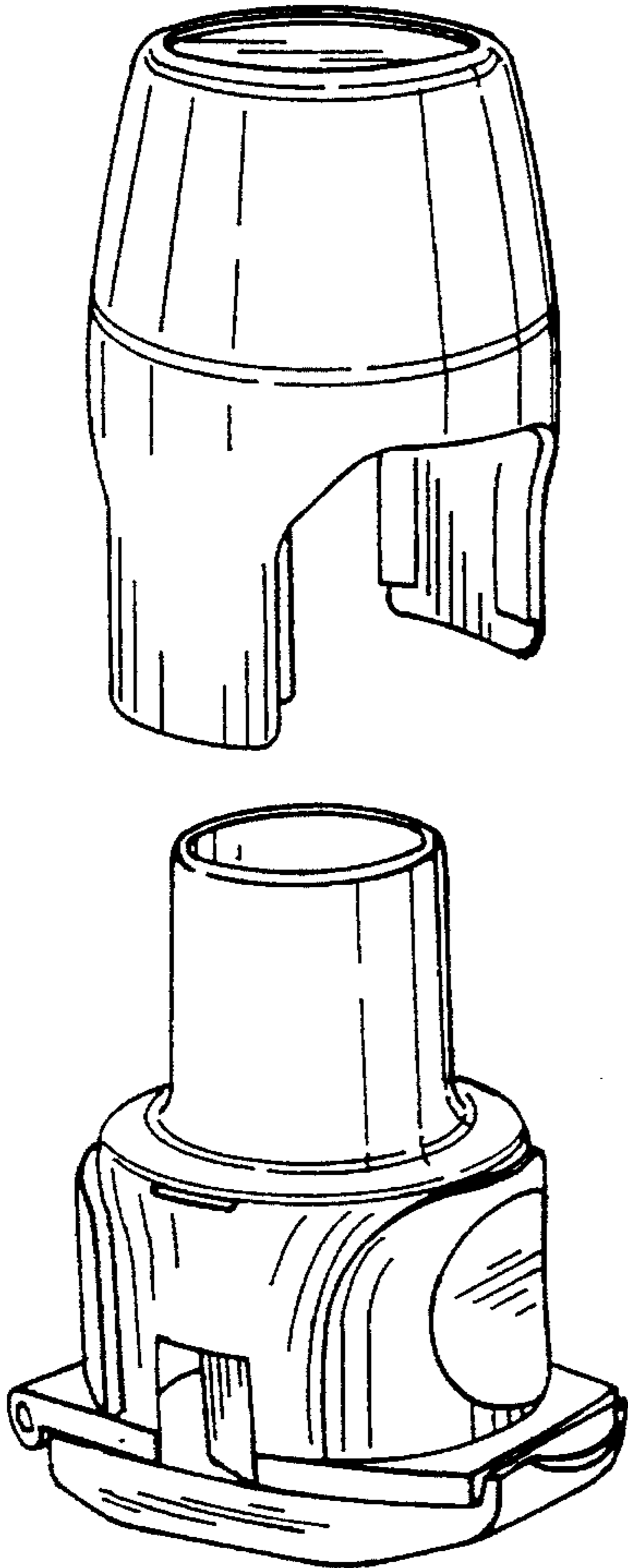


Fig. 2

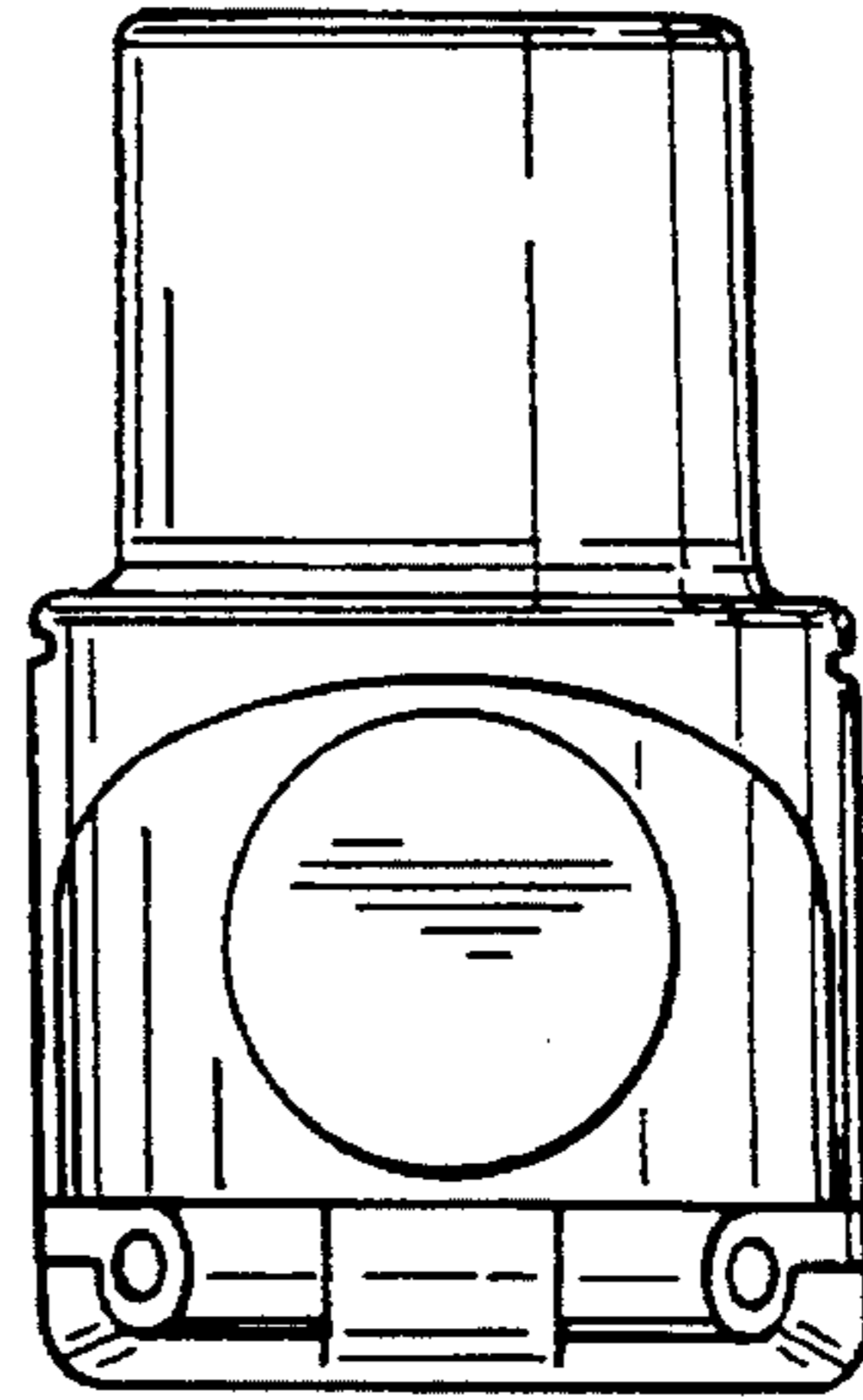
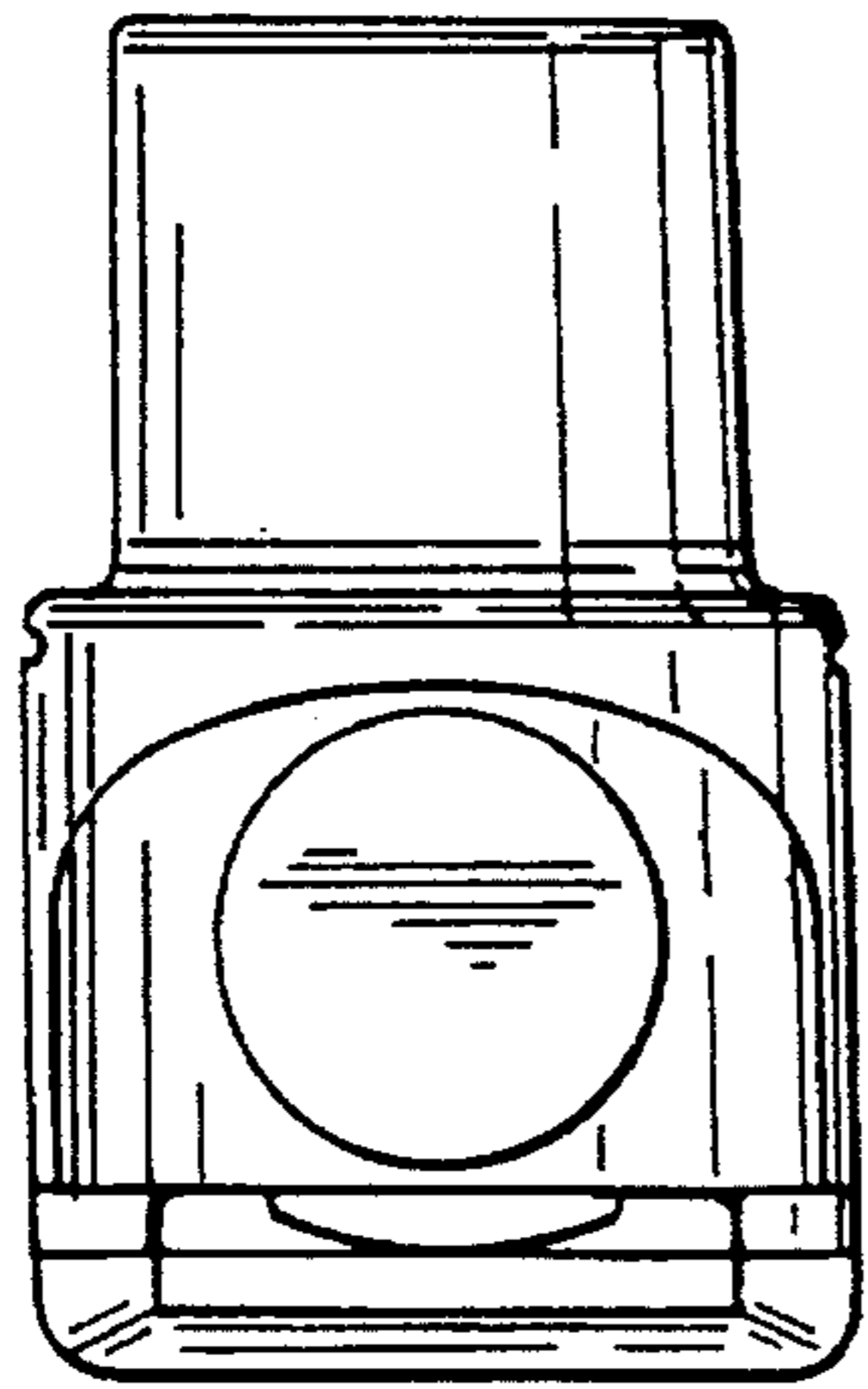
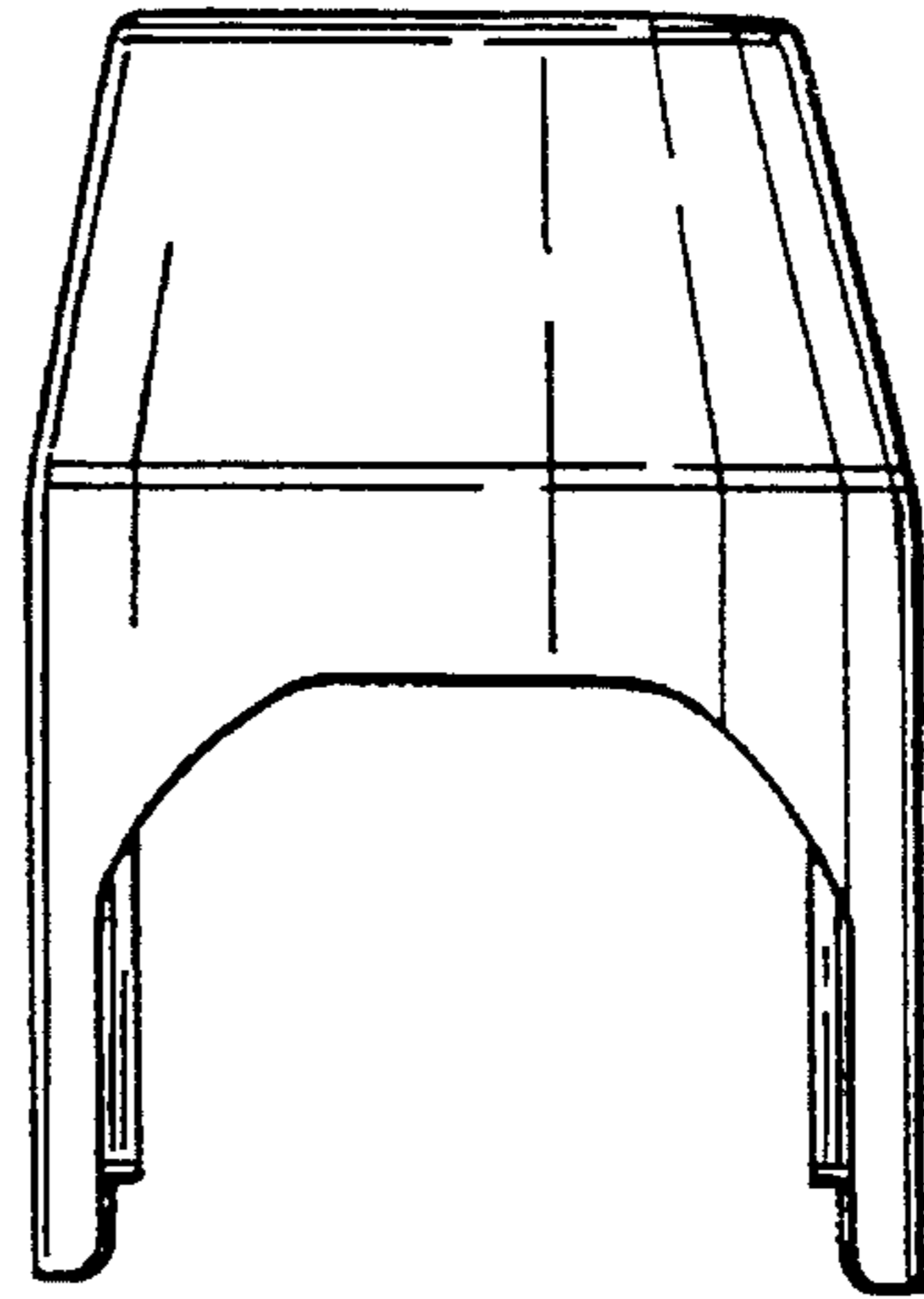
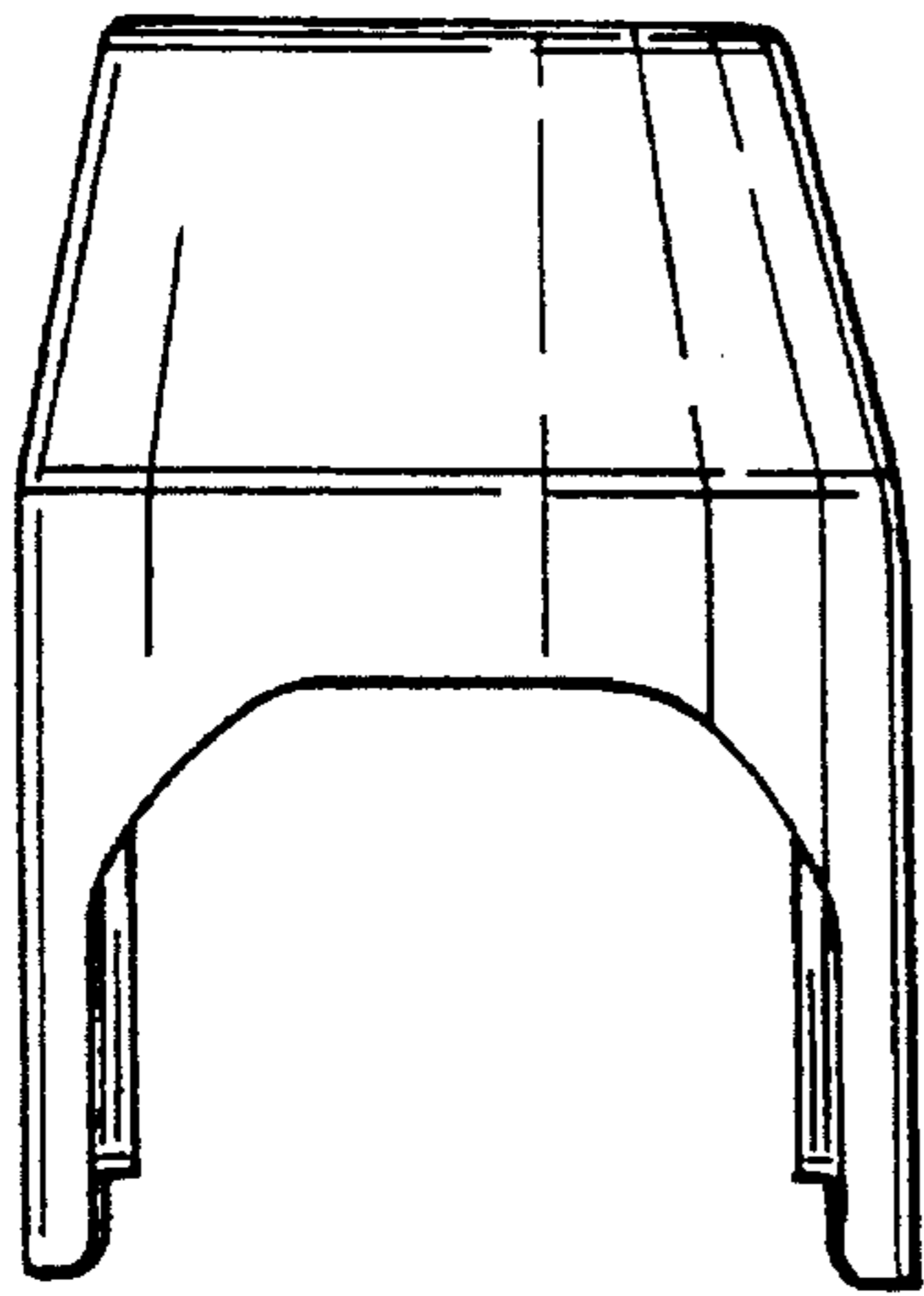


Fig. 4

Fig. 5

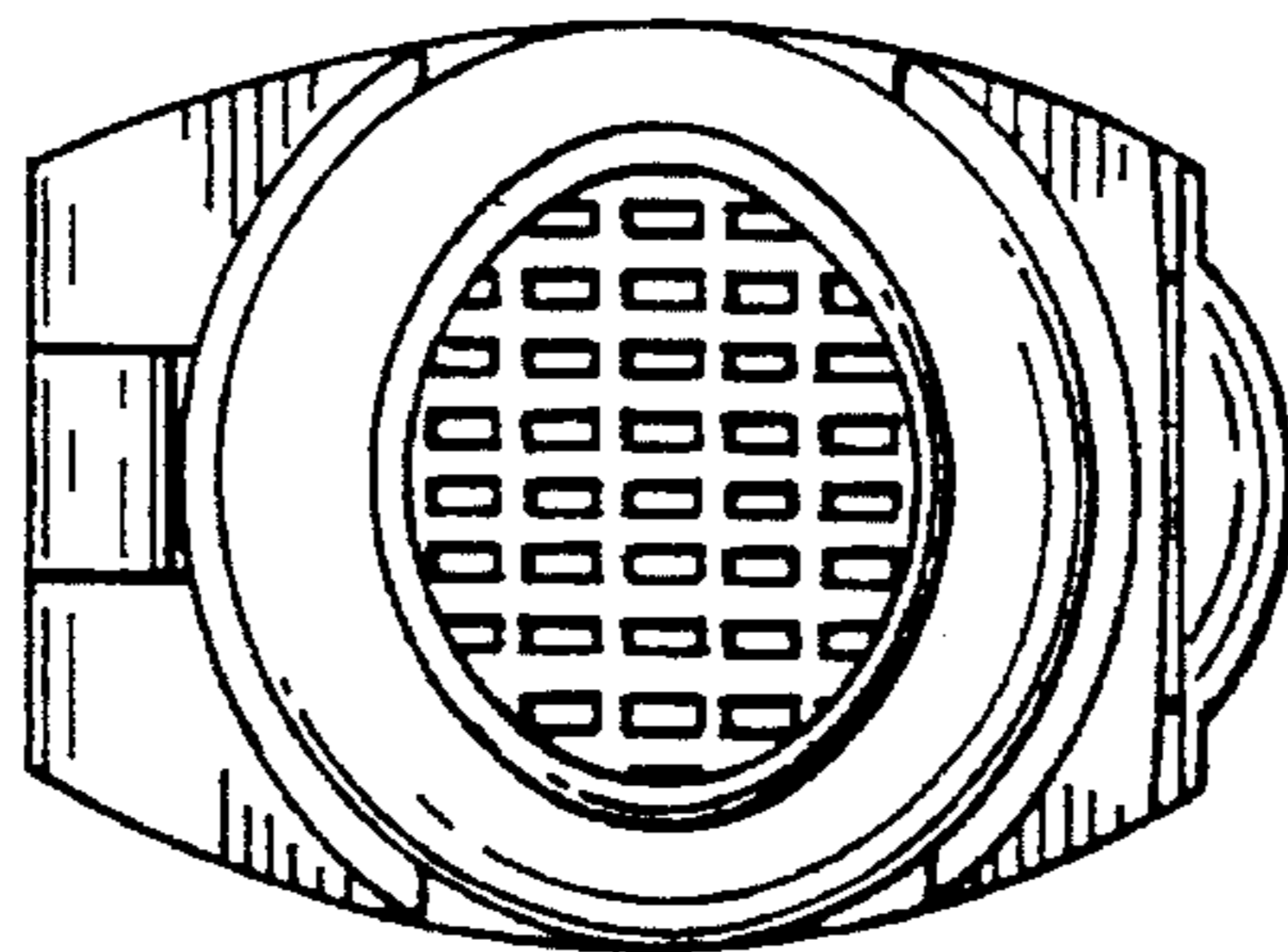


Fig. 6

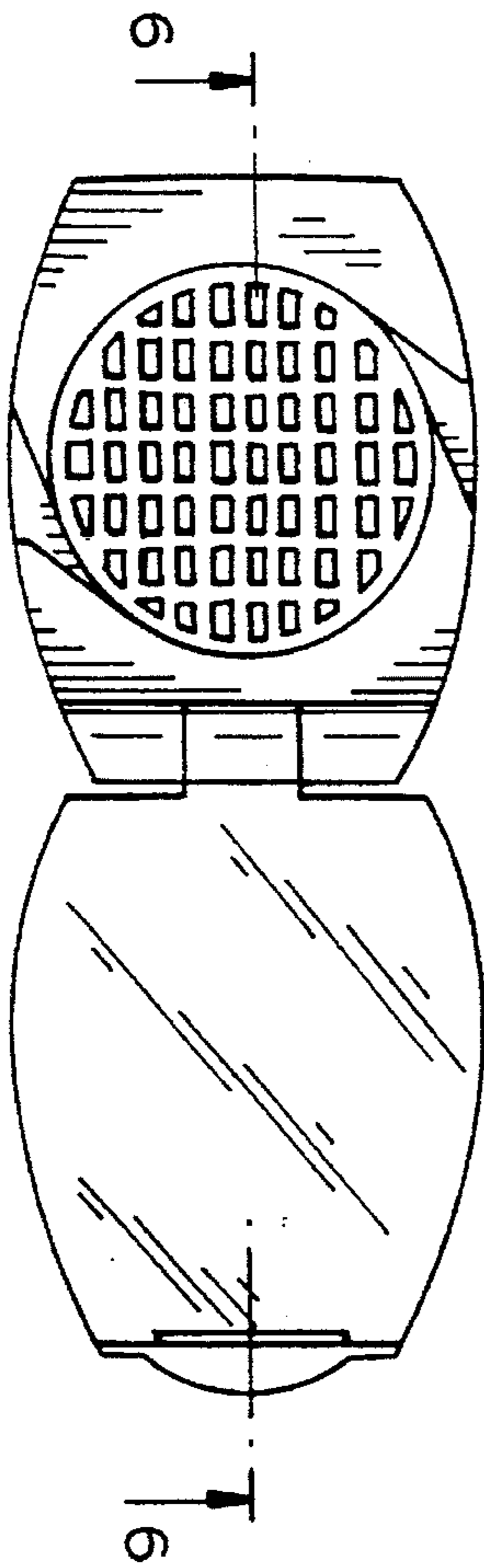
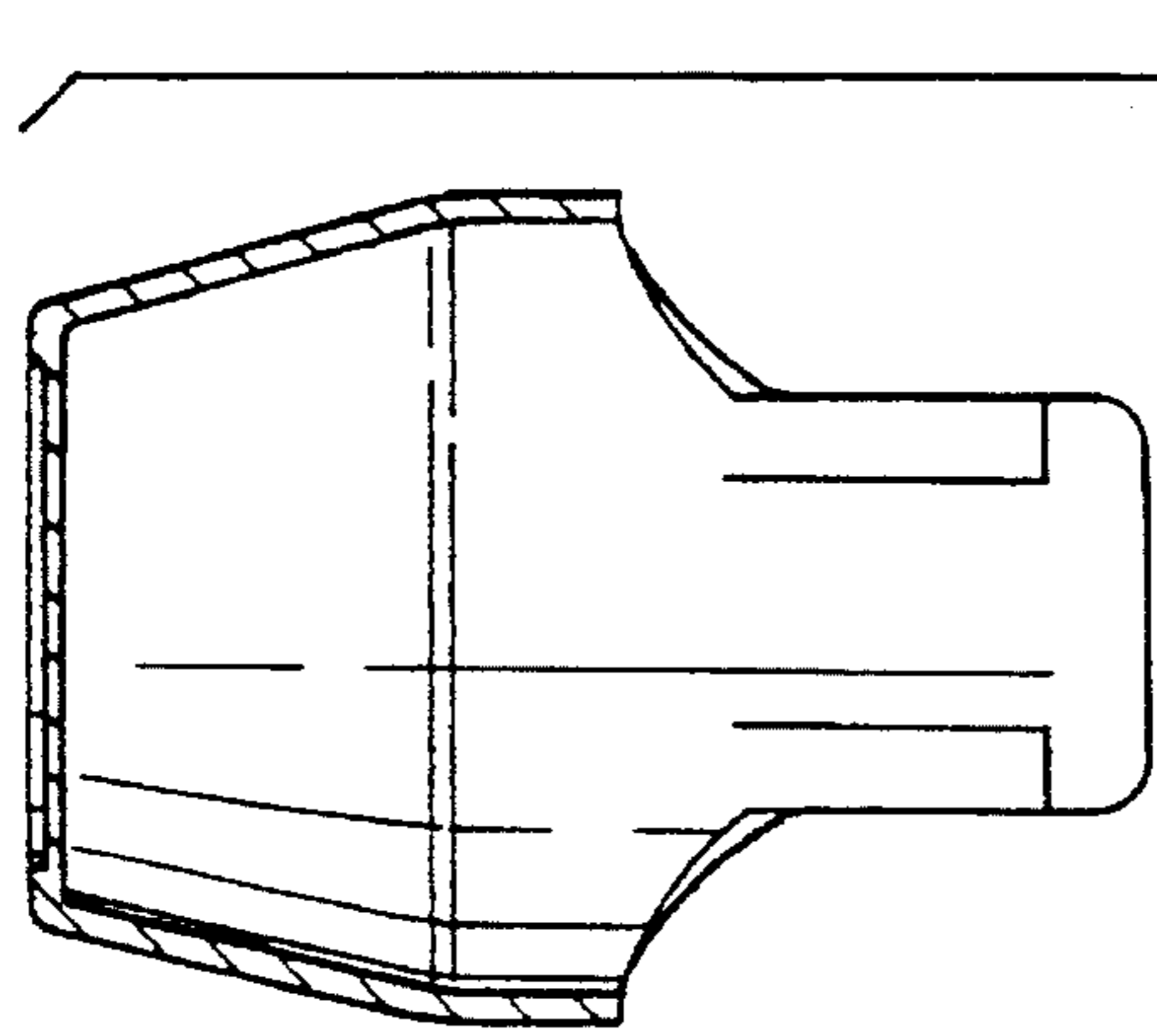


Fig. 7

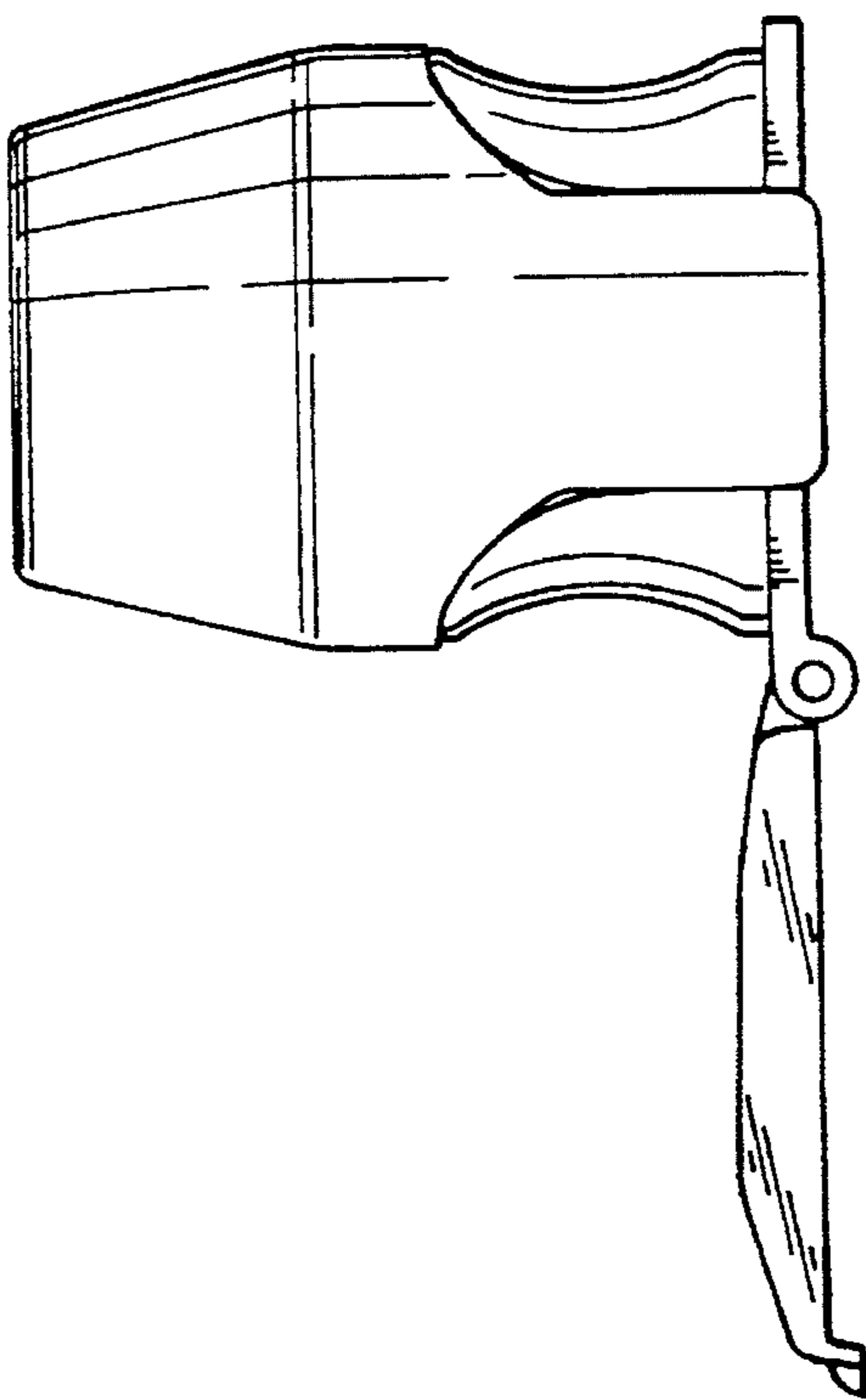


Fig. 8

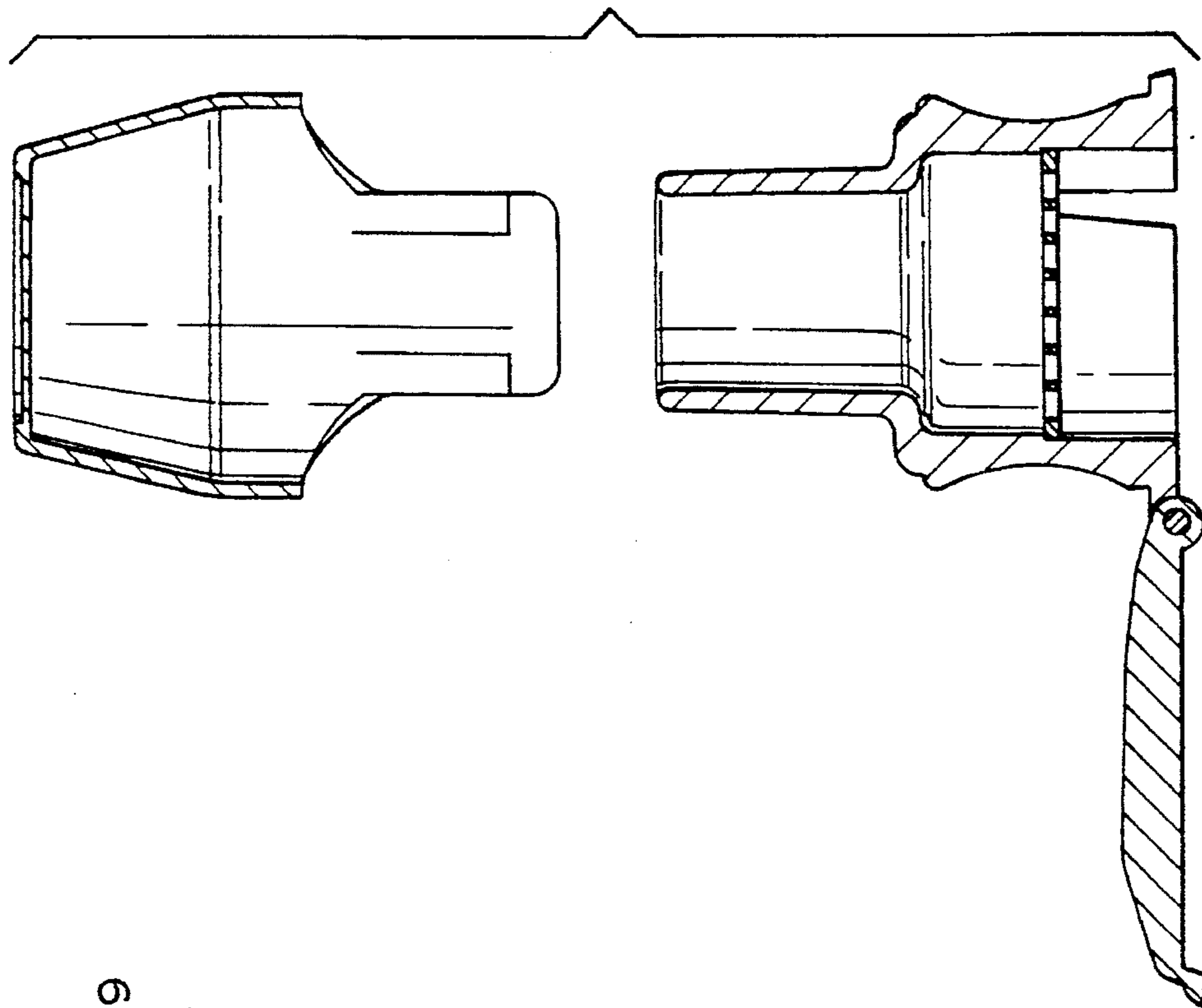


Fig. 9

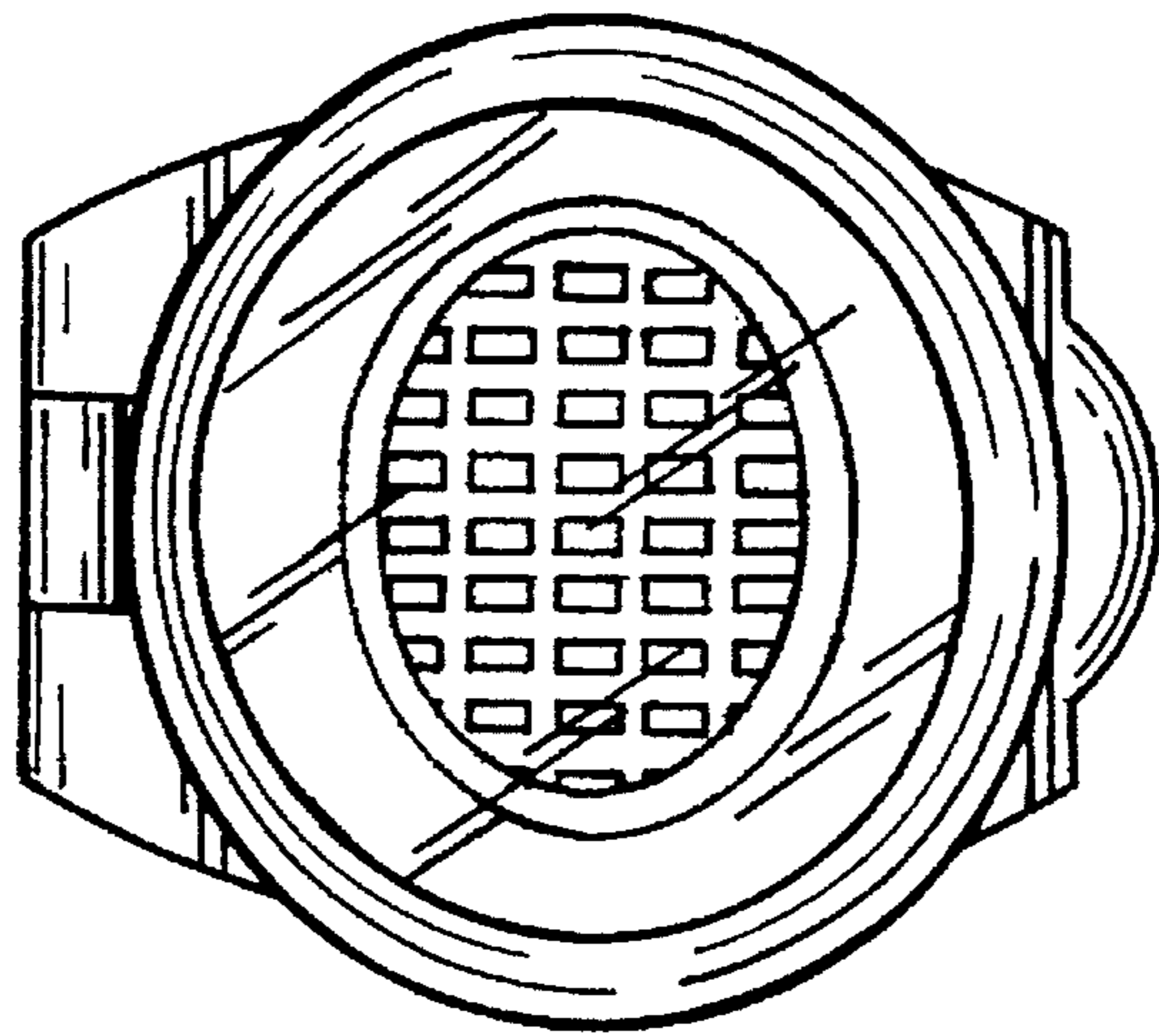


Fig. 10

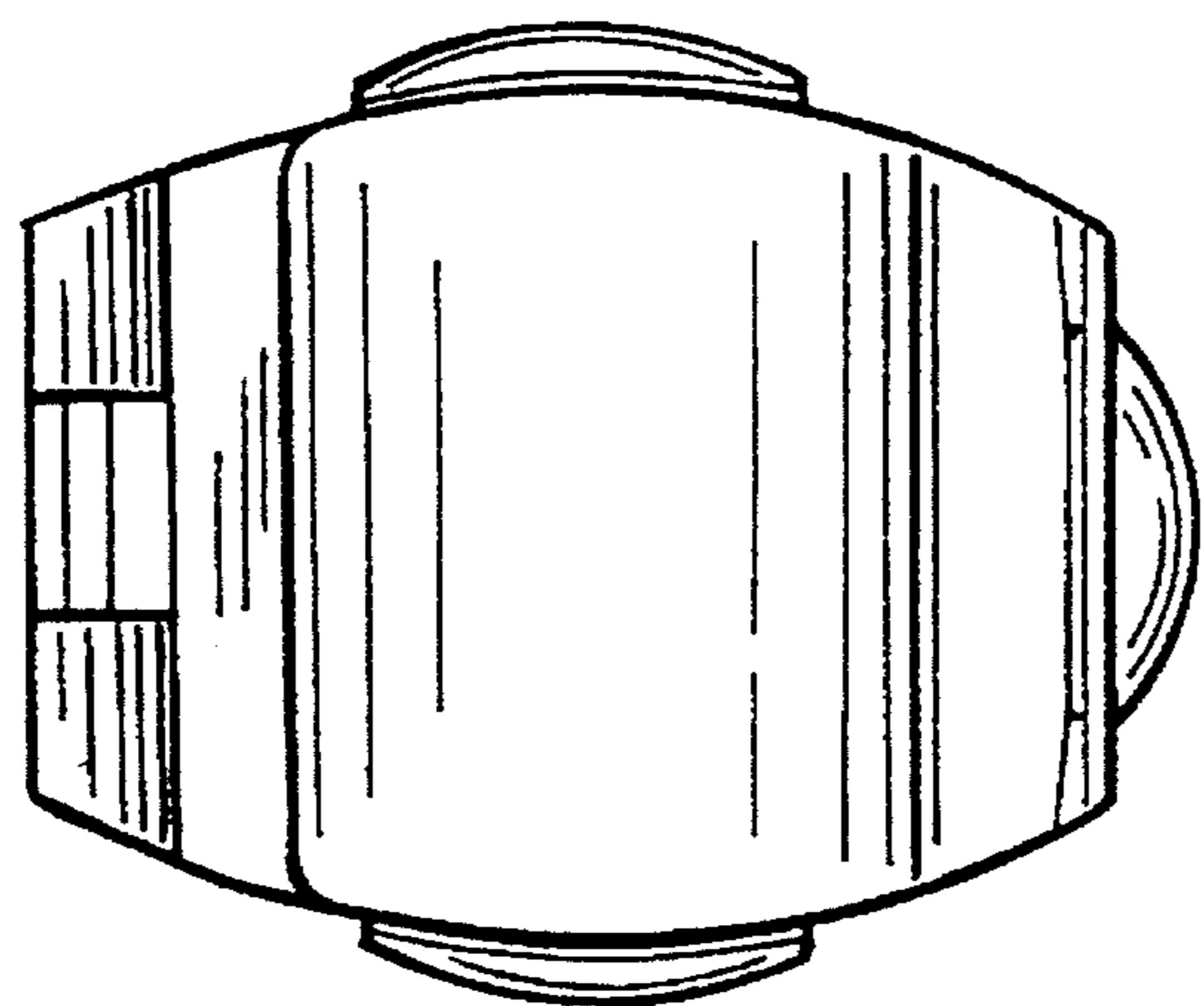


Fig. 11