



US00D365873S

United States Patent [19]

[11] Patent Number: **Des. 365,873**

Van Belle

[45] Date of Patent: ****Jan. 2, 1996**

[54] **COMBINED FAN HOUSING AND HATCH COVER**

Primary Examiner—Lisa P. Lichtenstein
Attorney, Agent, or Firm—Baker & Daniels

[75] Inventor: **Paul D. Van Belle**, Niles, Mich.

[57] **CLAIM**

[73] Assignee: **Kool-O-Matic Corporation**, Niles, Mich.

The ornamental design for a combined fan housing and hatch cover, as shown and described.

[**] Term: **14 Years**

DESCRIPTION

[21] Appl. No.: **29,927**

[22] Filed: **Oct. 19, 1994**

[52] U.S. Cl. **D23/328**; D12/317; D23/370

[58] Field of Search D23/370, 328;
D12/317; 454/78, 82

FIG. 1 is a perspective view of a combined fan housing and hatch cover showing my new design attached to the deck of a boat with the hatch cover open, the boat and hatch cover being shown in broken-lines for illustrative purposes only and are not a part of the claimed design;

FIG. 2 is a top plan view thereof;

FIG. 3 is a bottom plan view thereof;

FIG. 4 is a right side view thereof;

FIG. 5 is a left side view thereof;

FIG. 6 is a front elevational view thereof; and,

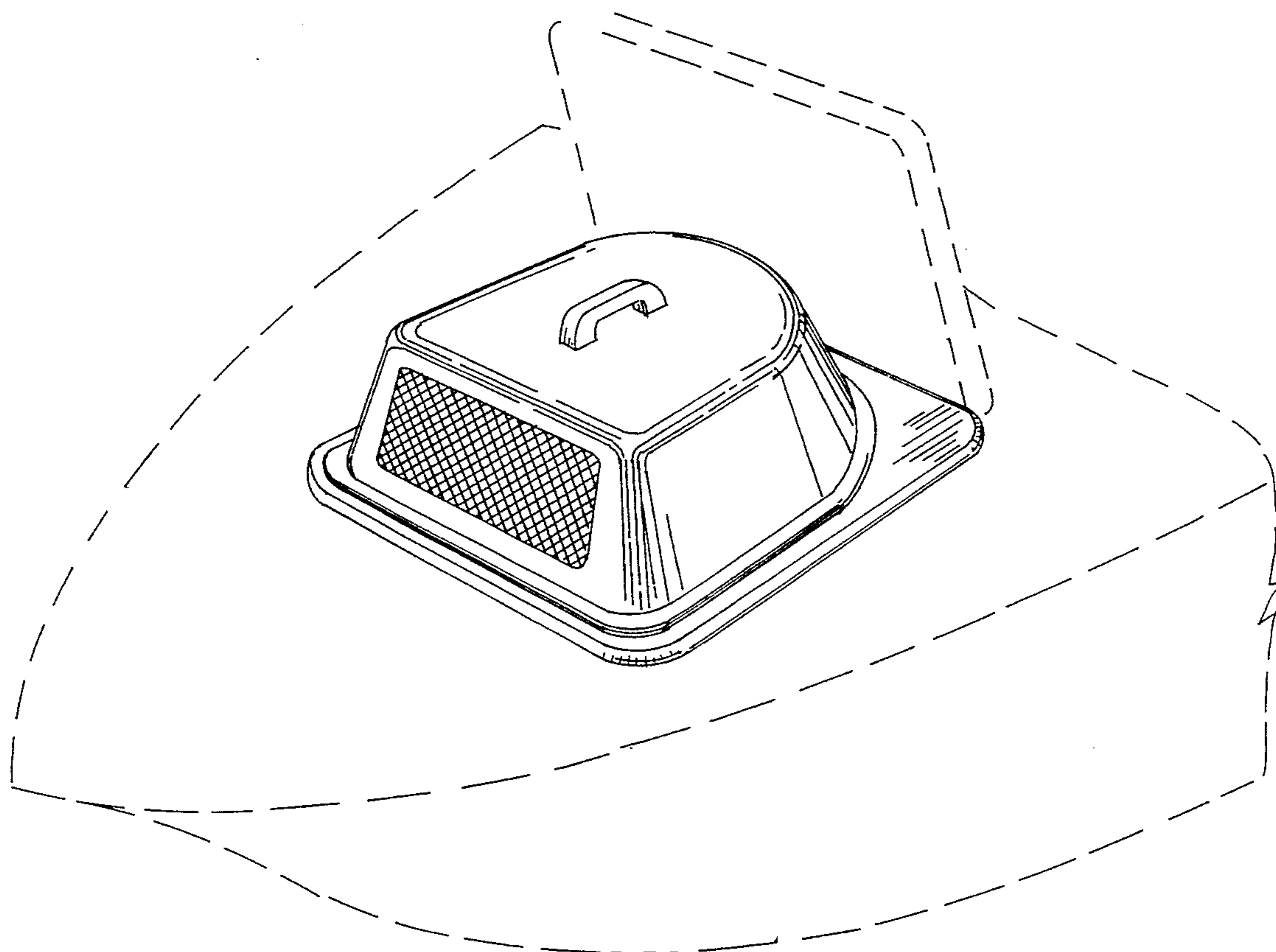
FIG. 7 is a rear elevational view thereof.

[56] References Cited

U.S. PATENT DOCUMENTS

3,440,945	4/1969	De Mura	454/82
3,779,149	12/1973	Bernard, Jr.	454/78
4,307,655	12/1981	Parks et al.	454/82
5,339,759	8/1994	Peabody	454/78

1 Claim, 3 Drawing Sheets



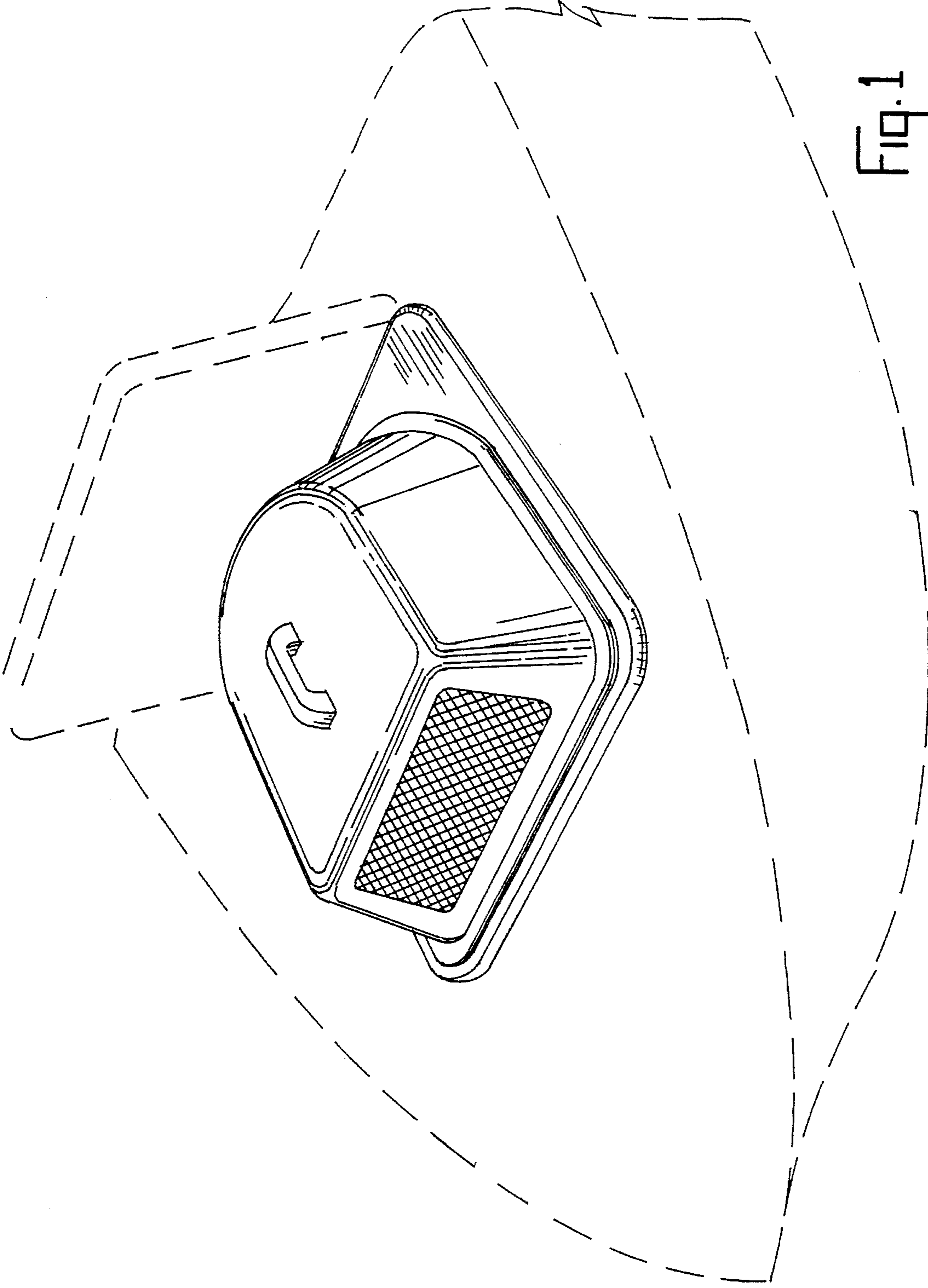


FIG. 1

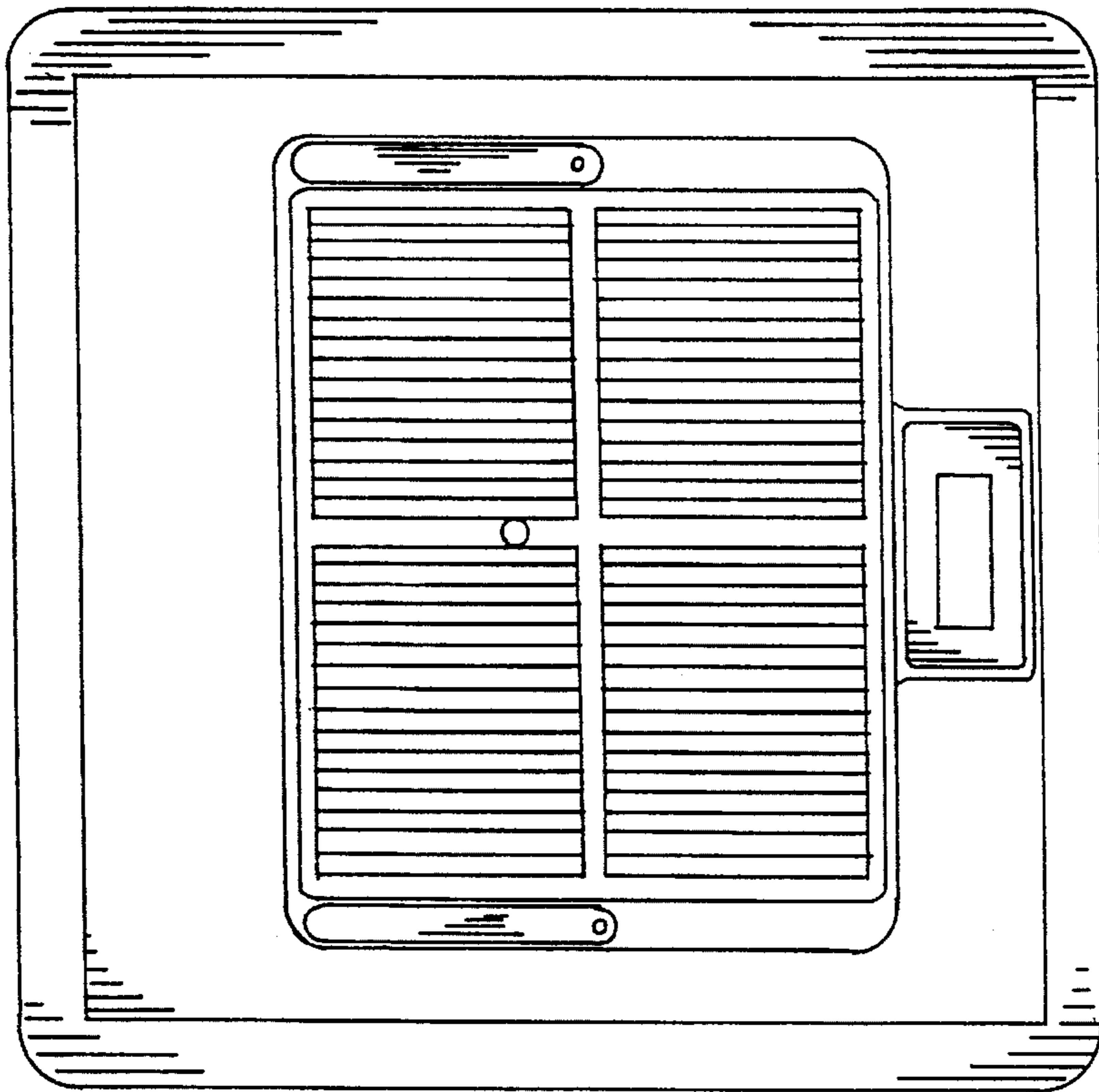


FIG. 3

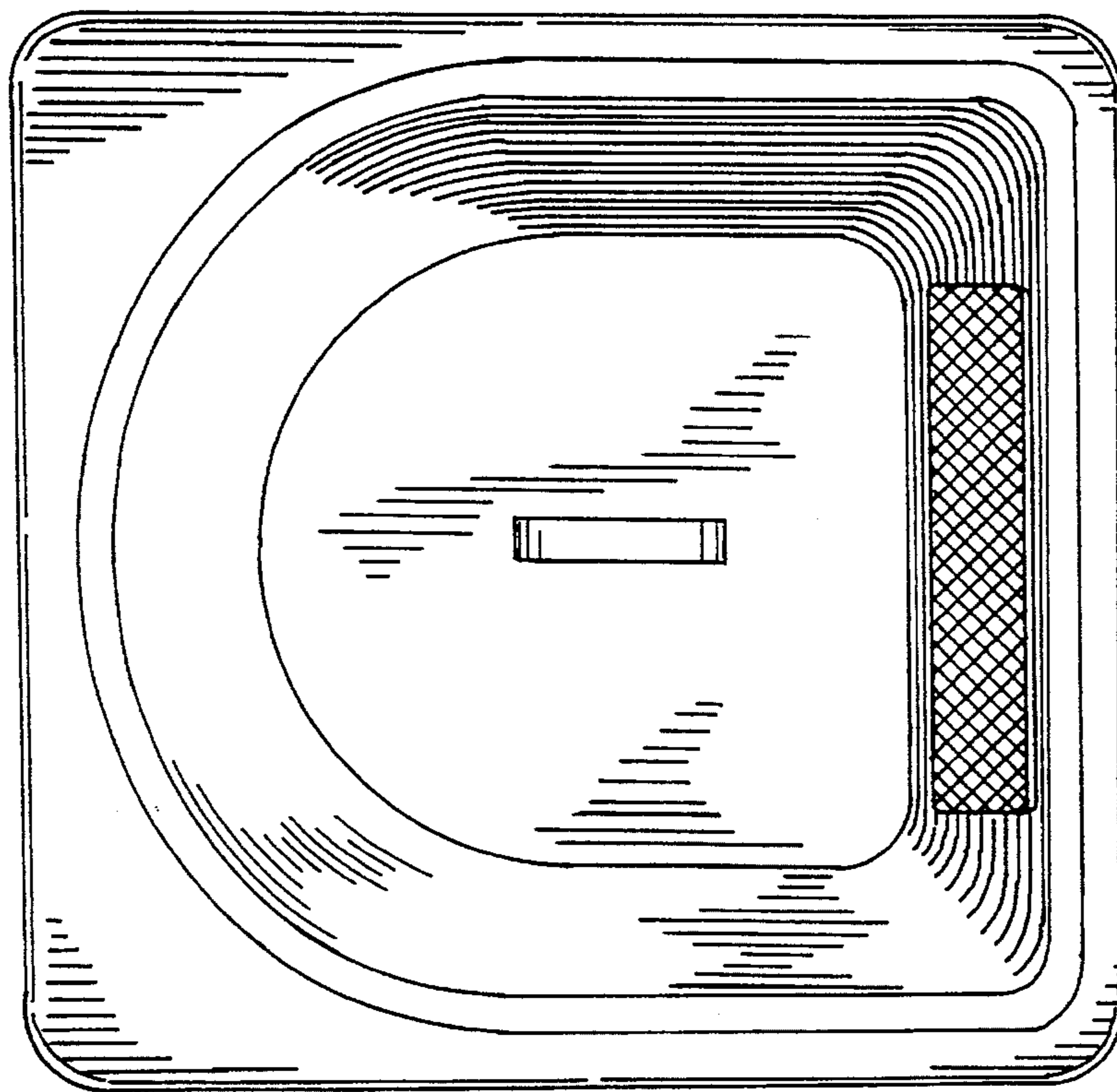


FIG. 2

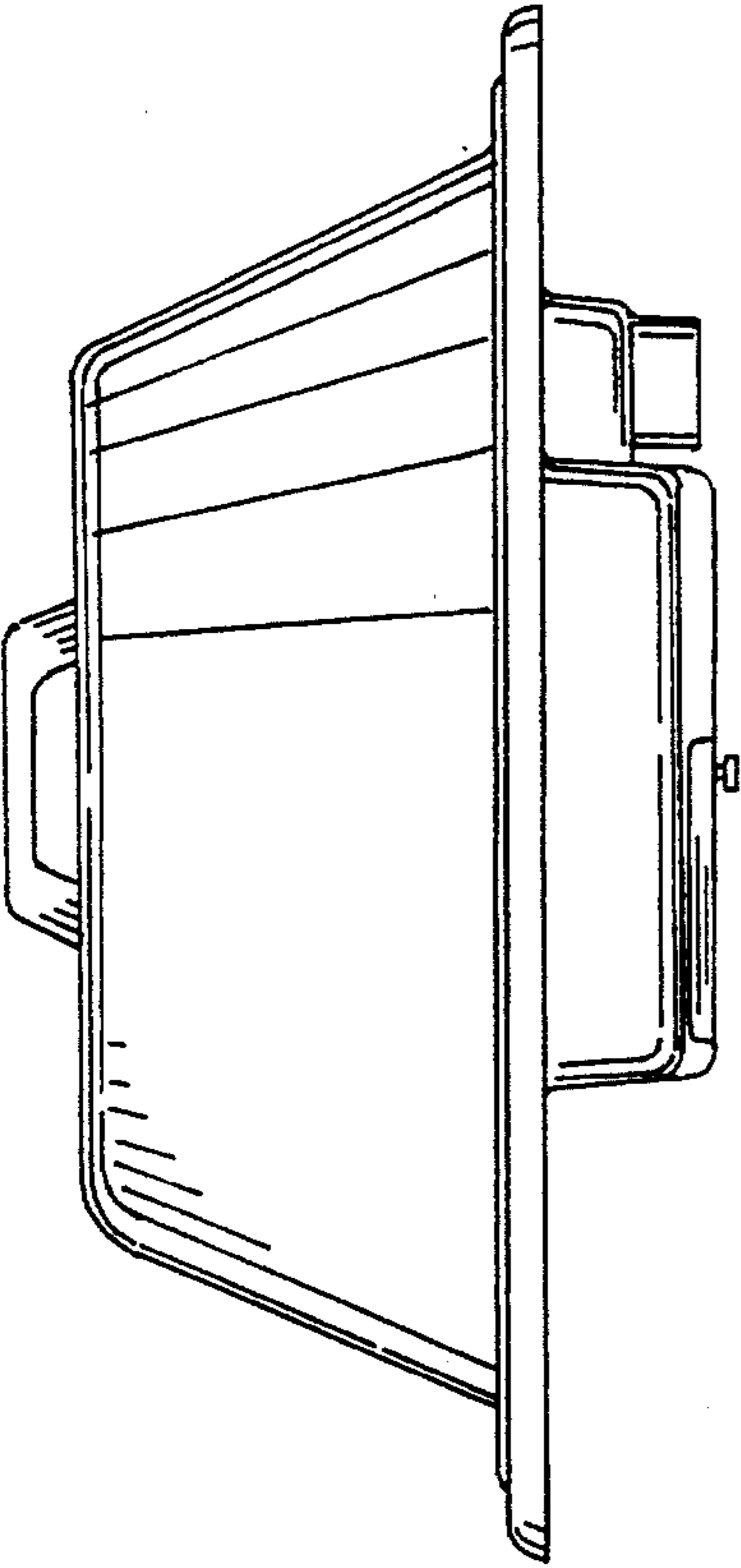


FIG. 4

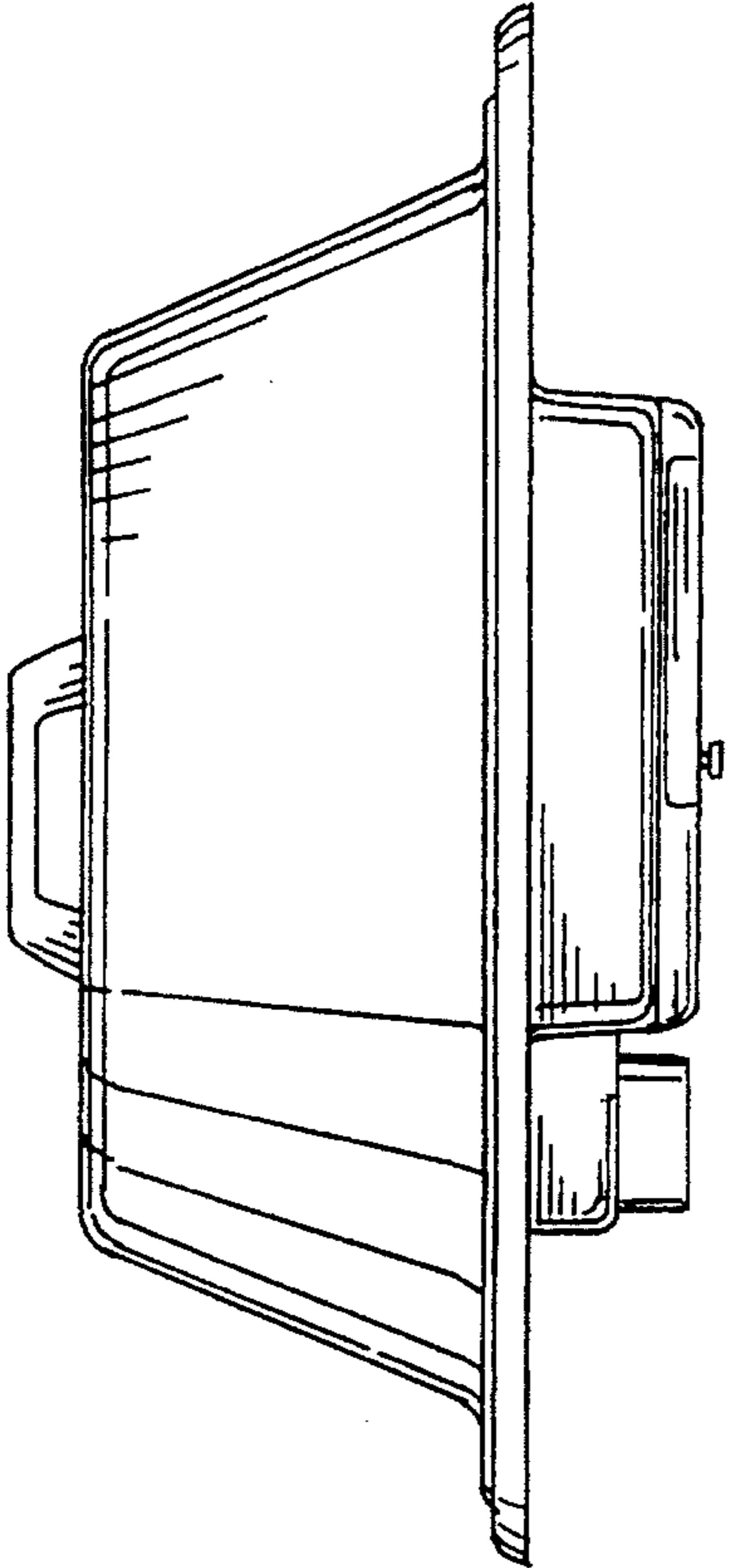


FIG. 5

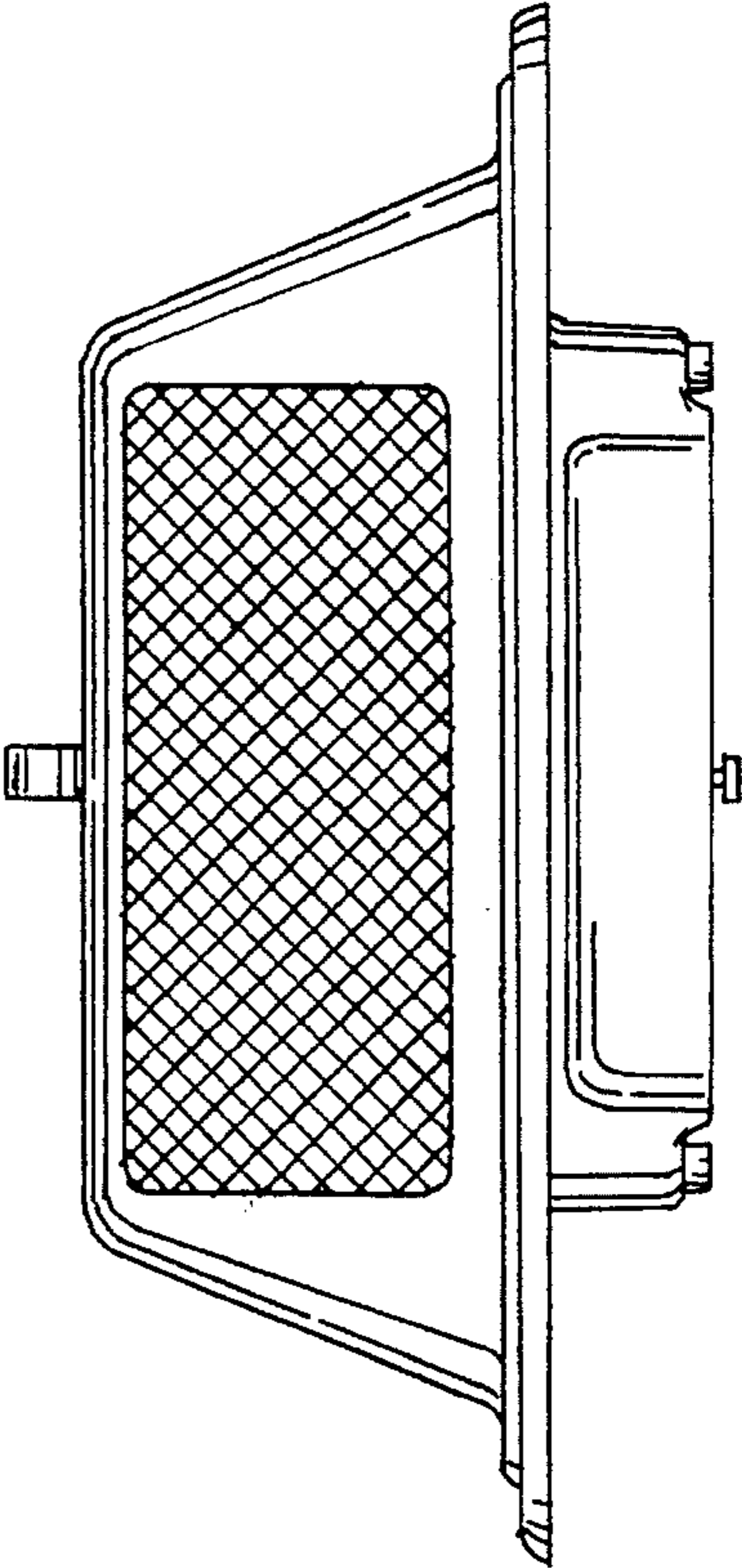


FIG. 6

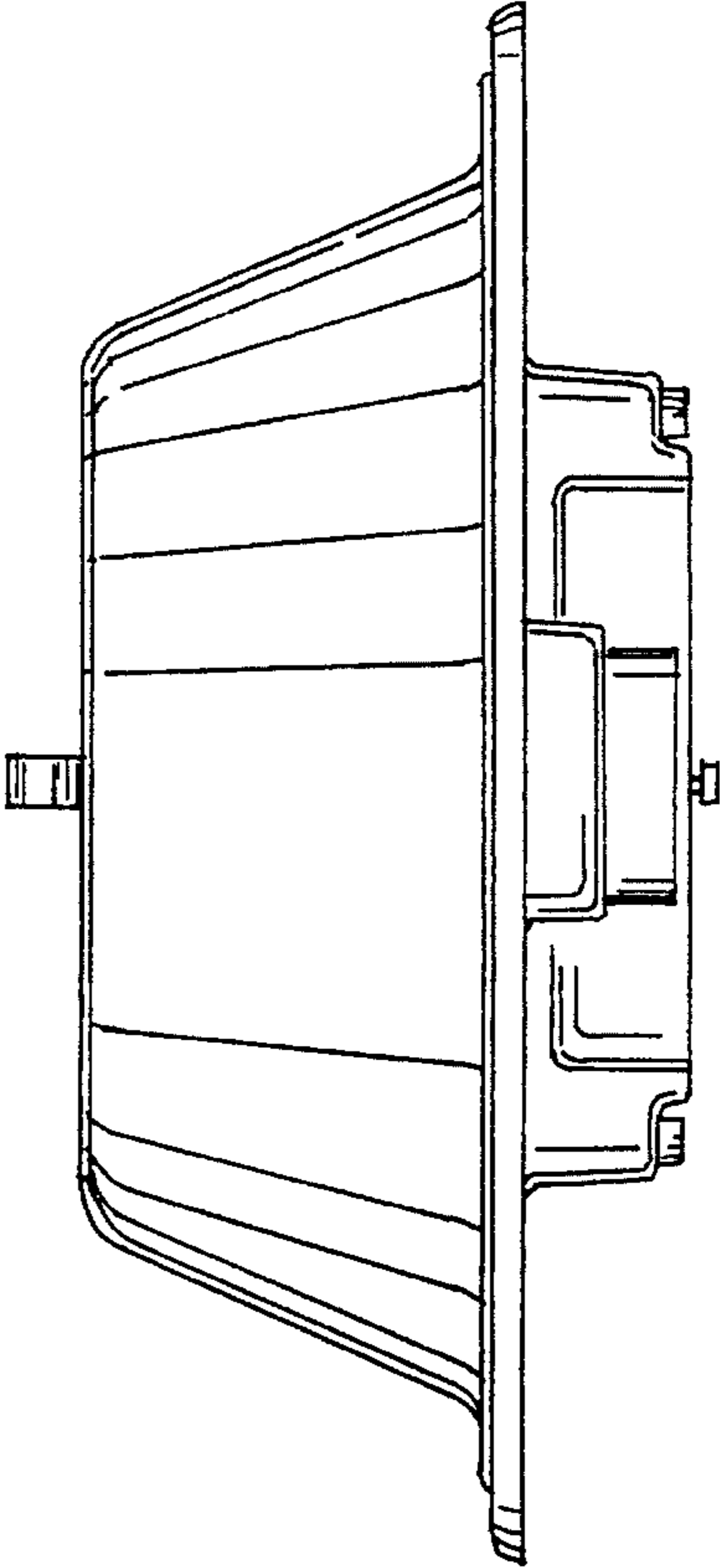


FIG. 7