



US00D365872S

United States Patent [19]

[11] Patent Number: Des. 365,872

Wilhelm et al.

[45] Date of Patent: **Jan. 2, 1996

[54] WATER CLOSET

D. 346,854 5/1994 Reid D23/301
4,987,616 1/1991 Ament 4/421

[75] Inventors: **Werner Wilhelm**, Oberrieden; **Olrich Lehmann**, Birmensdorf, both of Switzerland

Primary Examiner—Stella Reid
Assistant Examiner—Eric Watterson
Attorney, Agent, or Firm—Schweitzer Cornman & Gross

[73] Assignee: **Ows International AG**, Barr, Switzerland

[57] CLAIM

[**] Term: 14 Years

The ornamental design for a water closet, as shown and described.

[21] Appl. No.: 32,188

DESCRIPTION

[22] Filed: Dec. 14, 1994

FIG. 1 is a perspective view taken from the top, front, and right side of a water closet, showing our new design; FIG. 2 is another perspective view taken from the top, front, and right side thereof, showing the cleaning unit in a partially lowered position; FIG. 3 is third perspective view taken from the top, front, and right side thereof, showing the cleaning unit in a completely lowered position; FIG. 4 is a perspective view taken from the top and front of FIG. 1; FIG. 5 is a front perspective view thereof showing the toilet seat in a raised position; FIG. 6 is a front elevational view of that shown in FIG. 4; FIG. 7 is a left side elevational view thereof; FIG. 8 is a right side elevational view thereof; FIG. 9 is a top plan view thereof; and, FIG. 10 is a bottom plan view thereof.

Related U.S. Application Data

[62] Division of Ser. No. 12,879, Sep. 13, 1993, Pat. No. Des. 358,201.

[52] U.S. Cl. D23/299

[58] Field of Search D23/295, 298, D23/299, 300, 301; 4/353, 421, 424, 428, 430

[56] References Cited

U.S. PATENT DOCUMENTS

D. 262,647 1/1982 Koiser D23/301
D. 276,176 10/1984 Kaiser D23/301
D. 314,236 1/1991 Ament D23/301
D. 323,551 1/1992 Fait D23/301

1 Claim, 6 Drawing Sheets

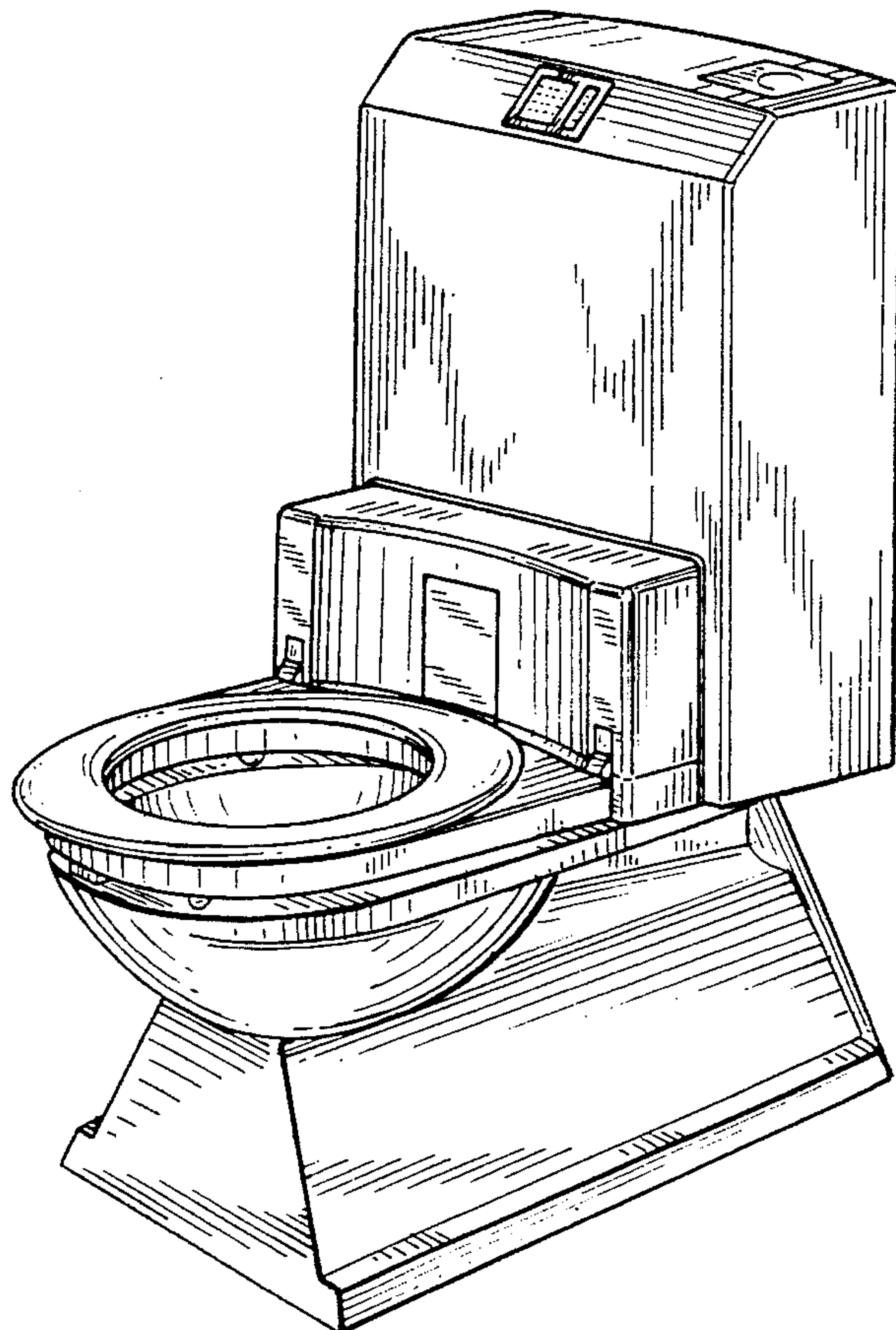
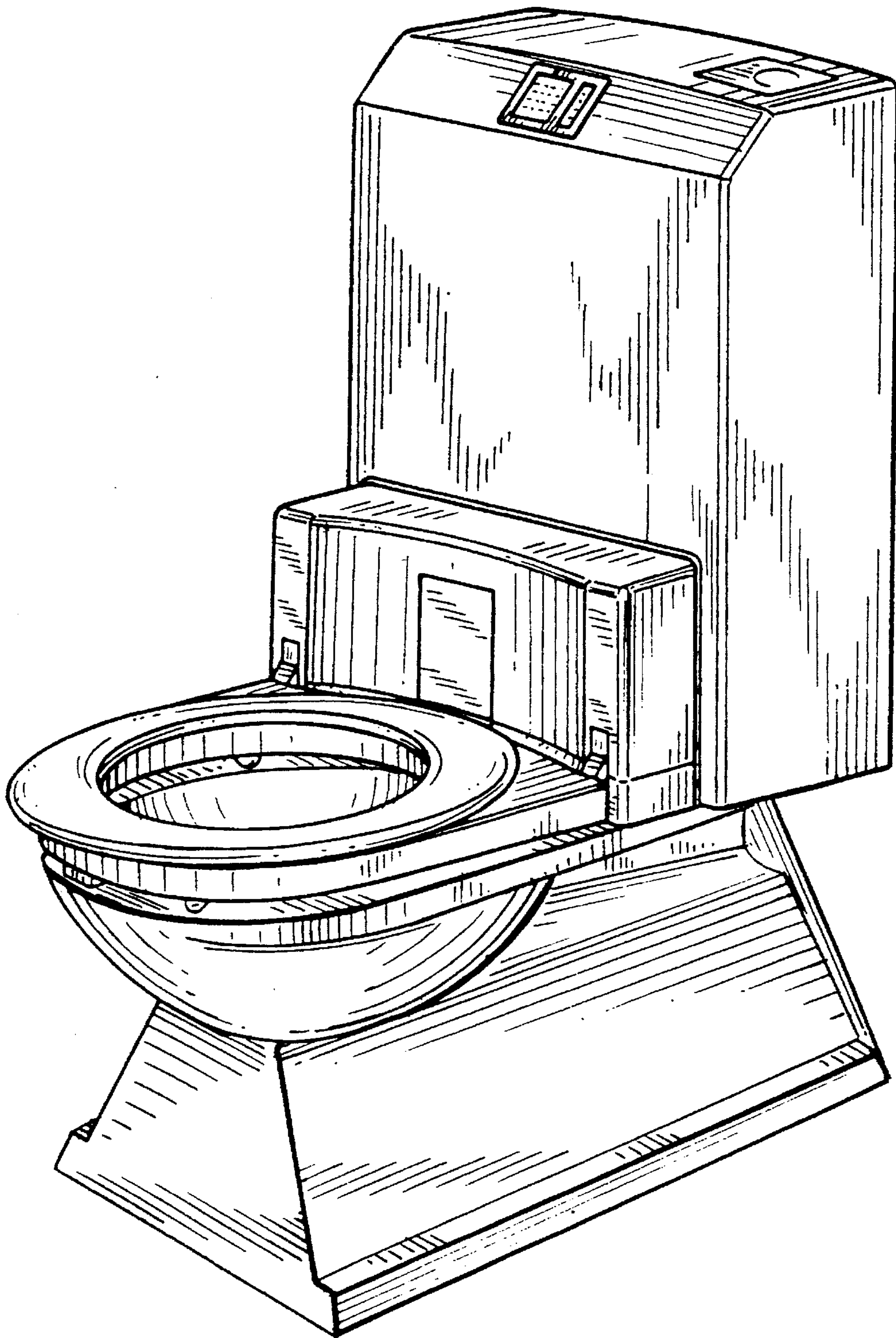


FIG. 1



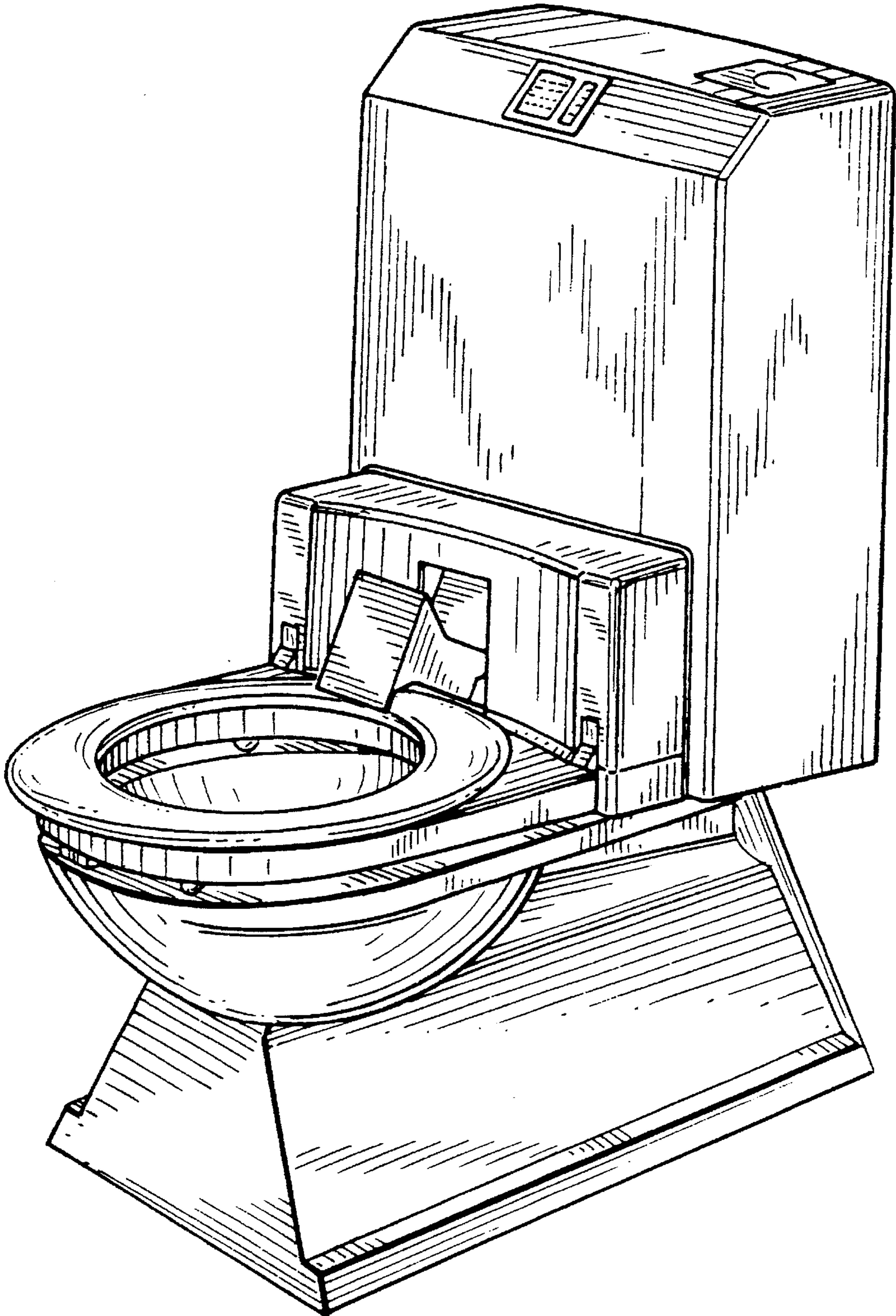


FIG. 2

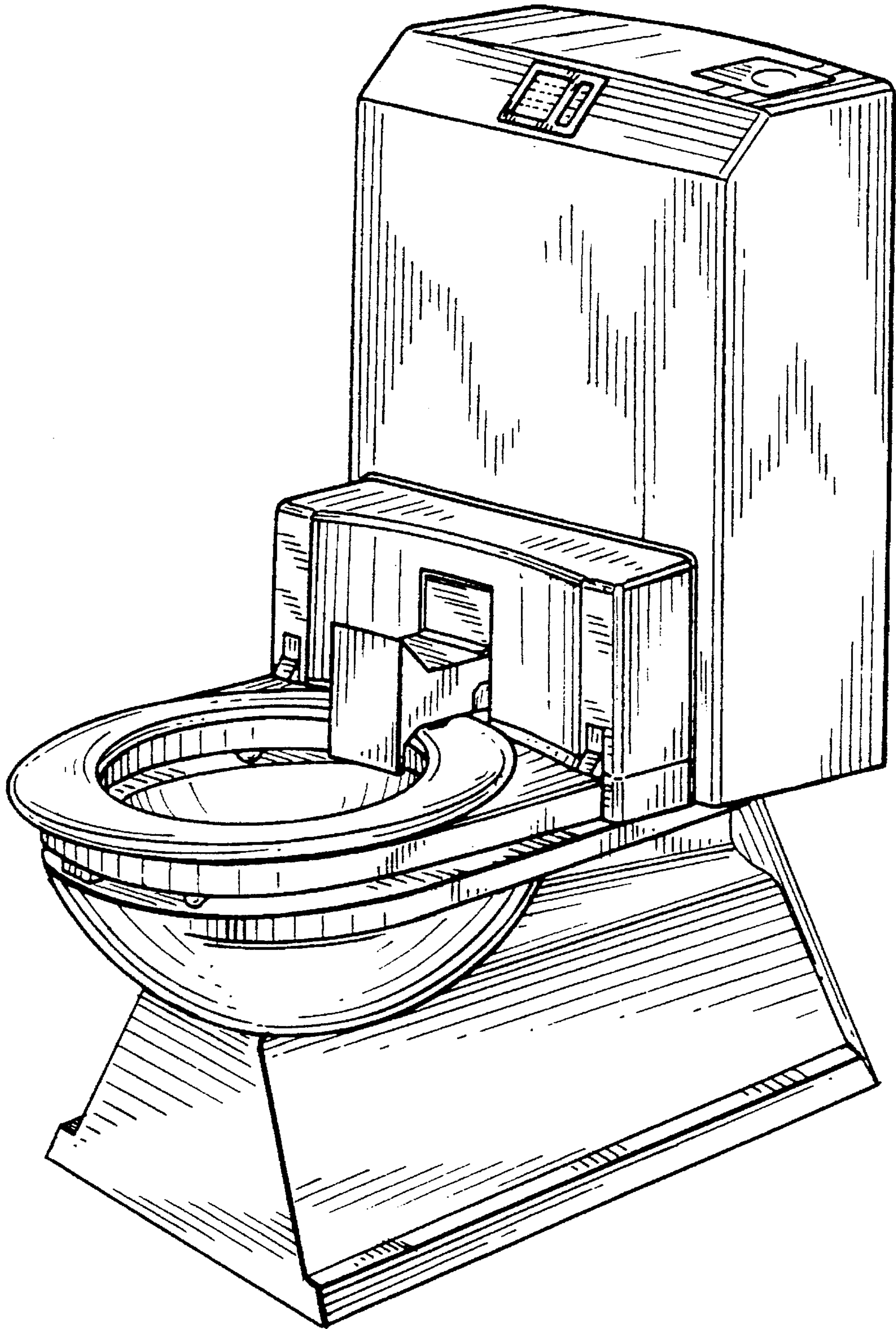


FIG. 3

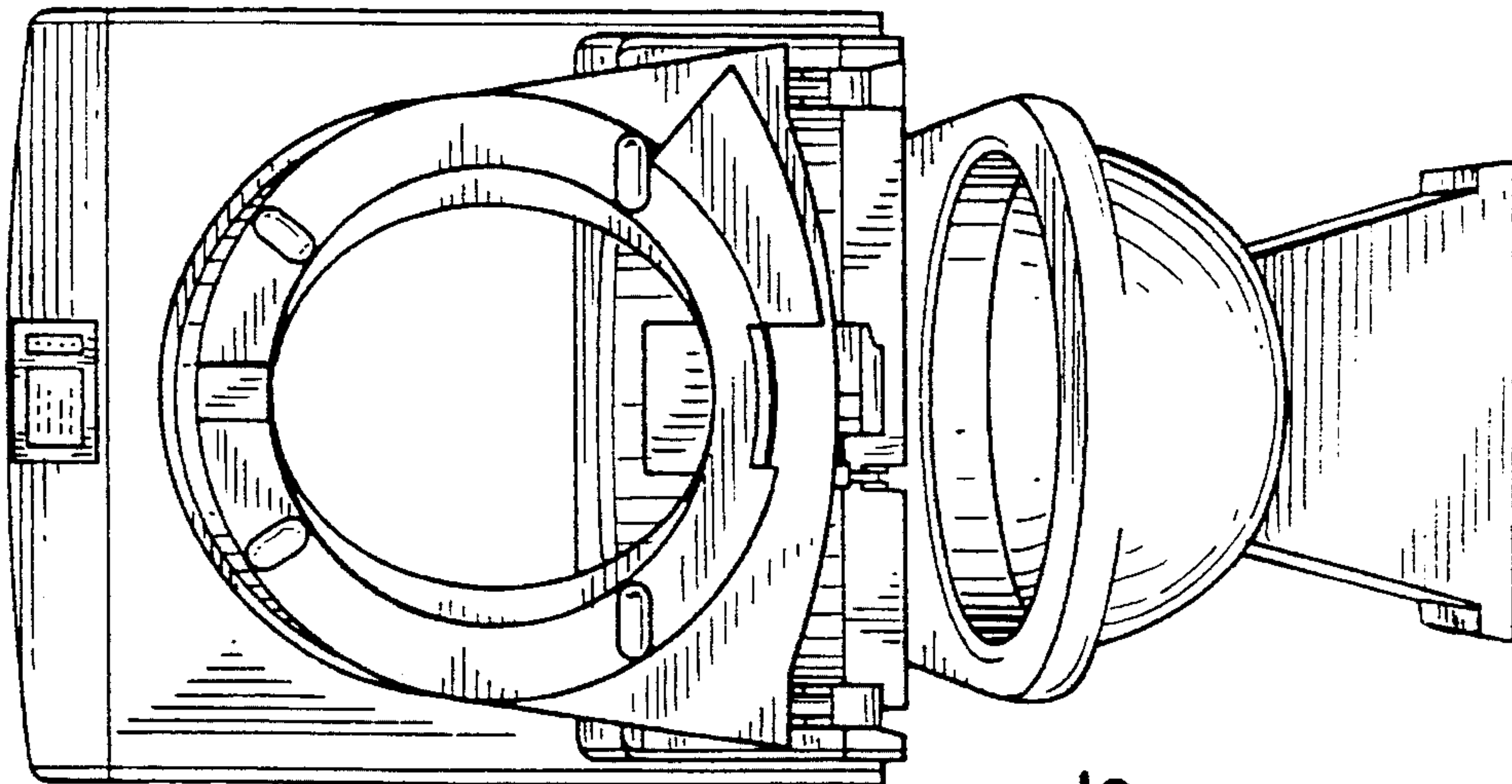


FIG. 5

FIG. 4

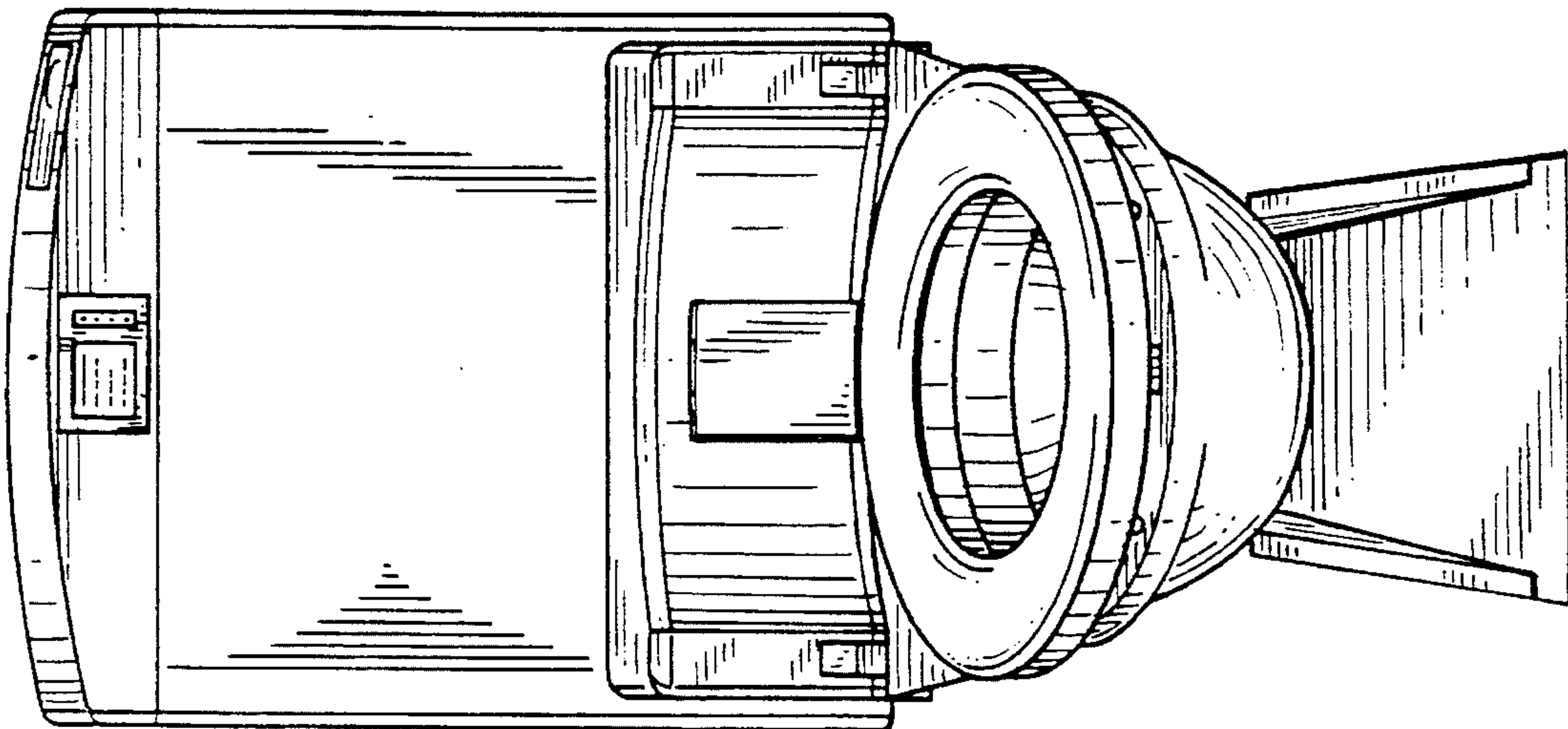


FIG. 6

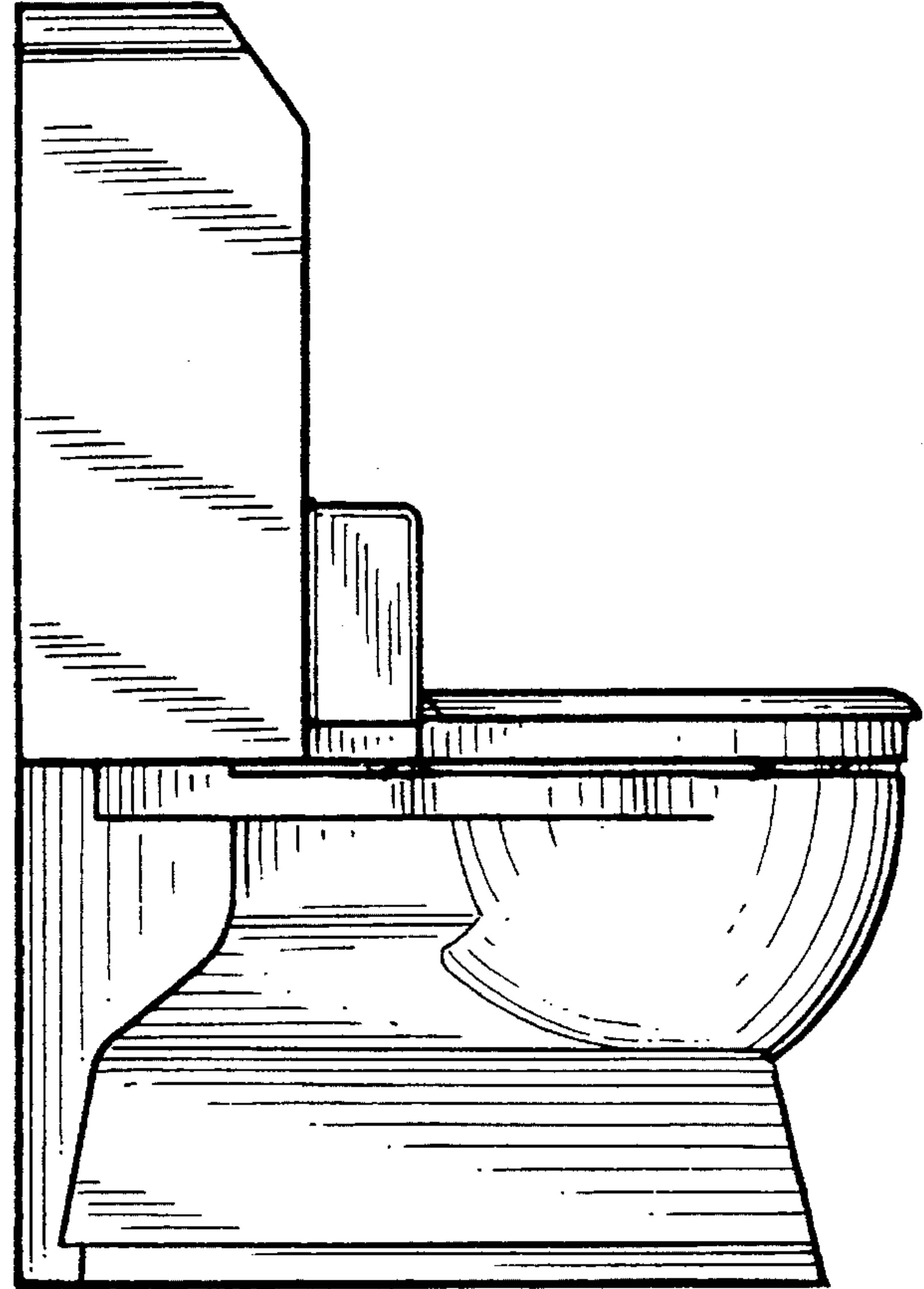
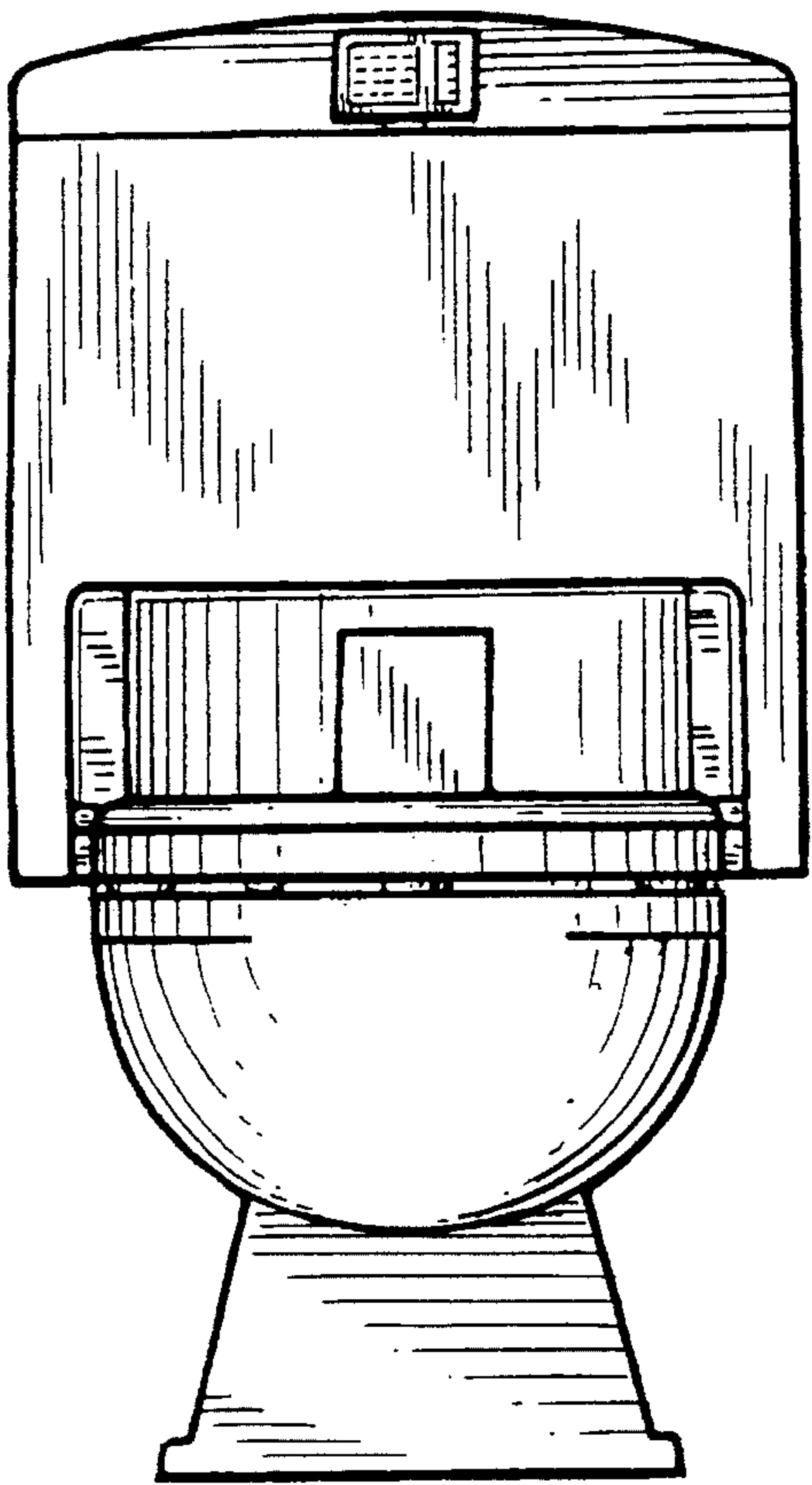


FIG. 7

FIG. 8

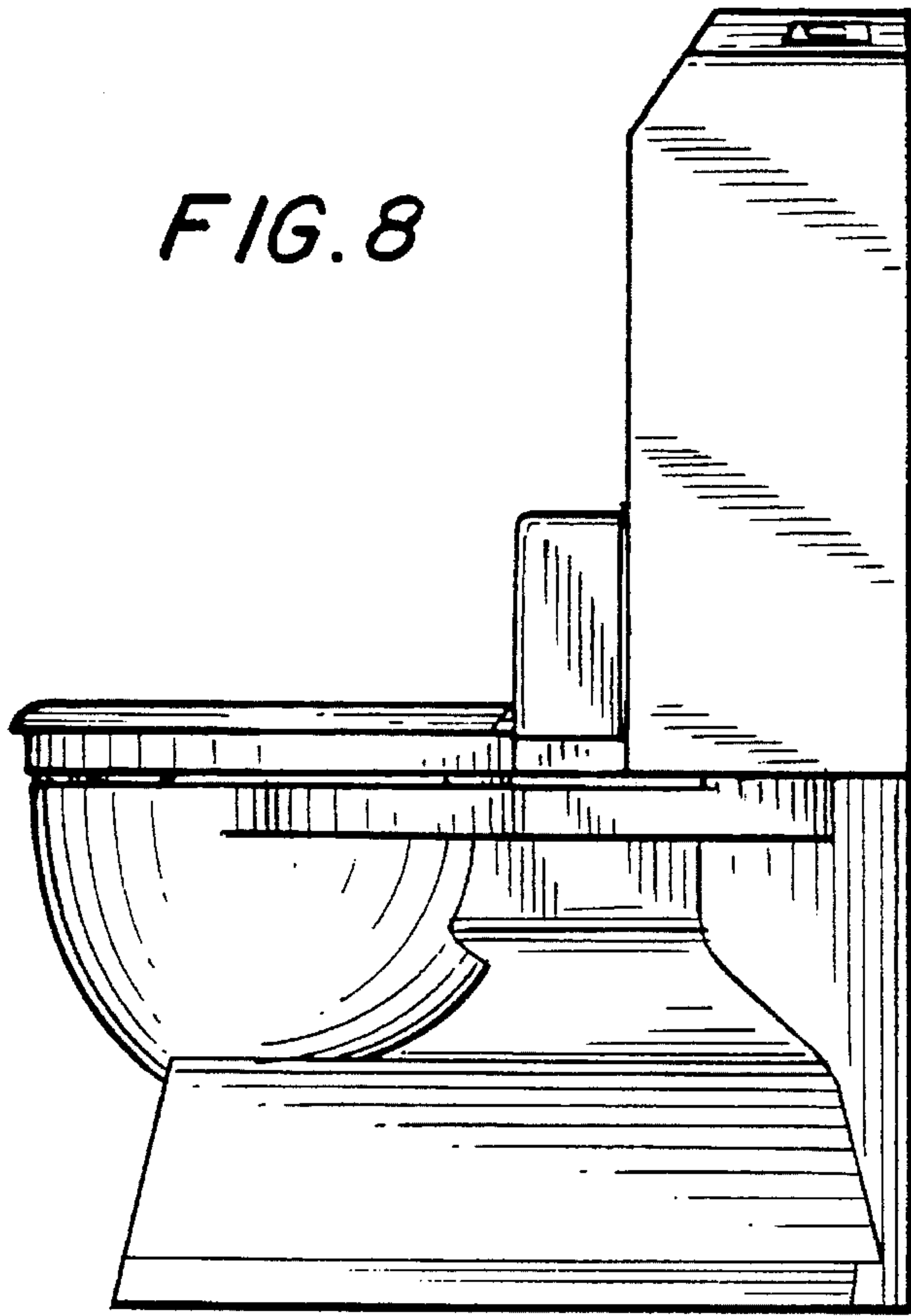


FIG. 9

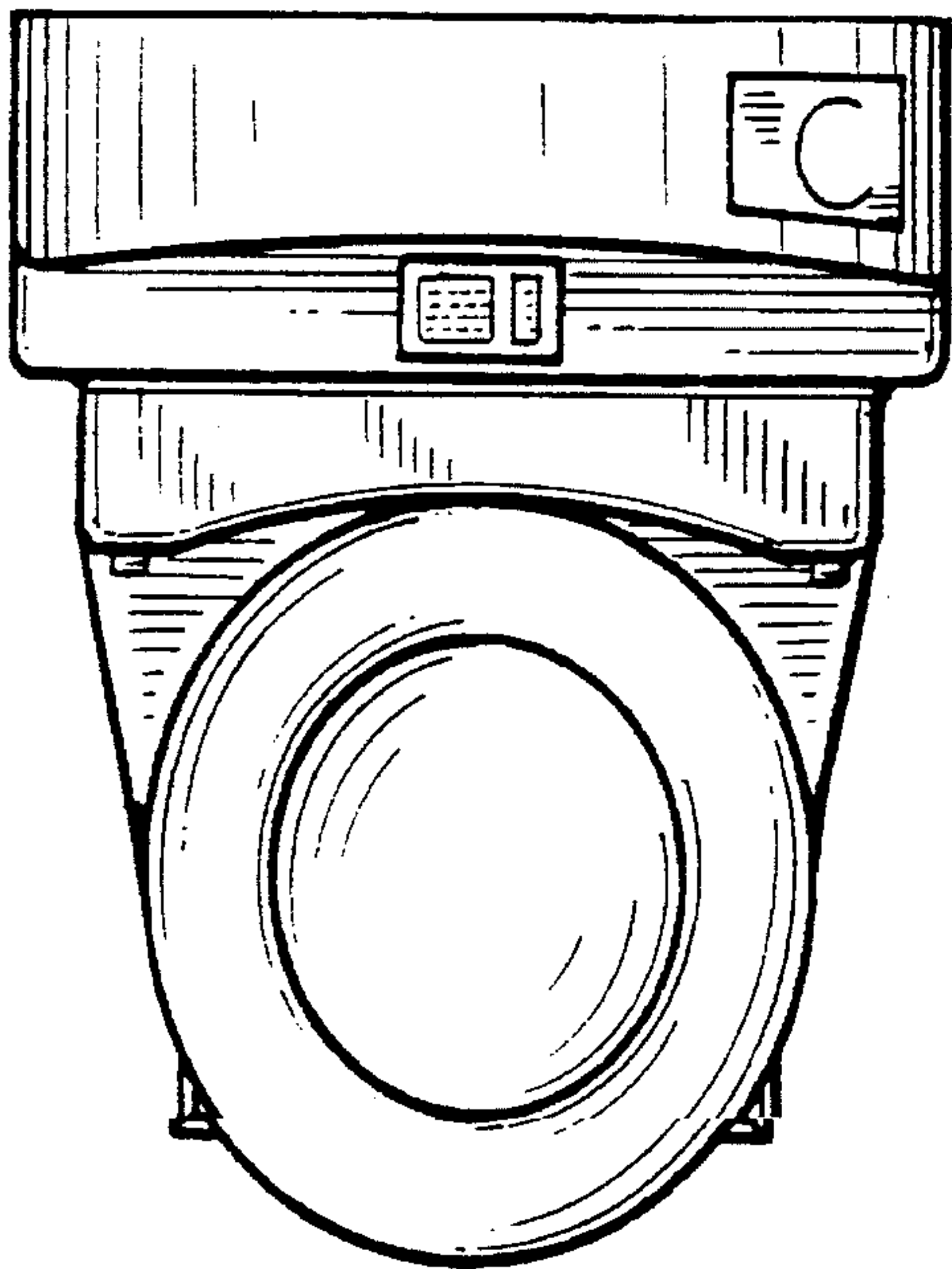


FIG. 10

