



US00D365870S

# United States Patent [19]

Miller

[11] Patent Number: **Des. 365,870**

[45] Date of Patent: **\*\*Jan. 2, 1996**

[54] **ADJUSTABLE FISHING ROD HOLDER**

[75] Inventor: **Timothy J. Miller**, Ligonier, Ind.

[73] Assignee: **Universal Consolidated Methods, Inc.**,  
Topeka, Ind.

[\*\*] Term: **14 Years**

[21] Appl. No.: **28,230**

[22] Filed: **Sep. 9, 1994**

[52] U.S. Cl. .... **D22/147; D8/71**

[58] Field of Search ..... **D8/70, 71, 72;**  
**D15/140; D22/147, 148; 81/180.1; 248/514;**  
**43/21.2**

[56] **References Cited**

**U.S. PATENT DOCUMENTS**

D. 234,745	4/1975	McCue	.....	D8/71
D. 283,909	5/1986	Hoover	.....	D22/147
D. 284,294	6/1986	Upton	.....	D8/71
D. 293,359	12/1987	Gust et al.	.....	D22/147
D. 306,521	3/1990	Kenney	.....	D8/71
D. 330,753	11/1992	Gutierrez	.....	D22/147

D. 332,299	1/1993	Dryna et al.	.....	D22/147
D. 343,441	1/1994	Peacock	.....	D22/147
D. 345,409	3/1994	Baynard	.....	D22/147
2,988,311	6/1961	Bow	.....	248/514
5,088,224	2/1992	Gutierrez	.....	43/21.2
5,187,892	2/1993	Gutierrez	.....	43/21.2

*Primary Examiner*—Alan P. Douglas  
*Assistant Examiner*—Robert M. Spear  
*Attorney, Agent, or Firm*—Roger M. Rickert

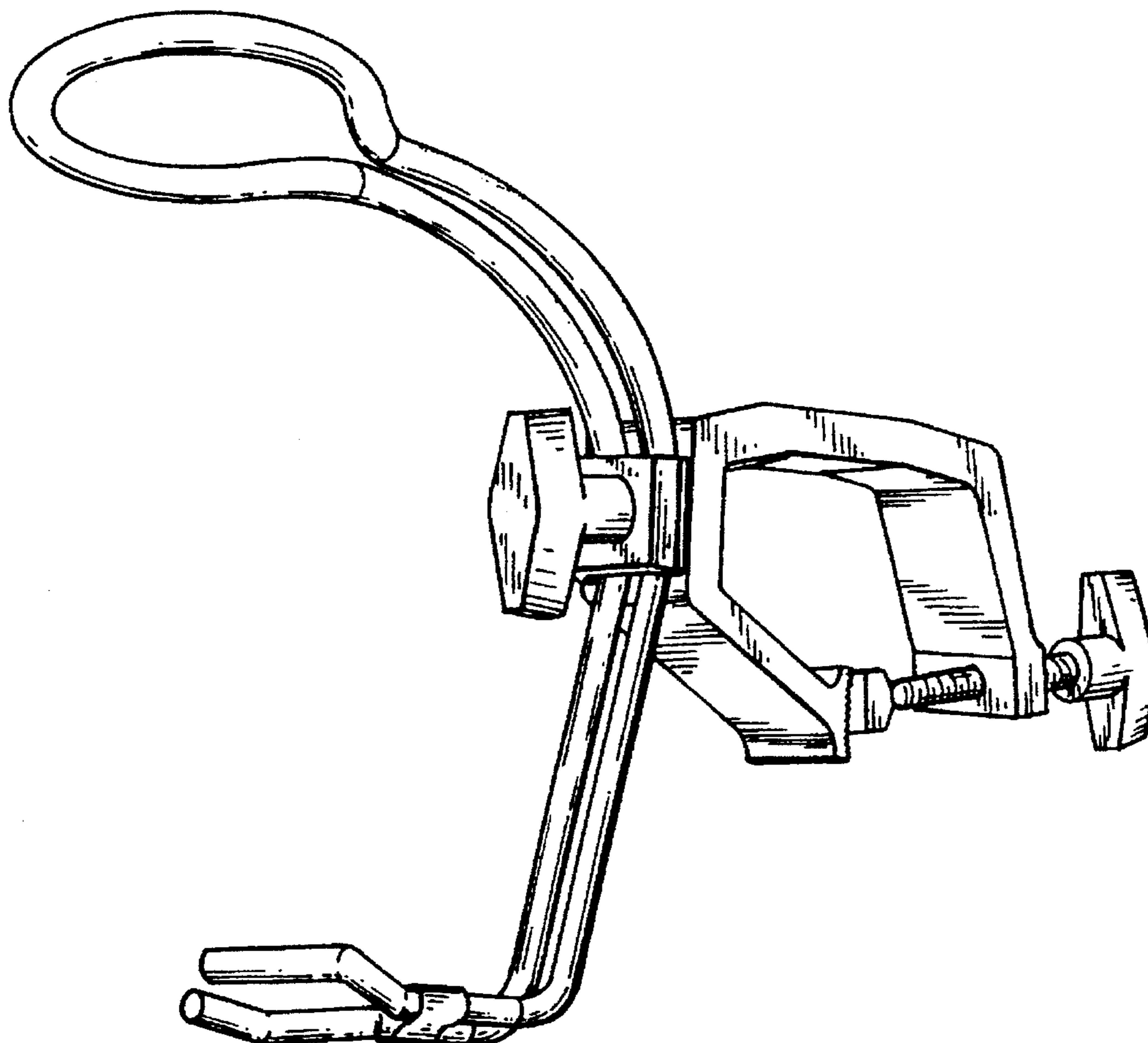
[57] **CLAIM**

The ornamental design for an adjustable fishing rod holder, as shown and described.

**DESCRIPTION**

FIG. 1 is a perspective view of the adjustable fishing rod holder illustrating my new design; FIG. 2 is a side elevational view of the adjustable fishing rod holder of FIG. 1, the other side having the same appearance; FIG. 3 is a top plan view thereof; FIG. 4 is a front end elevational view thereof; FIG. 5 is a rear end elevational view thereof; and, FIG. 6 is a bottom plan view thereof.

**1 Claim, 2 Drawing Sheets**



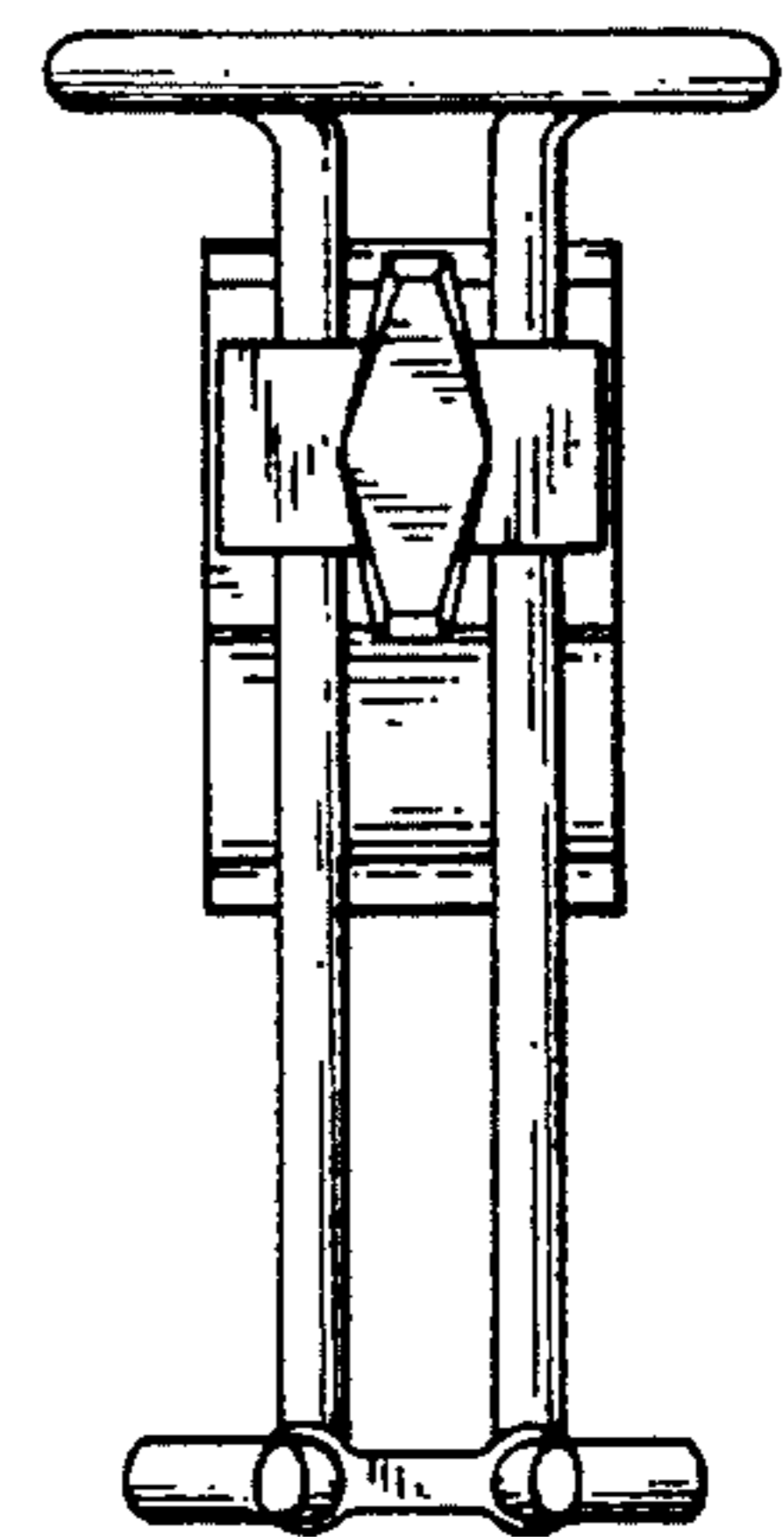
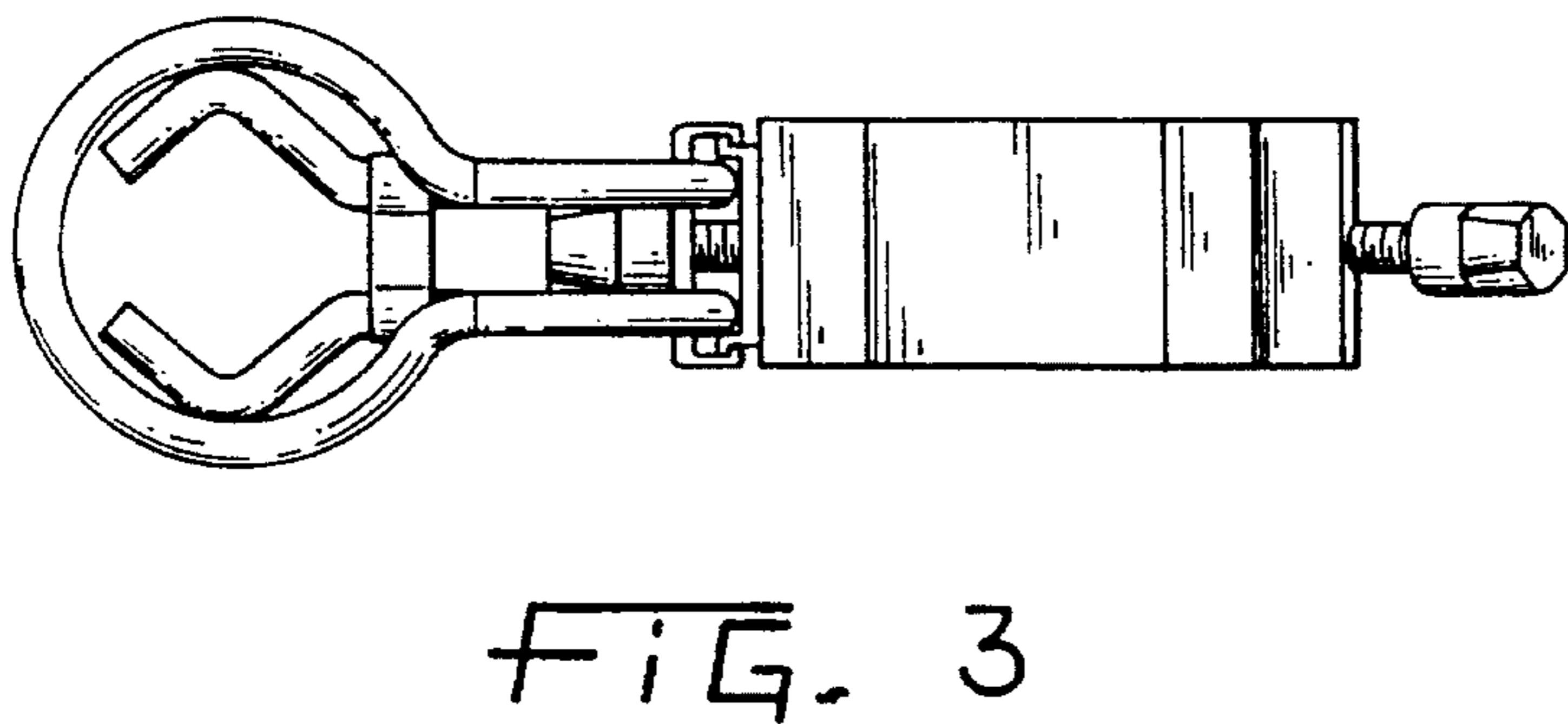
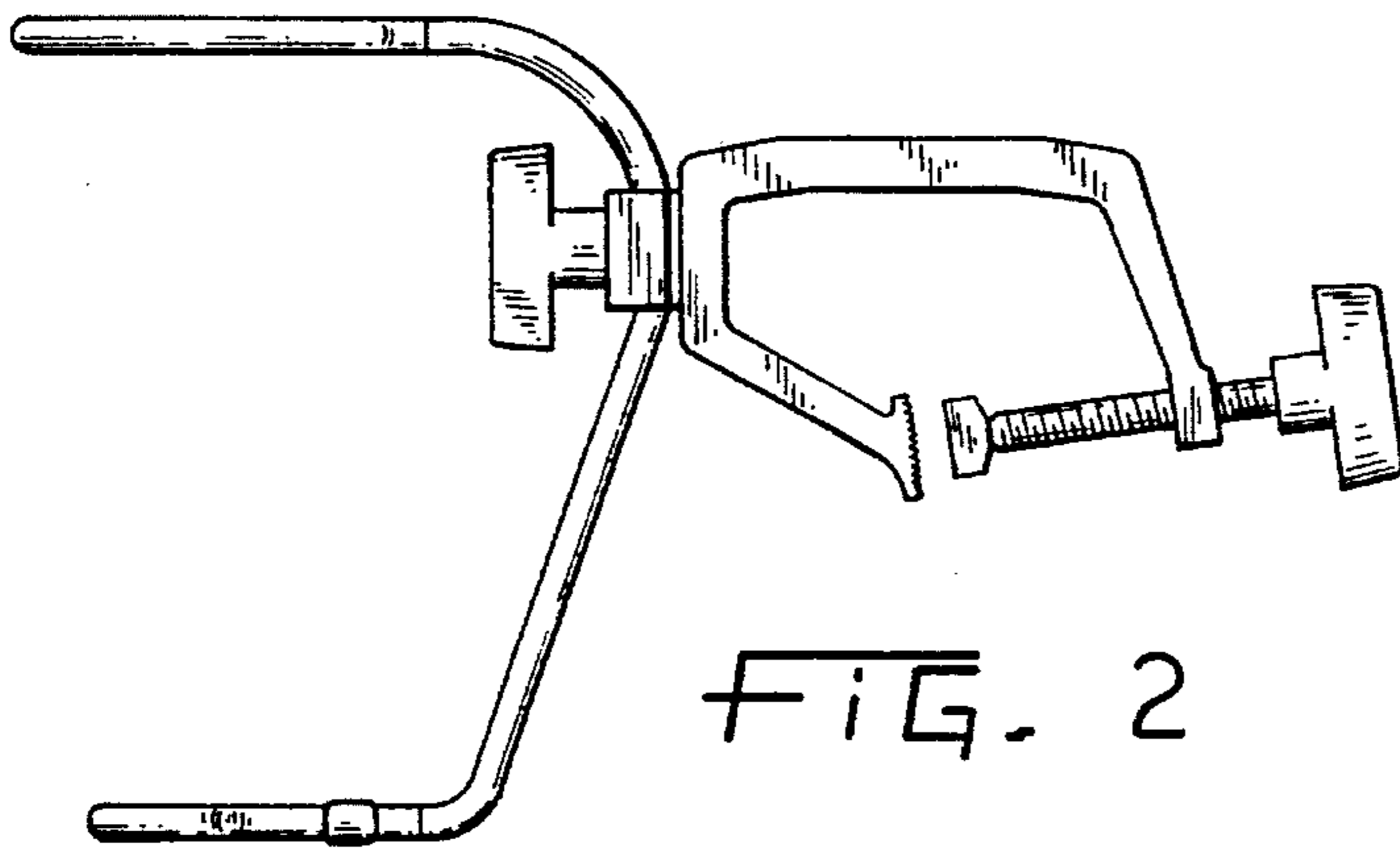
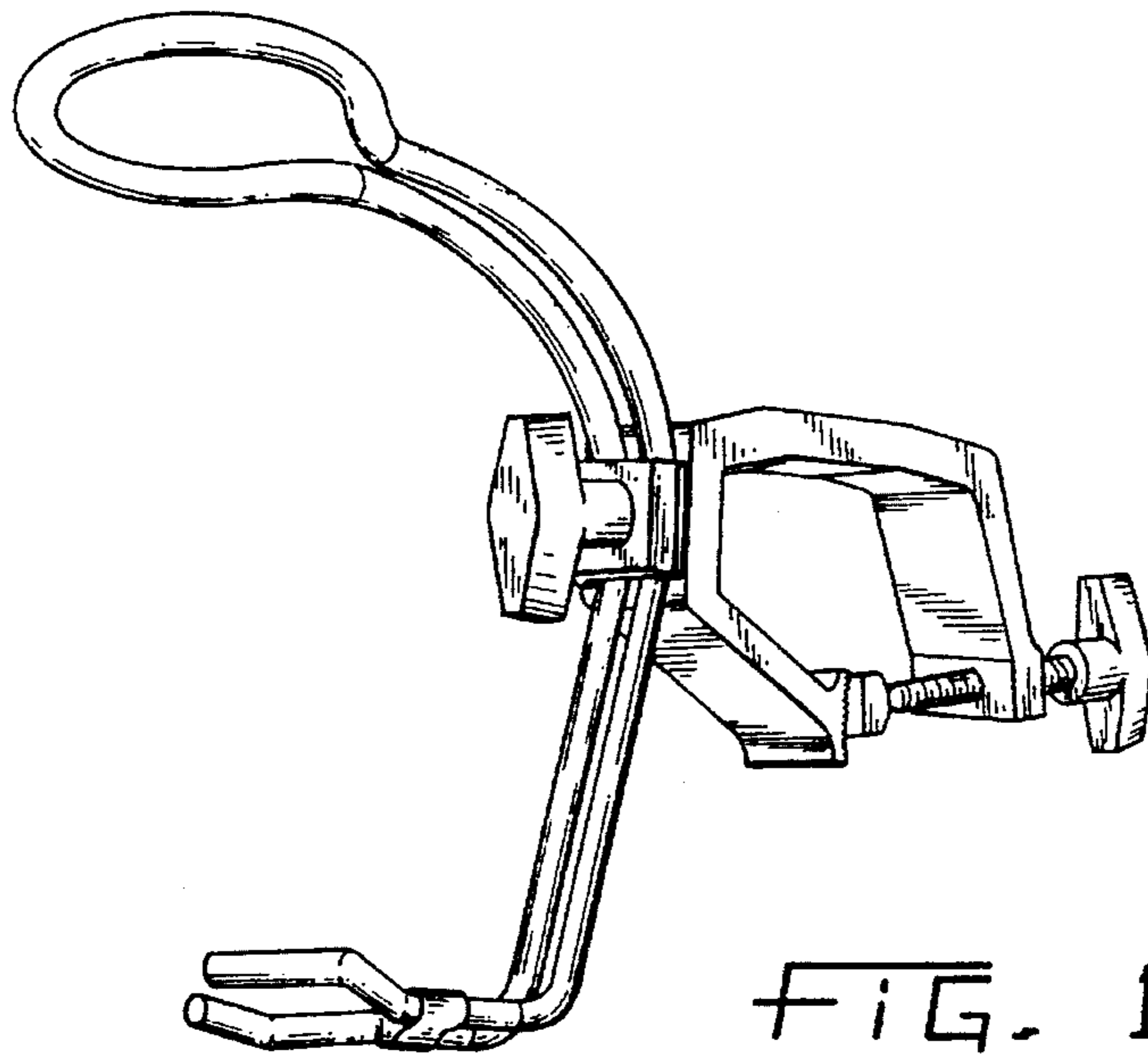


FIG. 4

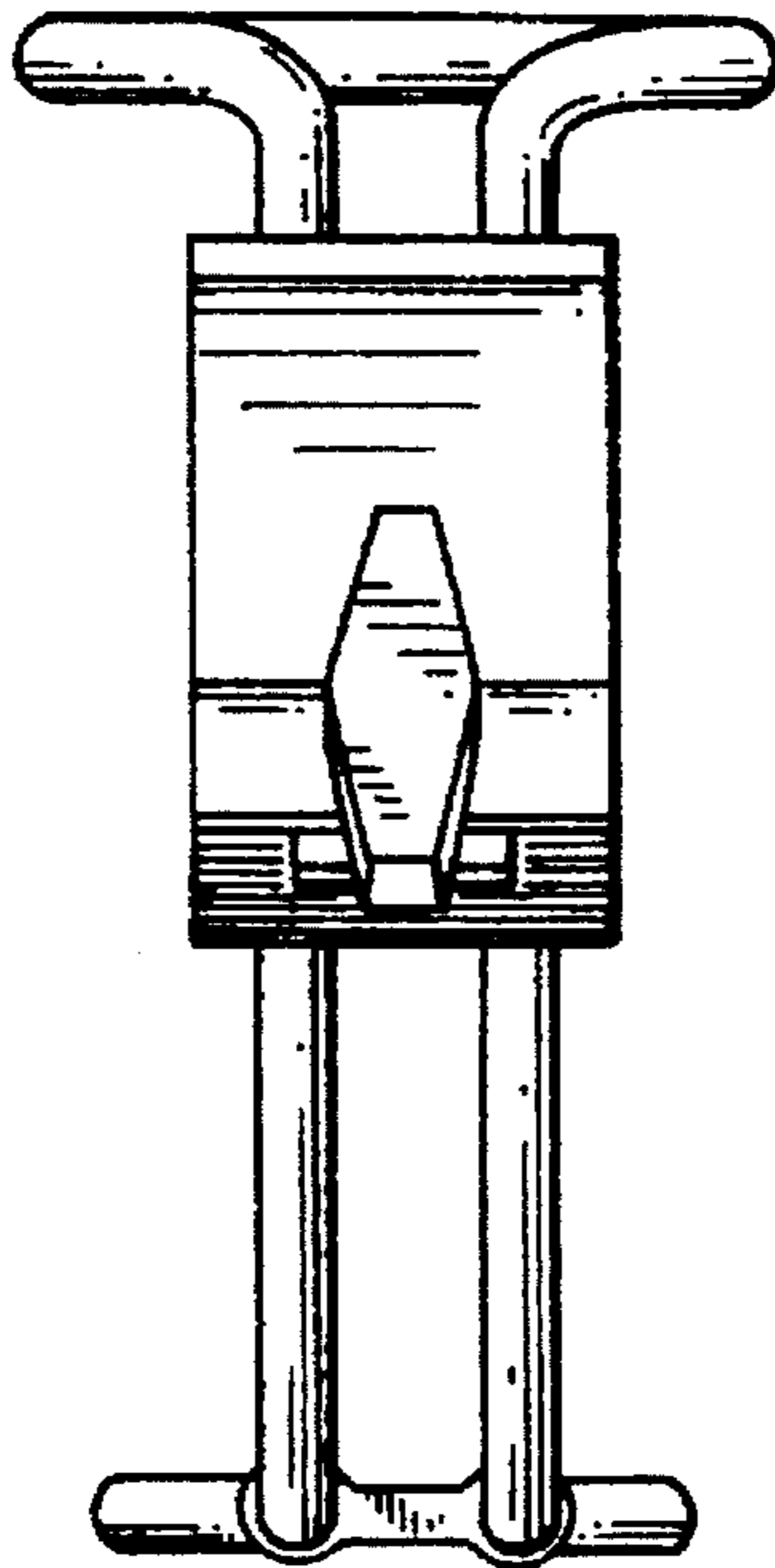


FIG. 5

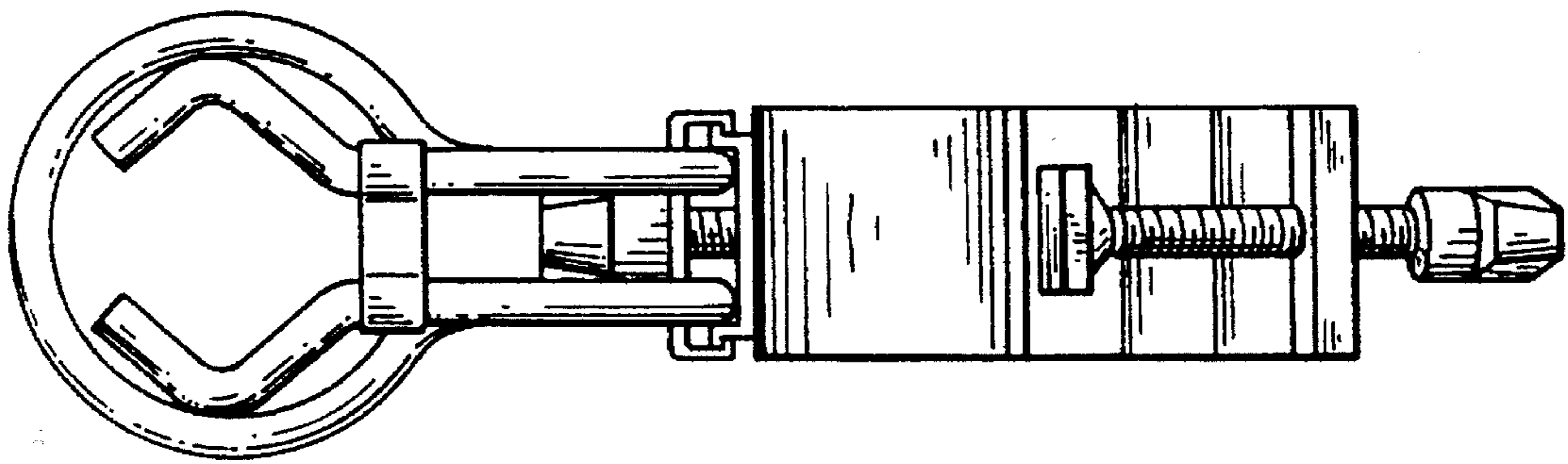


FIG. 6