



US00D365868S

**United States Patent** [19]  
**Cooper**

[11] **Patent Number: Des. 365,868**  
[45] **Date of Patent: \*\*Jan. 2, 1996**

[54] **BEE FLY SWATTER**

D. 358,446 5/1995 Cooper ..... D22/124  
2,736,129 2/1956 Roop ..... D22/124 X

[75] Inventor: **Sandy Cooper**, New York, N.Y.

*Primary Examiner*—Doris V. Coles  
*Attorney, Agent, or Firm*—Stanley J. Yavner

[73] Assignee: **Sun It Corp.**, Mt. Vernon, N.Y.

[\*\*] Term: **14 Years**

[57] **CLAIM**

The ornamental design for a bee fly swatter, as shown and described.

[21] Appl. No.: **24,804**

[22] Filed: **Jun. 21, 1994**

**DESCRIPTION**

[52] U.S. Cl. .... **D22/124**

[58] Field of Search ..... D22/124; 43/137;  
D21/148; D11/49, 82, 239

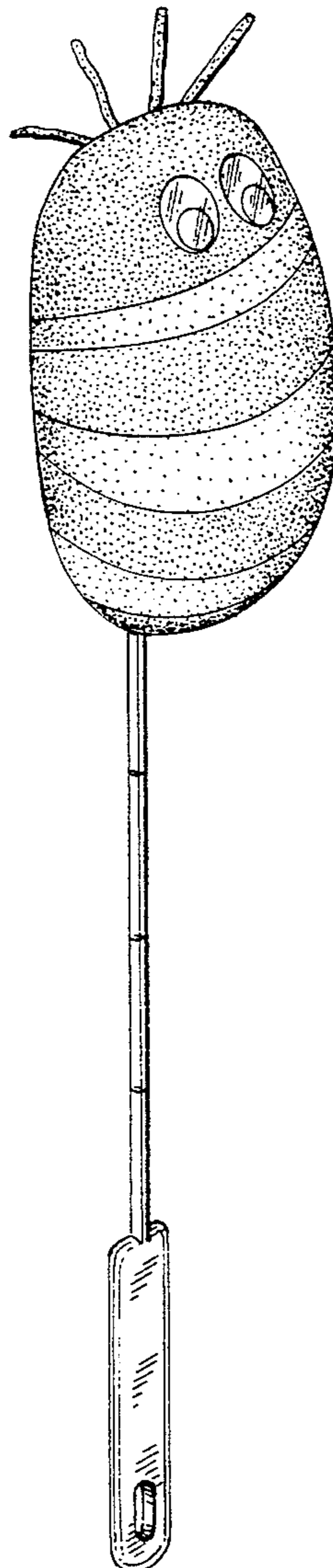
FIG. 1 is a left side and front isometric view of the bee fly swatter embodying my new design;  
FIG. 2 is a top plan view thereof;  
FIG. 3 is a front elevational view thereof;  
FIG. 4 is a right side elevational view thereof;  
FIG. 5 is a rear elevational view thereof; and,  
FIG. 6 is a bottom plan view thereof.

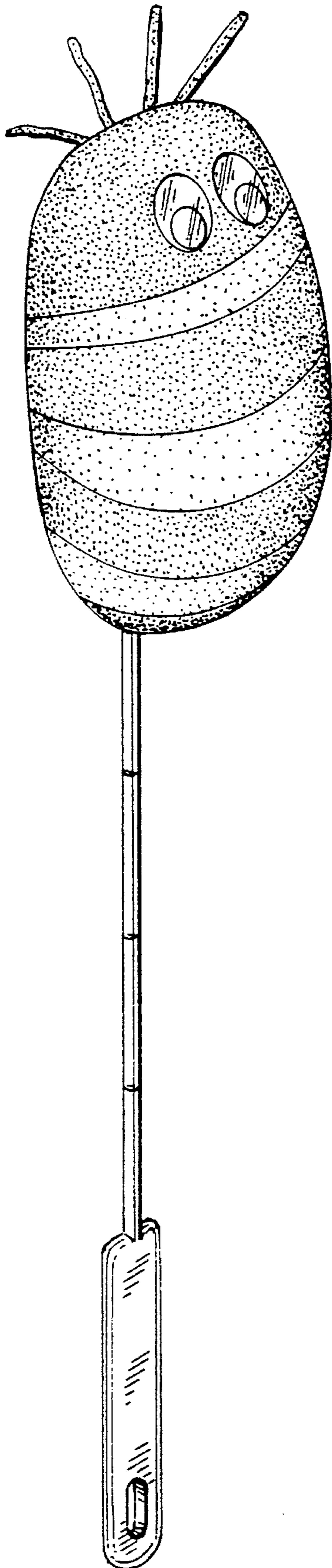
[56] **References Cited**

**U.S. PATENT DOCUMENTS**

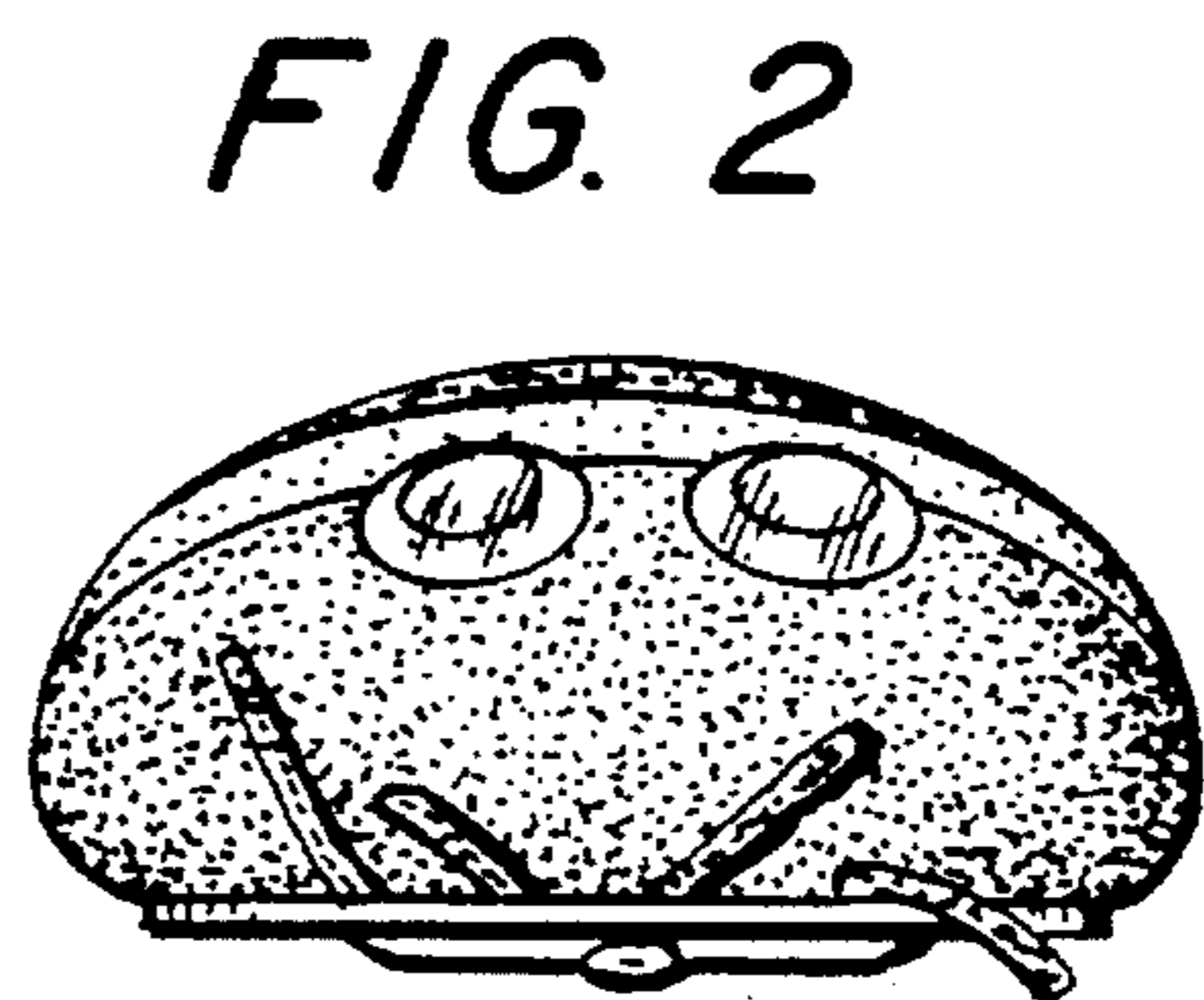
- D. 142,728 10/1945 Morrow ..... D11/49
- D. 266,182 9/1982 Borer ..... D22/124
- D. 266,689 10/1982 Seidel ..... D22/124
- D. 327,938 7/1992 Shadyac ..... D22/124

**1 Claim, 3 Drawing Sheets**



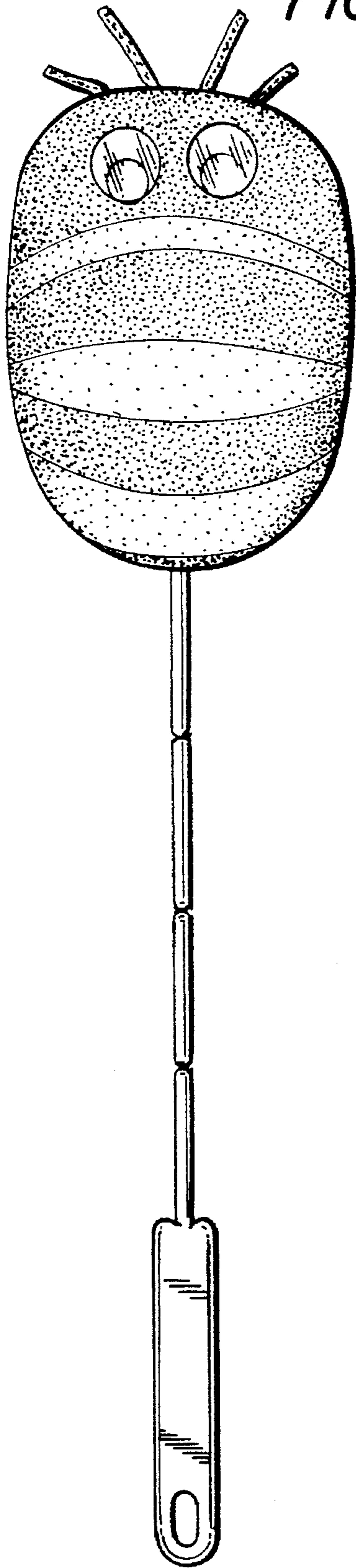


*FIG. 1*

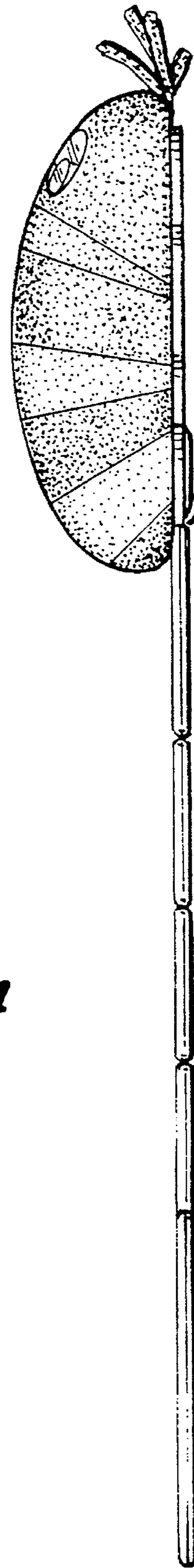


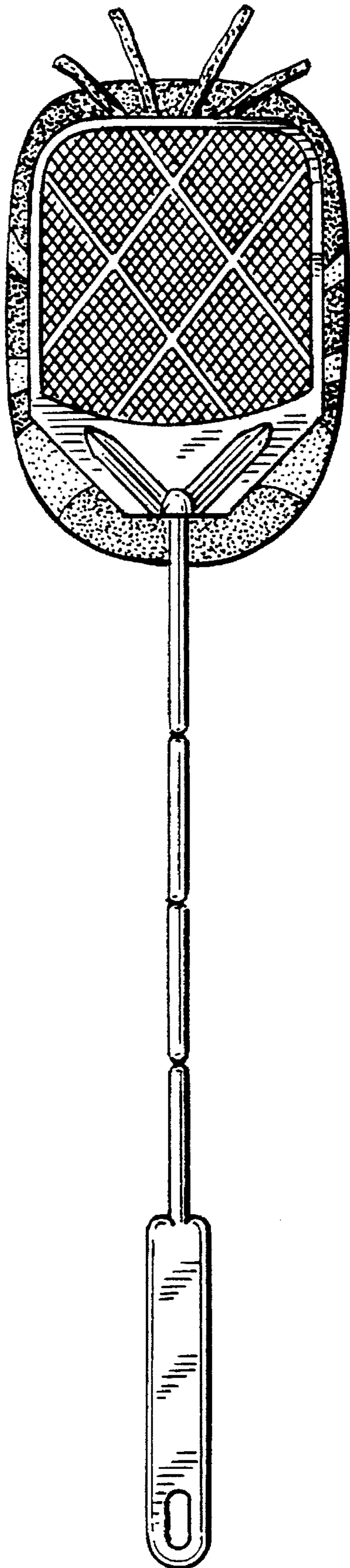
*FIG. 2*

*FIG. 3*



*FIG. 4*





*FIG. 5*

*FIG. 6*

