



US00D365867S

United States Patent [19]
Flanagan

[11] **Patent Number:** **Des. 365,867**

[45] **Date of Patent:** ****Jan. 2, 1996**

[54] **MULTIPLE PROJECTILES SABBOT**

3,726,231 4/1973 Kelly et al. 102/522
4,434,718 3/1984 Kopsch et al. 102/501 X

[76] Inventor: **John M. Flanagan**, 1525 Moon Ter.,
Medford, Oreg. 97504

Primary Examiner—Louis S. Zarfaz
Assistant Examiner—Monica A. Hannon

[**] Term: **14 Years**

[57] **CLAIM**

[21] Appl. No.: **18,649**

The ornamental design for a multiple projectiles sabbot, as shown and described.

[22] Filed: **Feb. 14, 1994**

[52] U.S. Cl. **D22/116; D22/115**

DESCRIPTION

[58] **Field of Search** D22/115, 116;
102/217, 464, 501, 521, 520, 522, 523,
524, 526; D21/145; 42/69.01, 105; 86/23,
31, 32

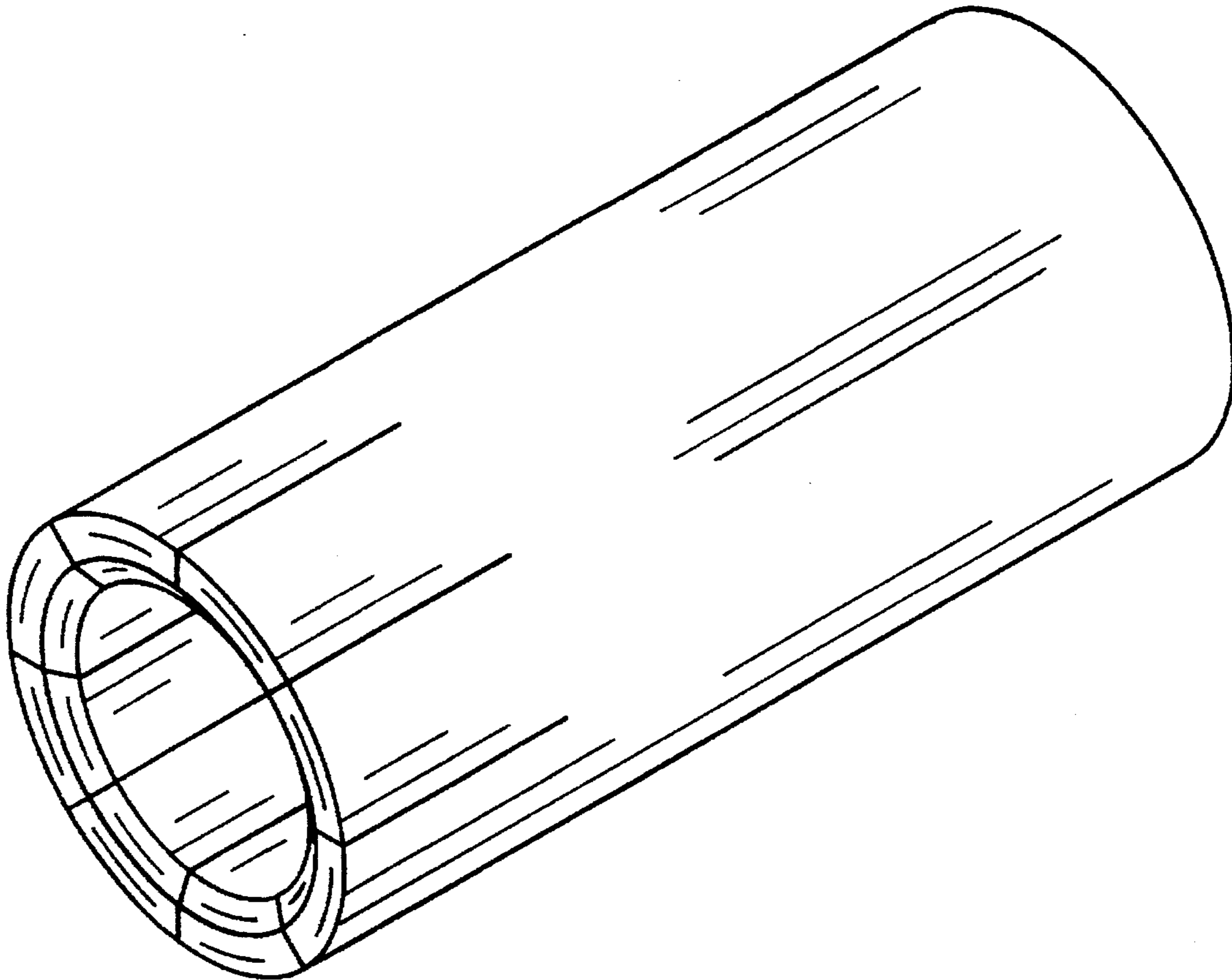
FIG. 1 is a top plan view of a multiple projectiles sabbot showing my new design;
FIG. 2 is a bottom plan view thereof;
FIG. 3 is a front elevational view thereof, the opposite back elevational view being a mirror image of that shown;
FIG. 4 is a right side elevational view thereof, the opposite left side elevational view being a mirror image of that shown;
FIG. 5 is a top perspective view thereof; and,
FIG. 6 is a bottom perspective view thereof.

[56] **References Cited**

U.S. PATENT DOCUMENTS

3,005,408 10/1961 Prosen et al. 102/522
3,113,483 12/1963 Puth 86/29 X
3,400,661 9/1968 Coon et al. 102/522
3,444,777 5/1969 Lage 86/23

1 Claim, 6 Drawing Sheets



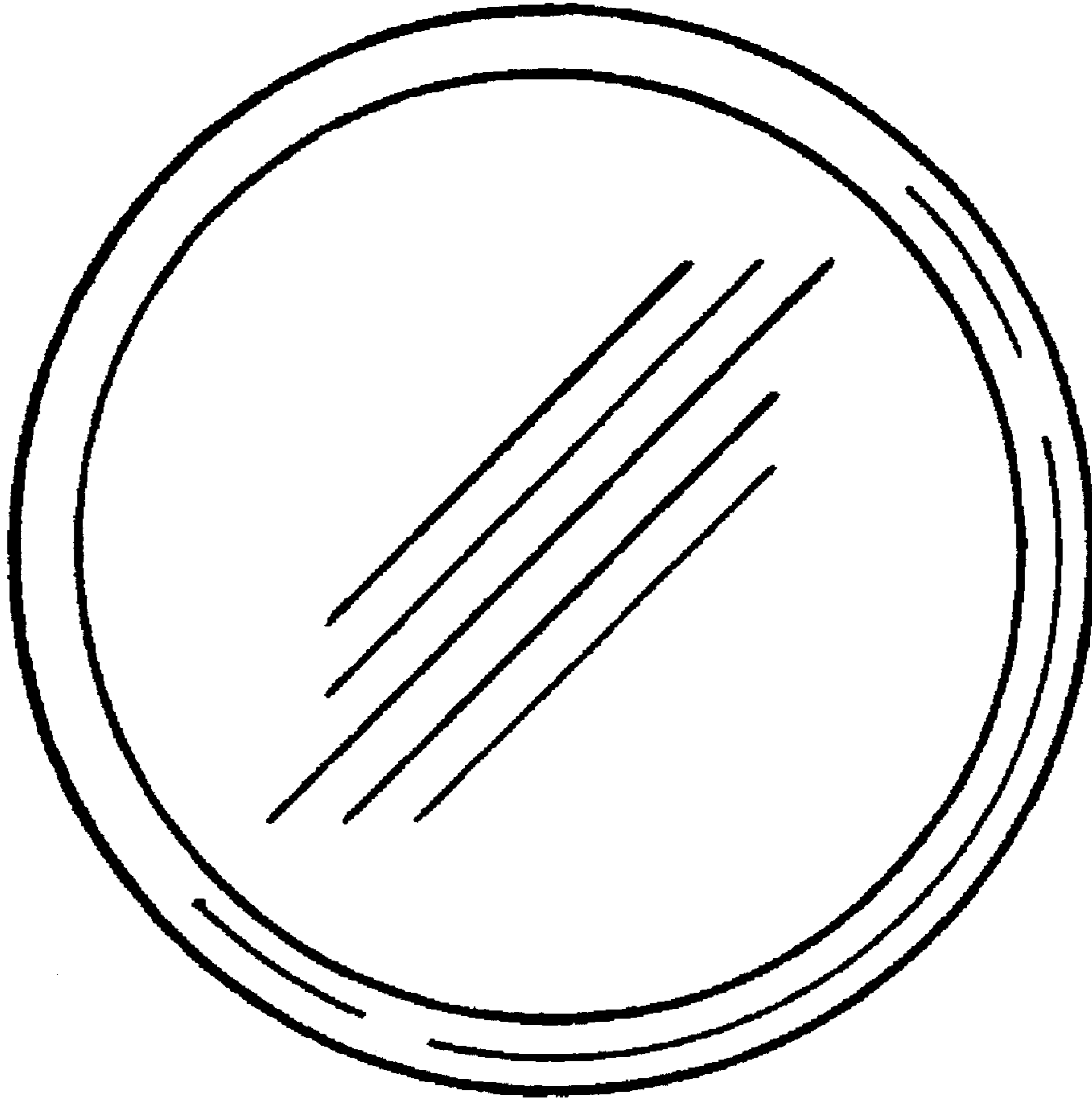


FIG. 1

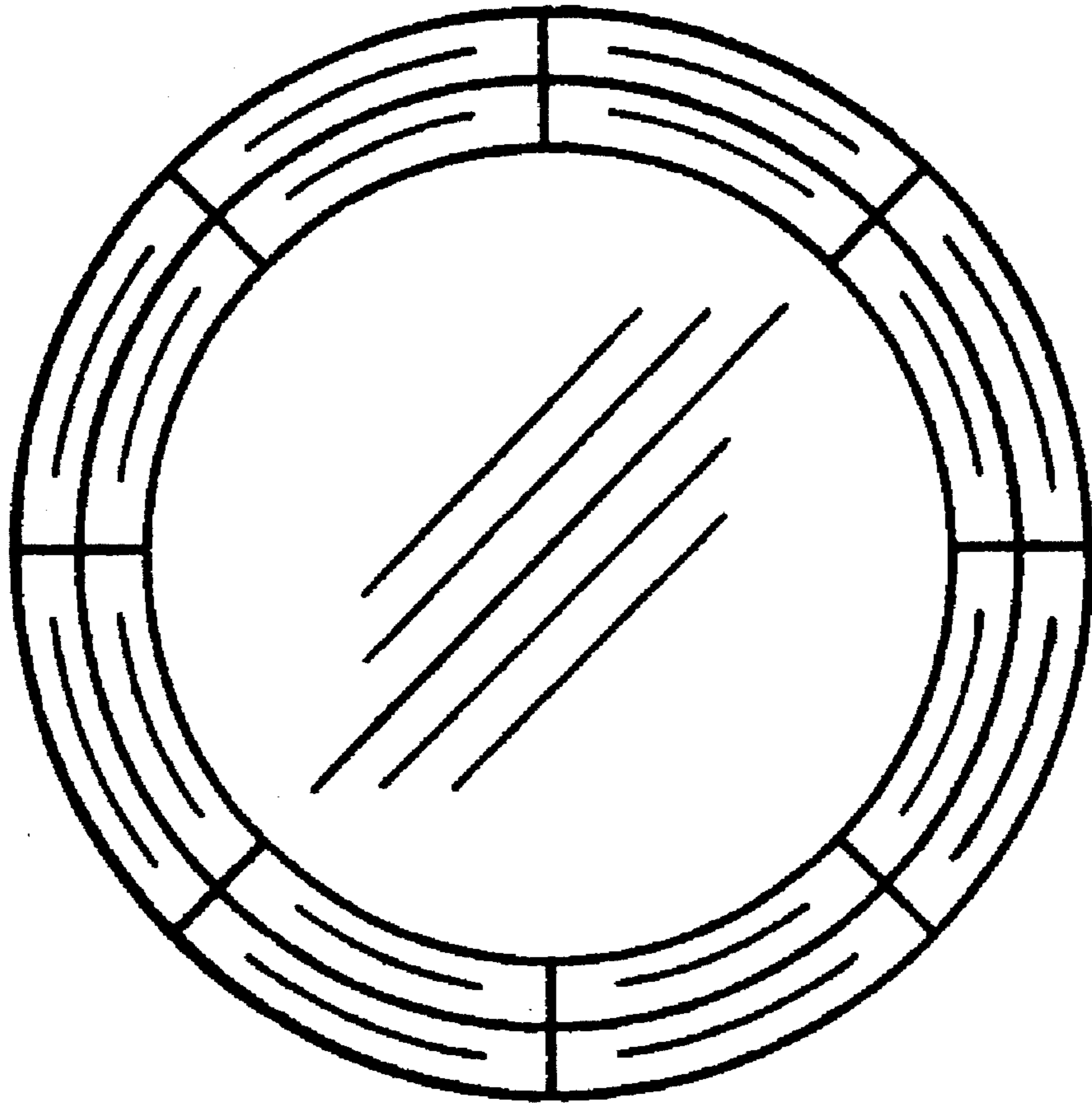


FIG. 2

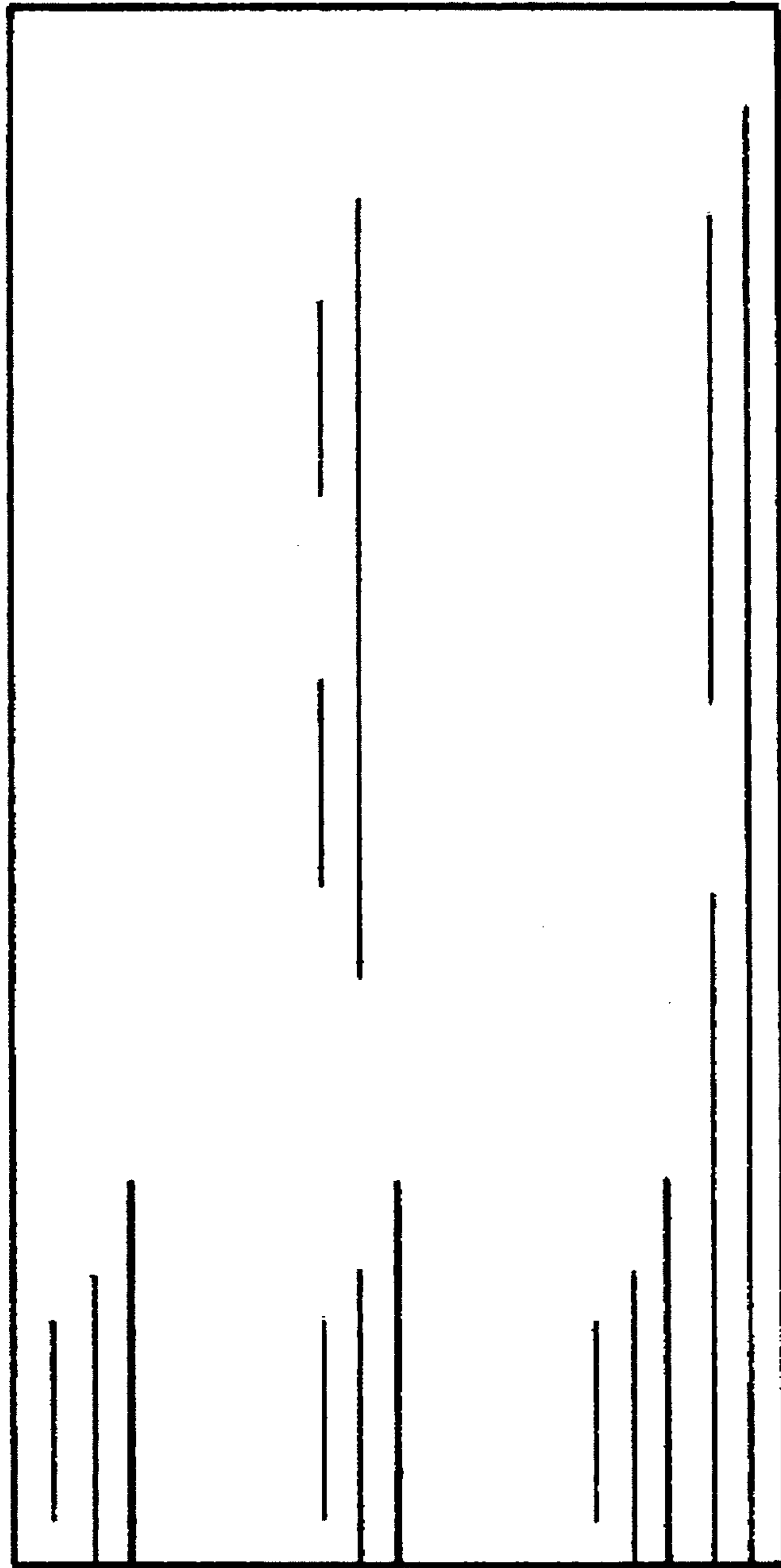


FIG.3

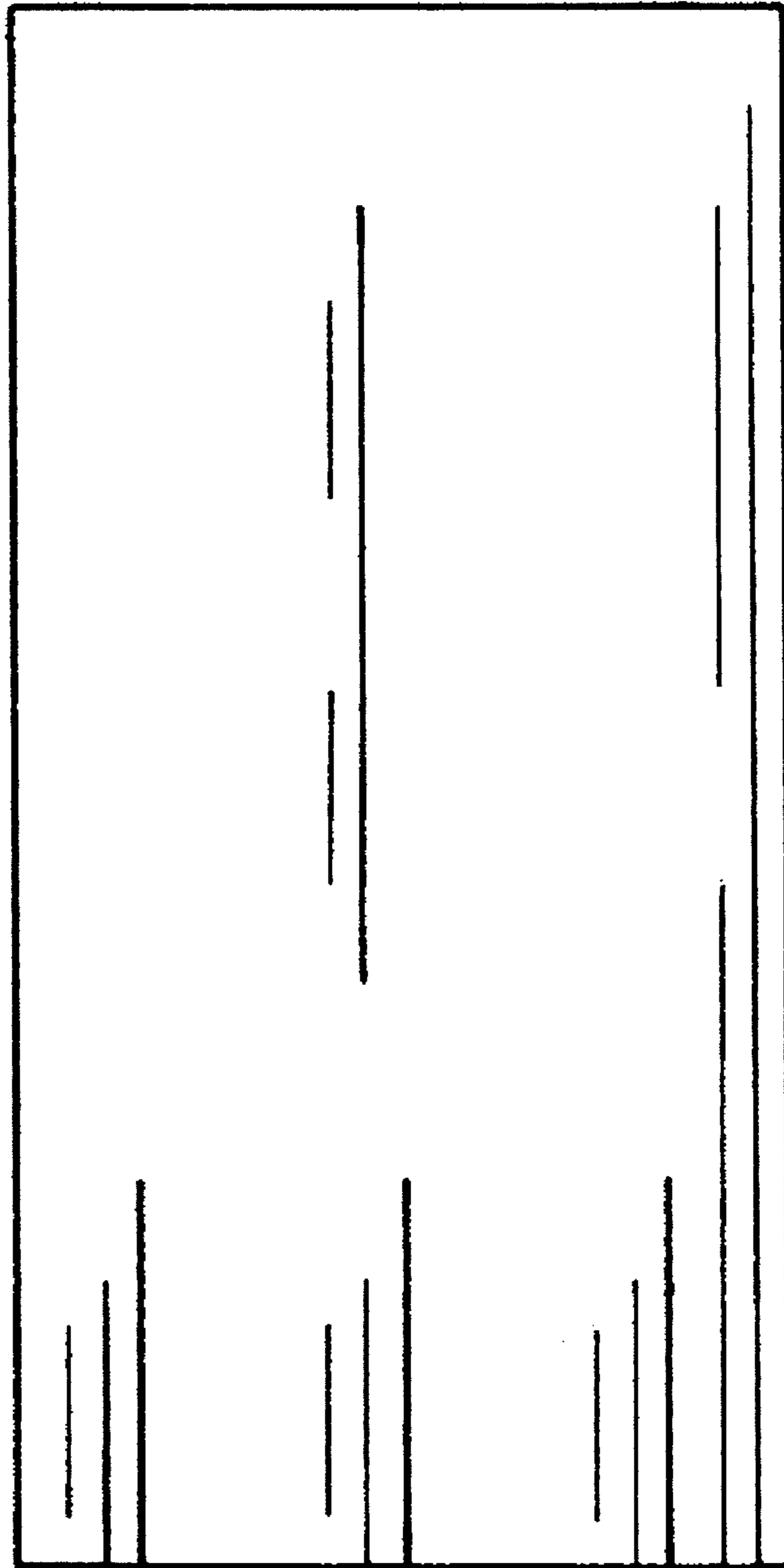


FIG.4

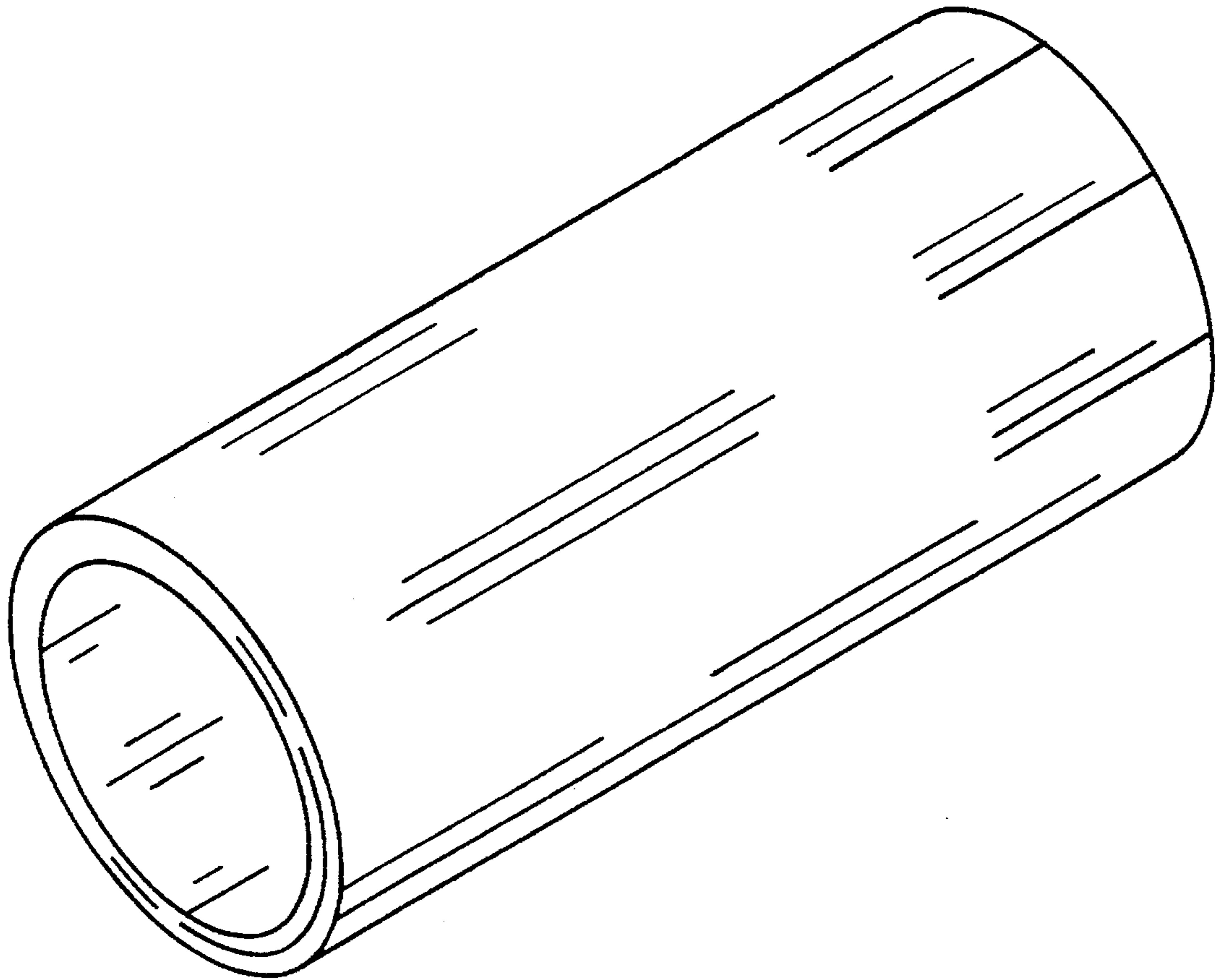


FIG. 5

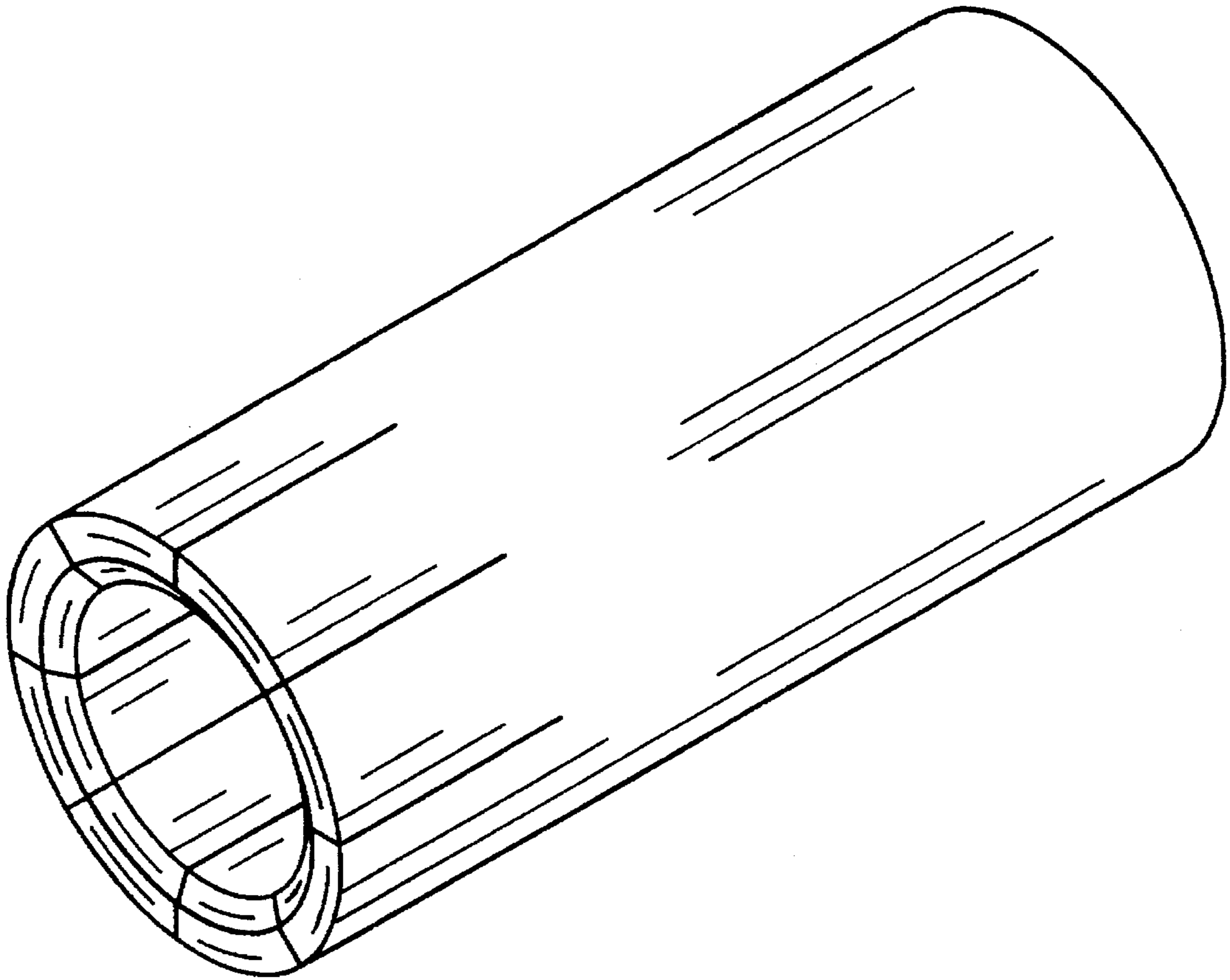


FIG. 6