



US00D365864S

# United States Patent [19]

[11] Patent Number: **Des. 365,864**

**Sturm**

[45] Date of Patent: **\*\*Jan. 2, 1996**

## [54] GOLF PUTTER HEAD

## OTHER PUBLICATIONS

[76] Inventor: **Ernst F. Sturm**, 9612 Magnolia Drive,  
Hillsboro, Mo. 63050

Golf Day; Summer 91; p. 26; #3 putter, bottom left of page.

[\*\*] Term: **14 Years**

*Primary Examiner*—Ted Shooman  
*Assistant Examiner*—Mitchell I. Siegel  
*Attorney, Agent, or Firm*—Henry W. Cummings

[21] Appl. No.: **32,929**

[22] Filed: **Jan. 3, 1995**

## [57] CLAIM

### Related U.S. Application Data

The ornamental design for a golf putter head, as shown and described.

[63] Continuation-in-part of Ser. No. 16,203, Dec. 10, 1993.

[52] U.S. Cl. .... **D21/219**

[58] Field of Search ..... D21/217-219;  
273/167-175

## DESCRIPTION

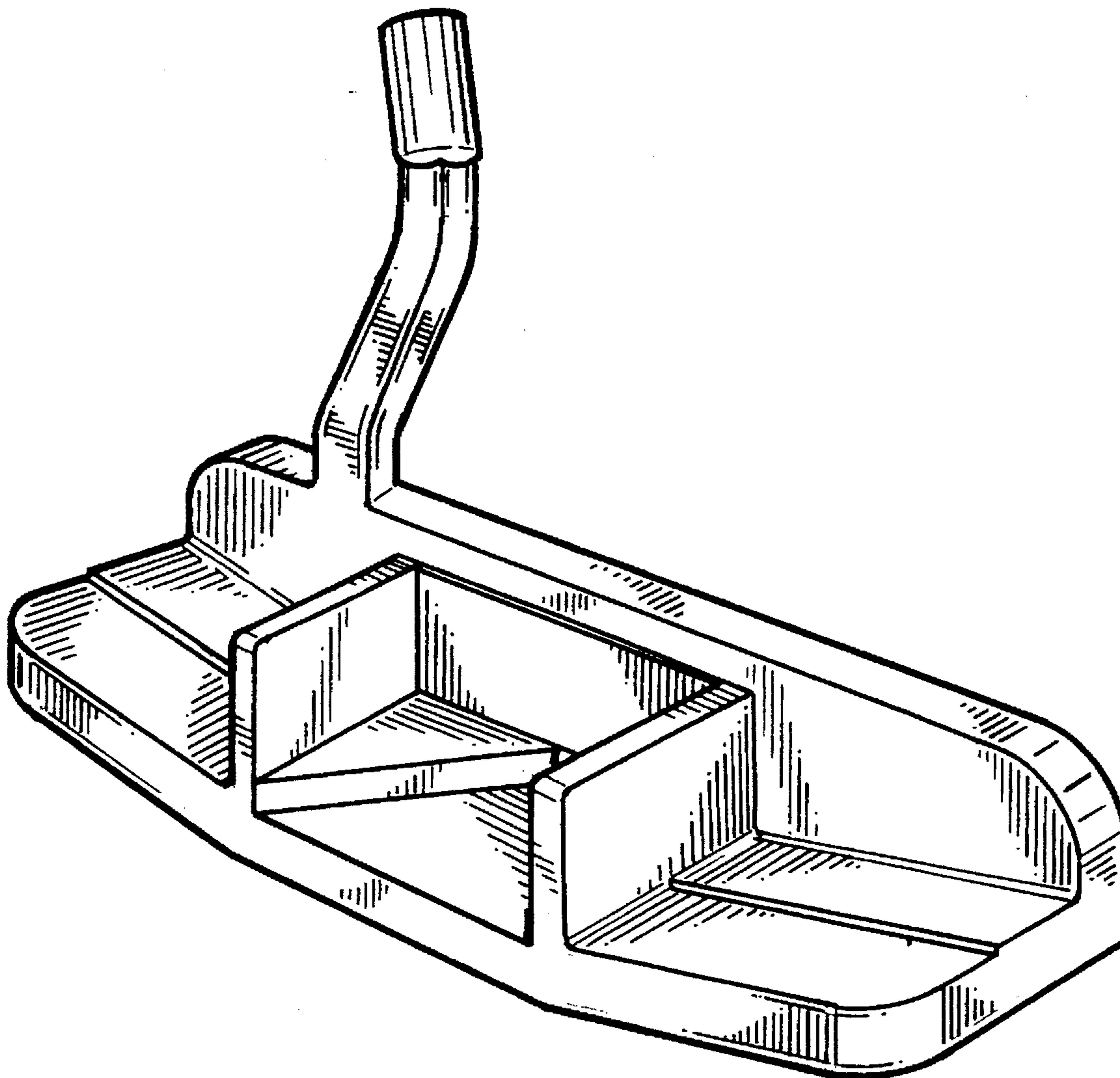
FIG. 1 is a front perspective view of a golf putter head showing my new design;  
FIG. 2 is a bottom perspective view thereof;  
FIG. 3 is a top plan view thereof;  
FIG. 4 is a left side elevational view thereof; and,  
FIG. 5 is a front elevational view thereof.

## [56] References Cited

### U.S. PATENT DOCUMENTS

D. 318,089 7/1991 Antonious ..... D21/219  
D. 342,558 12/1993 Diesterleft ..... D21/219

**1 Claim, 2 Drawing Sheets**



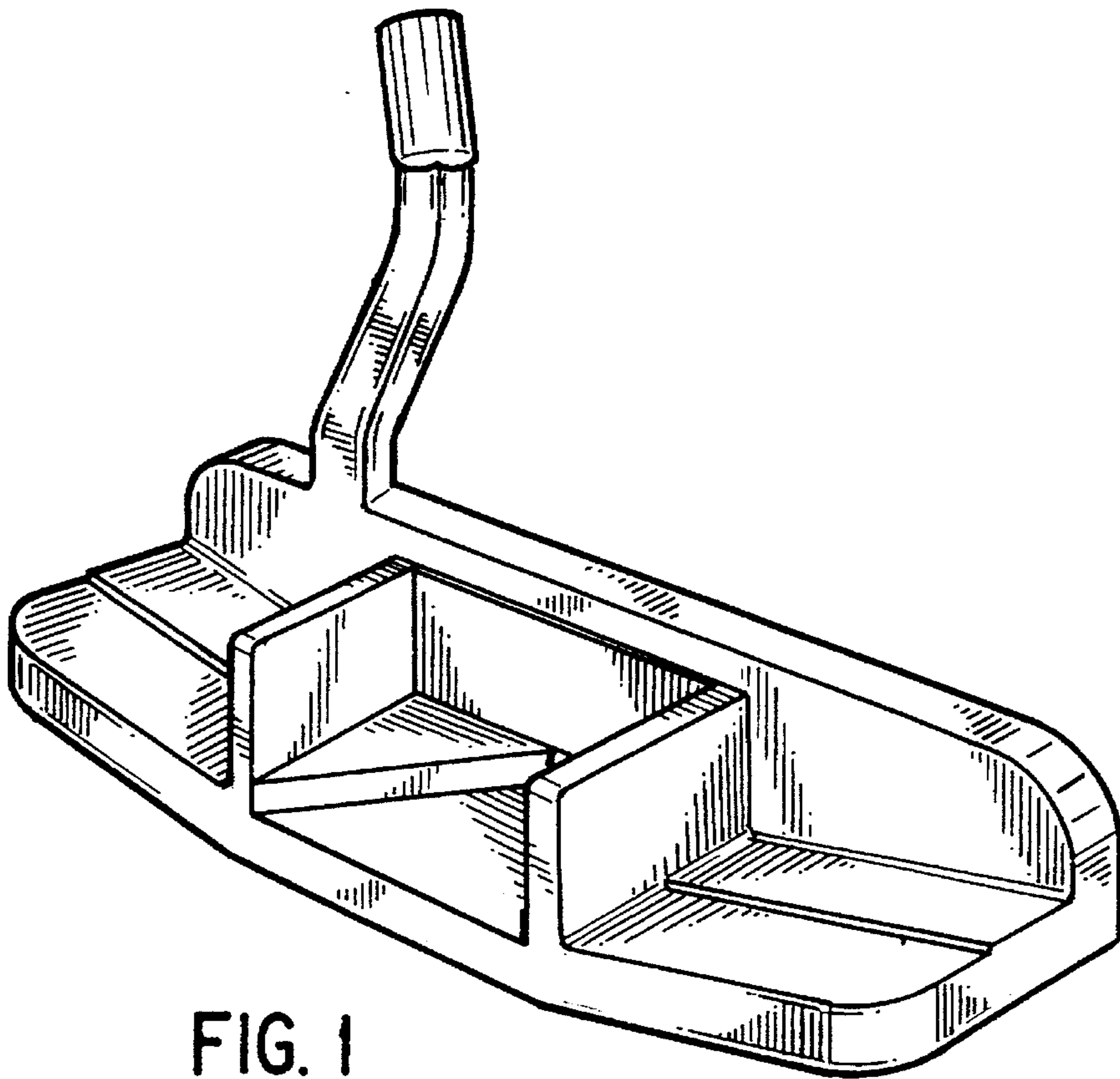


FIG. 1

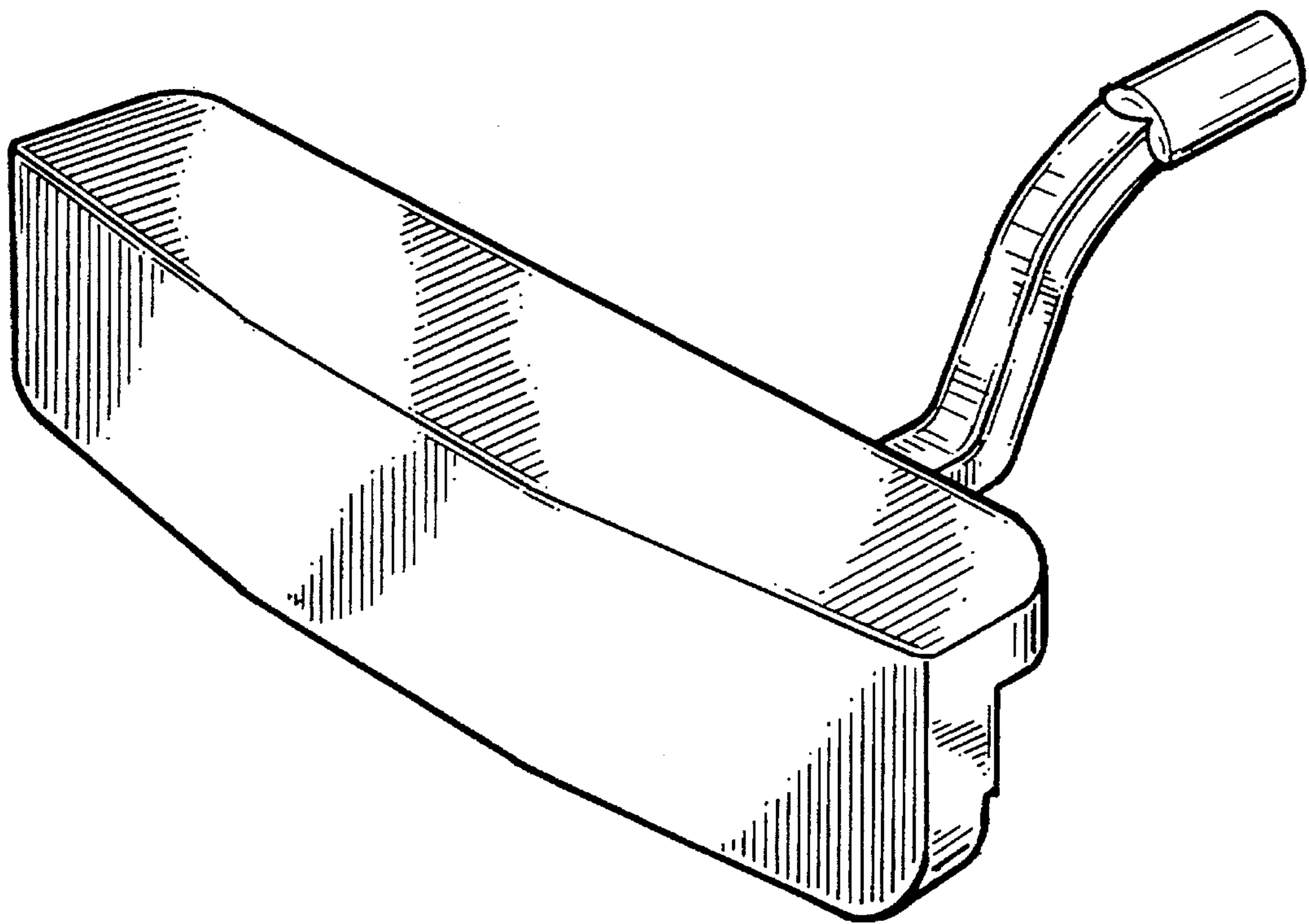


FIG. 2

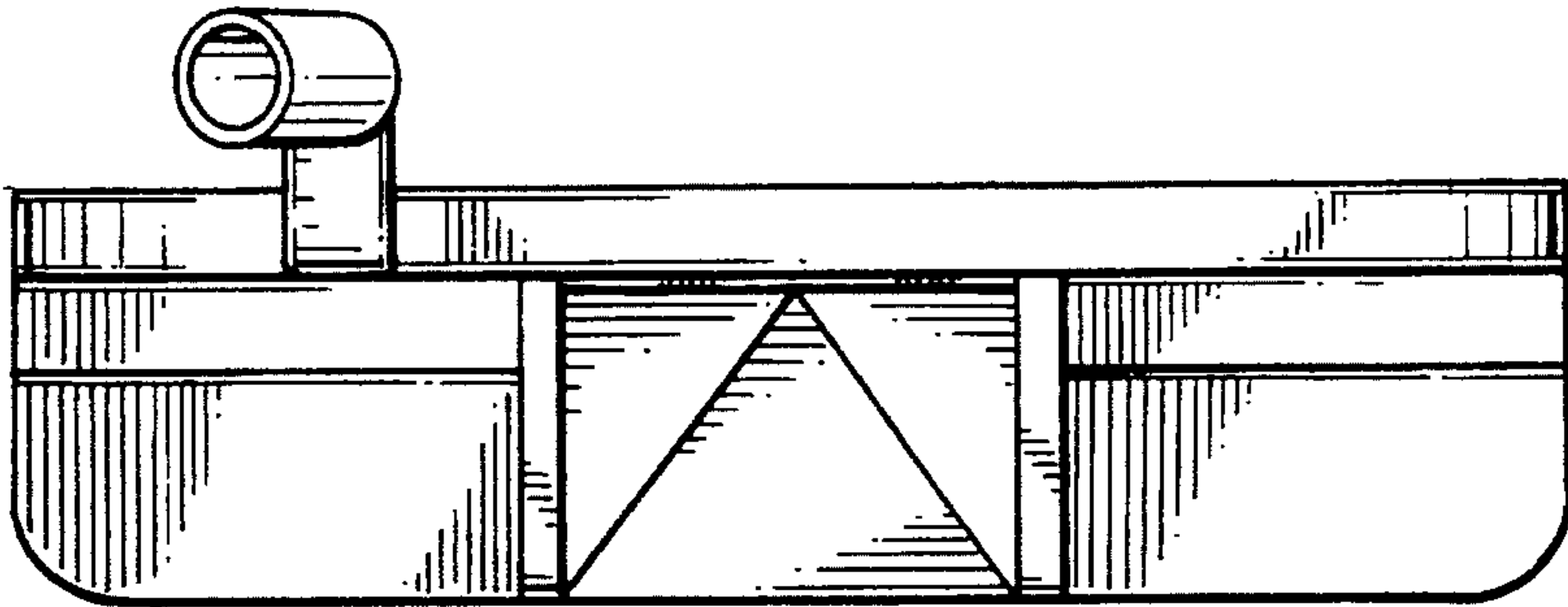


FIG. 3

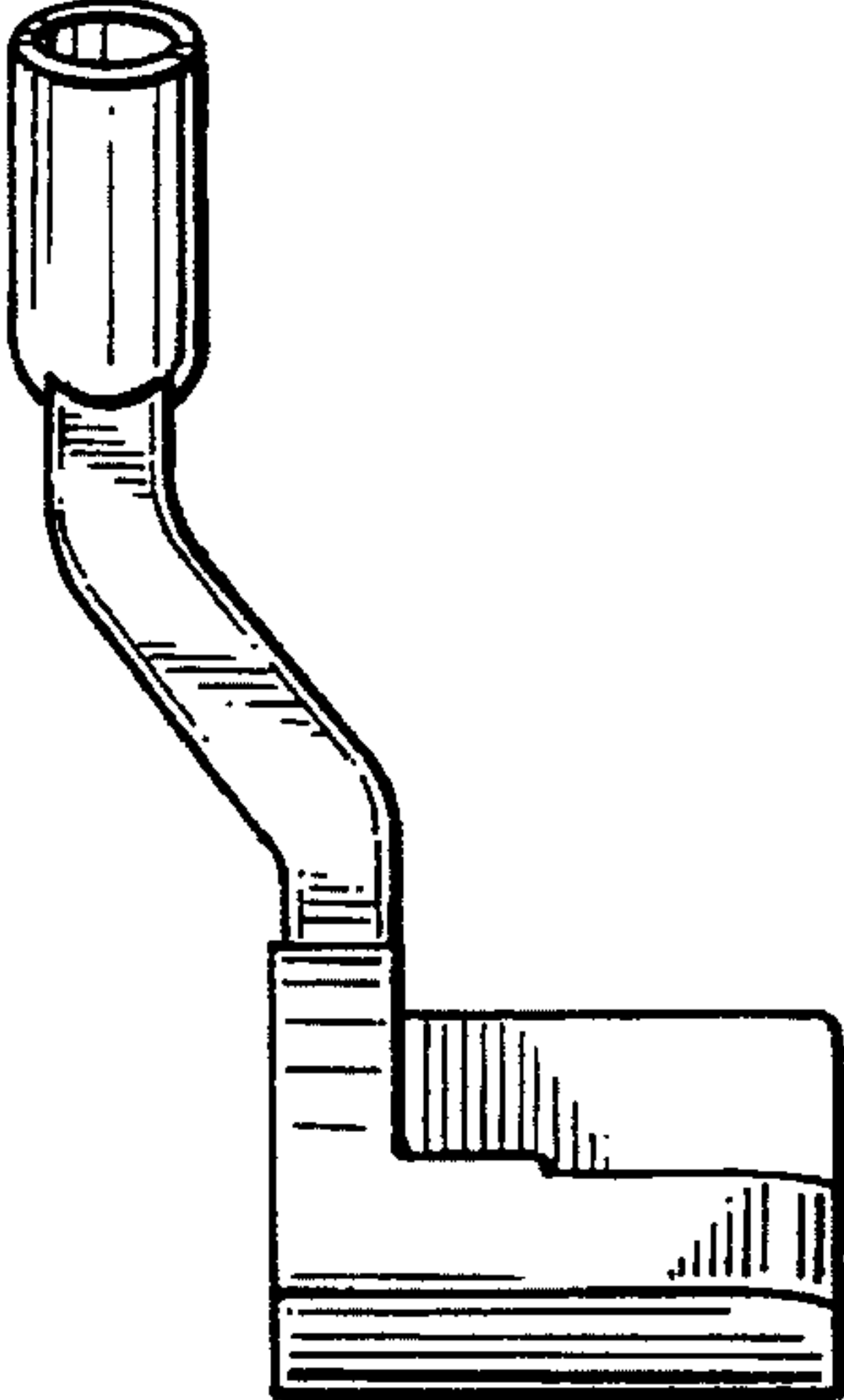


FIG. 4

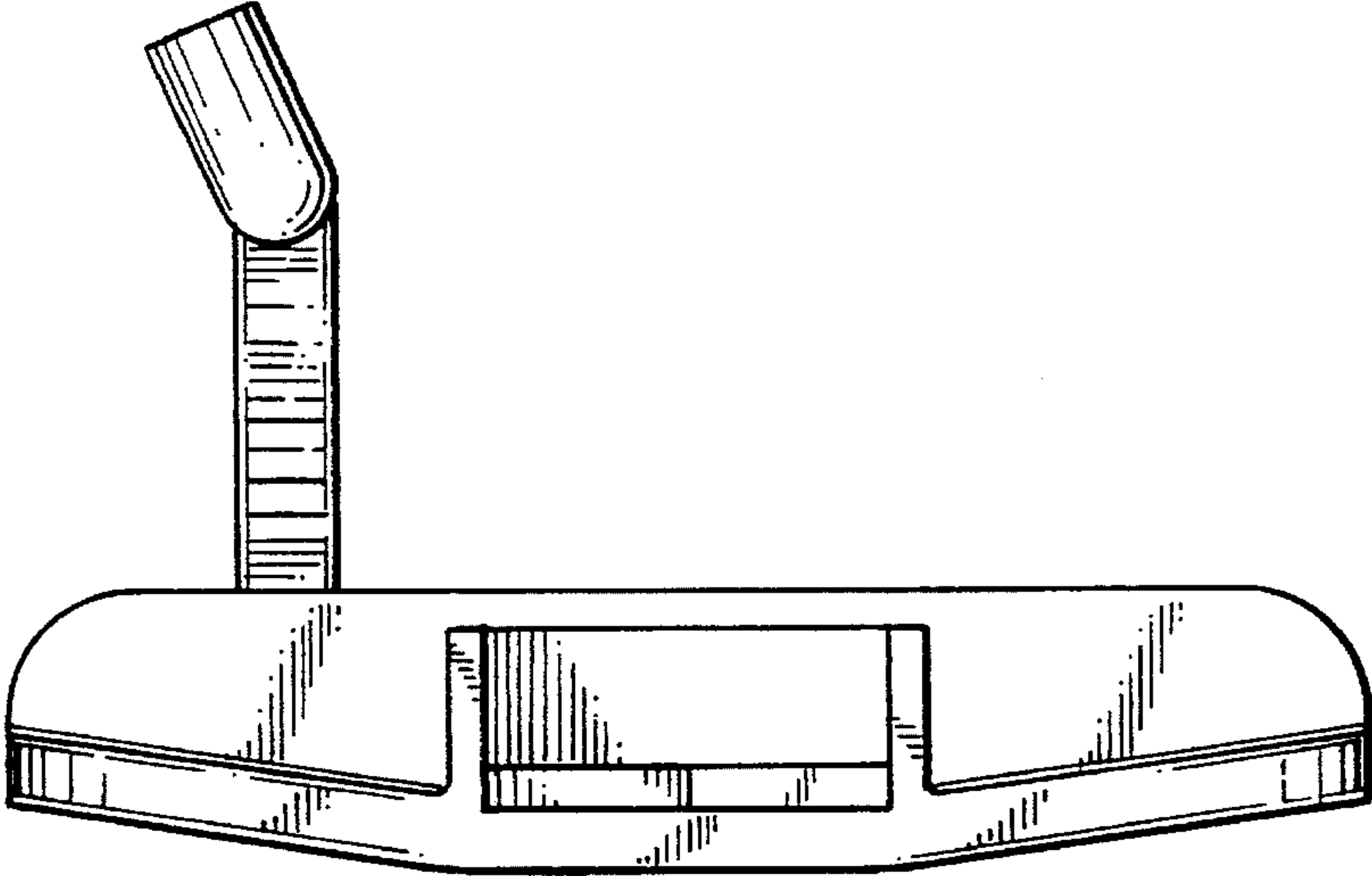


FIG. 5