



US00D365858S

# United States Patent [19]

[11] Patent Number: **Des. 365,858**

Tomita

[45] Date of Patent: **\*\*Jan. 2, 1996**

[54] **SIGHT SCOPE**

D. 349,510	8/1994	Tomita .	
2,685,814	8/1954	Sloan .....	33/245 X
4,291,479	9/1981	Lough .....	42/103

[75] Inventor: **Saburo Tomita**, Fujimi, Japan

[73] Assignee: **Asia Optical Co., Ltd.**, Tokyo, Japan

[\*\*] Term: **14 Years**

### FOREIGN PATENT DOCUMENTS

598306	2/1948	United Kingdom .....	33/246
2006485	4/1992	WIPO .....	250/214 VT

[21] Appl. No.: **32,781**

*Primary Examiner*—Louis S. Zarfes  
*Assistant Examiner*—Monica A. Hannon  
*Attorney, Agent, or Firm*—Evenson McKeown Edwards & Lenahan

[22] Filed: **Dec. 28, 1994**

### [30] Foreign Application Priority Data

Jul. 14, 1994 [JP] Japan ..... 6-21039

[52] U.S. Cl. .... **D22/109**; D16/132

[58] Field of Search ..... D22/104, 107,  
D22/108, 109; 42/100, 101, 103; 33/245,  
246; 362/110, 111, 112, 113, 114; D16/130-136;  
250/214 VT, 330; 356/247, 249; 359/399,  
427, 429

### [57] CLAIM

The ornamental design for a sight scope, as shown and described.

### [56] References Cited

#### U.S. PATENT DOCUMENTS

D. 235,339	6/1975	Edstrom .....	D22/109
D. 312,089	11/1990	Jörlöv .....	D16/132
D. 346,392	4/1994	Tomita .	
D. 347,018	5/1994	Jehn .....	D16/132

### DESCRIPTION

FIG. 1 is a top view;  
FIG. 2 is a front view;  
FIG. 3 is a bottom view;  
FIG. 4 is a rear view;  
FIG. 5 is a left side view;  
FIG. 6 is a right side view; and,  
FIG. 7 is a perspective view.

**1 Claim, 4 Drawing Sheets**

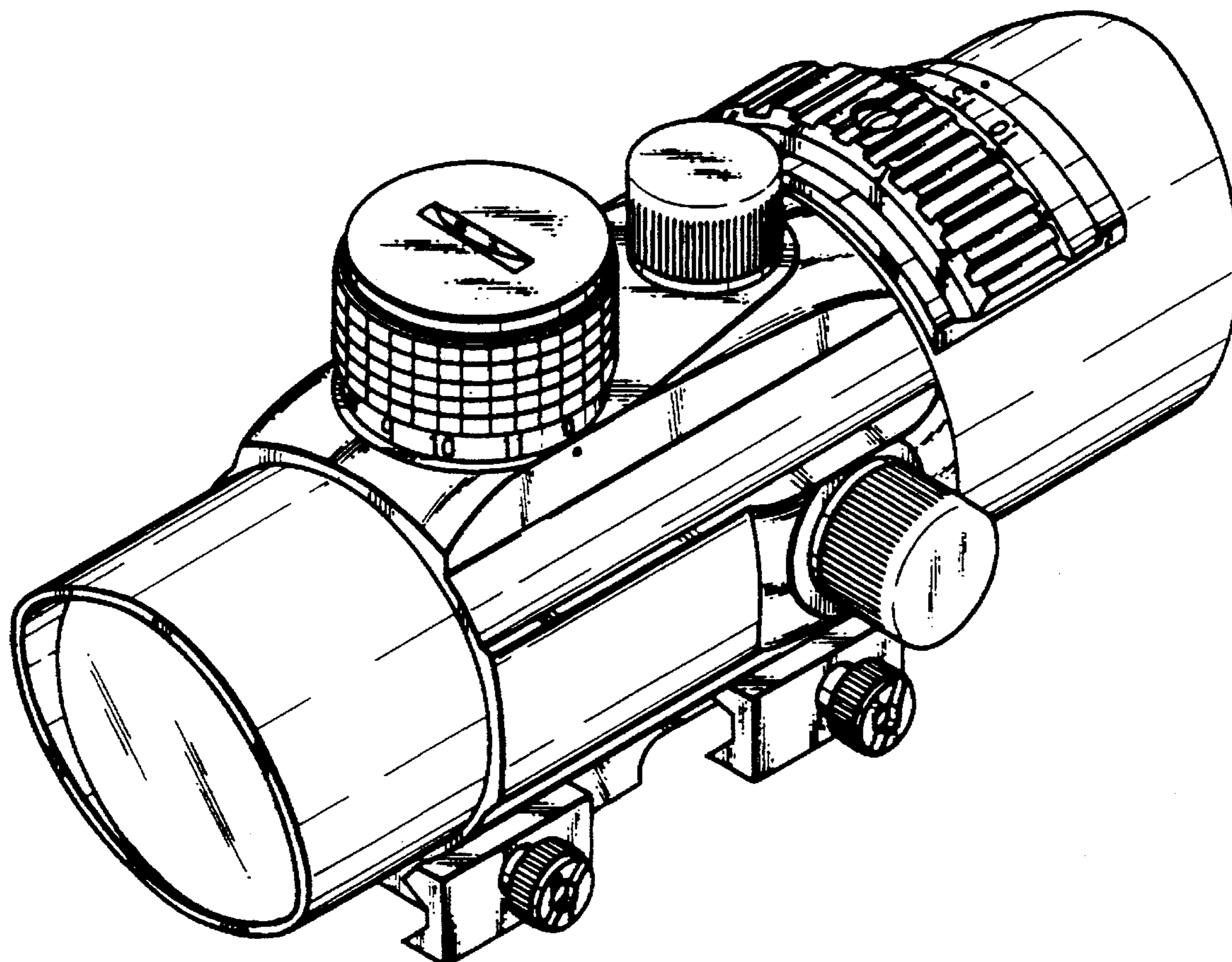


Fig. 1

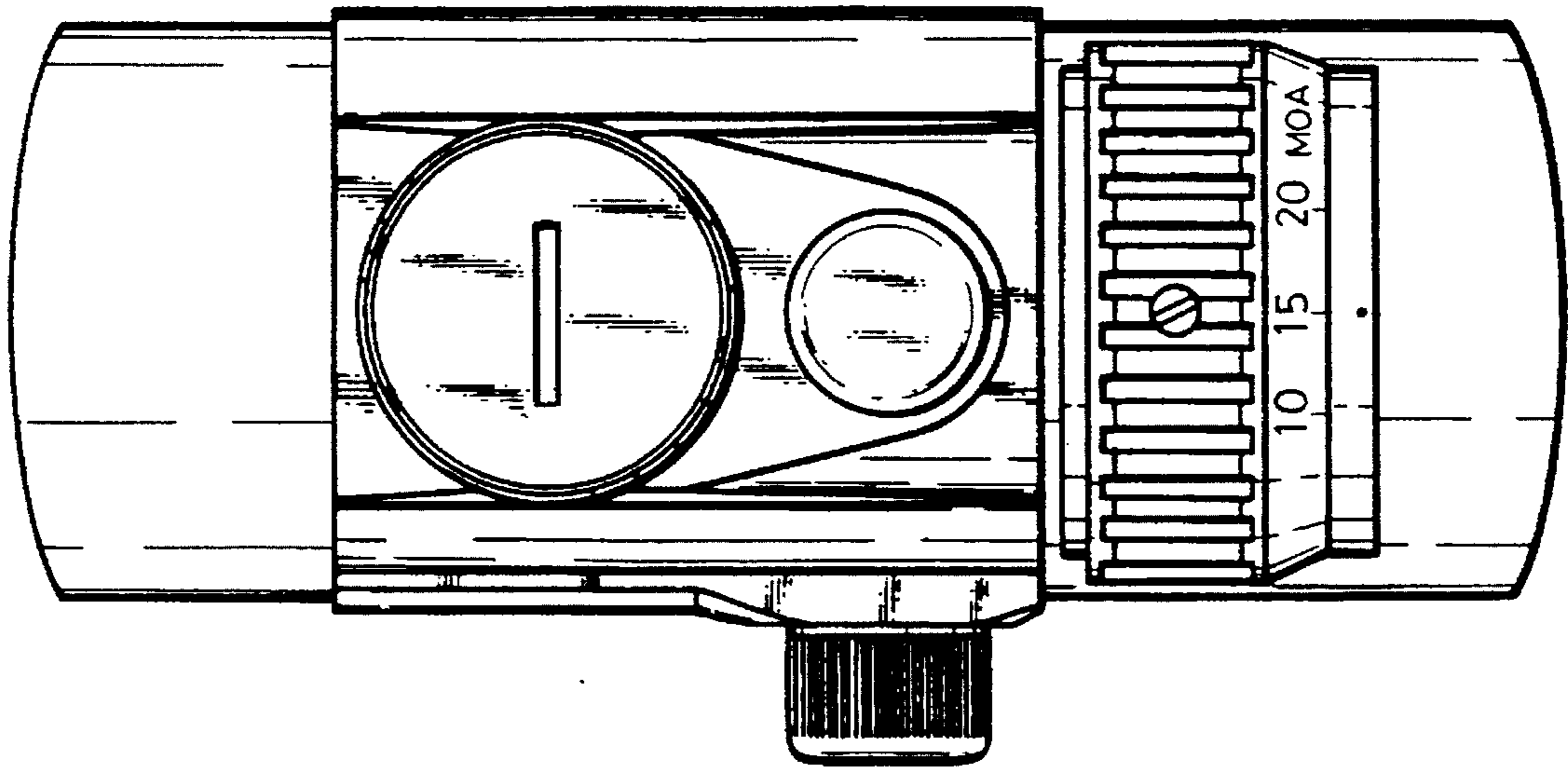


Fig. 2

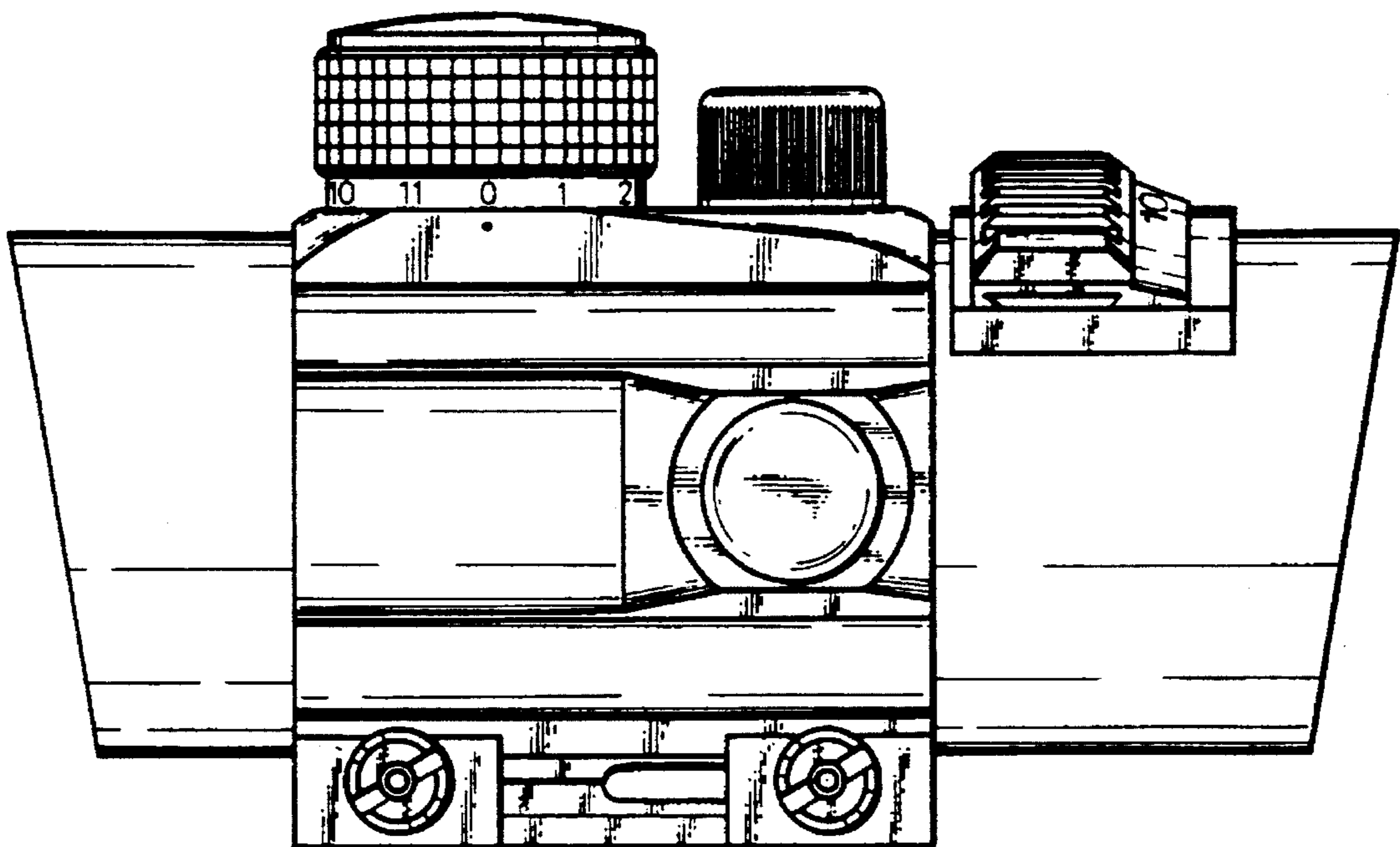


Fig. 3

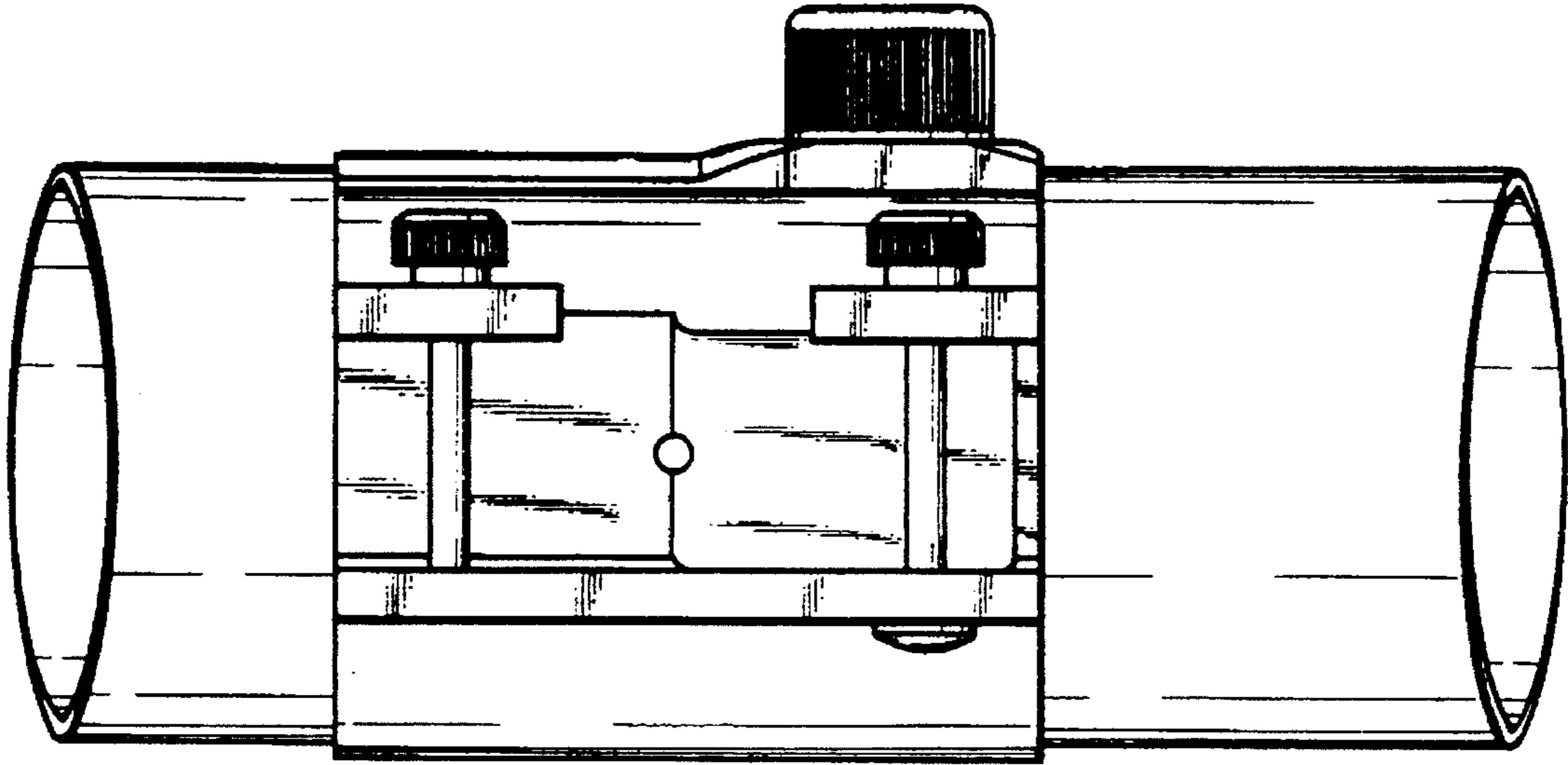


Fig. 4

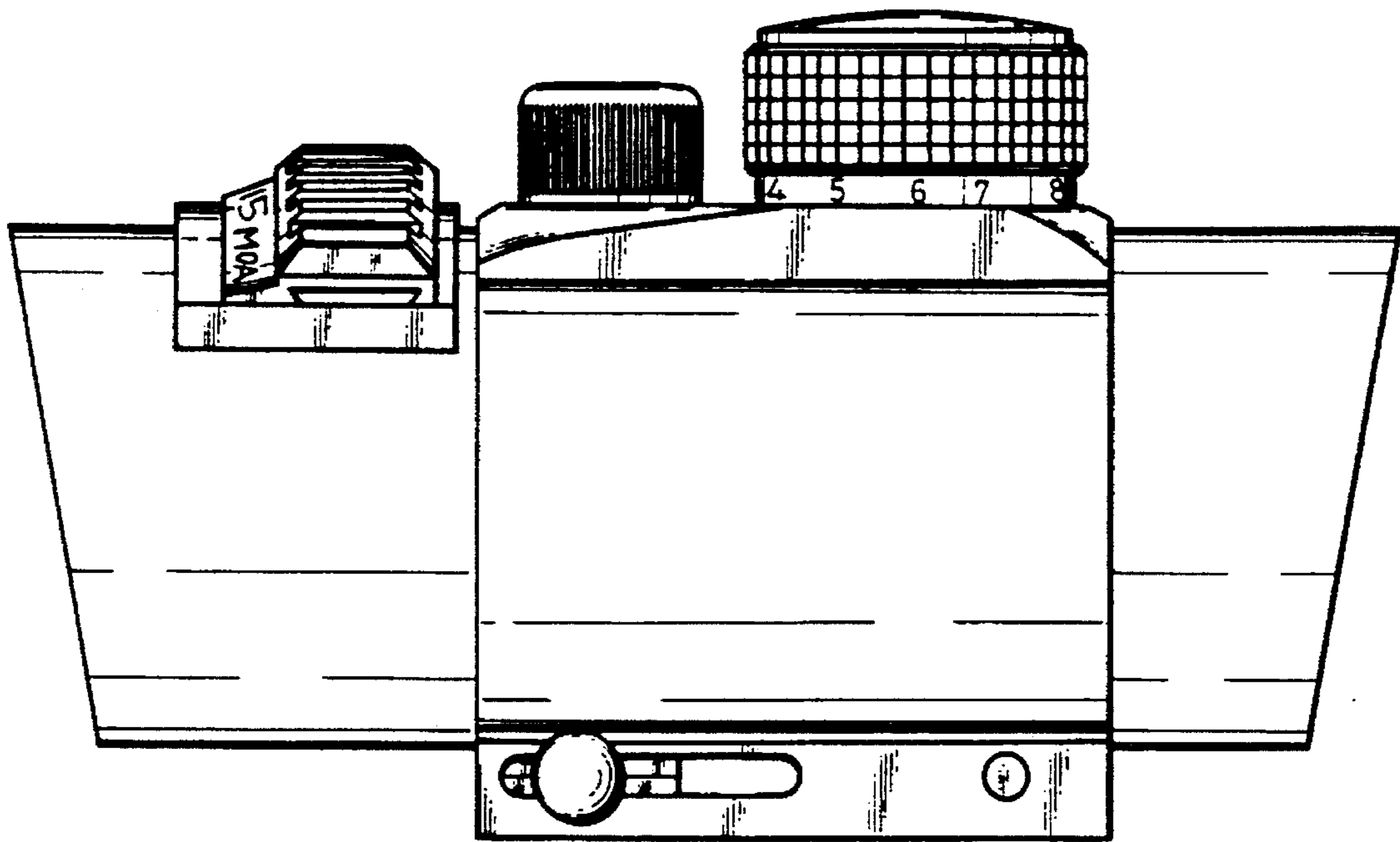


Fig. 5

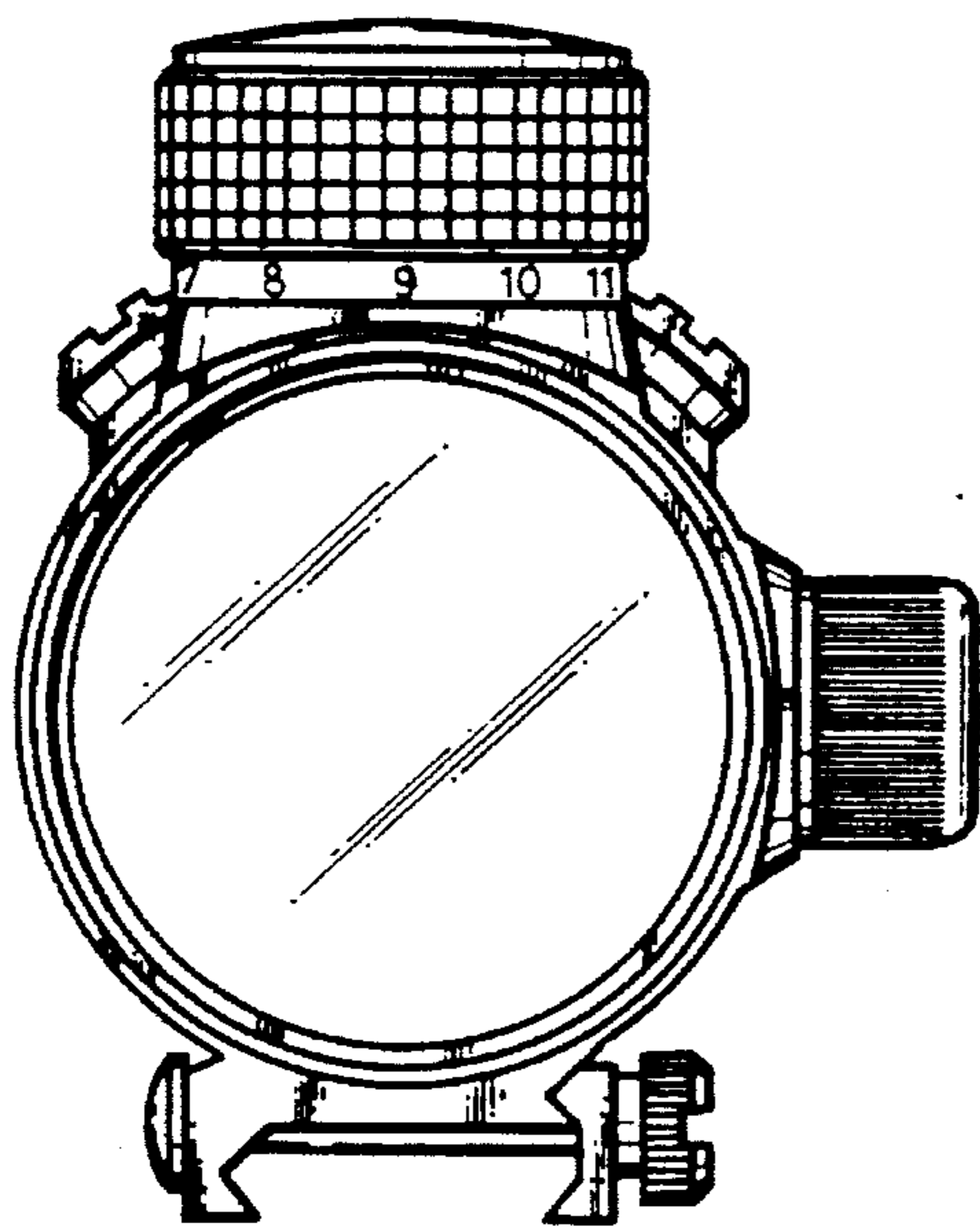


Fig. 6

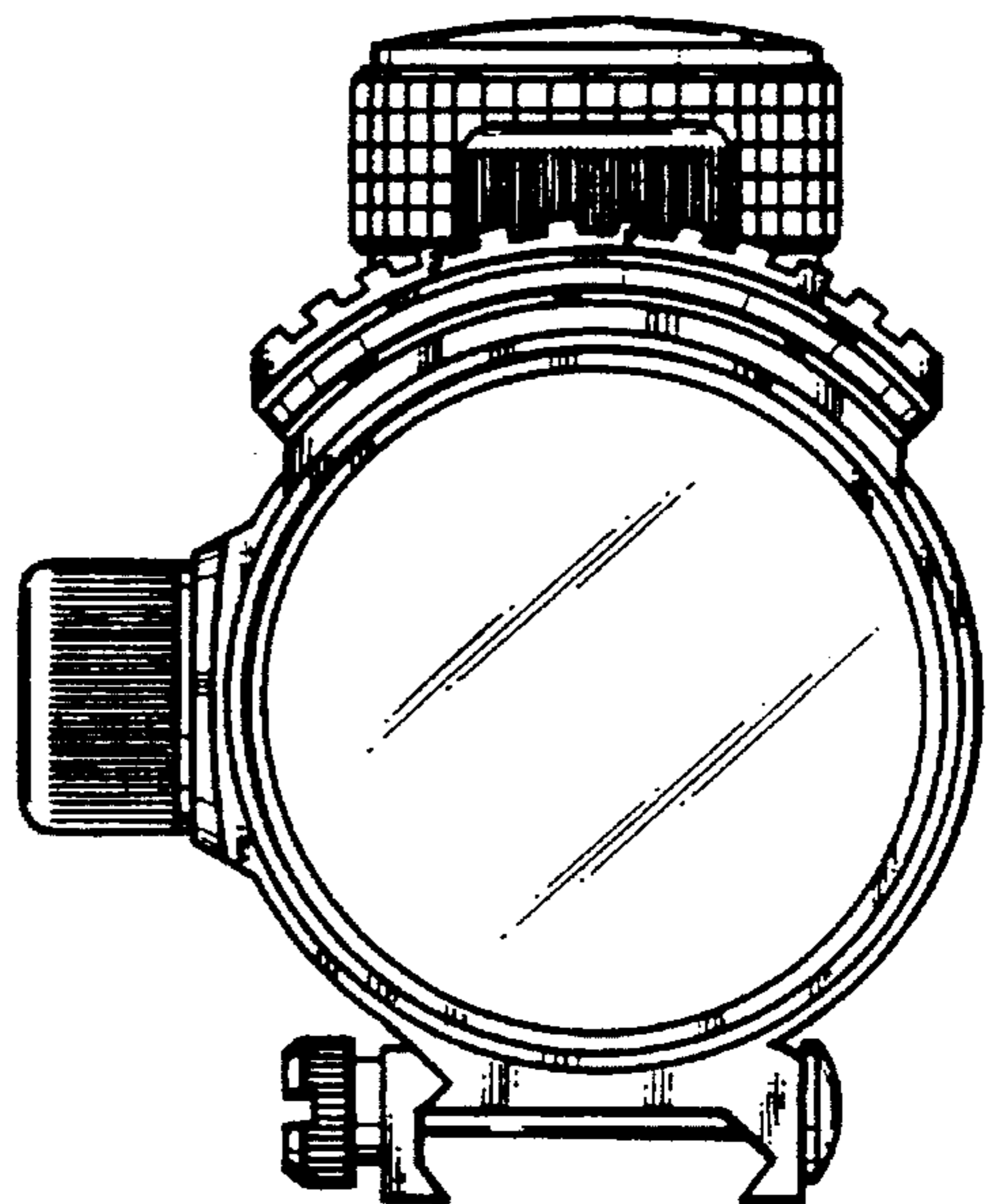




Fig. 7

