



US00D365857S

United States Patent [19] Lyman

[11] Patent Number: **Des. 365,857**
[45] Date of Patent: ****Jan. 2, 1996**

[54] TOY CONSTRUCTION BLOCK

4,789,369 12/1988 Lyman 446/101
5,022,885 6/1991 Lyman 446/95

[75] Inventor: **Ronald L. Lyman**, Folsom, Calif.

FOREIGN PATENT DOCUMENTS

[73] Assignee: **Dart Industries Inc.**, Deerfield, Ill.

1144481 10/1957 France 20/1
1149918 1/1958 France 20/1
1311992 12/1962 France .
2429491 1/1975 Germany .
2637136 3/1977 Germany .
2446475 5/1978 Germany A63H 33/08
3502146A 8/1985 Germany A63H 3/16
3900816A1 7/1990 Germany A63H 33/08
459452 2/1937 United Kingdom .
100283 2/1937 United Kingdom .
976761 12/1964 United Kingdom .
1008459 10/1965 United Kingdom A63H 33/08

[**] Term: **14 Years**

[21] Appl. No.: **30,220**

[22] Filed: **Oct. 24, 1994**

[52] U.S. Cl. **D21/108**

[58] Field of Search D21/108, 124,
D21/125; 446/85, 107, 124, 126, 127, 128

[56] References Cited

U.S. PATENT DOCUMENTS

171,533 12/1875 Schmetzer .
D. 284,393 6/1986 Kassai D21/108
D. 352,751 11/1994 Hatting D21/108
3,005,282 10/1961 Christiansen 46/25
3,162,973 12/1964 Christiansen 46/25
3,195,266 7/1965 Onanian 46/26
3,205,611 9/1965 Onanian 46/26
3,233,358 2/1966 Dehm 46/25
3,242,610 3/1966 Christiansen 46/26
3,450,572 6/1969 Rietveld D21/108
3,461,601 8/1969 Kristiansen 46/16
3,603,025 9/1971 Heubl 46/25
3,603,026 9/1971 Kishigami 46/26
3,604,145 9/1971 Zimmerman 46/25
3,624,955 12/1971 Matsubayshi et al. 46/25
3,867,784 2/1975 Lange 46/25
3,894,354 7/1975 Crawley 46/25
3,895,456 7/1975 Fabre 46/30
3,975,858 8/1976 Much 46/26
4,080,742 3/1978 Osterried 33/177
4,185,410 1/1980 Kristiansen 46/23
4,214,403 7/1980 Knudsen 46/25
4,270,303 6/1981 Xanthopoulos et al. 46/25
4,522,001 6/1985 Meyer 52/309
4,547,160 10/1985 Labelle 434/195
4,552,541 11/1985 Bolli 446/91
4,606,732 8/1986 Lyman 446/120
4,662,553 5/1987 Grosjean 446/128
4,728,310 3/1988 Valtolina et al. 446/128
4,764,144 8/1988 Lyman 446/128

OTHER PUBLICATIONS

Lego Group, 8849 Technic (visual display), 1986.
Lego Group, Advertisement, 1989.
Lego Group, Lego Catalogue, 1989.
Discovery Toys, Fall & Winter 1990, Cover page & 18-19.
Crosswise 1988.

Primary Examiner—Ted Shooman
Assistant Examiner—R. Barkai
Attorney, Agent, or Firm—Bernhard Kreten

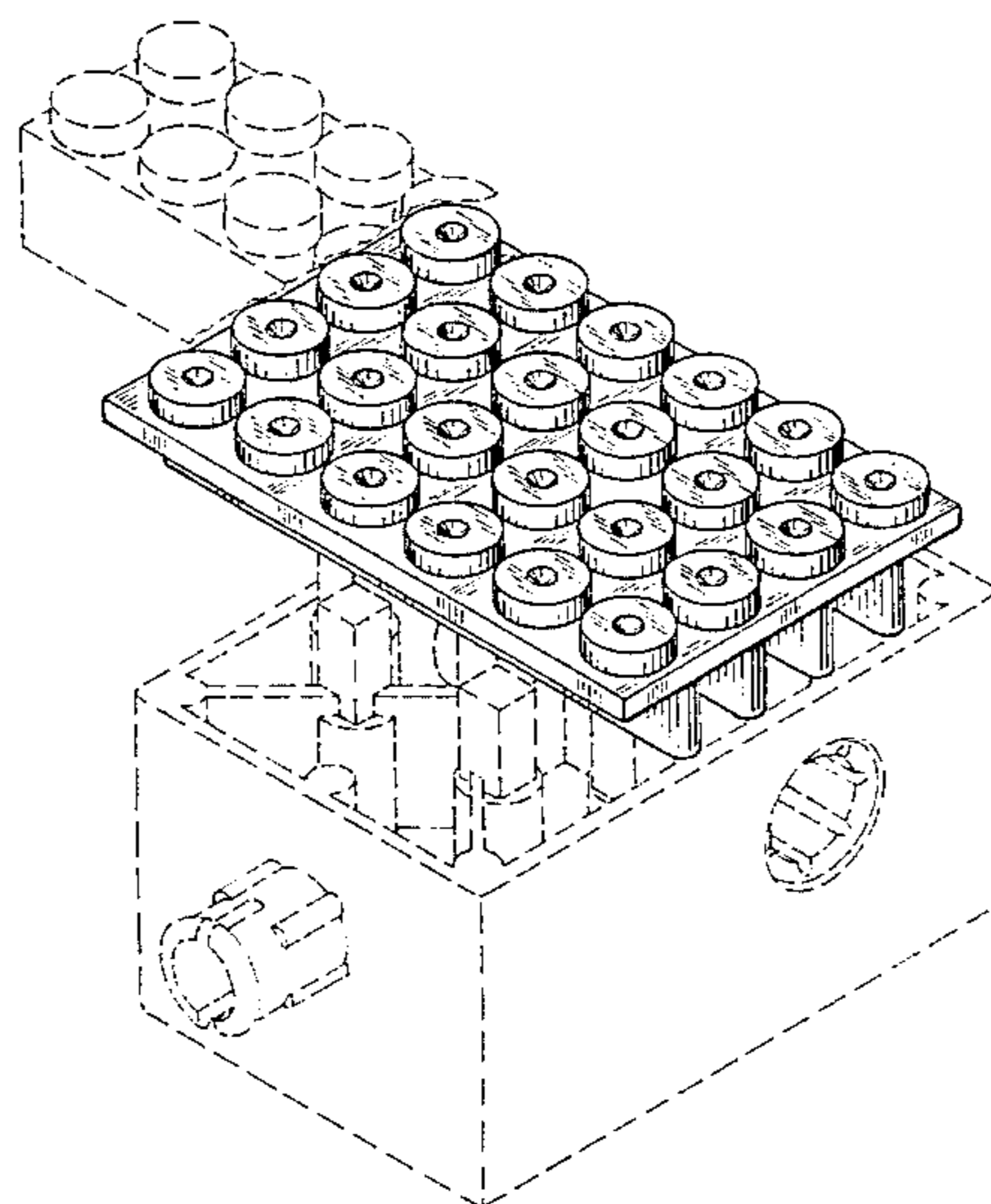
[57] CLAIM

The ornamental design for a toy construction block, as shown and described.

DESCRIPTION

FIG. 1 is an isometric view of a toy construction block showing my new design;
FIG. 2 is a front view thereof;
FIG. 3 is right side view thereof, the left side view being a mirror image thereof;
FIG. 4 is bottom view thereof, the top view being a mirror image thereof; and,
FIG. 5 is a rear view thereof.
The broken-line showing of environmental structure in FIG. 1 is for illustrative purposes only and forms no part of the claimed design.

1 Claim, 2 Drawing Sheets



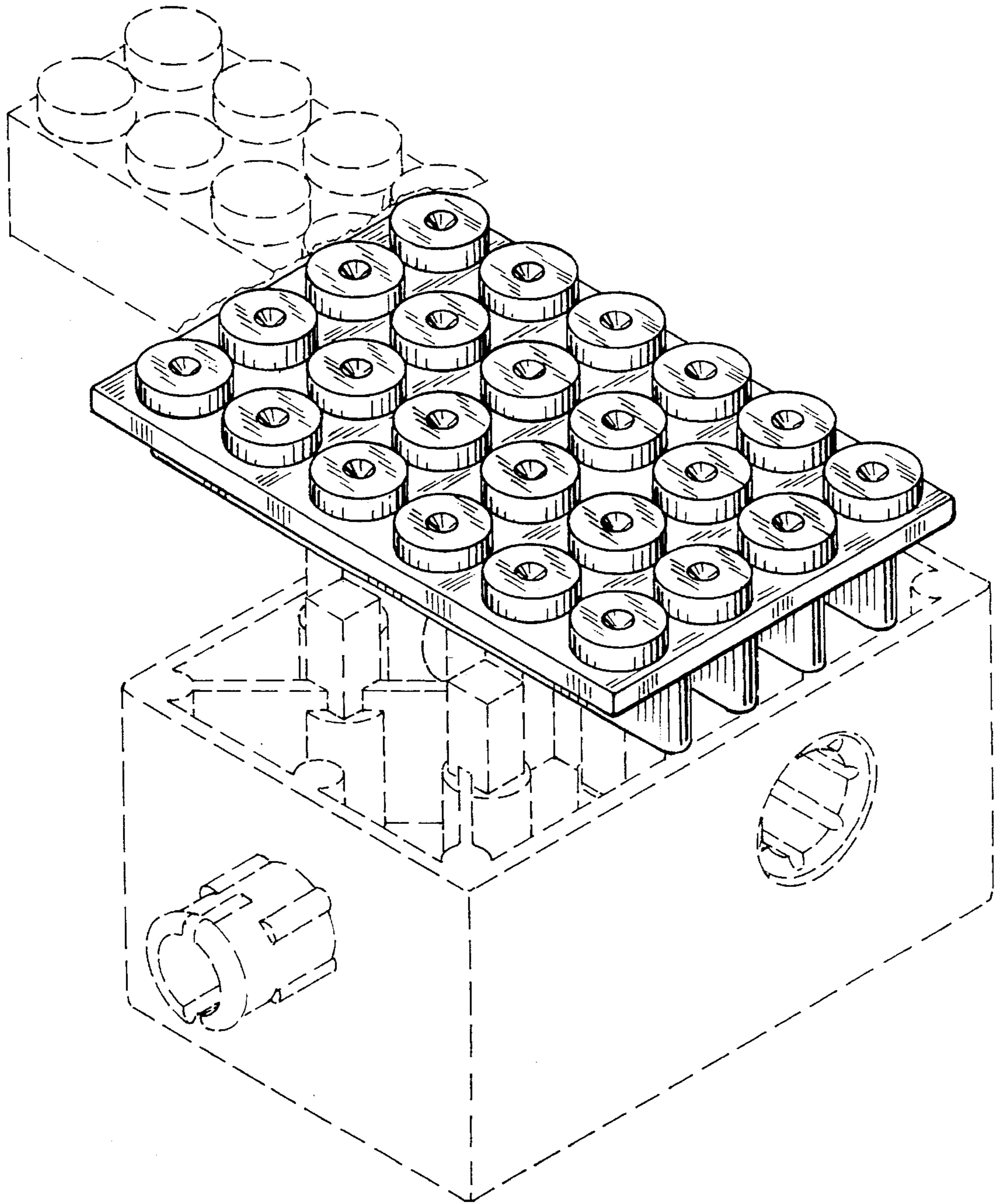


FIG. 1

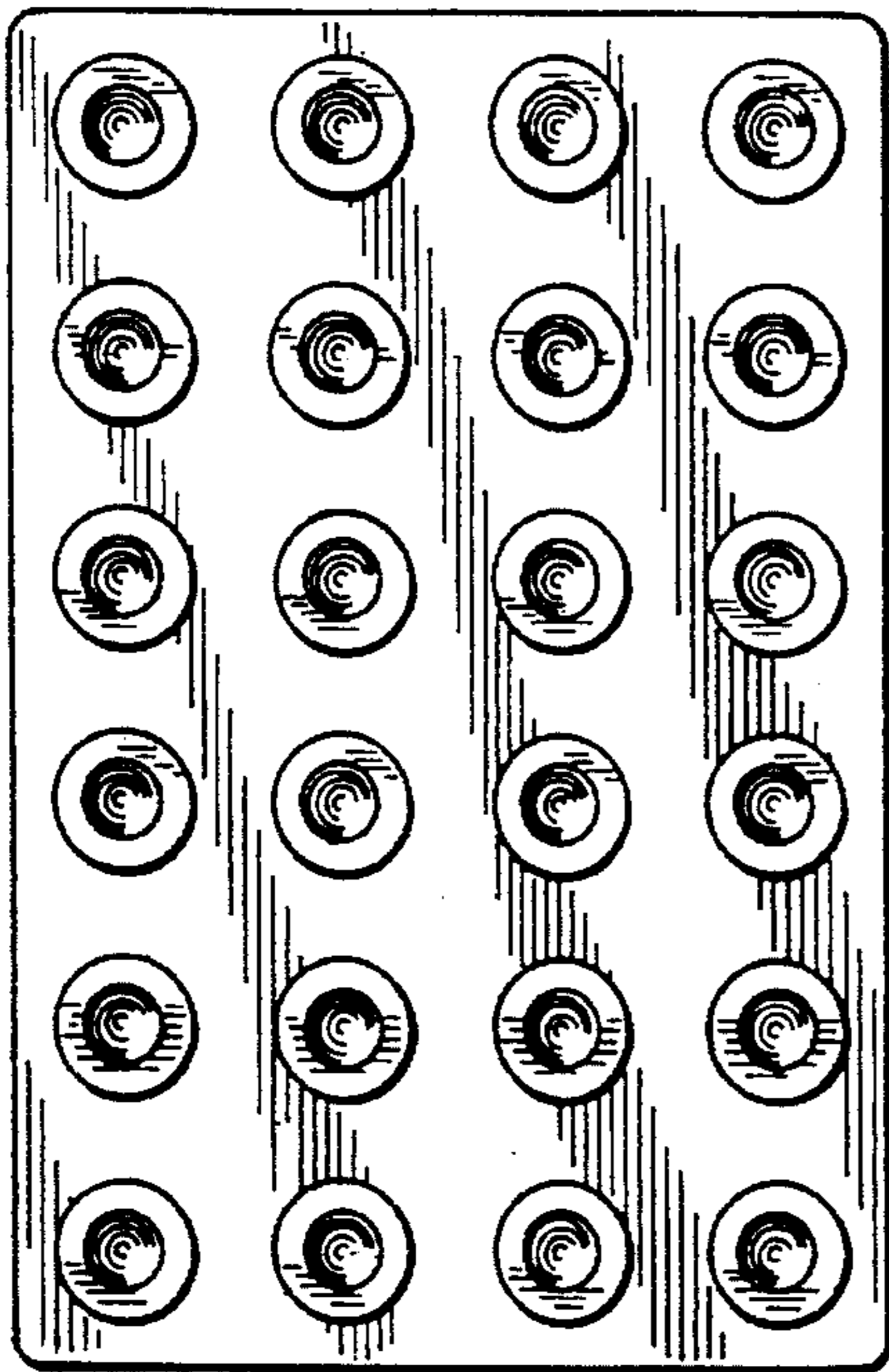


FIG. 2

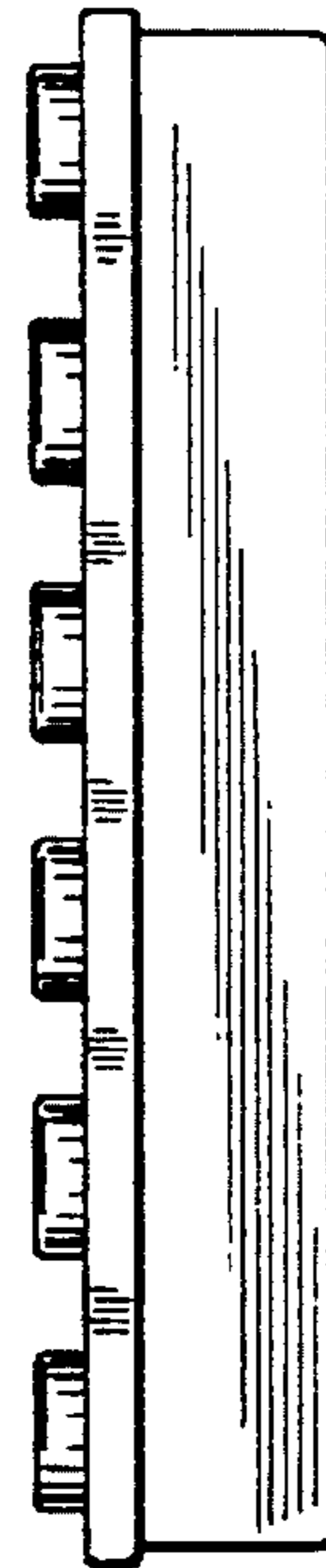


FIG. 3

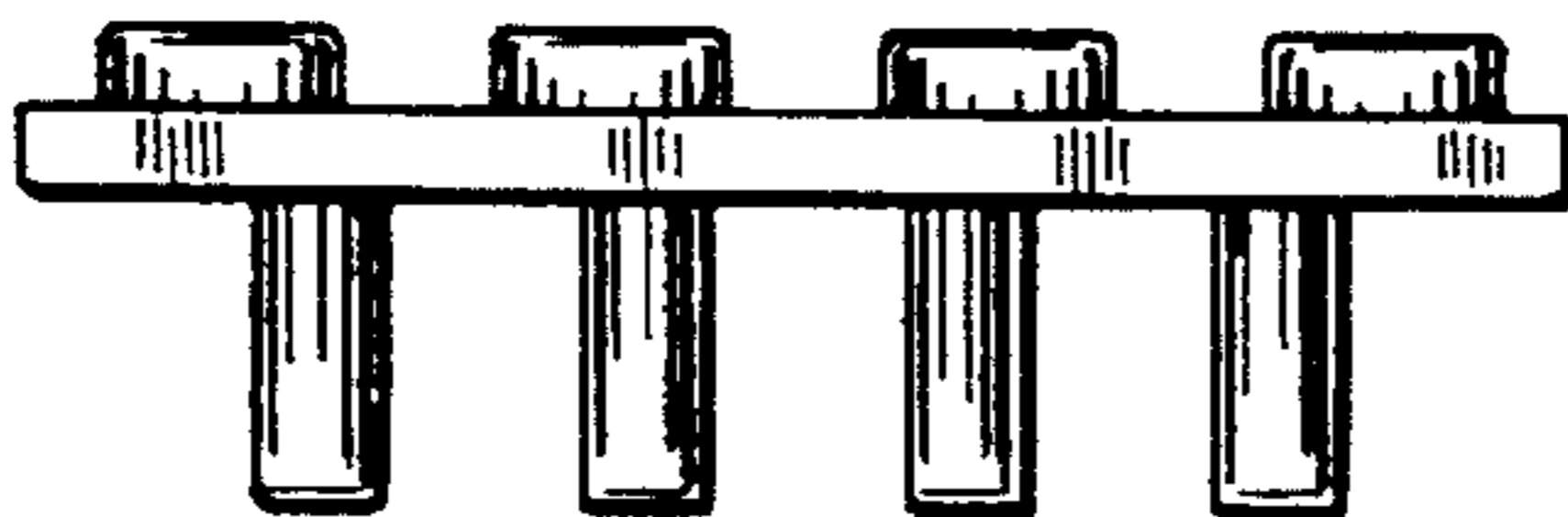


FIG. 4

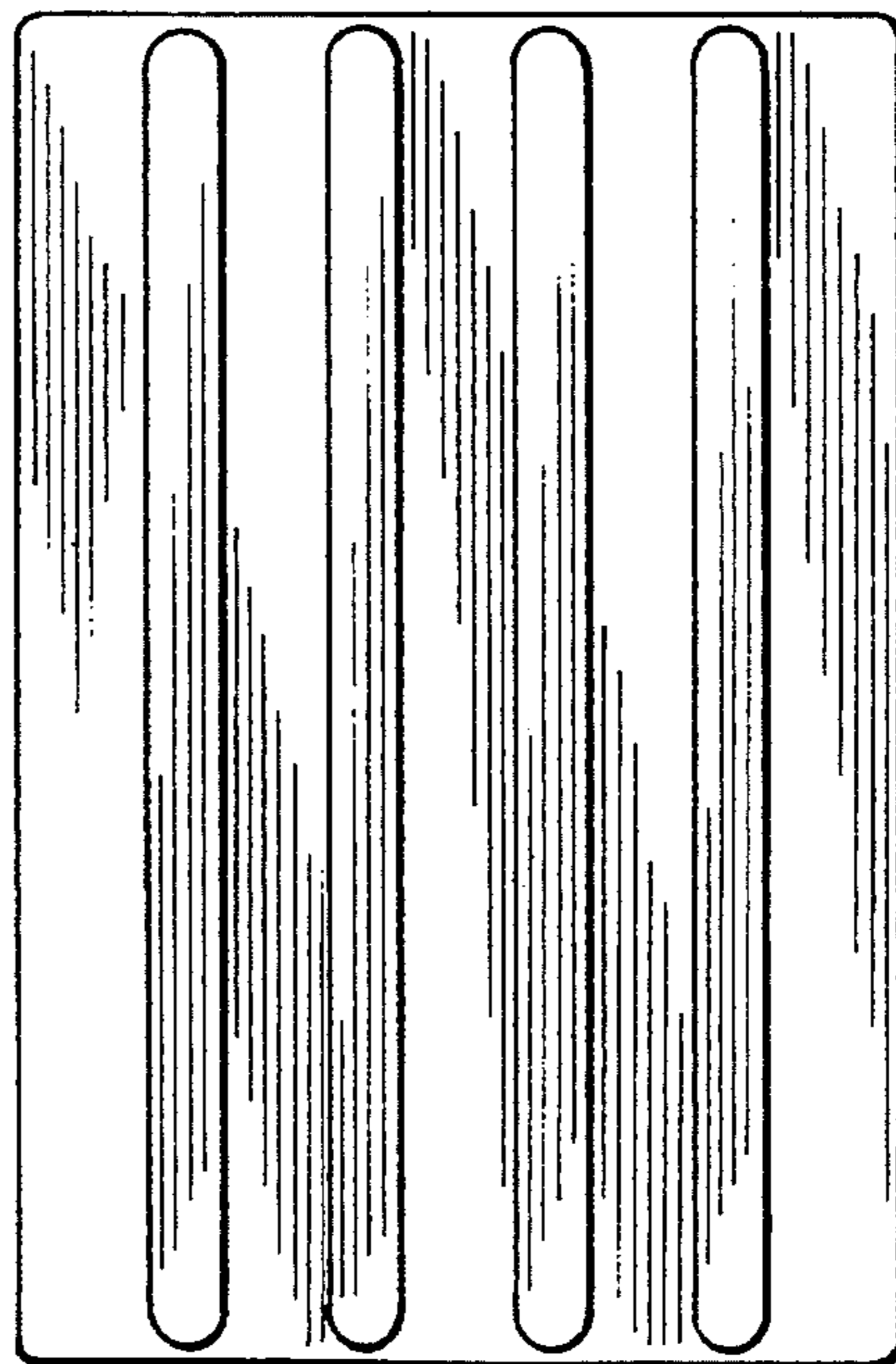


FIG. 5