



US00D365852S

# United States Patent [19]

Parsey et al.

[11] Patent Number: **Des. 365,852**

[45] Date of Patent: **\*\*Jan. 2, 1996**

[54] **TAPE DISPENSER**

[75] Inventors: **Tim Parsey**, Palo Alto, Calif.; **Scott W. Voorhees**, Woodbridge, Va.; **George Ireland**, Devon, United Kingdom

[73] Assignee: **Inventure Development Corporation**, Woodbridge, Va.

[\*\*] Term: **14 Years**

3,586,587 6/1971 Boyce .  
 3,645,831 2/1972 Thaeler .  
 3,707,426 12/1972 Robison .  
 3,843,439 10/1974 Rohlwing .  
 3,895,059 7/1975 Link .  
 4,400,231 8/1983 Martin .  
 4,780,172 10/1988 Shea .  
 5,171,397 12/1992 Arnold .

*Primary Examiner*—Martie Thompson  
*Attorney, Agent, or Firm*—Nixon & Vanderhye

[21] Appl. No.: **27,938**

[22] Filed: **Sep. 1, 1994**

[52] U.S. Cl. .... **D19/69**; D19/67

[58] **Field of Search** ..... D19/35, 36, 65, D19/67, 68, 69, 72, 95, 99, 100; D10/72; 225/6, 7, 19, 25, 34, 45, 56, 65, 66, 77, 89; 156/510, 523, 526, 527

### [57] CLAIM

The ornamental design for a tape dispenser, as shown and described.

### DESCRIPTION

FIG. 1 is a right side elevational view of a tape dispenser showing our new design, with the left side elevational view being a mirror image;

FIG. 2 is a front elevational view;

FIG. 3 is a rear elevational view;

FIG. 4 is a top plan view;

FIG. 5 is a bottom plan view; and,

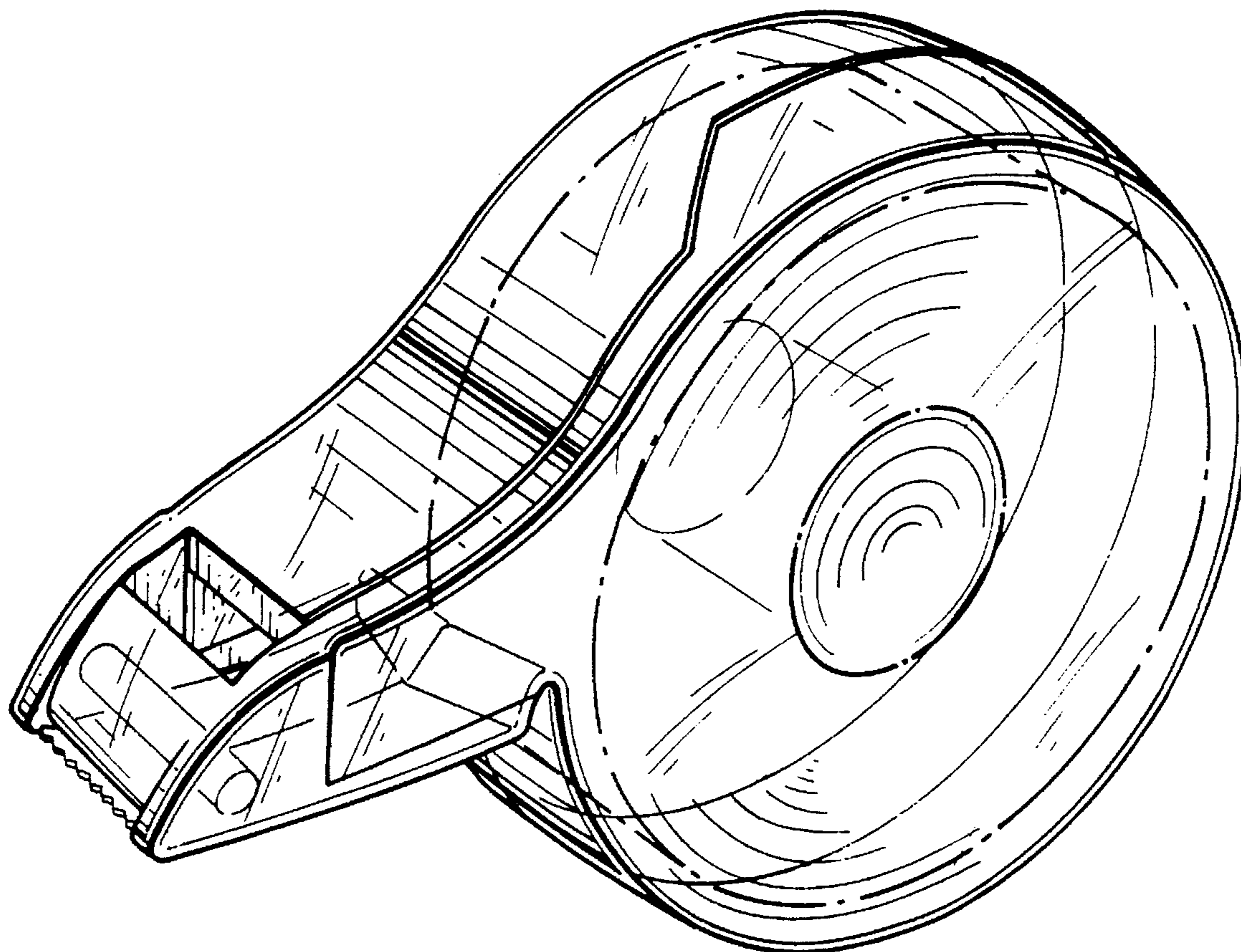
FIG. 6 is a top perspective view thereof, the roll of tape depicted by means of broken lines being shown for illustrative purposes only and forming no part of the claimed design.

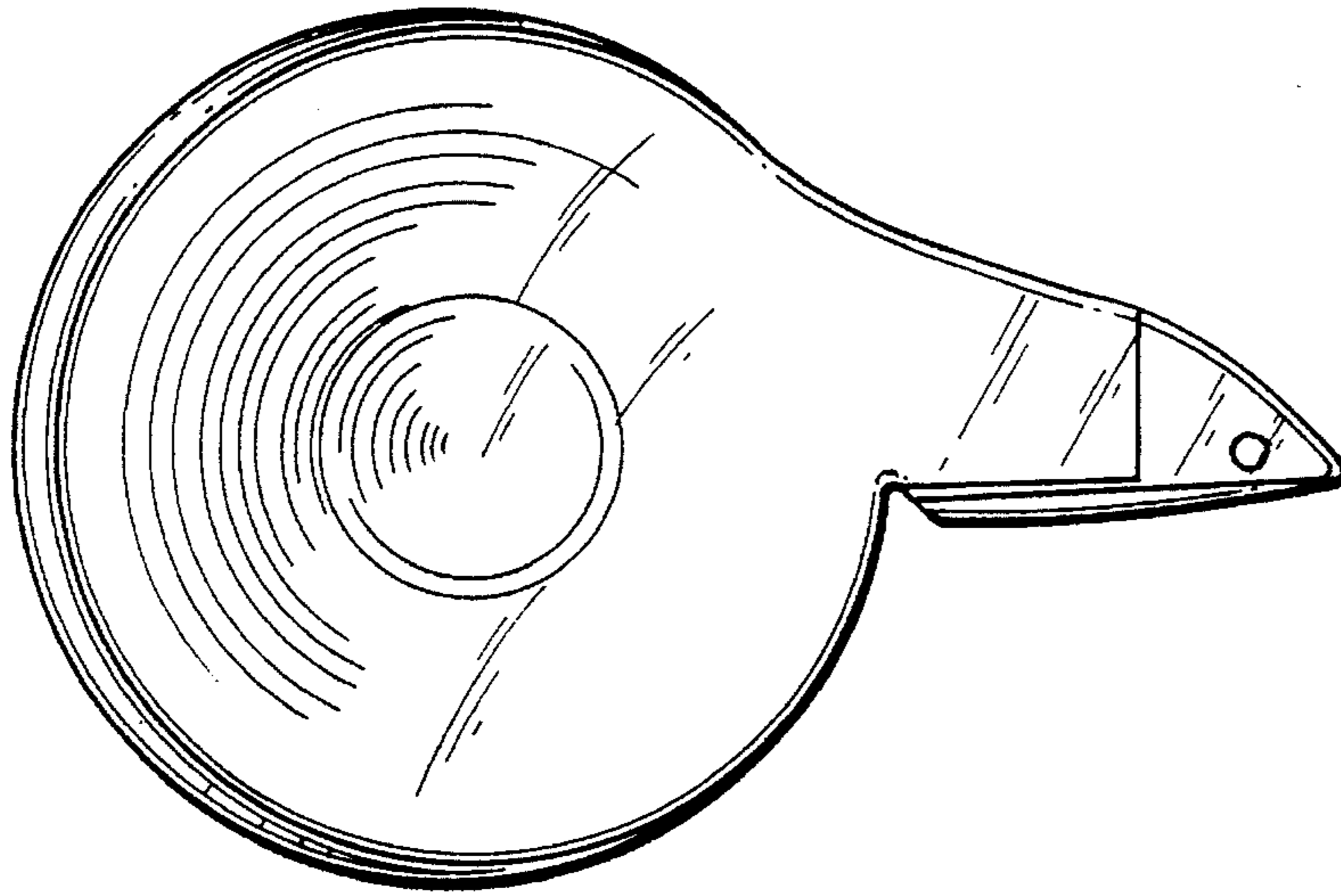
### [56] References Cited

#### U.S. PATENT DOCUMENTS

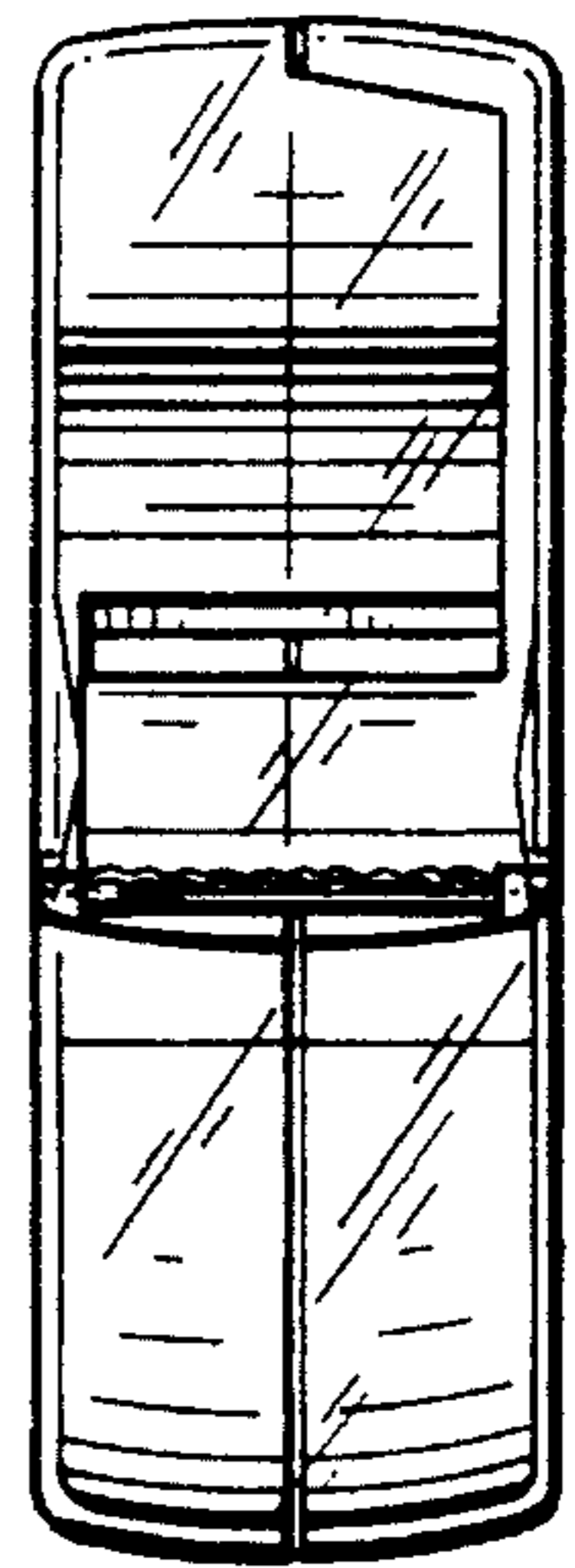
D. 150,160	7/1948	Salsbury .....	D19/69
D. 294,955	3/1988	Ragnerstam .....	D19/67
D. 298,838	12/1988	Sueta et al. ....	D19/67
D. 355,934	2/1995	Oga et al. ....	D19/69
1,001,402	8/1911	Hindle .....	D19/69 X
2,722,331	11/1955	Vogt .	
2,741,220	4/1956	Belisle .....	156/526 X

**1 Claim, 3 Drawing Sheets**

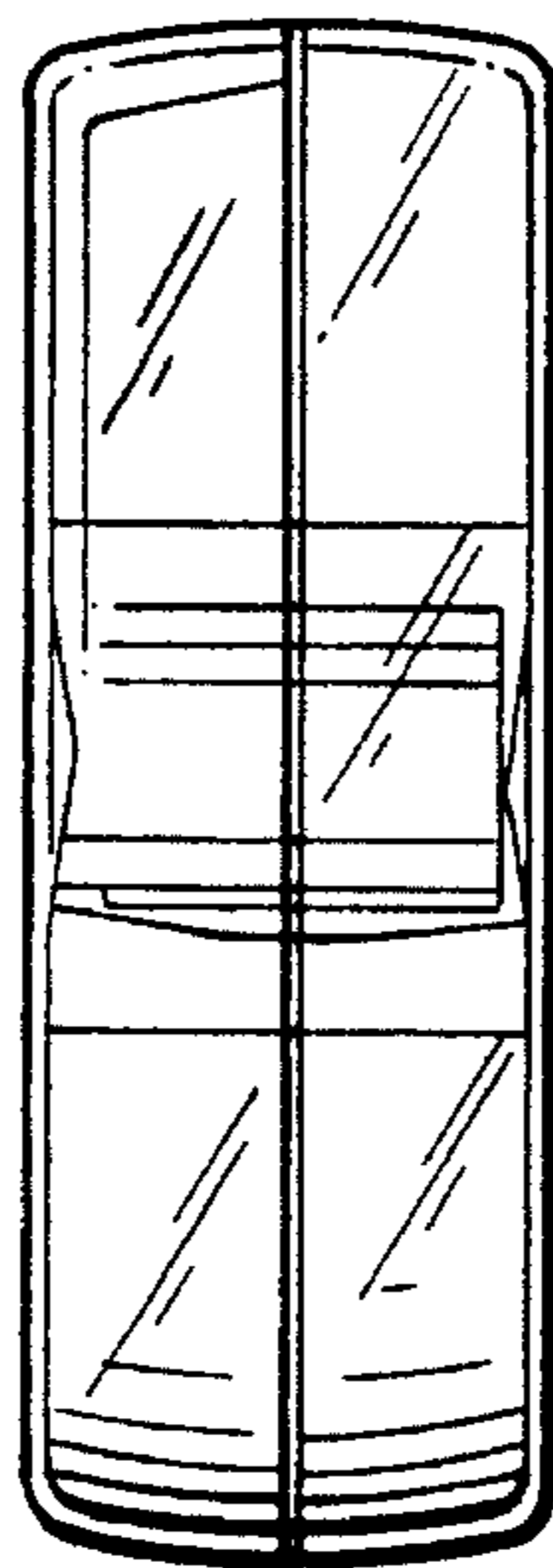




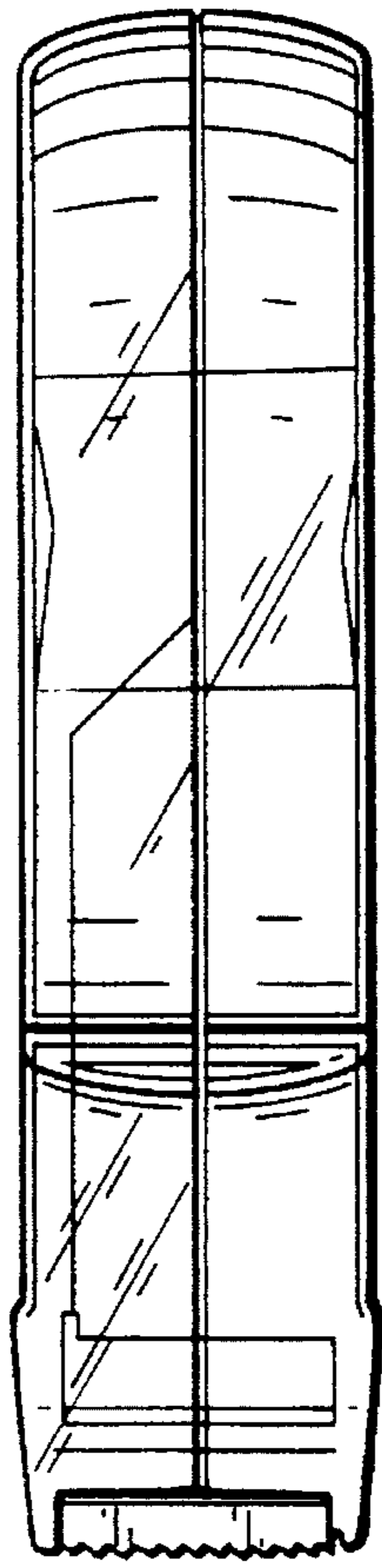
**FIG. 1**



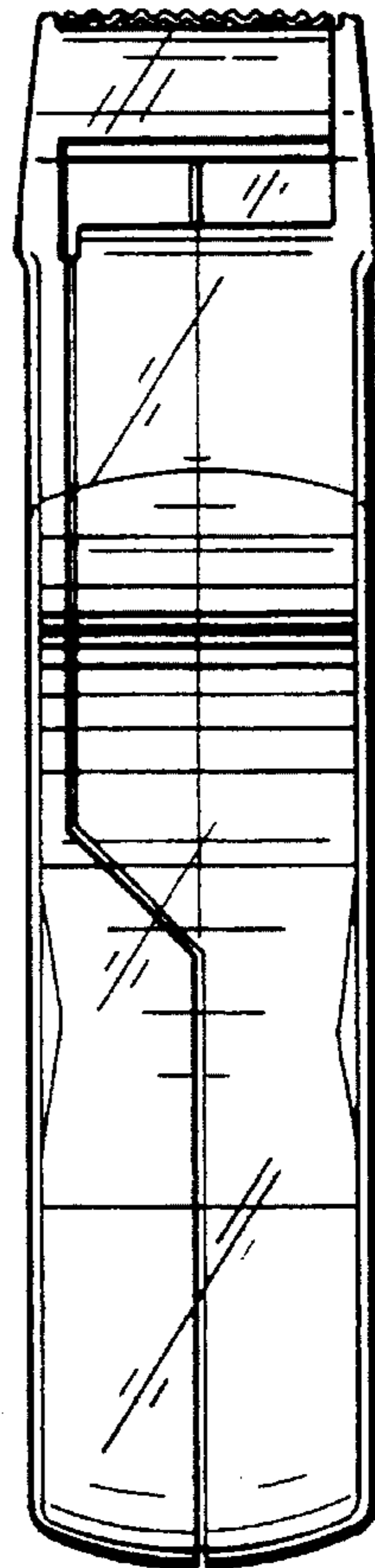
**FIG. 2**



**FIG. 3**



**FIG. 4**



**FIG. 5**

**FIG. 6**

