



US00D365850S

# United States Patent [19]

[11] Patent Number: **Des. 365,850**

Romans

[45] Date of Patent: **\*\*Jan. 2, 1996**

[54] **NOTEPAD HOLDER WITH REMOVABLE PEN**

[76] Inventor: **Dennis R. Romans**, Rte. 1, Box 118, Ft. Calhoun, Nebr. 68023

[\*\*] Term: **14 Years**

[21] Appl. No.: **34,901**

[22] Filed: **Feb. 15, 1995**

[52] U.S. Cl. .... **D19/36**; D19/78; D19/84; D19/90

[58] **Field of Search** ..... D19/35, 36, 41-51, D19/54-58, 81-85, 78, 65, 99, 100; 401/209; 211/69.1-69.9; 206/214, 224, 371

[56] **References Cited**

**U.S. PATENT DOCUMENTS**

D. 162,153	2/1951	Gilfert .....	D19/78
D. 177,160	3/1956	Vernon .....	D19/85
D. 228,202	8/1973	Quenot .....	D19/86 X
D. 267,808	2/1983	Russo .....	D19/78
D. 307,445	4/1990	Greenhut et al. ....	D19/78
D. 345,761	4/1994	Golds .....	D19/78
1,739,801	12/1929	Pitts .....	220/483

*Primary Examiner*—Martie Thompson

[57] **CLAIM**

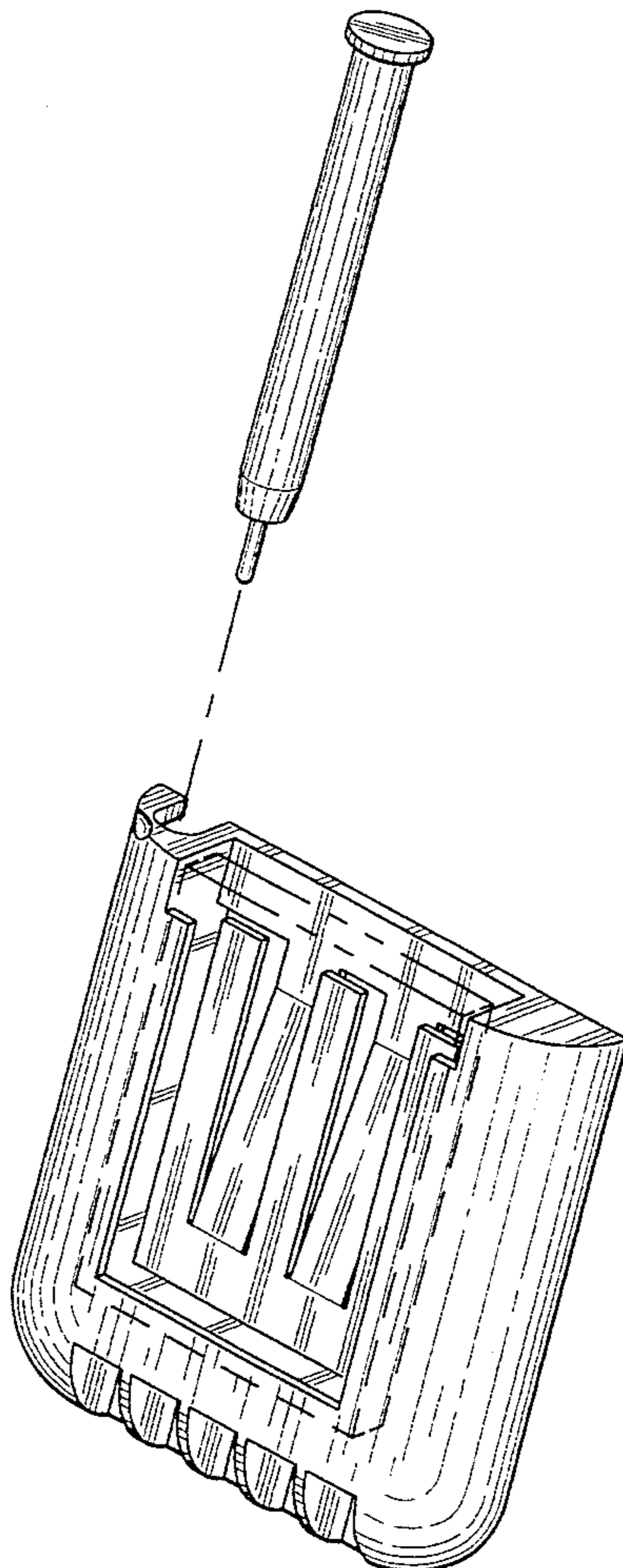
The ornamental design for a notepad holder with removable pen, as shown and described.

**DESCRIPTION**

FIG. 1 is a front perspective view of a notepad holder with removable pen showing my new design;  
 FIG. 2 is a front elevational view of the notepad holder with the pen removed for convenience of illustration;  
 FIG. 3 is a rear elevational view of FIG. 2;  
 FIG. 4 is a top plan view of FIG. 2;  
 FIG. 5 is a bottom plan view of FIG. 2;  
 FIG. 6 is a right side elevational view of FIG. 2;  
 FIG. 7 is a left side elevational view of FIG. 2;  
 FIG. 8 is a top plan view of FIG. 1 with the pen in a stored position;  
 FIG. 9 is a front elevational view of the pen with the holder removed for convenience of illustration, all other side being identical;  
 FIG. 10 is a top plan view of FIG. 9; and,  
 FIG. 11 is a bottom plan view of FIG. 9.

The notepad depicted by means of broken lines in FIGS. 1 and 8 has been shown for illustrative purposes only and forms no part of the claimed design.

**1 Claim, 4 Drawing Sheets**



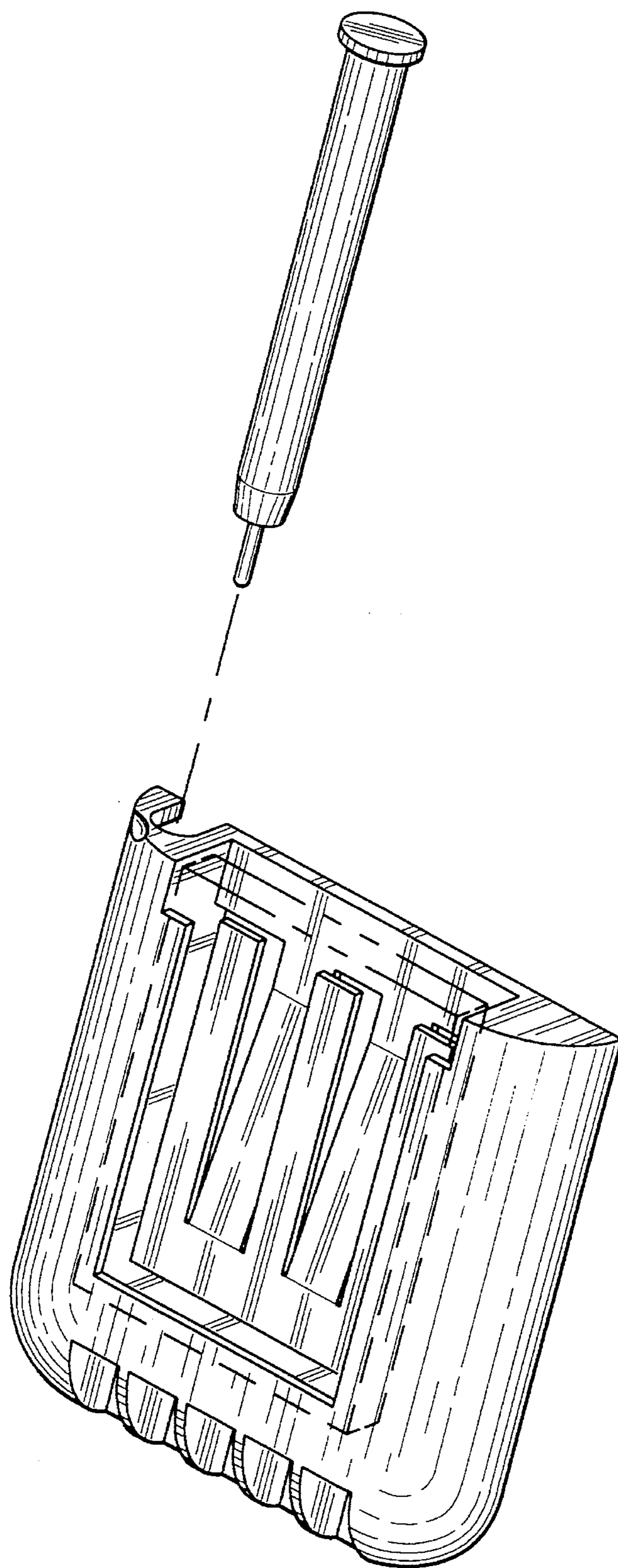


FIG 1

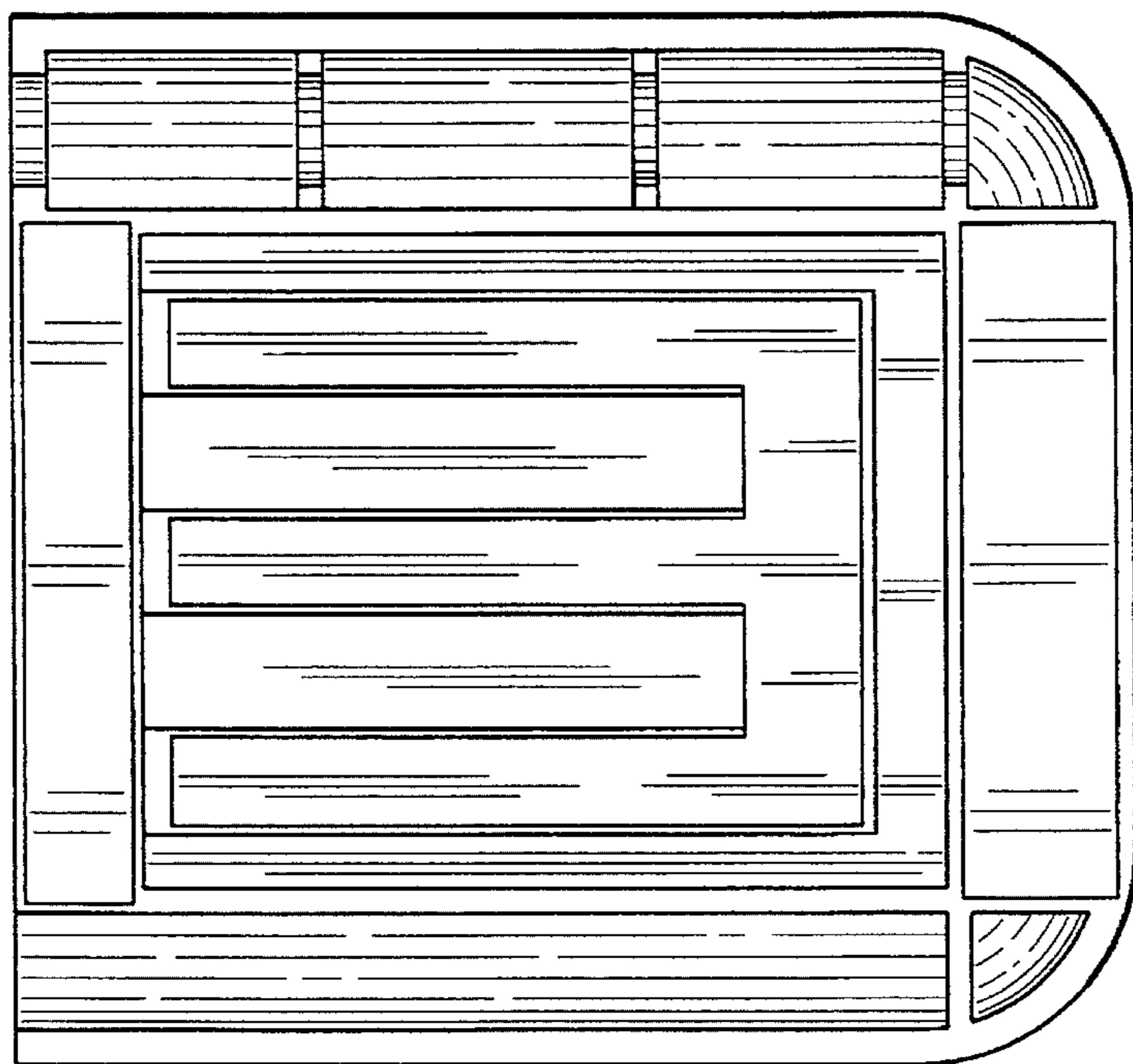


FIG 3

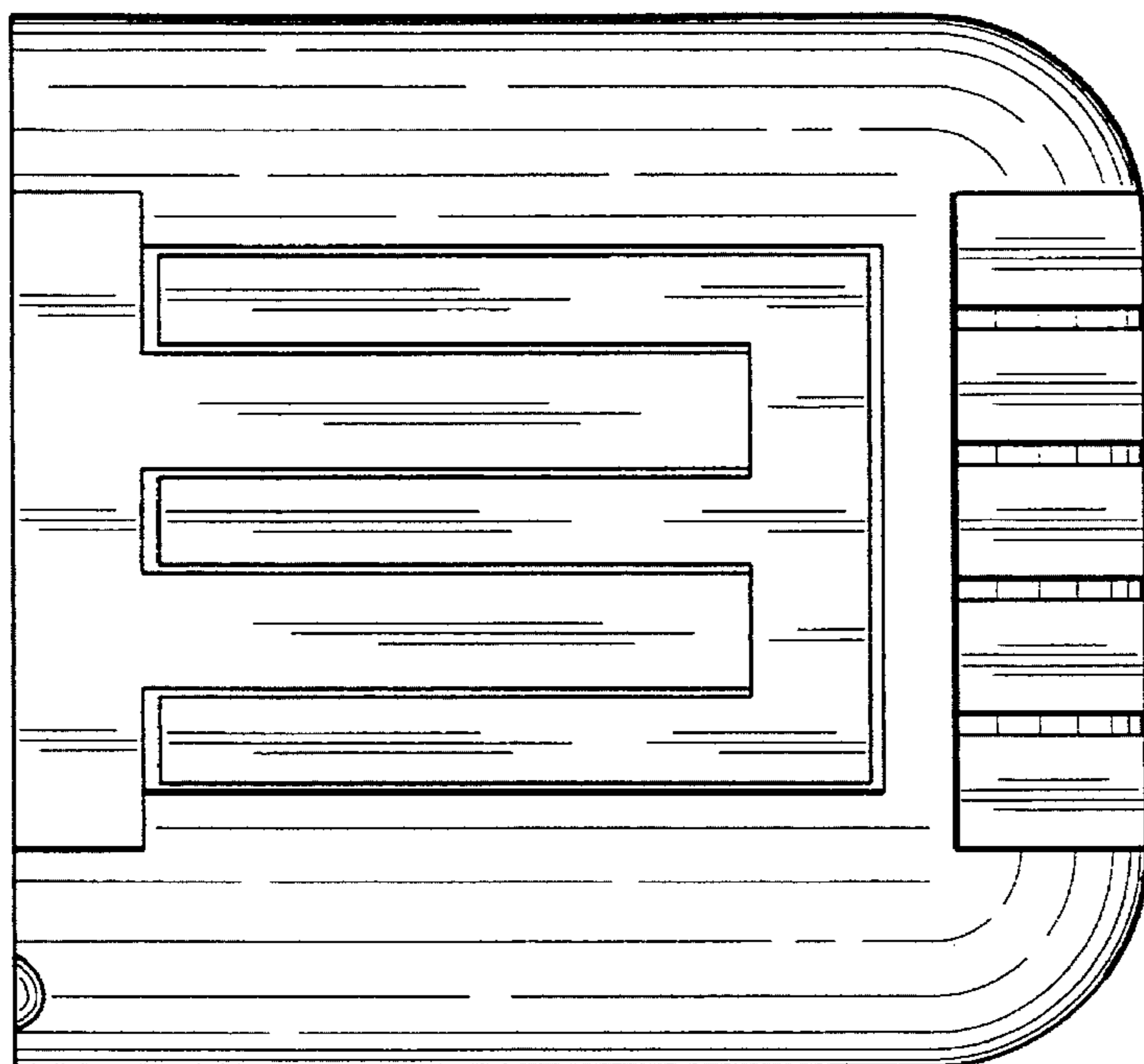


FIG 2

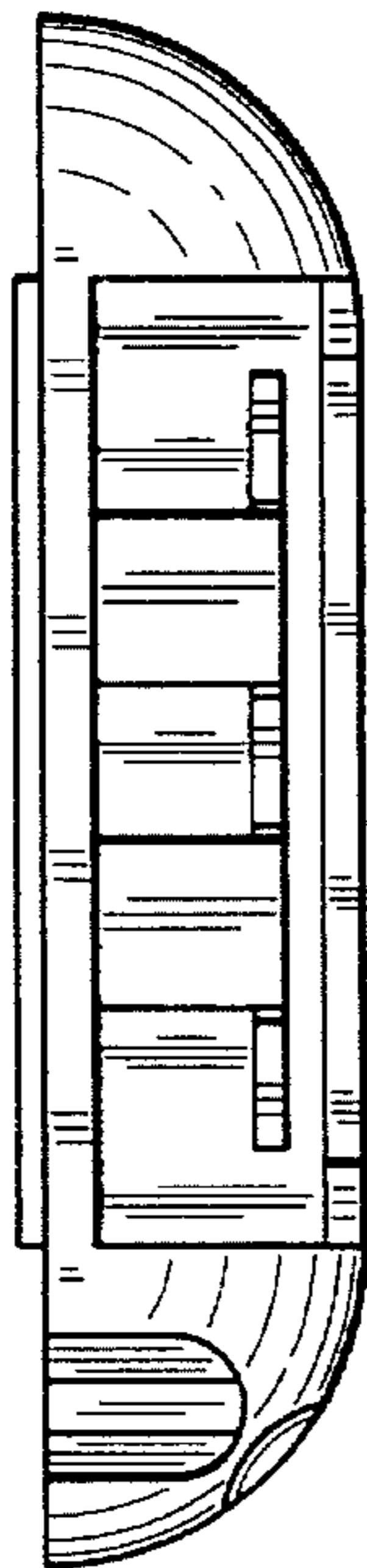


FIG 4

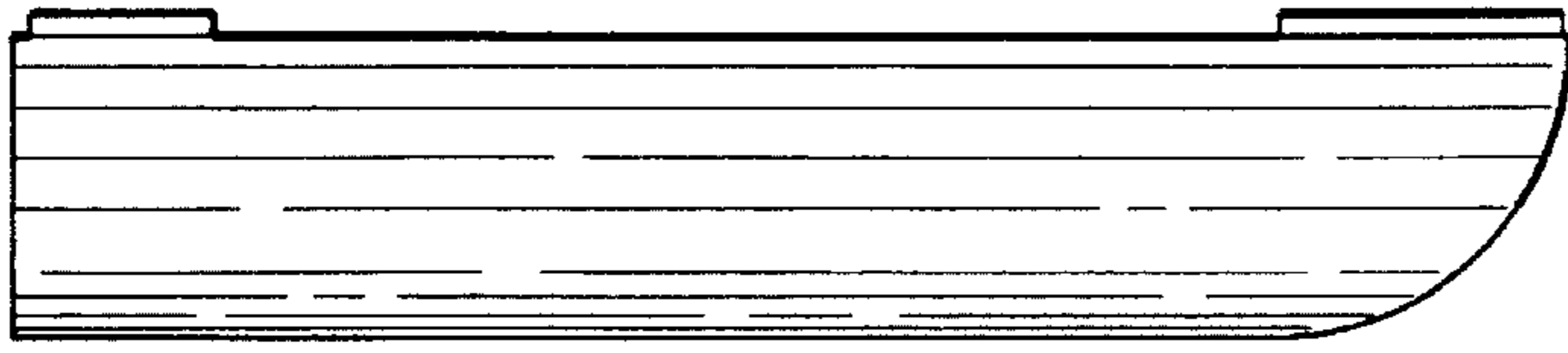


FIG 6

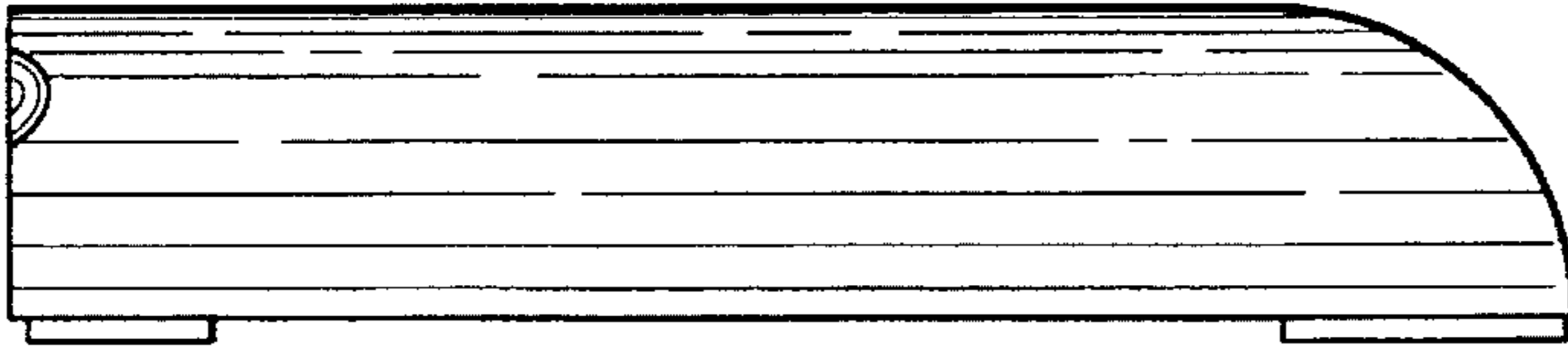


FIG 7

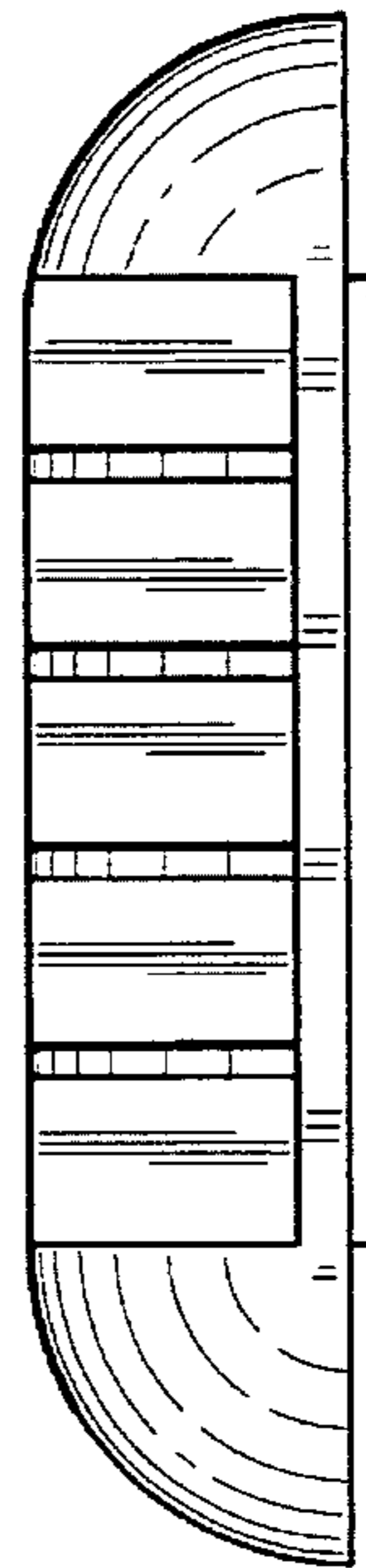


FIG 5



FIG 10



FIG 11

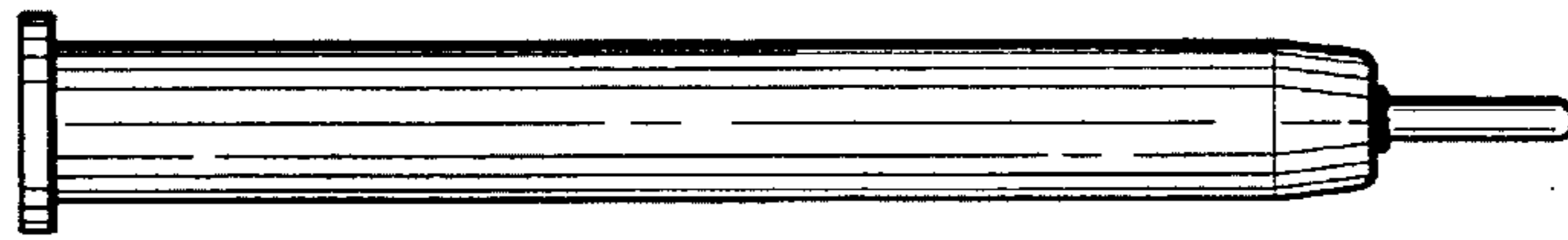


FIG 9

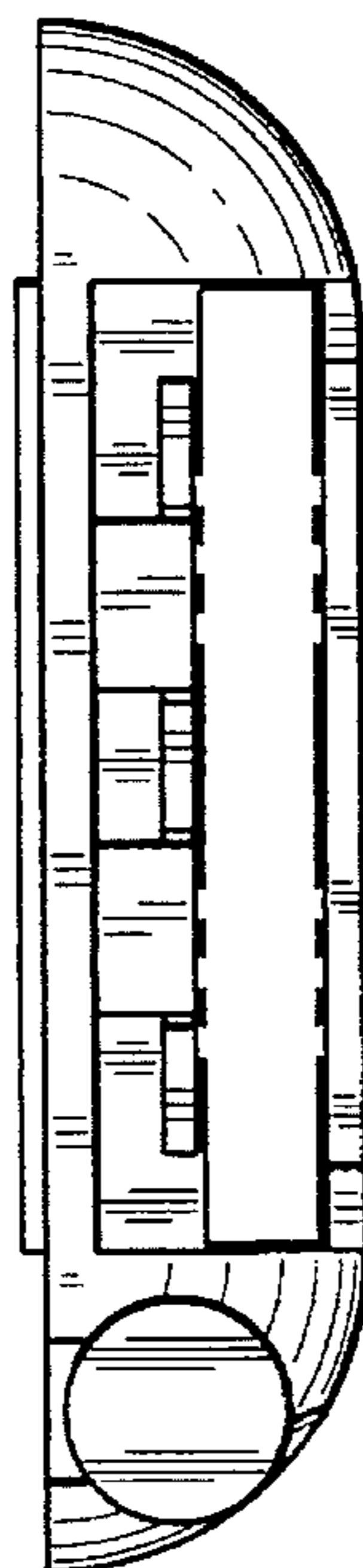


FIG 8