



US00D365845S

United States Patent [19]

[11] Patent Number: **Des. 365,845**

Yasuda et al.

[45] Date of Patent: ****Jan. 2, 1996**

[54] **PHOTOCONDUCTIVE UNIT FOR A REPROGRAPHIC APPARATUS**

[75] Inventors: **Koichi Yasuda, Yao; Hiroki Morishita,**
Nara, both of Japan

[73] Assignee: **Mita Industrial Co., Ltd.,** Osaka,
Japan

[**] Term: **14 Years**

[21] Appl. No.: **28,602**

[22] Filed: **Sep. 8, 1994**

[30] **Foreign Application Priority Data**

Mar. 11, 1994 [JP] Japan 6-6393

[52] U.S. Cl. **D18/43; D18/40**

[58] Field of Search **D18/36, 40, 43;**
355/200, 206, 208, 245, 260, 298

[56] **References Cited**

U.S. PATENT DOCUMENTS

- D. 298,333 11/1988 Masaki et al. D18/43
- D. 298,336 11/1988 Masaki D18/43
- D. 310,539 9/1990 Komada et al. D18/40

Primary Examiner—Carmen H. Vales-Lado
Assistant Examiner—Caron D. Veynar
Attorney, Agent, or Firm—Spencer, Frank & Schneider

[57] **CLAIM**

The ornamental design for a photoconductive unit for a reprographic apparatus, as shown.

DESCRIPTION

FIG. 1 is a top plan view of a photoconductive unit for a reprographic apparatus;
 FIG. 2 is a front elevational view of a photoconductive unit for a reprographic apparatus;
 FIG. 3 is a bottom plan view of a photoconductive unit for a reprographic apparatus;
 FIG. 4 is a rear elevational view of a photoconductive unit for a reprographic apparatus;
 FIG. 5 is a left side elevational view of a photoconductive unit for a reprographic apparatus;
 FIG. 6 is a right side elevational view of a photoconductive unit for a reprographic apparatus; and,
 FIG. 7 is a top, front and left side perspective view of a photoconductive unit for a reprographic apparatus.

1 Claim, 4 Drawing Sheets

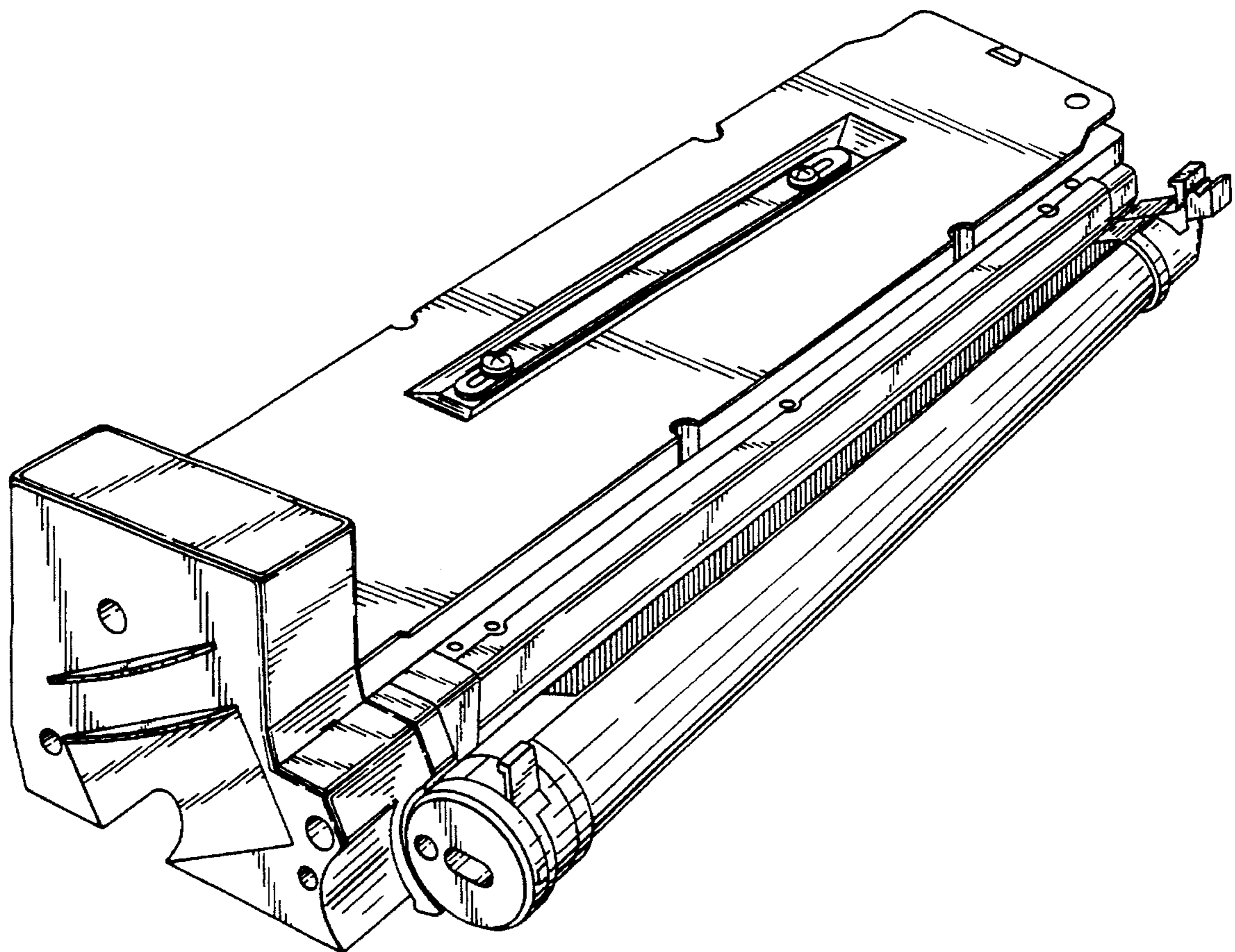


FIG. 1

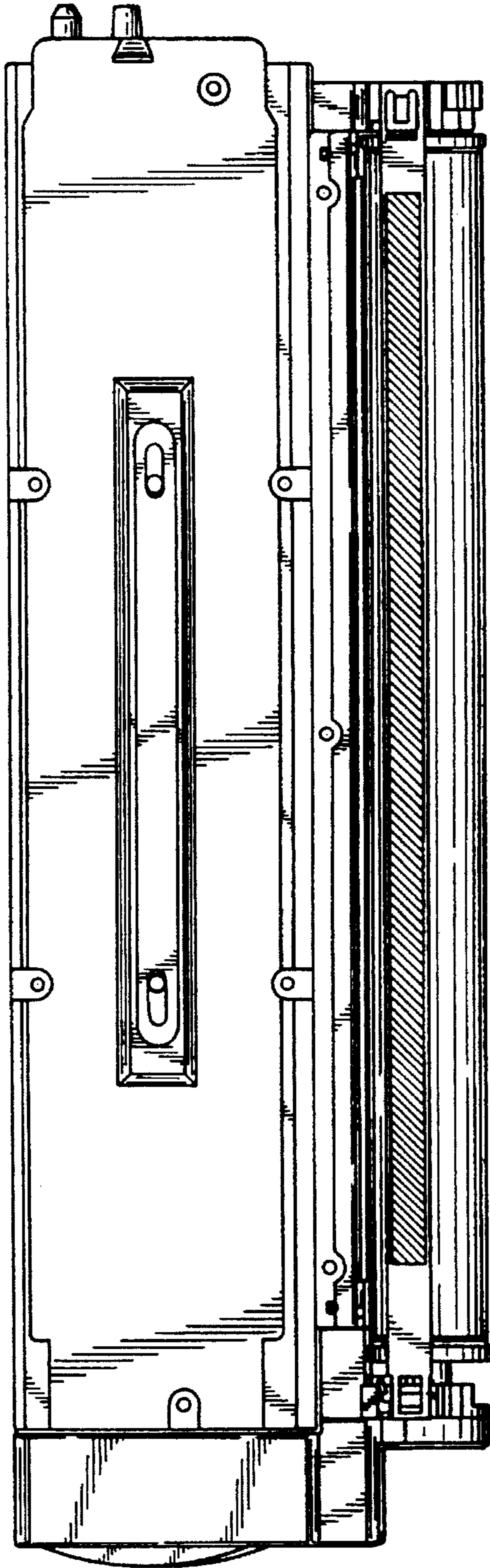


FIG. 2

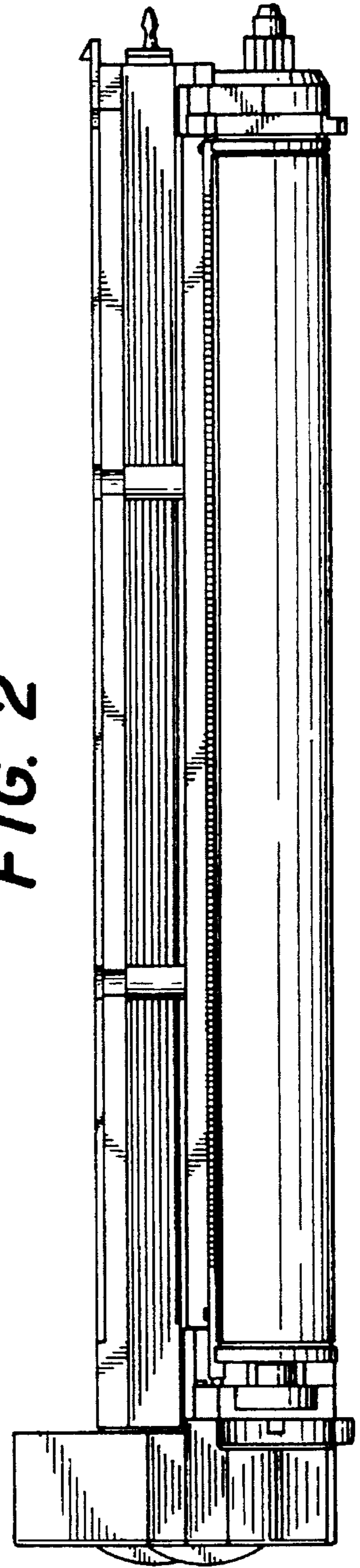


FIG. 3

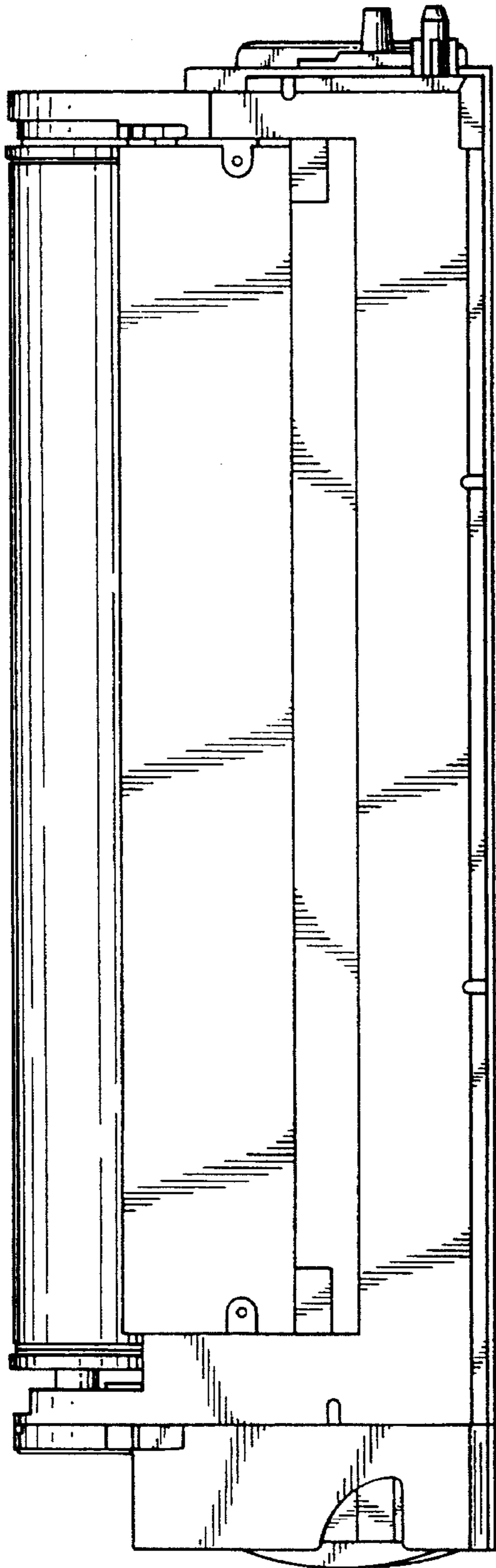


FIG. 4

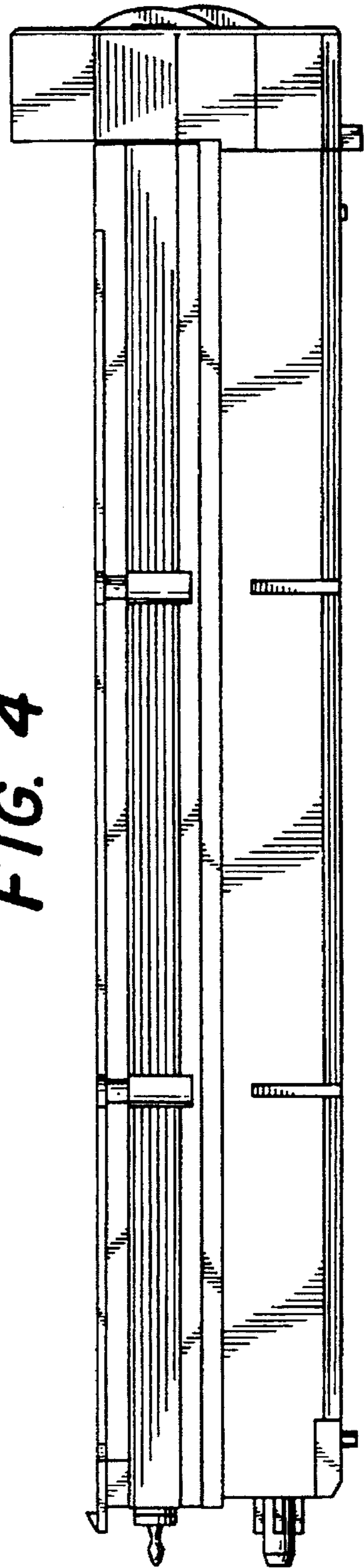


FIG. 6

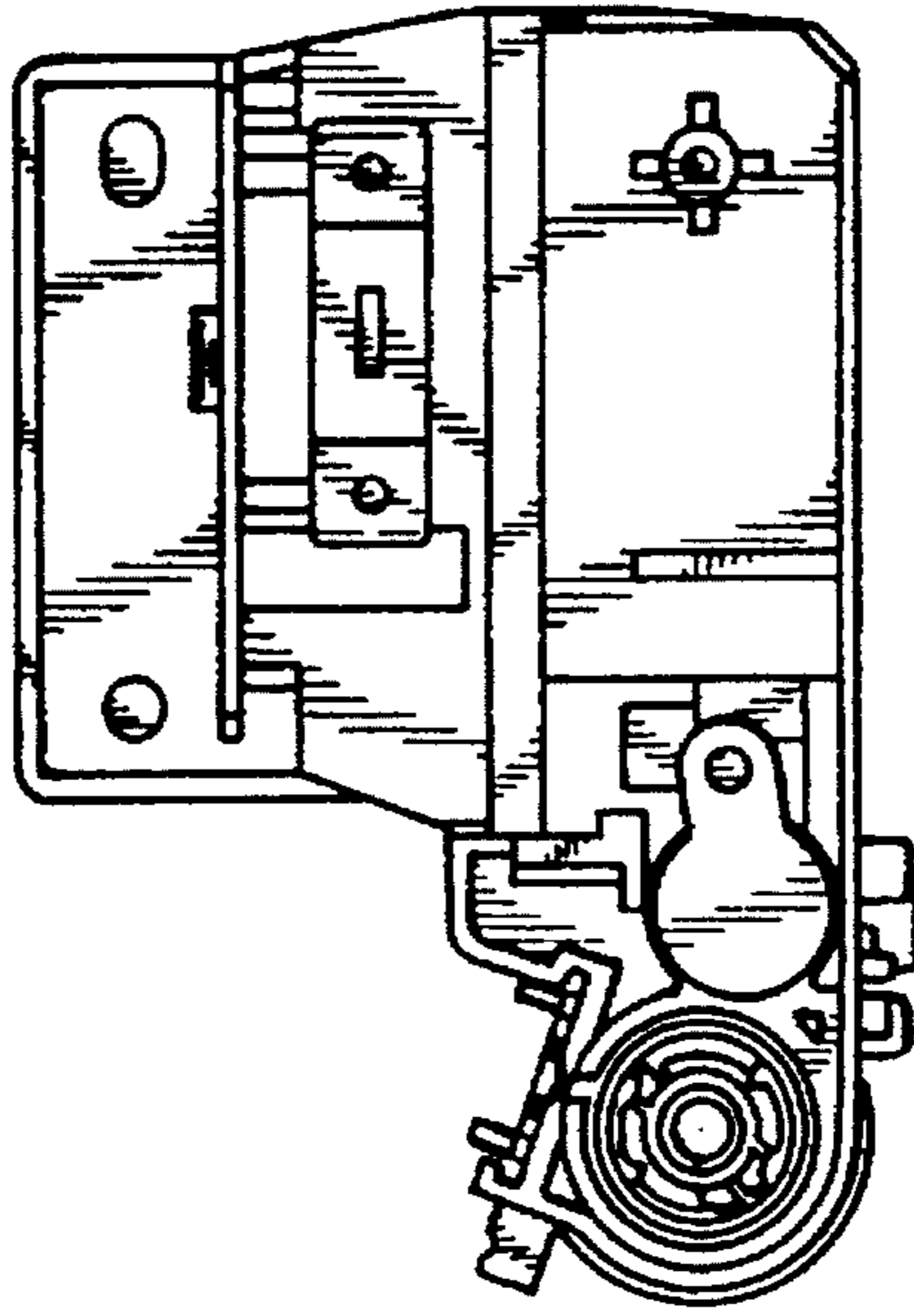
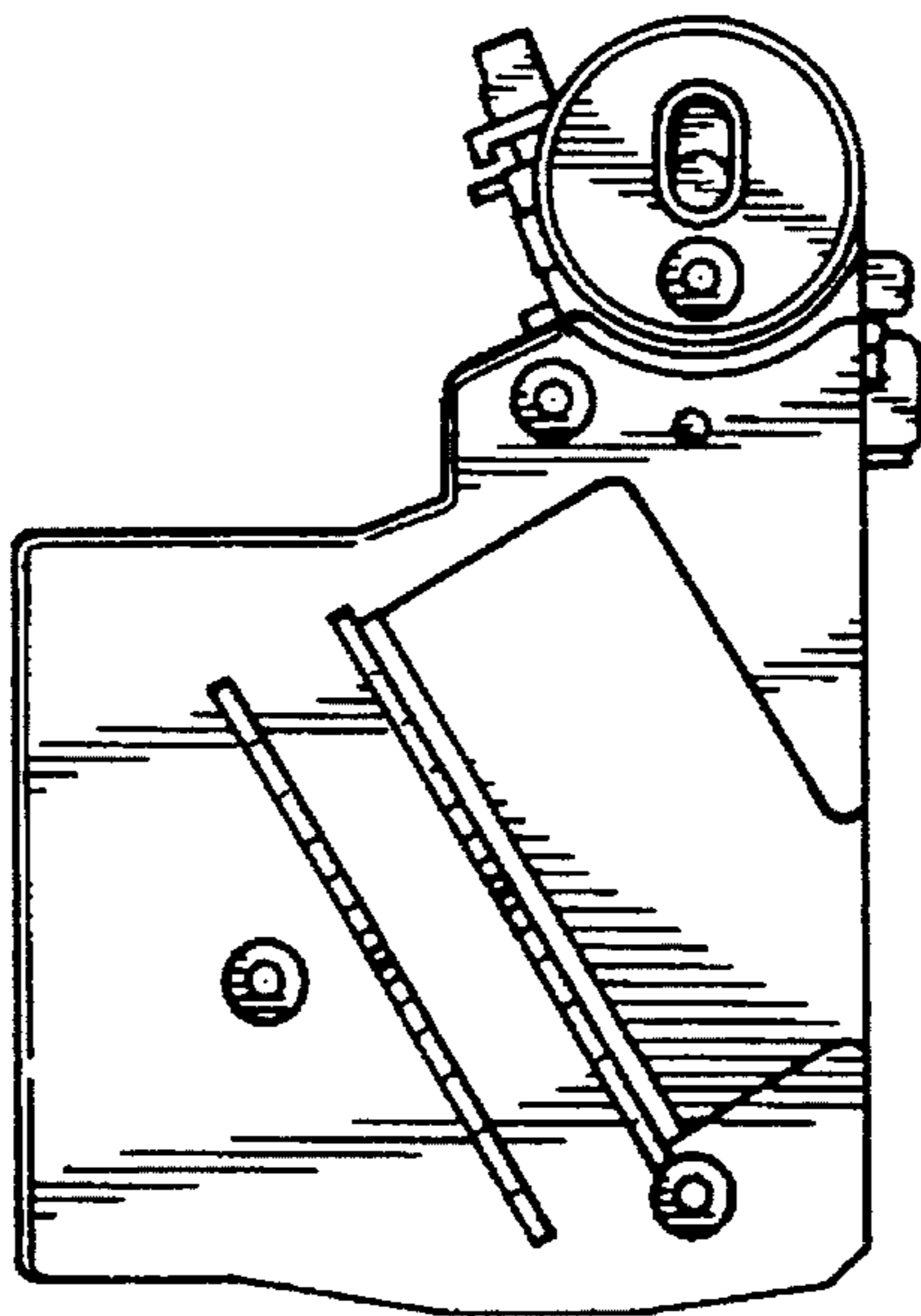


FIG. 5



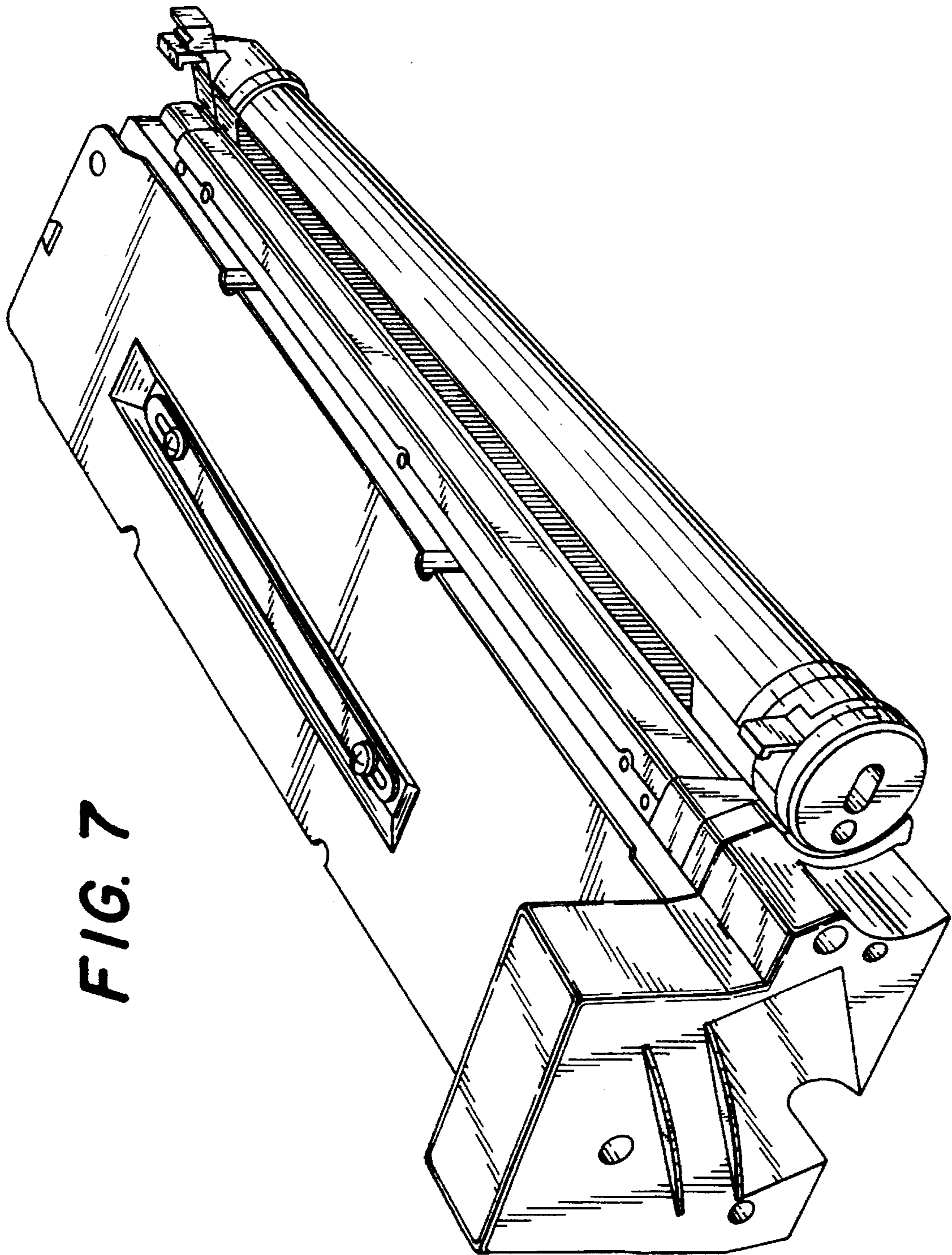


FIG. 7