



US00D365836S

United States Patent [19]
Hasegawa

[11] **Patent Number:** **Des. 365,836**
[45] **Date of Patent:** ****Jan. 2, 1996**

[54] **OVERHEAD PROJECTOR**
[75] Inventor: **Fumio Hasegawa**, Nisio, Japan
[73] Assignee: **Elmo Co., Ltd.**, Nagoya, Japan
[**] Term: **14 Years**

Primary Examiner—Ted Shooman
Assistant Examiner—Adir Aronovich
Attorney, Agent, or Firm—Koda and Androlia

[21] Appl. No.: **24,596**
[22] Filed: **Jun. 16, 1994**

[57] **CLAIM**
The ornamental design for an overhead projector, as shown and described.

[30] **Foreign Application Priority Data**
Dec. 17, 1993 [JP] Japan D5-38370
[52] **U.S. Cl.** **D16/232**
[58] **Field of Search** 353/61, 63-67,
353/119, 122, DIG. 3, DIG. 4; D16/221,
225, 229, 232, 233

DESCRIPTION

FIG. 1 is a front elevational view of the overhead projector showing my new design;
FIG. 2 is a rear elevational view thereof;
FIG. 3 is a top plan view thereof;
FIG. 4 is a bottom plan view thereof;
FIG. 5 is a right side elevational view thereof;
FIG. 6 is a left side elevational view thereof;
FIG. 7 is a perspective view taken from the top, front and right side of the overhead projector;
FIG. 8 is a perspective view taken from the top, rear and left side of the overhead projector;
FIG. 9 is a perspective view taken from the top, front and right side of the overhead projector with the pivotal arm for the projection head assembly folded; and,
FIG. 10 is a perspective view taken from the top, rear and left side of the overhead projector with the pivotal arm for the projection head assembly folded.

[56] **References Cited**
U.S. PATENT DOCUMENTS
D. 330,040 10/1992 Watanabe et al. D16/232
D. 344,533 2/1994 Hasegawa D16/232
D. 349,715 8/1994 Darland D16/232
D. 350,361 9/1994 Hasegawa D16/232
5,374,969 12/1994 Kyhl et al. 353/119
5,382,991 1/1995 Rodriguez, Jr. et al. 353/119

FOREIGN PATENT DOCUMENTS
1168485 6/1984 Canada 353/DIG. 3

1 Claim, 8 Drawing Sheets

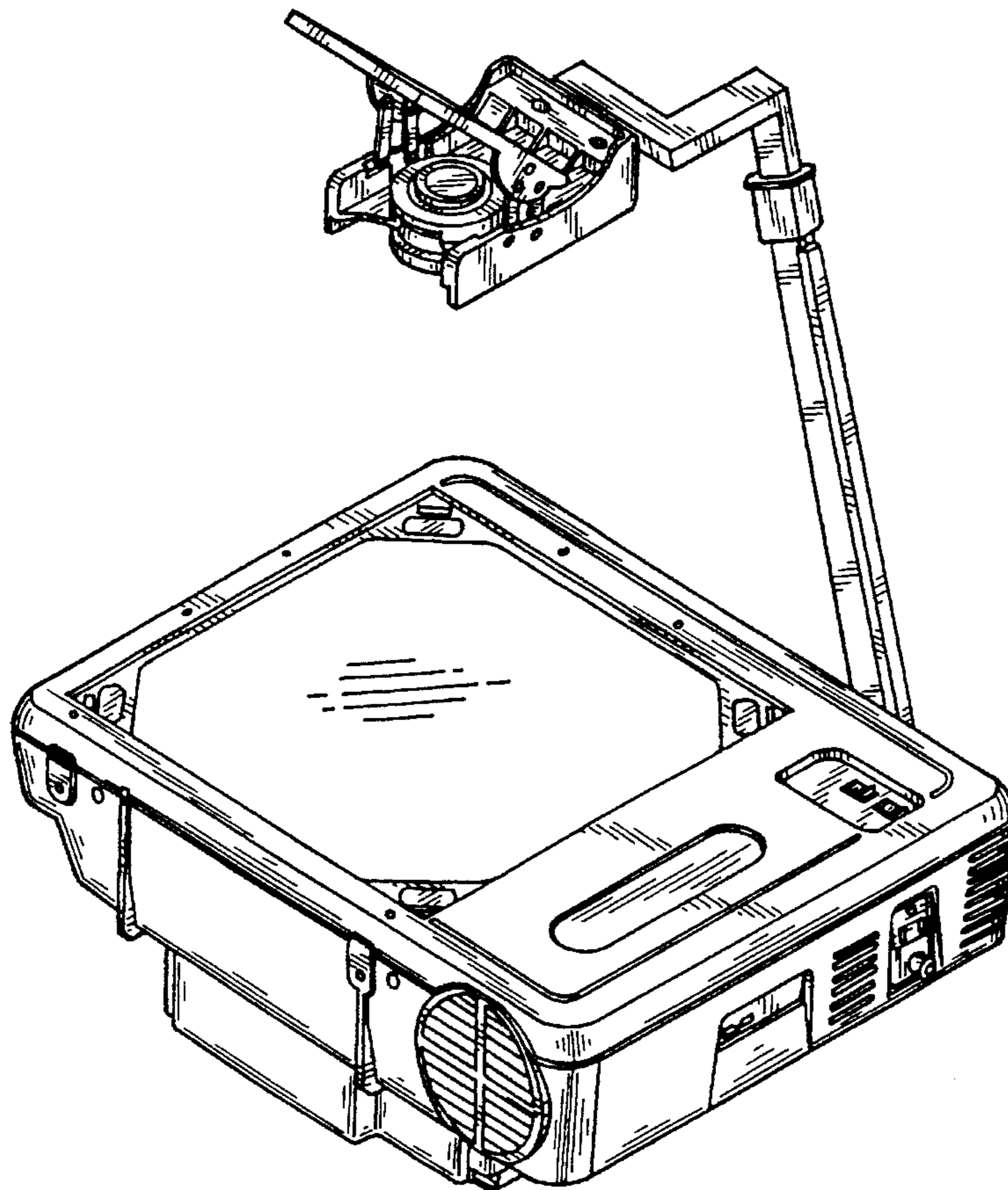


FIG. 1

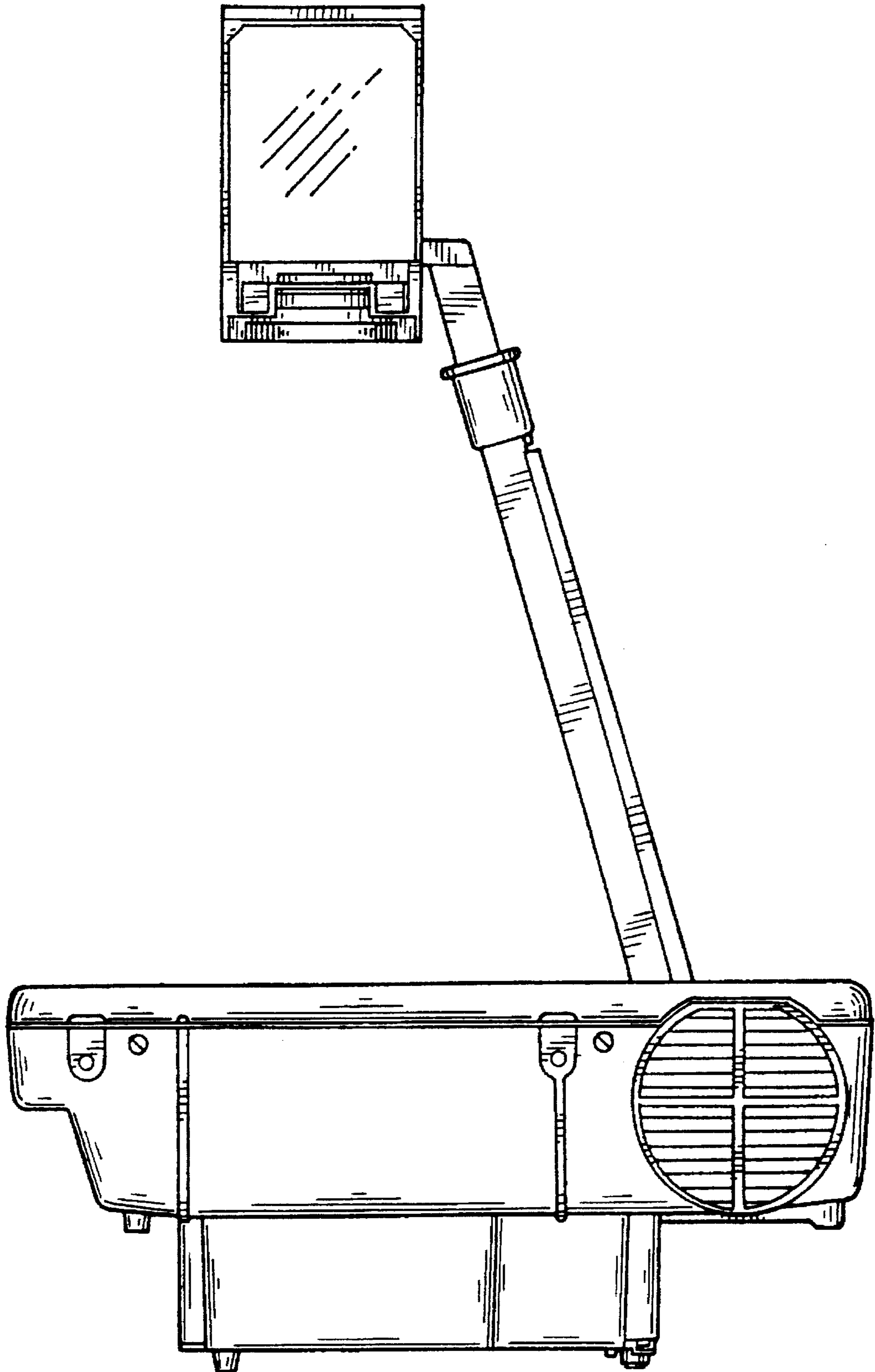


FIG. 2

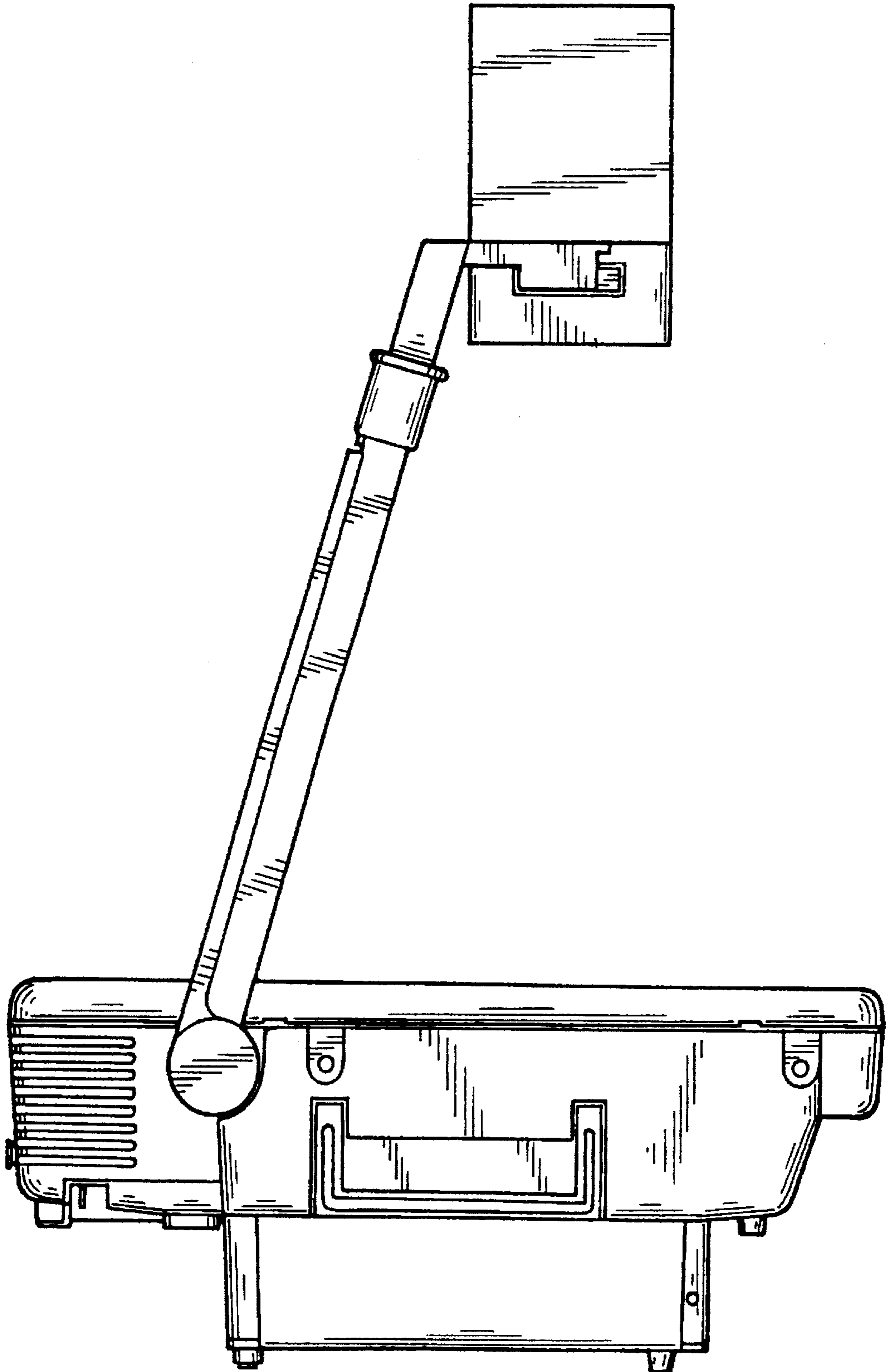


FIG. 3

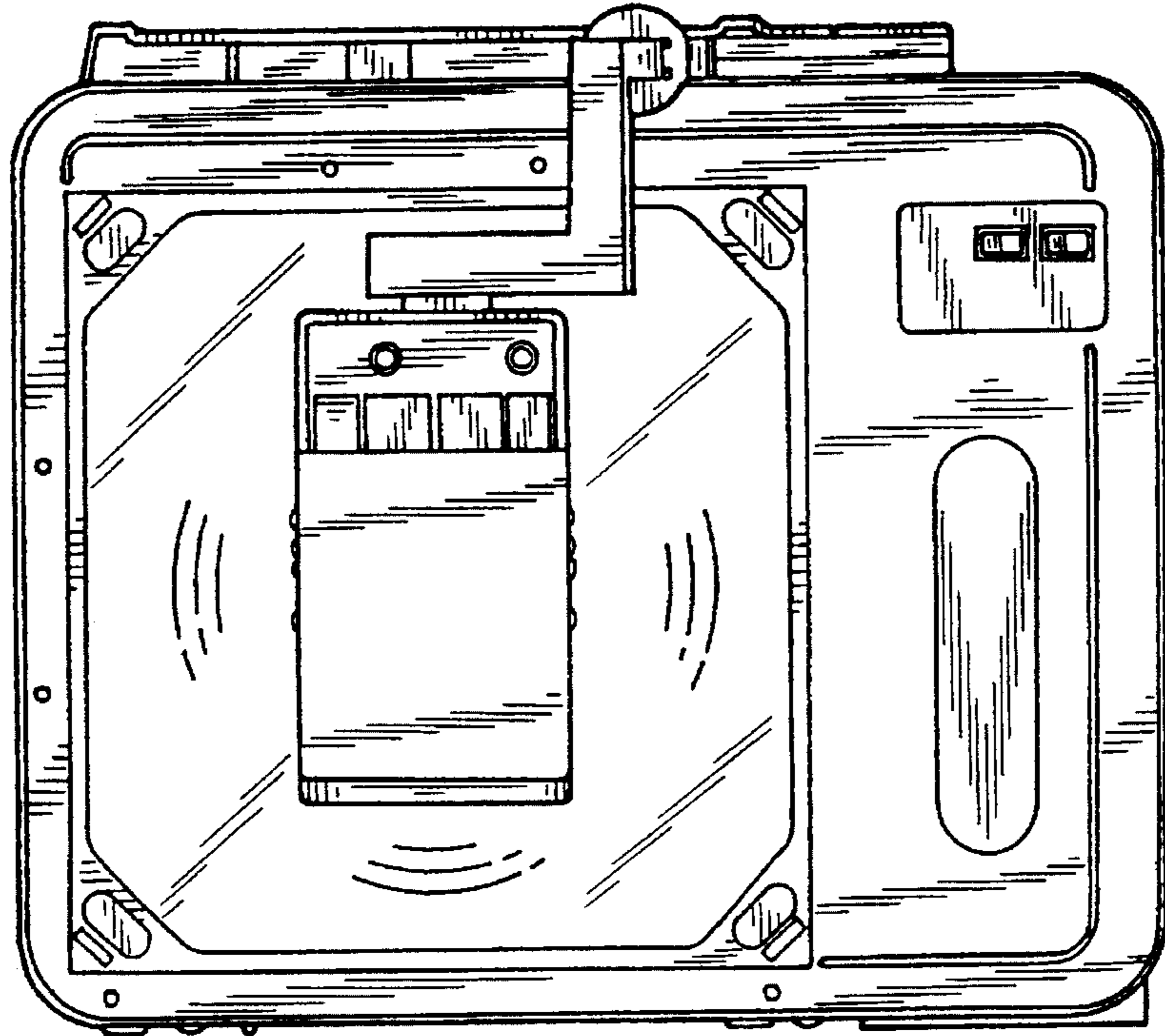


FIG. 4

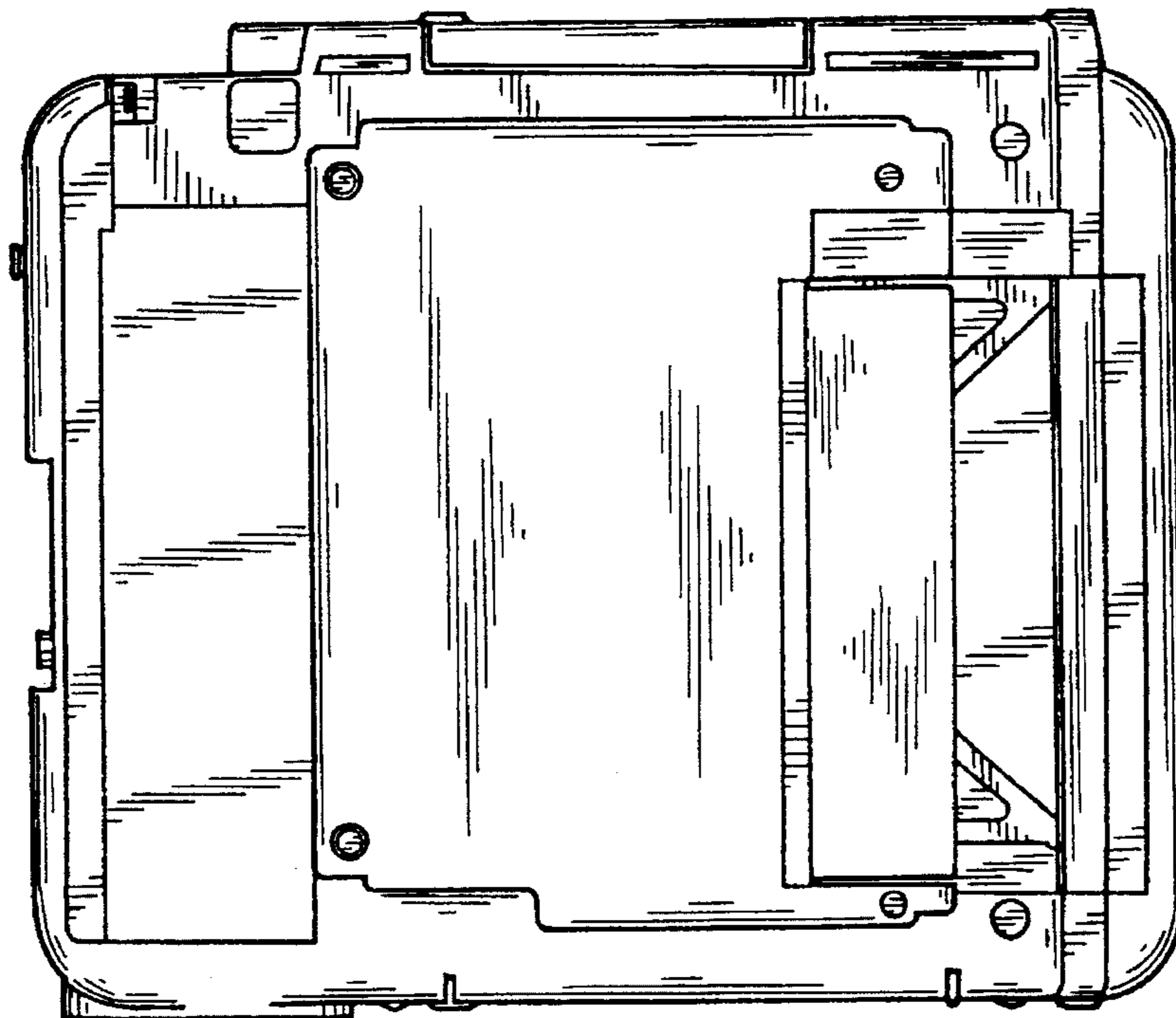


FIG. 5

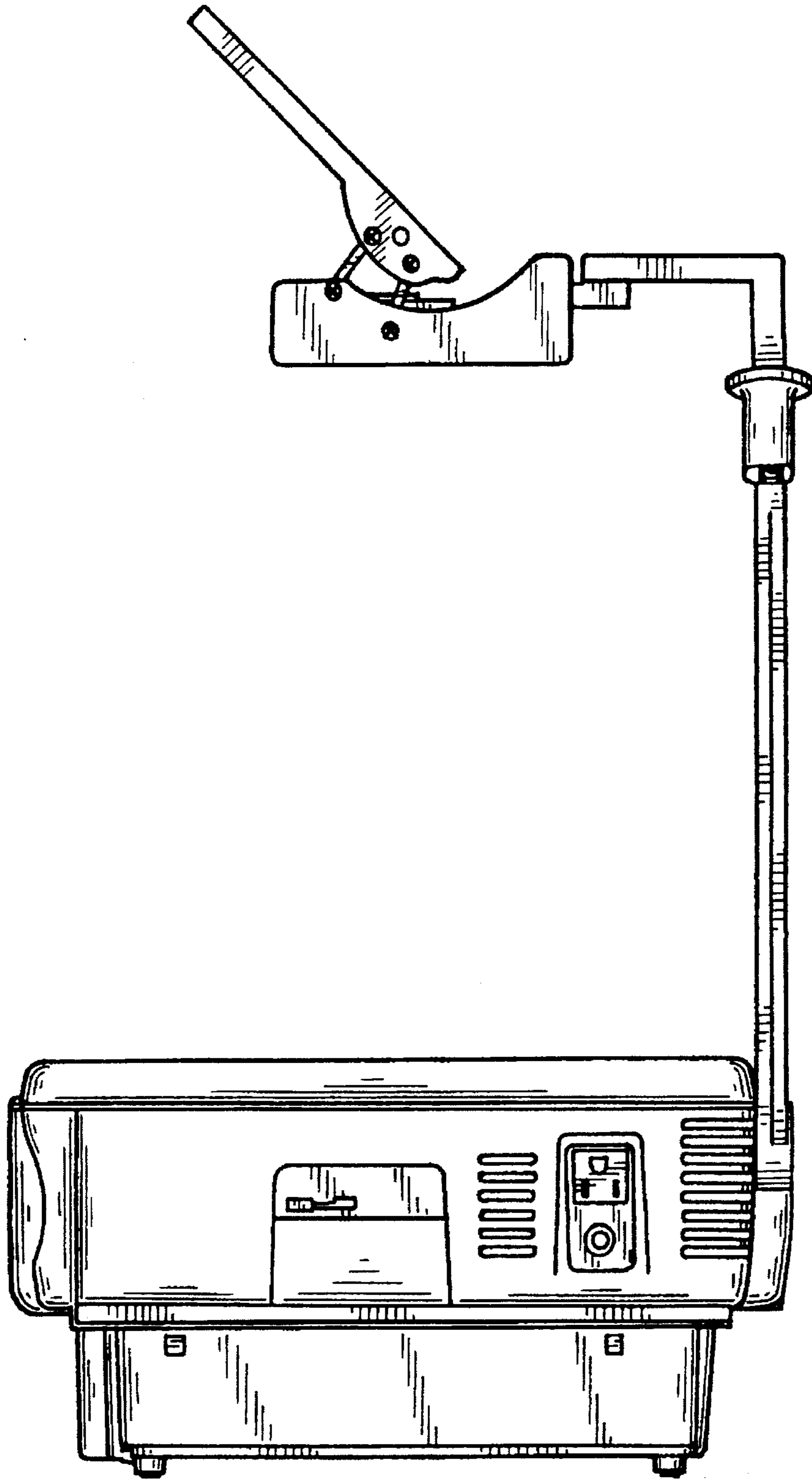


FIG. 6

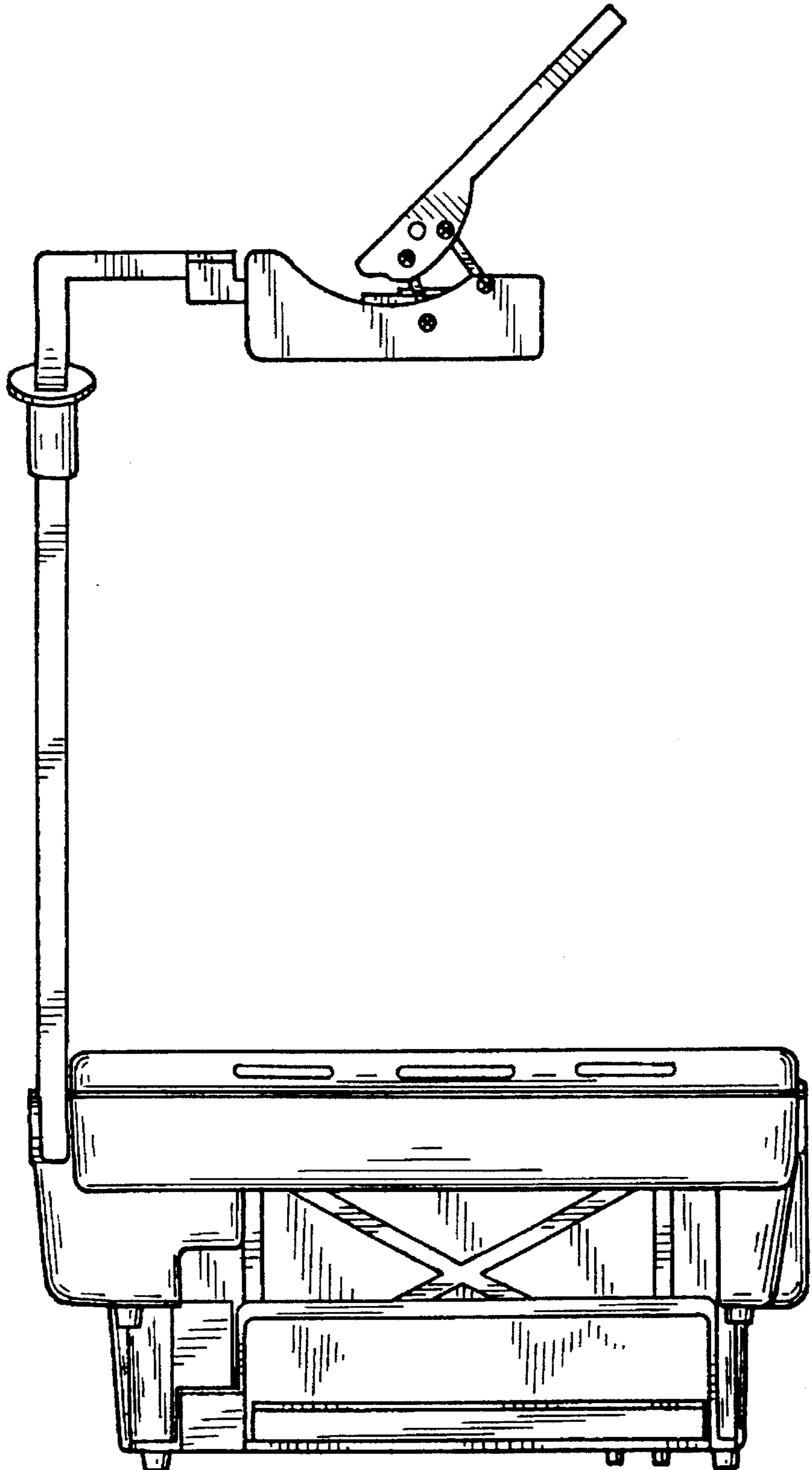


FIG. 7

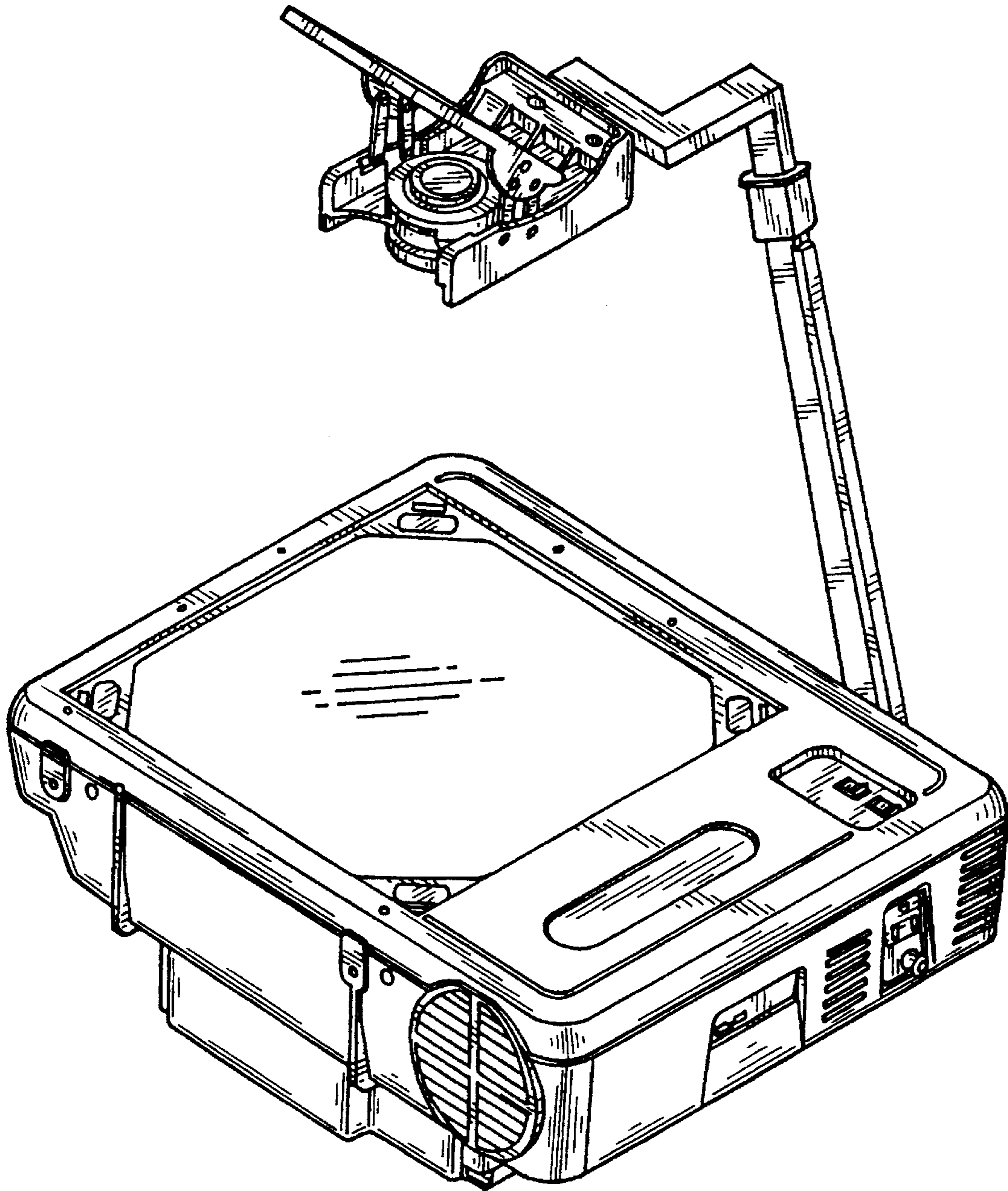


FIG. 8

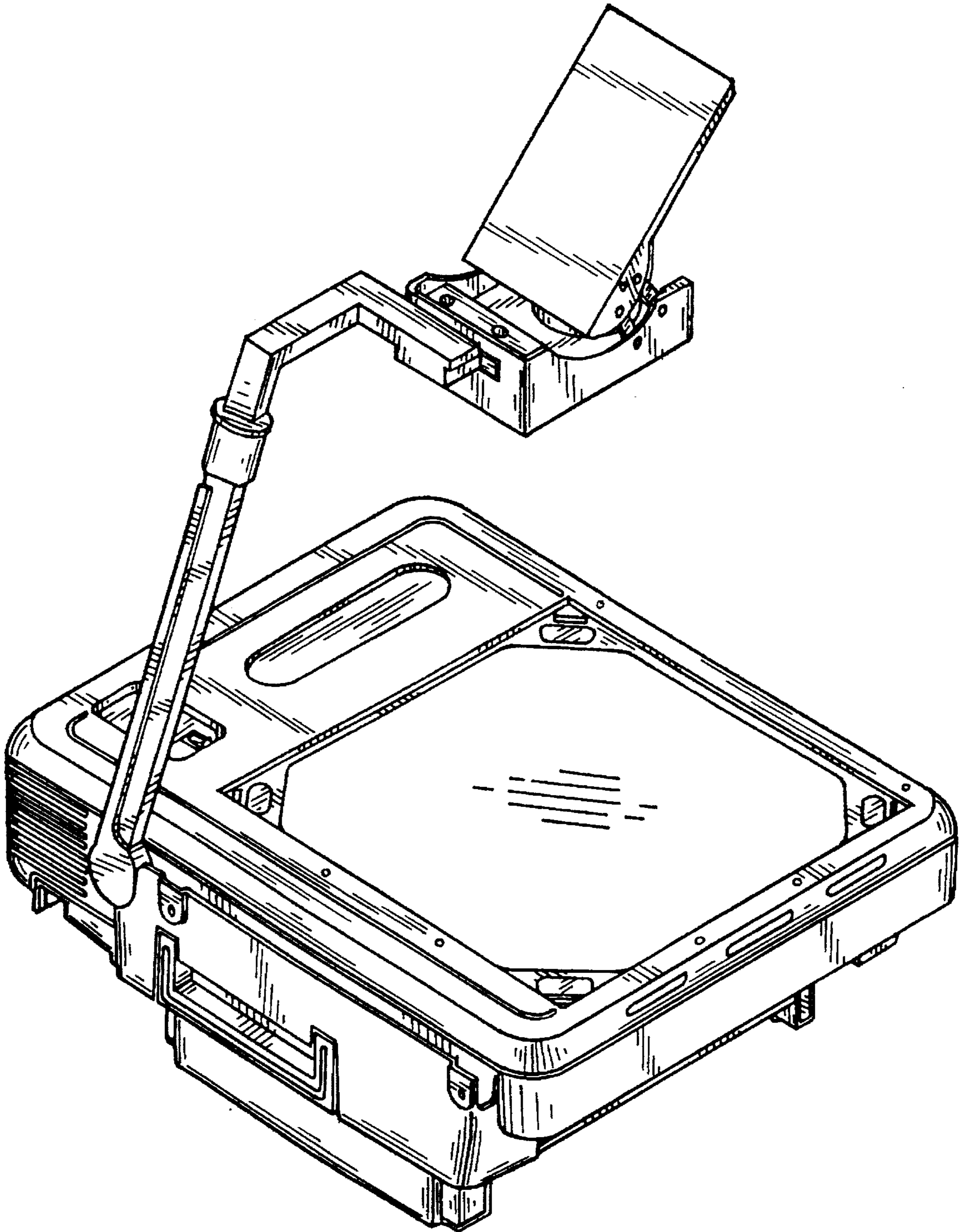


FIG. 9

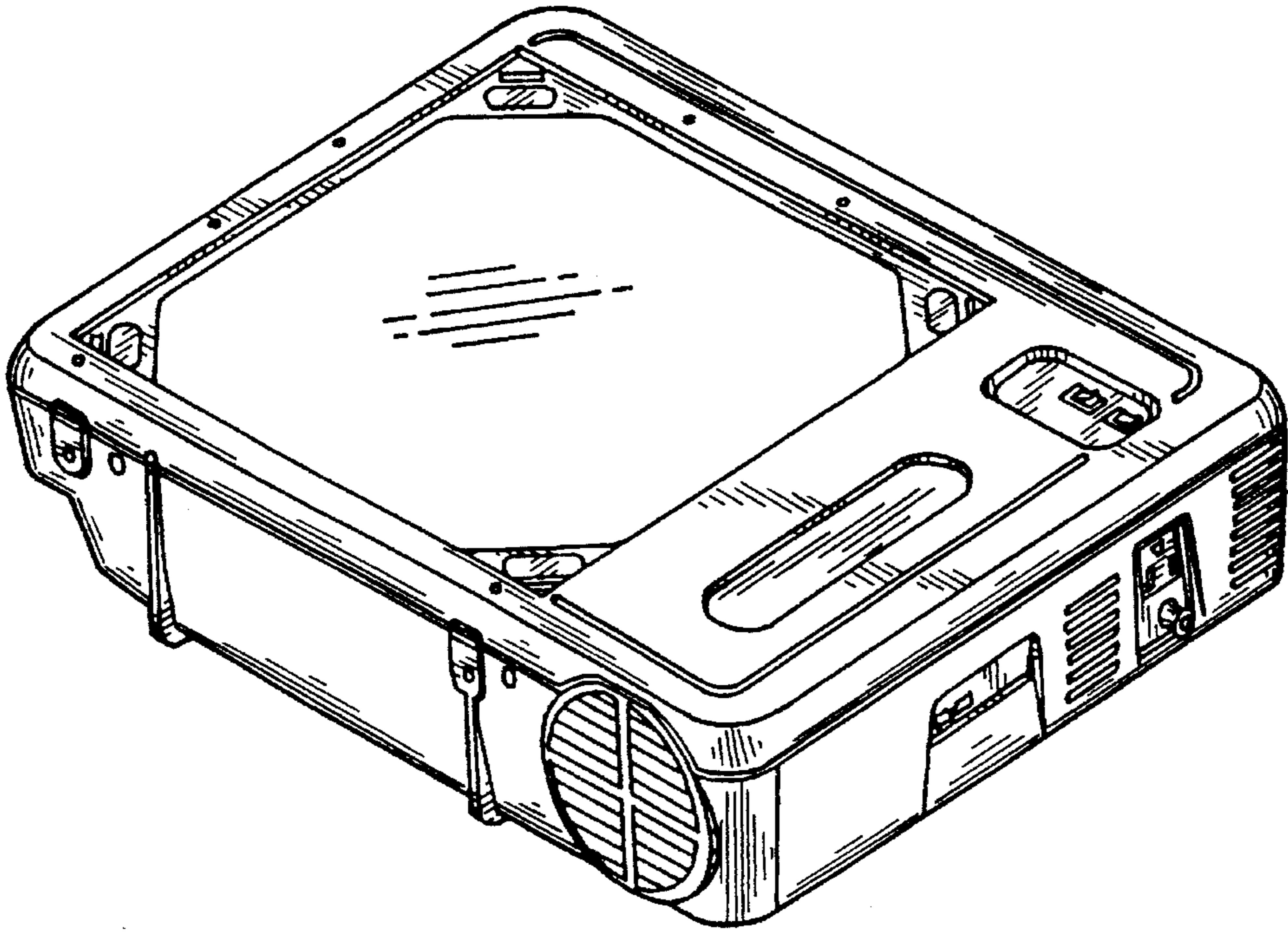


FIG. 10

