



US00D365833S

# United States Patent [19]

Werner

[11] Patent Number: Des. 365,833

[45] Date of Patent: \*\*Jan. 2, 1996

[54] **DOOR VIEWER**

[75] Inventor: **Theodore Werner**, Huntington Station, N.Y.

[73] Assignee: **United States Marketing Corporation**, Huntington Station, N.Y.

[\*\*] Term: **14 Years**

[21] Appl. No.: **22,155**

[22] Filed: **May 2, 1994**

[52] U.S. Cl. .... **D16/135**

[58] Field of Search ..... D16/135, 130,  
D16/132; 259/504, 399, 400, 431, 819,  
503, 802; 359/744

[56] **References Cited**

**U.S. PATENT DOCUMENTS**

D. 330,211	10/1992	Degnan	.....	D16/135 X
D. 330,382	10/1992	Degnan	.....	D16/135 X
2,169,874	8/1939	Hardt	.....	359/504
4,116,529	9/1978	Yamaguchi	.....	359/504

4,269,474	5/1981	Kamimura	.....	359/504
4,726,670	2/1988	Sherrard	.....	359/504 X
4,892,399	1/1990	Ahn	.....	359/744 X
4,964,711	10/1990	Degnan	.....	359/503
5,138,487	8/1992	Ahn	.....	359/744 X
5,221,992	6/1993	Park	.....	259/504

Primary Examiner—Doris V. Coles  
Attorney, Agent, or Firm—Charles E. Baxley

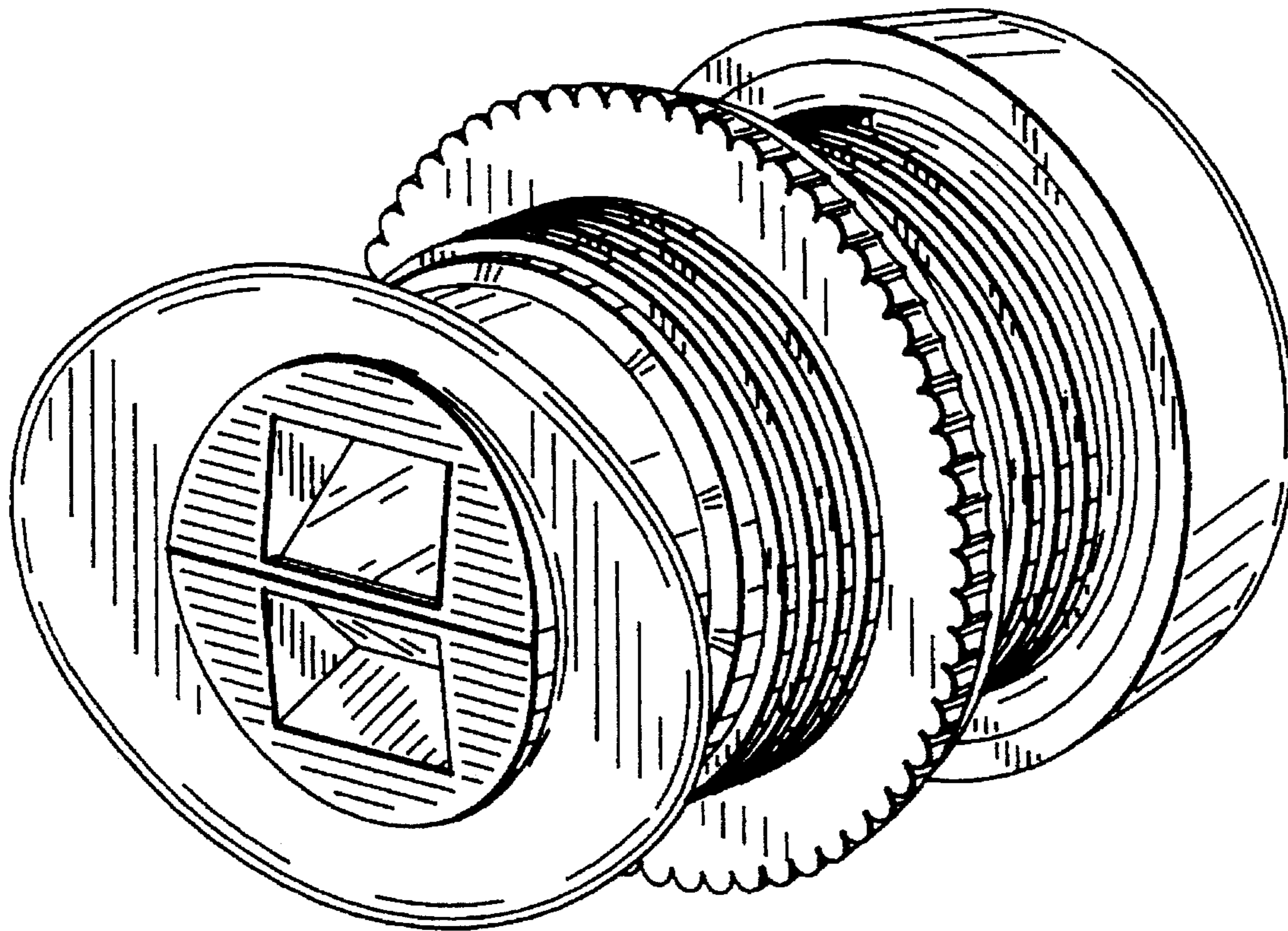
[57] **CLAIM**

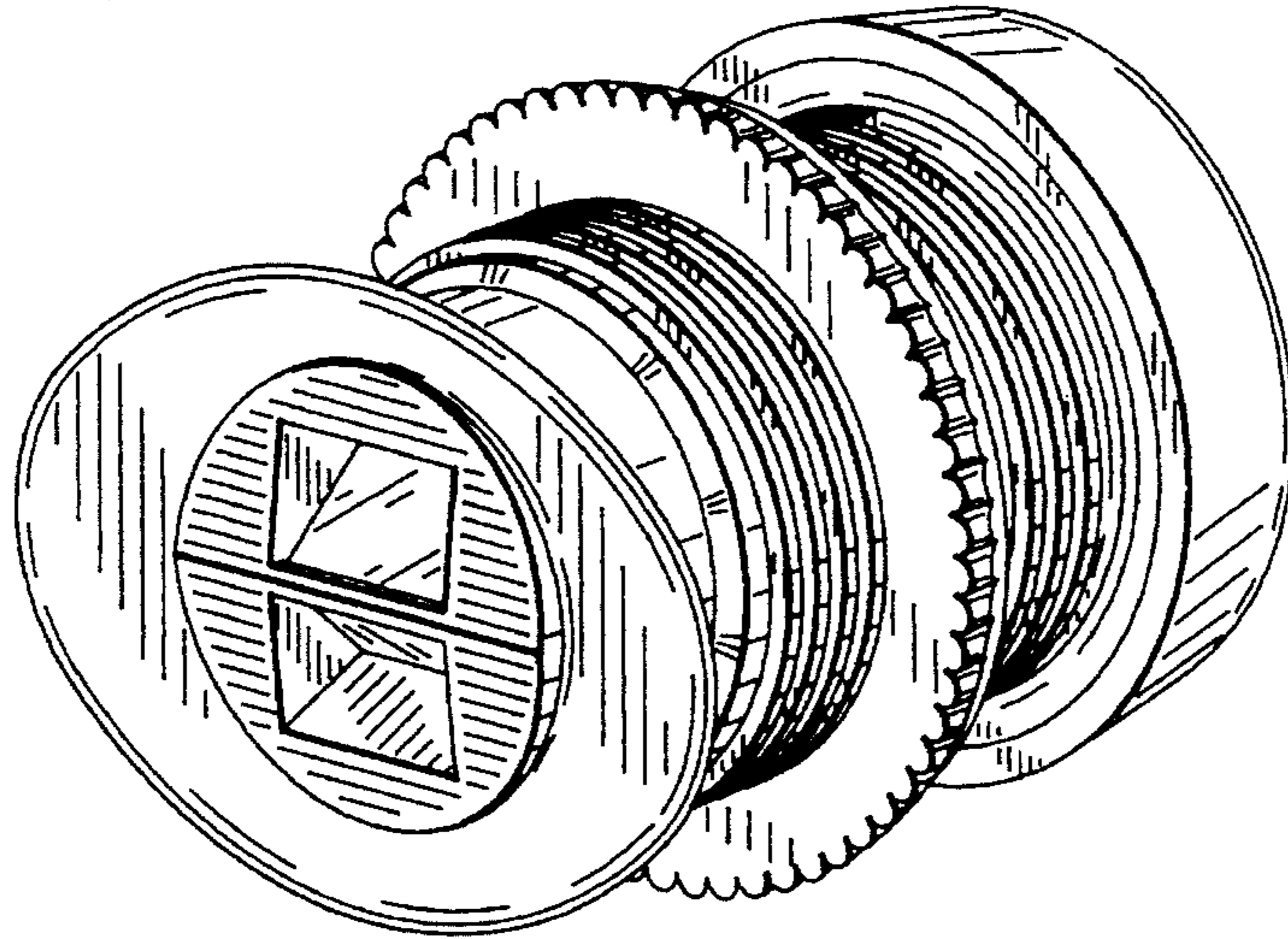
The ornamental design of a door viewer, as shown and described.

**DESCRIPTION**

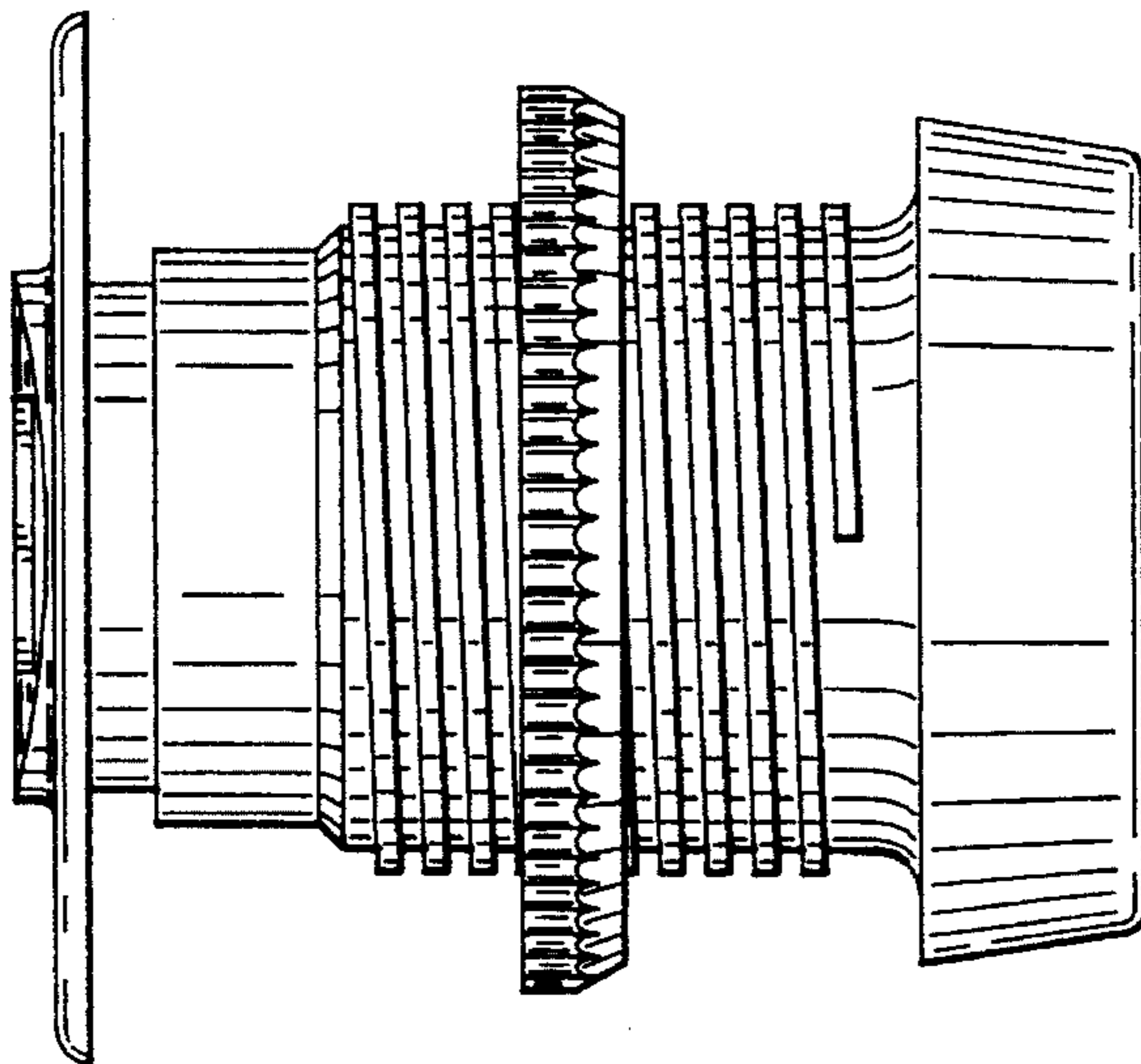
FIG. 1 is a perspective view of a door viewer showing my new design;  
FIG. 2 is a top plan view thereof;  
FIG. 3 is a bottom plan view thereof;  
FIG. 4 is a left side elevational view thereof;  
FIG. 5 is a right side elevational view thereof;  
FIG. 6 is a front elevational view thereof; and,  
FIG. 7 is a rear elevational view thereof.

**1 Claim, 3 Drawing Sheets**



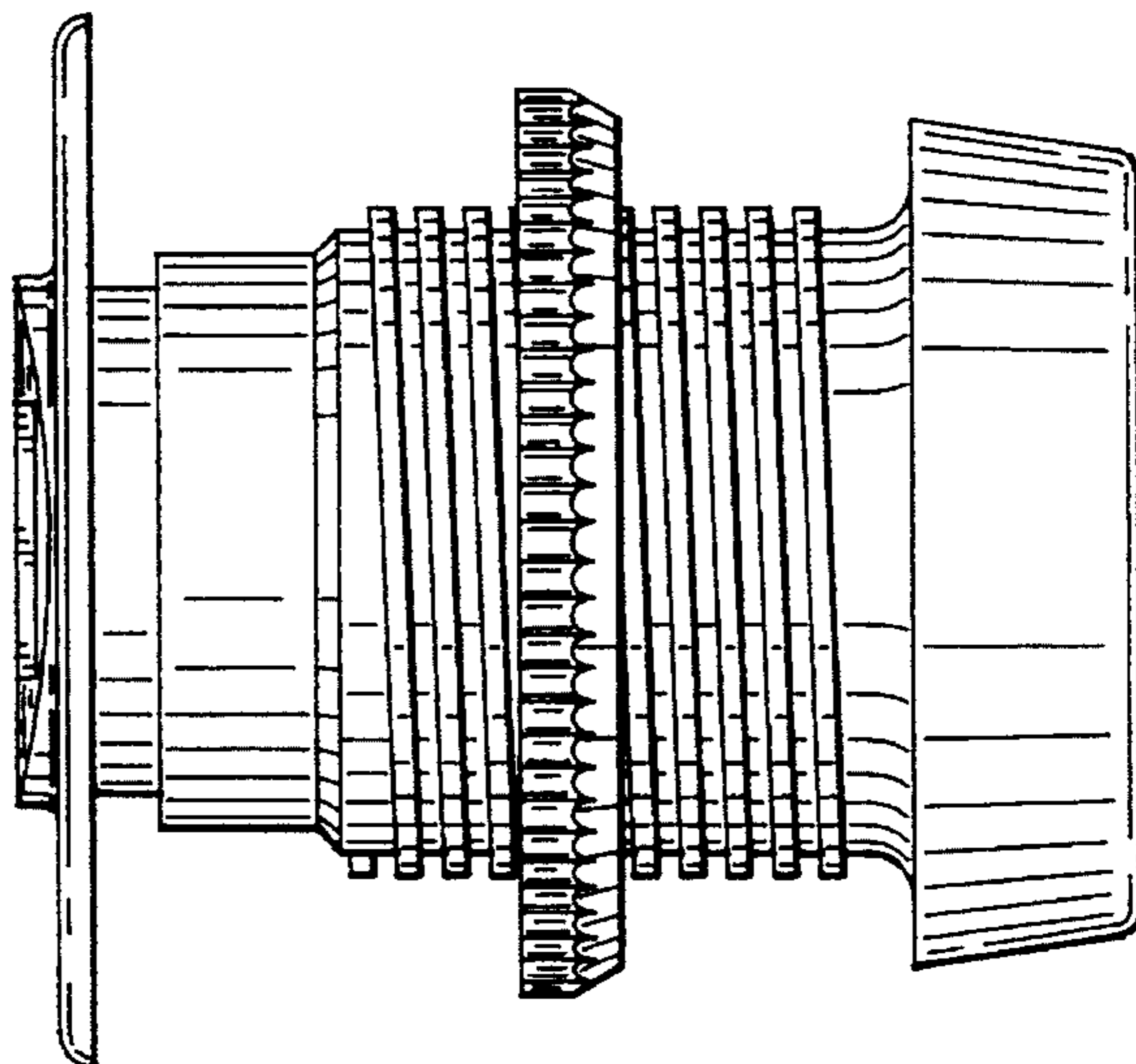


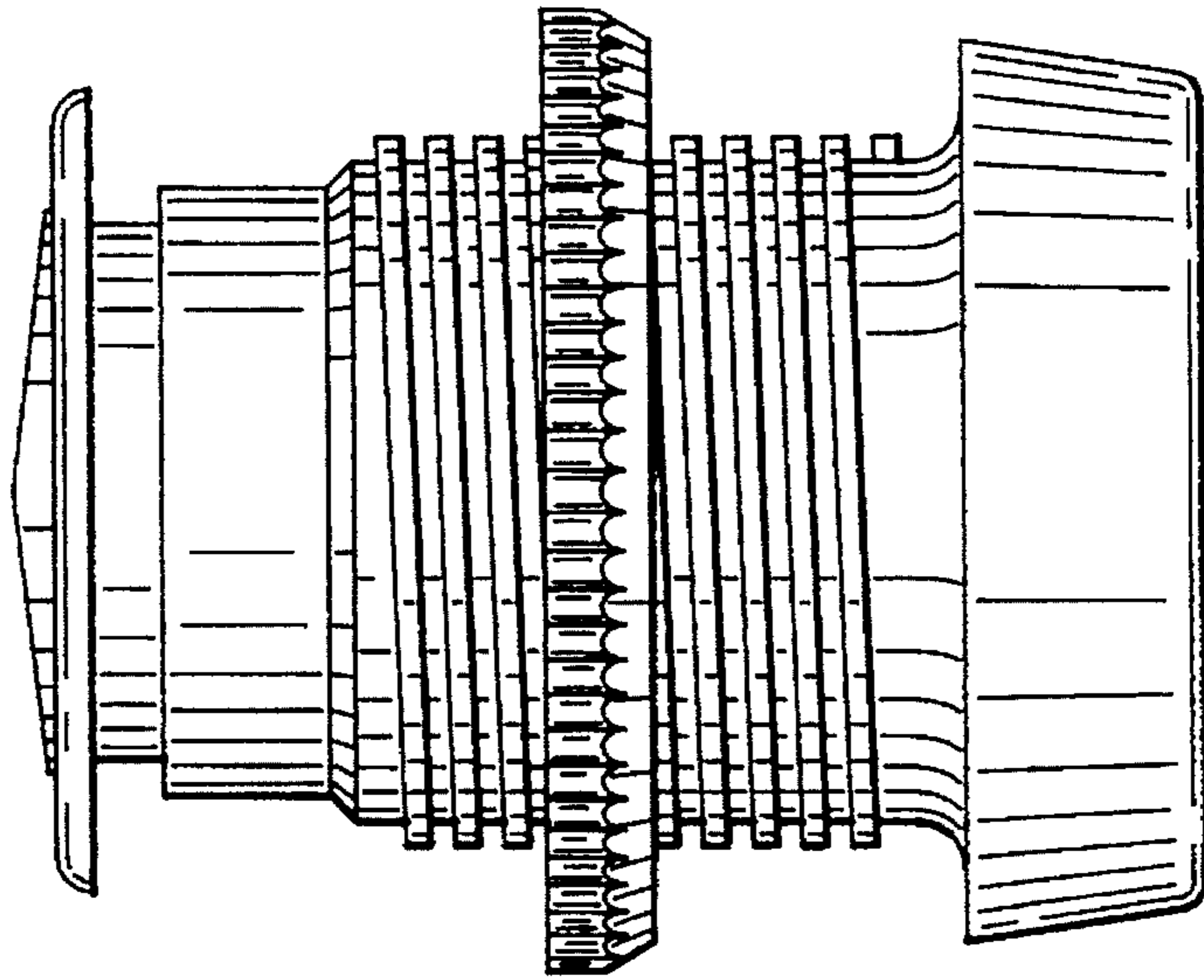
**FIG. 1**



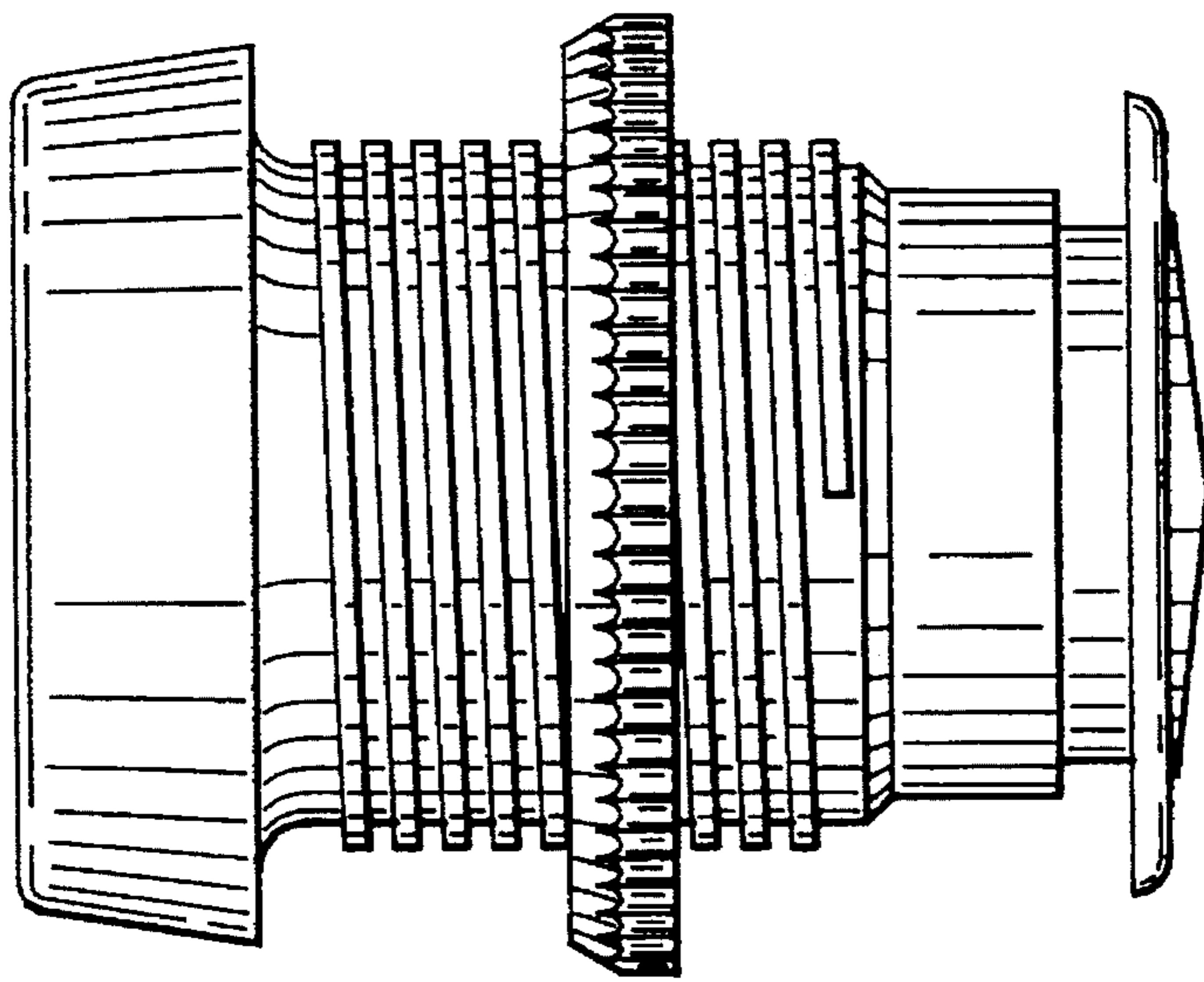
**FIG. 2**

**FIG. 3**

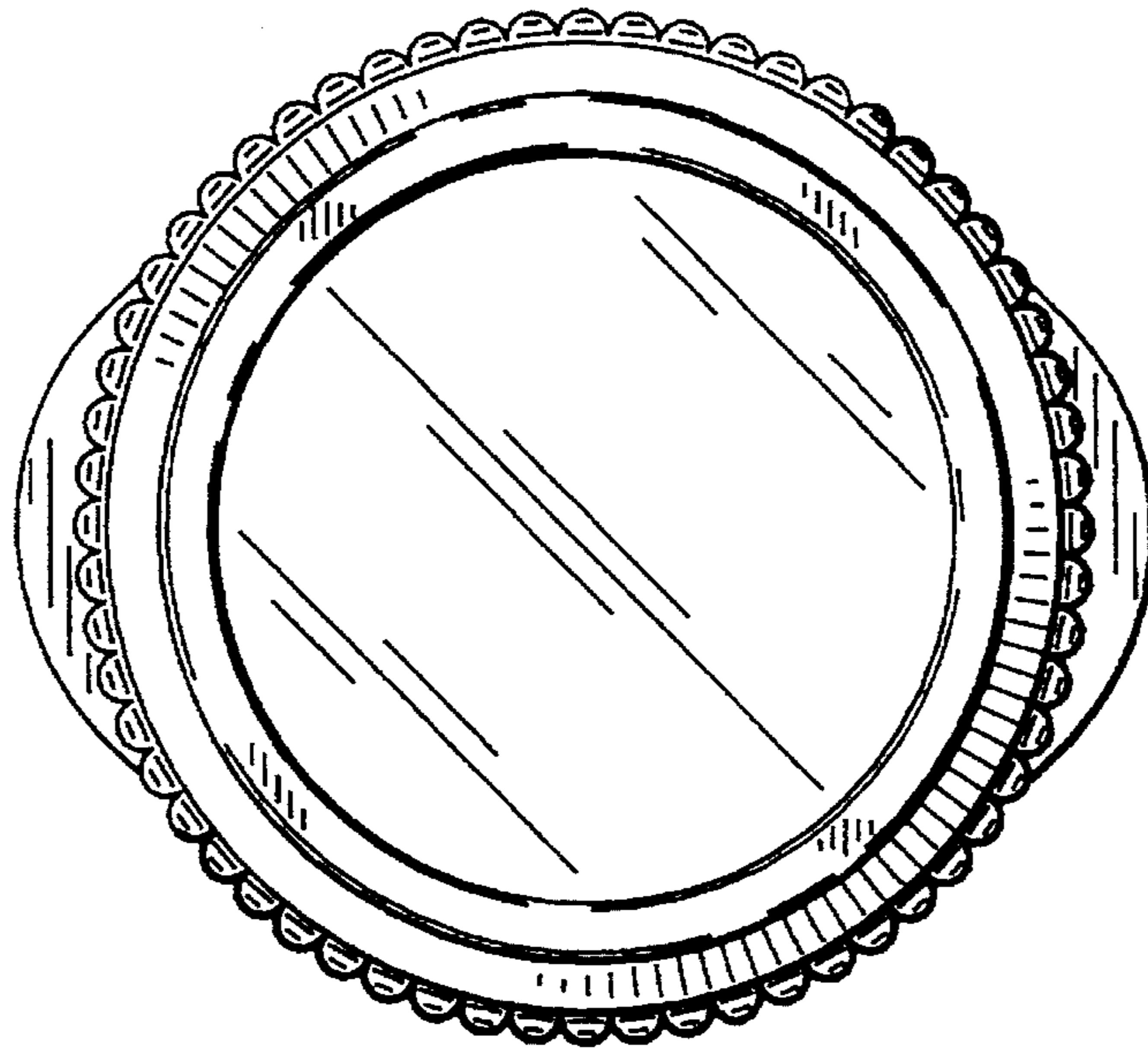




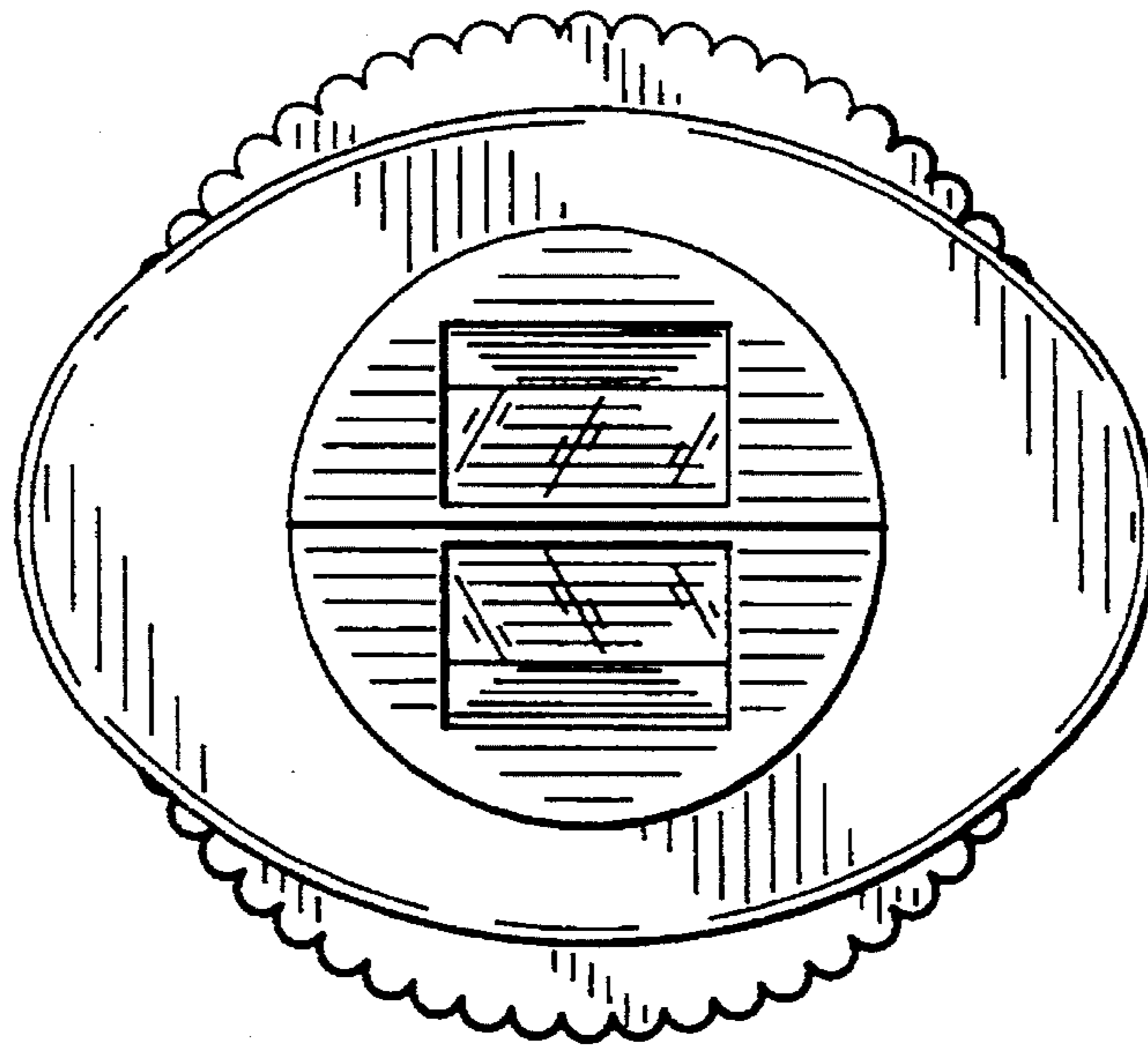
**FIG. 4**



**FIG. 5**



**FIG. 6**



**FIG. 7**