



US00D365832S

# United States Patent [19]

Miyahara et al.

[11] Patent Number: **Des. 365,832**

[45] Date of Patent: **\*\*Jan. 2, 1996**

[54] **BINOCULARS**

[75] Inventors: **Kazuhiko Miyahara; Hidefumi Notagashira; Toshimi Iizuka**, all of Yokohama, Japan

[73] Assignee: **Canon Kabushiki Kaisha**, Tokyo, Japan

[\*\*] Term: **14 Years**

[21] Appl. No.: **17,936**

[22] Filed: **Jan. 26, 1994**

[30] **Foreign Application Priority Data**

Jul. 28, 1993 [JP] Japan ..... 5-23159

[52] U.S. Cl. .... **D16/133**

[58] Field of Search ..... D16/133; 359/408-419, 359/421, 422, 579, 554, 555, 556

[56] **References Cited**

**U.S. PATENT DOCUMENTS**

D. 259,569 6/1981 Nishioka ..... D16/133

D. 299,724	2/1989	Aoki .....	D16/133
D. 306,606	3/1990	Yamanaka et al. ....	D16/133
D. 338,027	8/1993	Ushiyama .....	D16/133
D. 353,388	12/1994	Matsushita .....	D16/133
5,191,471	3/1993	Funathu .....	359/414

*Primary Examiner*—Doris V. Coles  
*Attorney, Agent, or Firm*—Fitzpatrick, Cella, Harper & Scinto

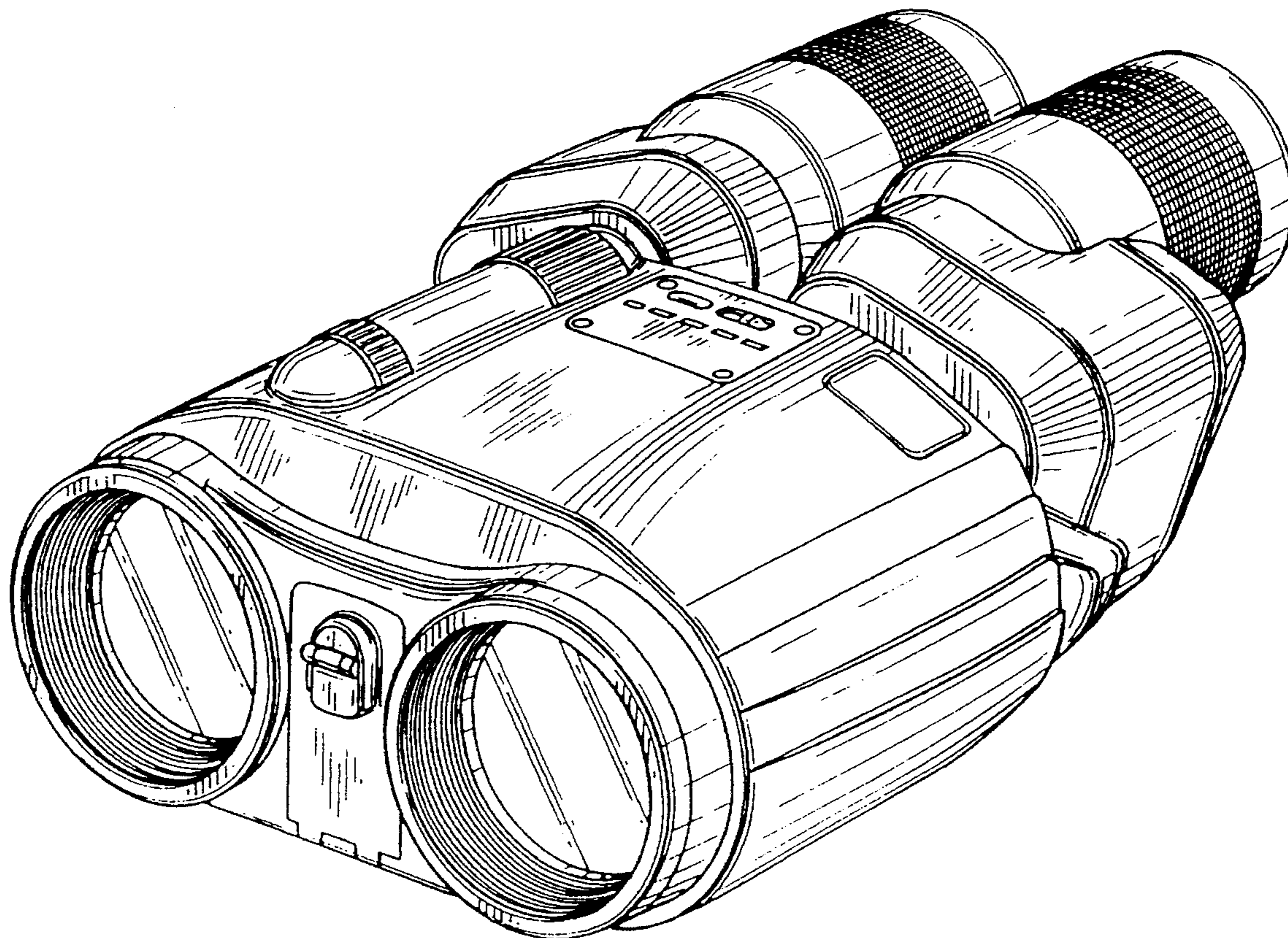
[57] **CLAIM**

The ornamental design for a binoculars, as shown and described.

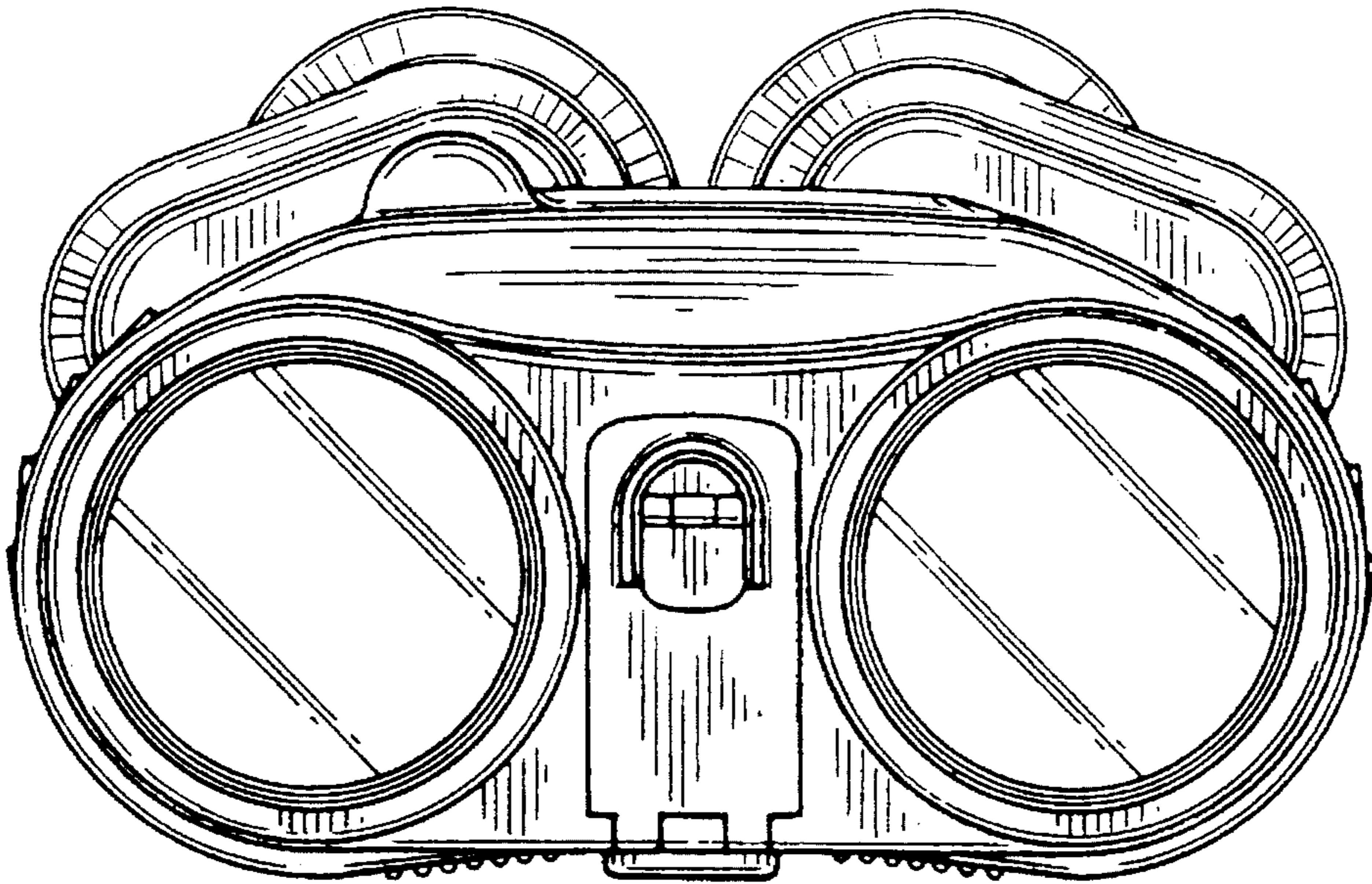
**DESCRIPTION**

FIG. 1 is a front elevational view of a binoculars showing our new design;  
FIG. 2 is a rear elevational view thereof;  
FIG. 3 is a top plan view thereof;  
FIG. 4 is a bottom plan view thereof;  
FIG. 5 is a left side elevational view thereof;  
FIG. 6 is a right side elevational view thereof; and,  
FIG. 7 is a perspective view thereof.

**1 Claim, 5 Drawing Sheets**



*FIG. 1*



*FIG. 2*

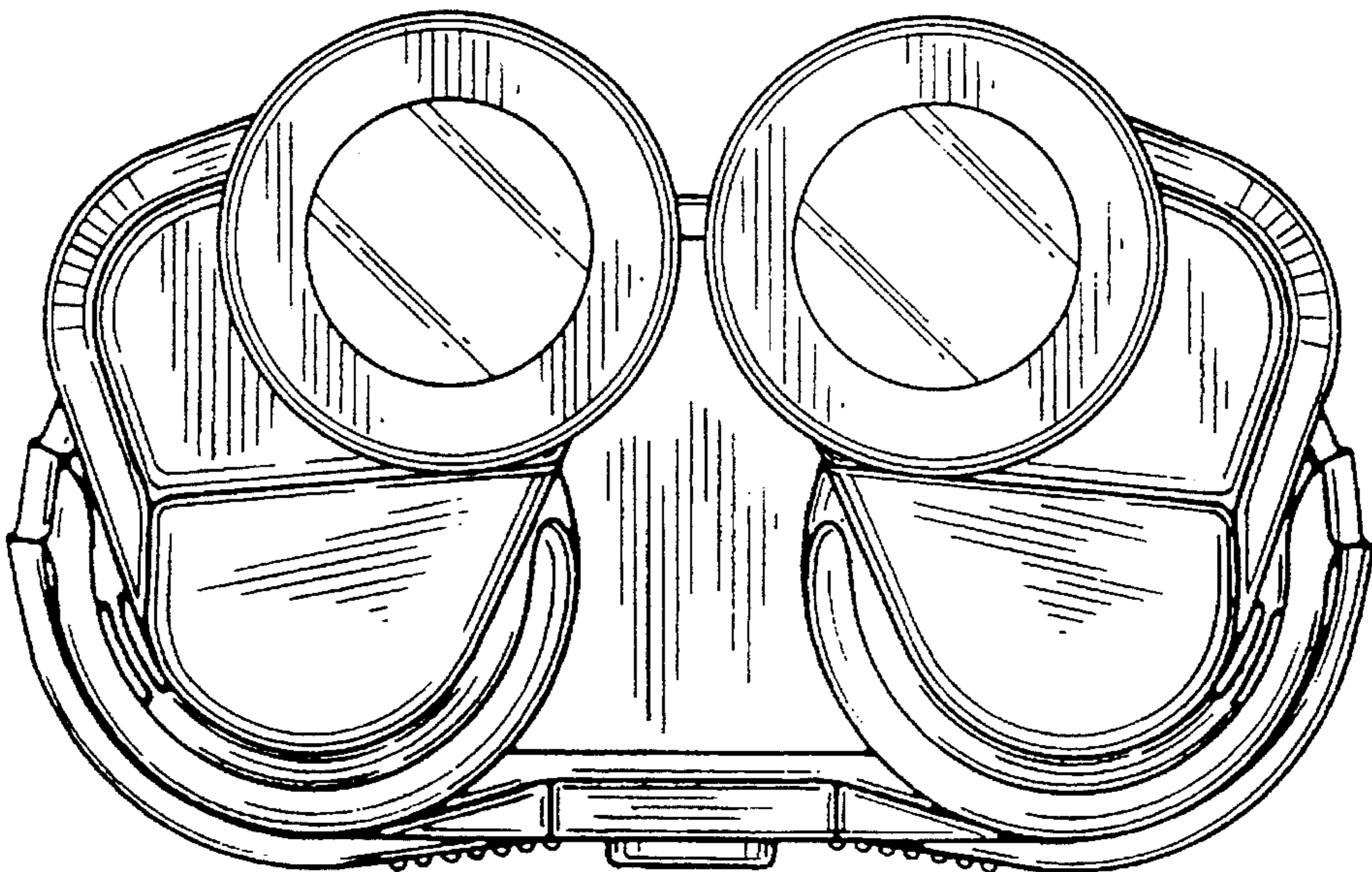


FIG. 3

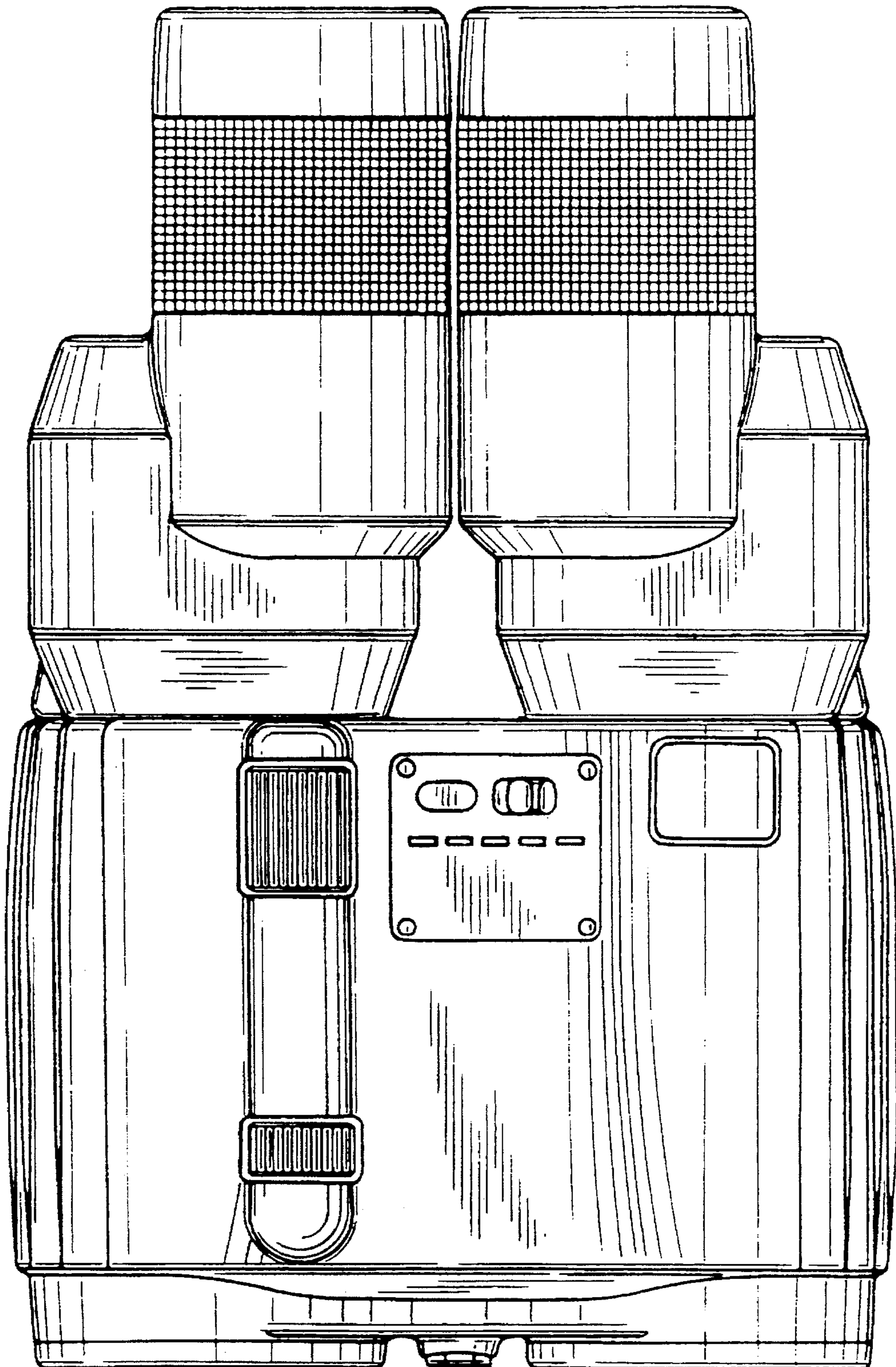
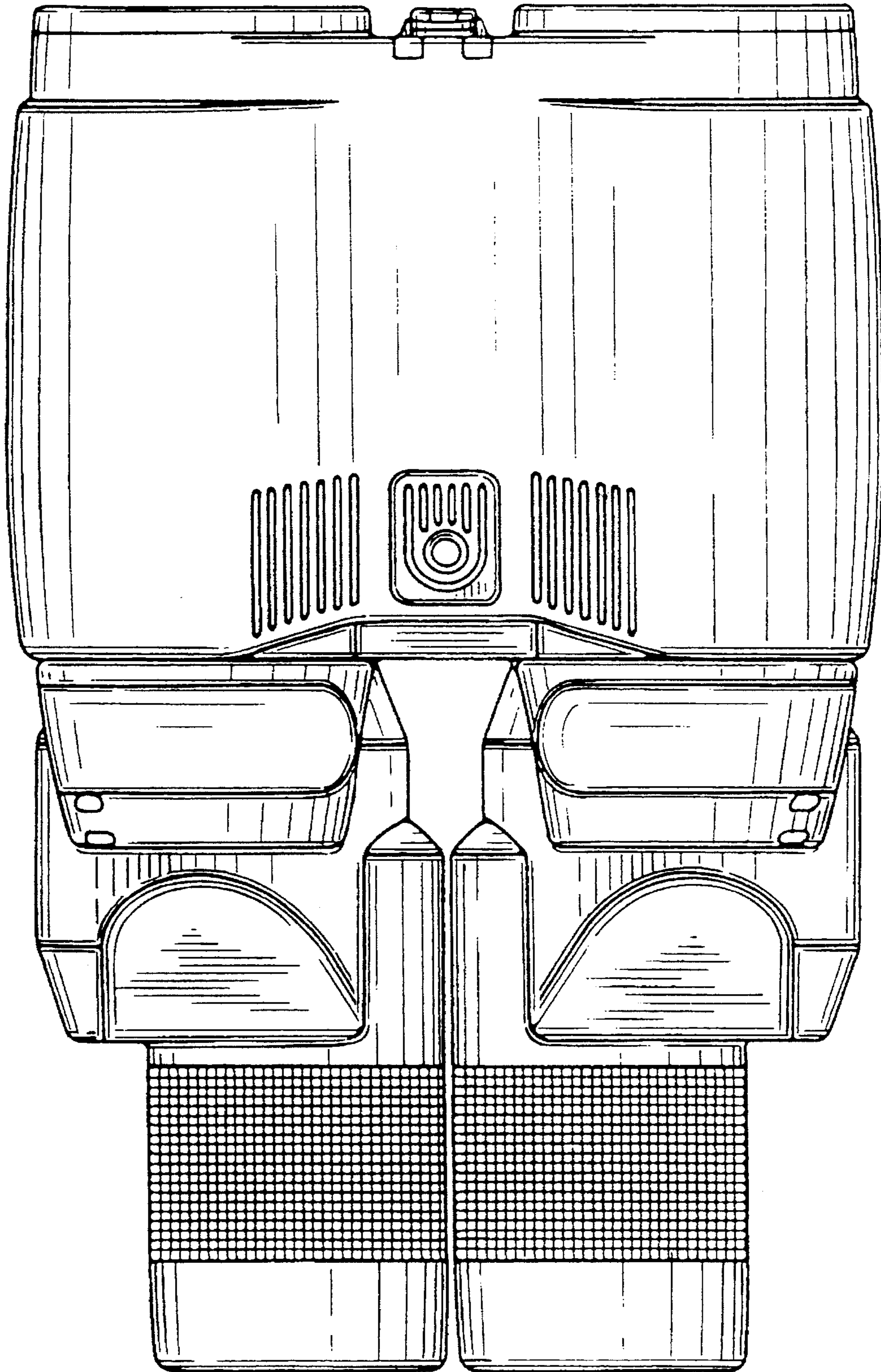


FIG. 4



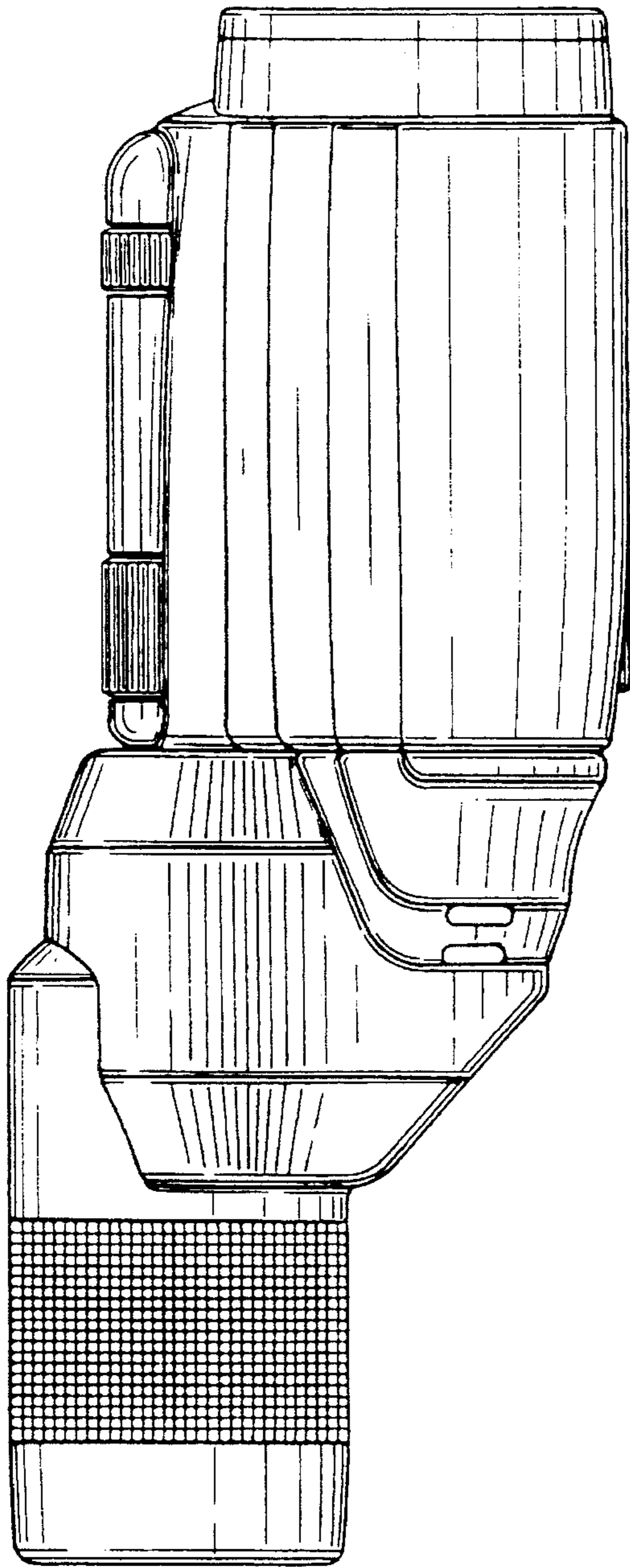


FIG. 5

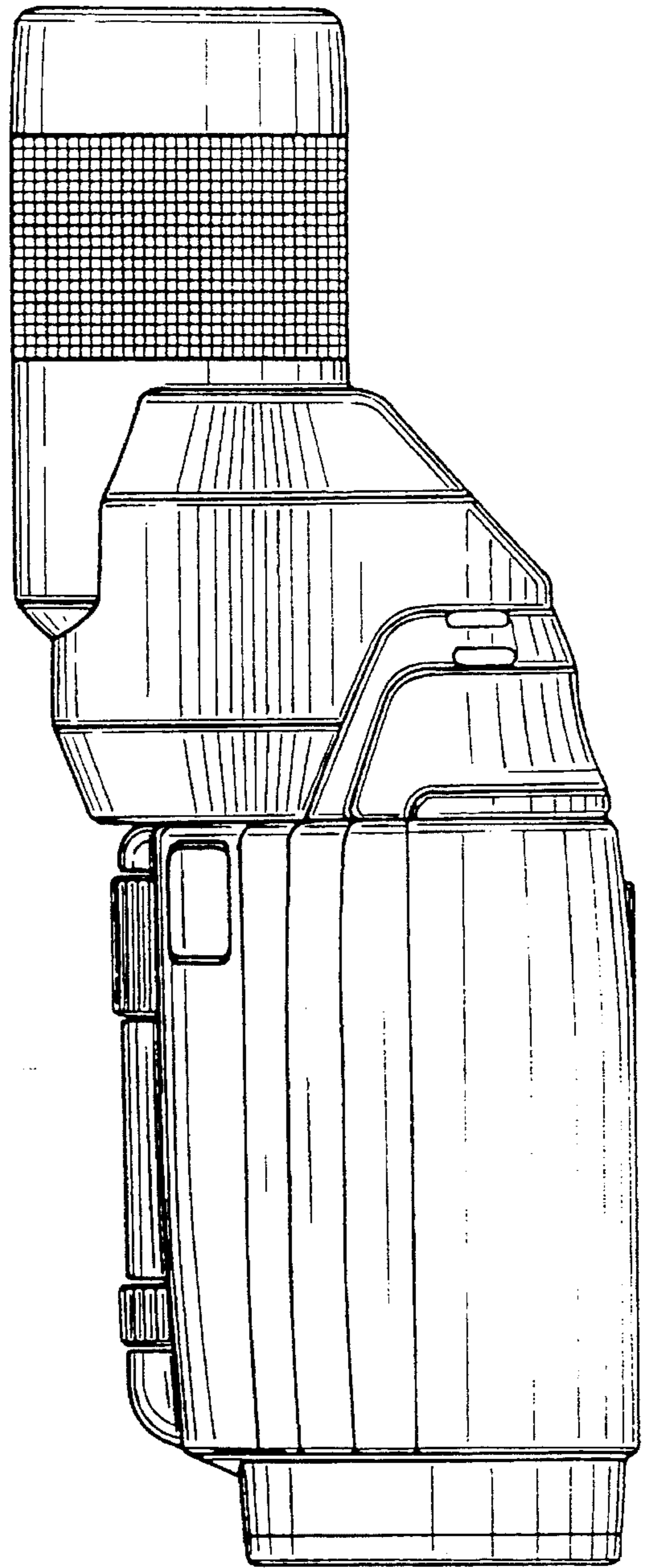


FIG. 6

FIG. 7

