



US00D365831S

United States Patent [19]

Miyahara et al.

[11] Patent Number: **Des. 365,831**

[45] Date of Patent: ****Jan. 2, 1996**

[54] **BINOCULARS**

[75] Inventors: **Kazuhiko Miyahara; Toshimi Iizuka; Hidefumi Notagashira**, all of Yokohama, Japan

[73] Assignee: **Canon Kabushiki Kaisha**, Tokyo, Japan

[**] Term: **14 Years**

[21] Appl. No.: **17,641**

[22] Filed: **Jan. 19, 1994**

[30] **Foreign Application Priority Data**

Jul. 22, 1993 [JP] Japan 5-22450

[52] U.S. Cl. **D16/133**

[58] Field of Search D16/133; 359/408-419, 359/421, 422, 579, 554, 555, 556

[56] **References Cited**

U.S. PATENT DOCUMENTS

D. 259,569 6/1981 Nishioka D16/133

D. 299,724	2/1989	Aoki	D16/133
D. 306,606	3/1990	Yamanaka et al.	D16/133
D. 338,027	8/1993	Ushiyama	D16/133
D. 353,388	12/1994	Matsushita	D16/133
5,191,471	3/1993	Funathu	359/414

Primary Examiner—Doris Coles
Attorney, Agent, or Firm—Fitzpatrick, Cella, Harper & Scinto

[57] **CLAIM**

The ornamental design for a binoculars, as shown and described.

DESCRIPTION

FIG. 1 is a front elevational view of a binoculars showing our new design;
FIG. 2 is a rear elevational view thereof;
FIG. 3 is a top plan view thereof;
FIG. 4 is a bottom plan view thereof;
FIG. 5 is a left side elevational view thereof;
FIG. 6 is a right side elevational view thereof; and,
FIG. 7 is a perspective view thereof.

1 Claim, 5 Drawing Sheets

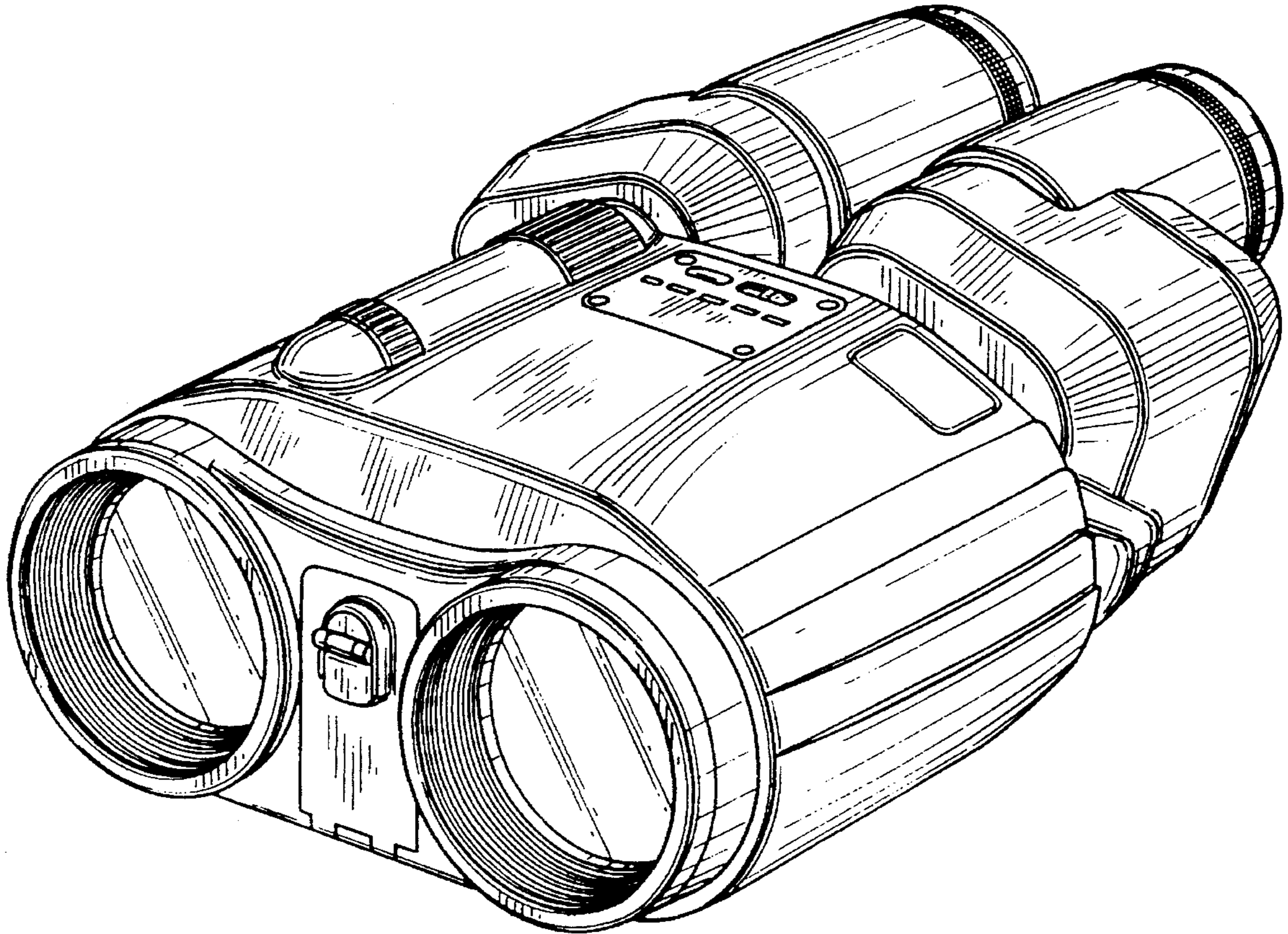


FIG. 1

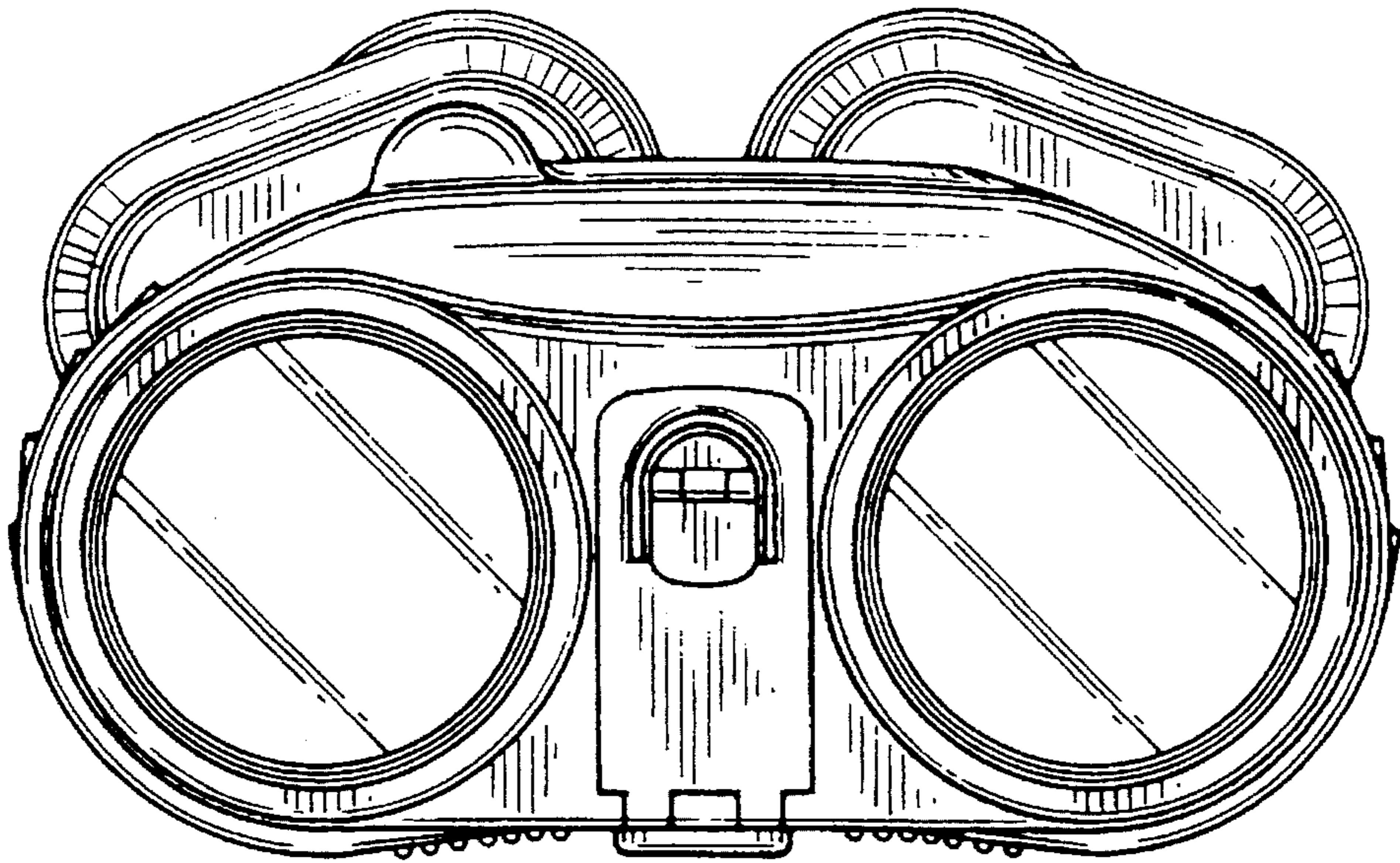


FIG. 2

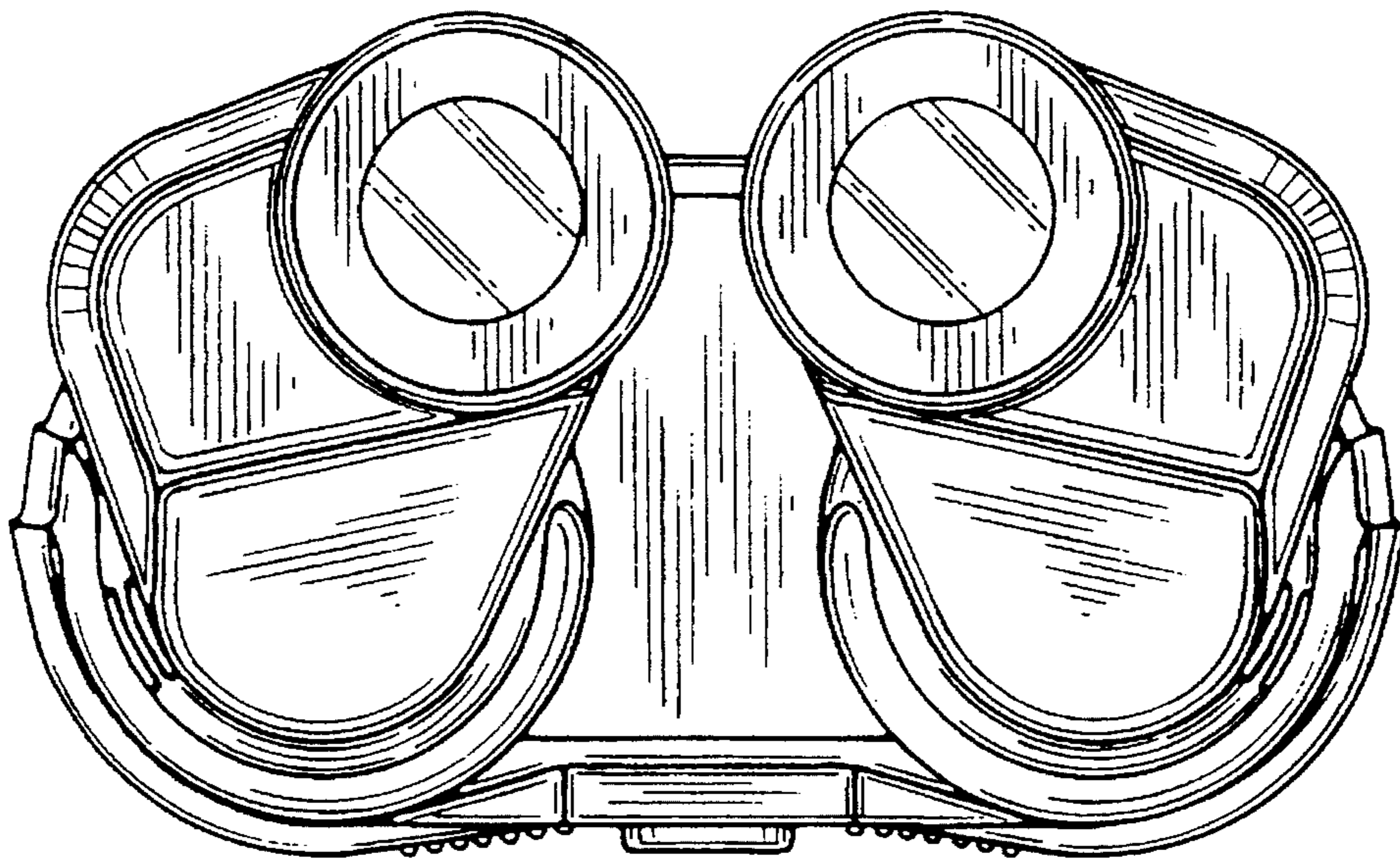


FIG. 3

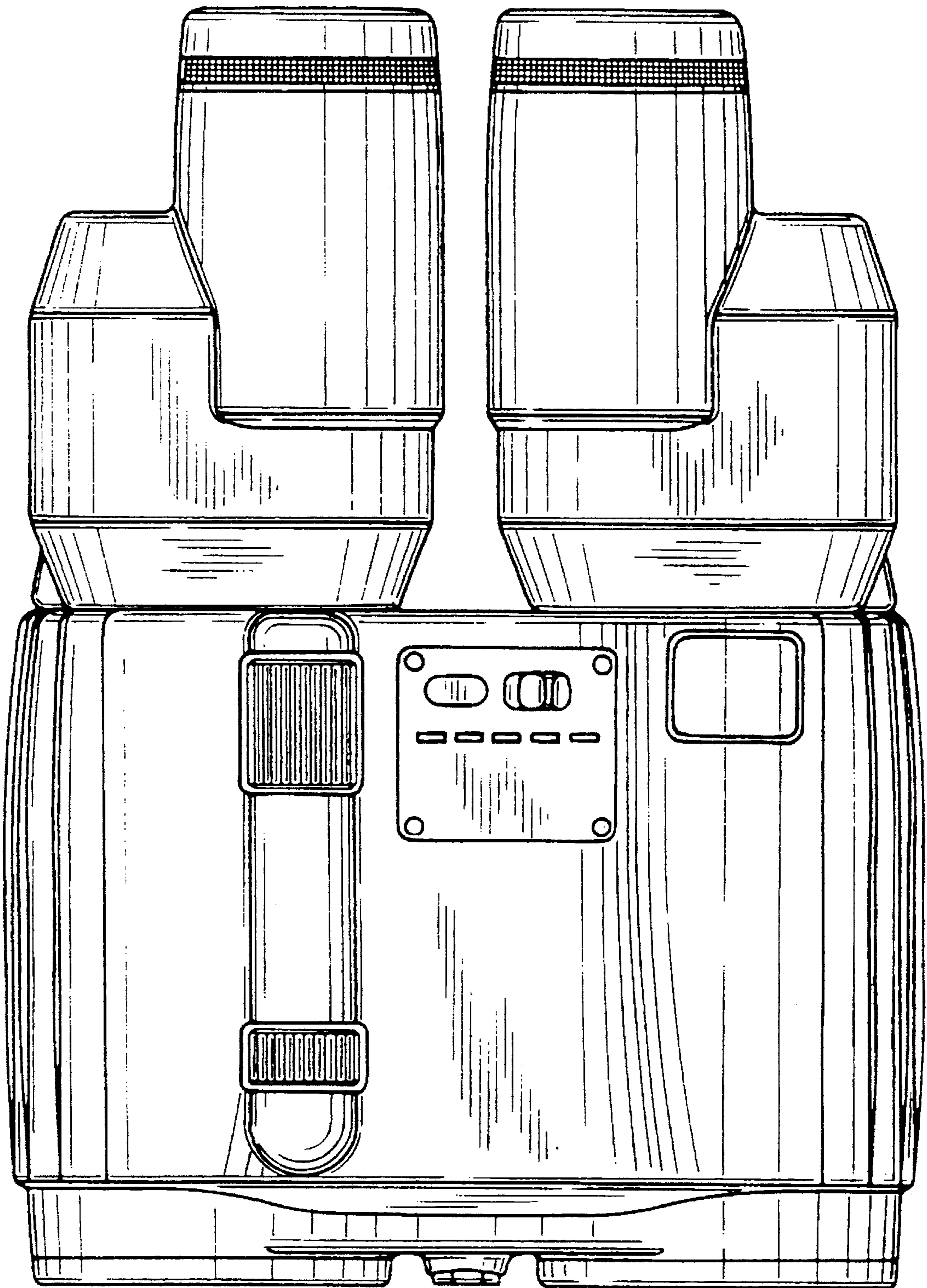
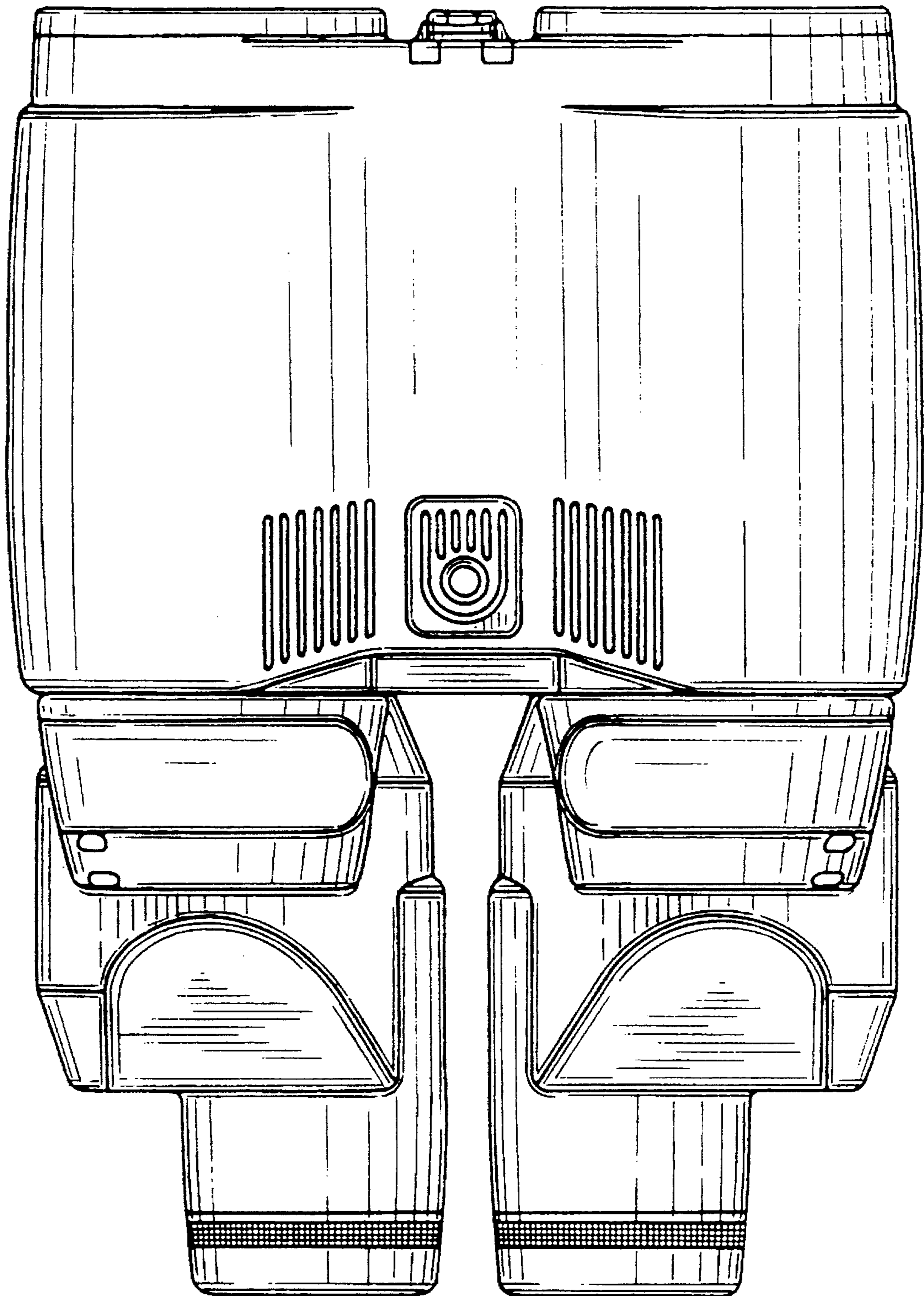


FIG. 4



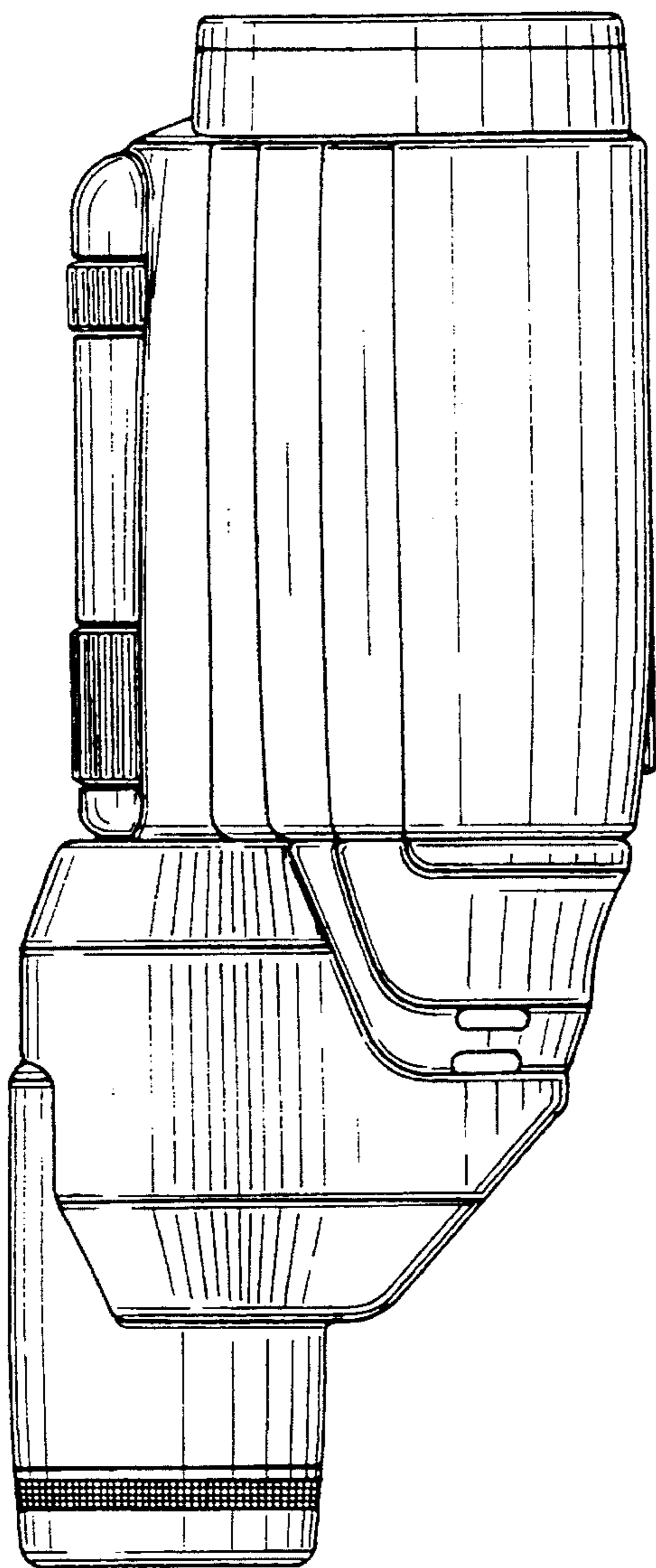


FIG. 5

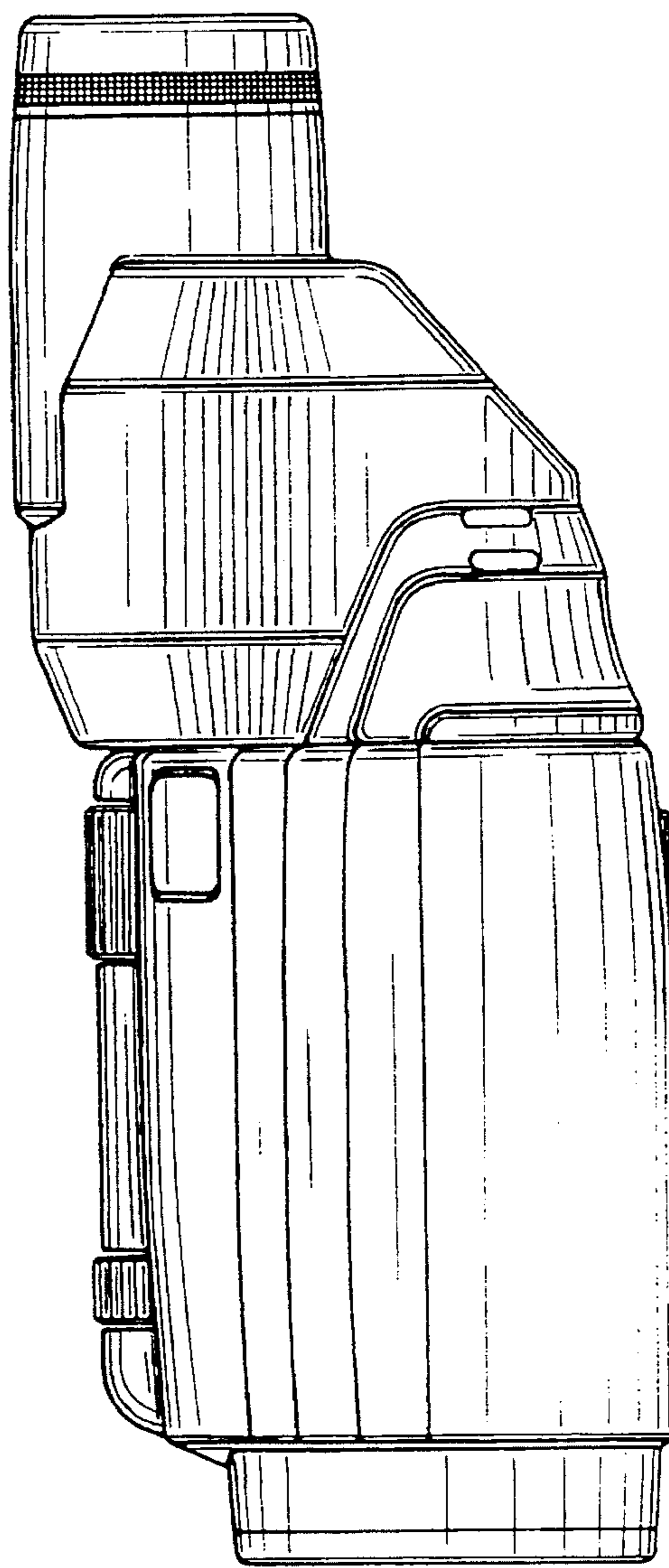


FIG. 6

FIG. 7

