



US00D365830S

**United States Patent** [19]

[11] **Patent Number: Des. 365,830**

**Hubbard et al.**

[45] **Date of Patent: \*\*Jan. 2, 1996**

[54] **FLUID DISPENSING MODULE FOR DISPENSING HEATED FLUIDS, SUCH AS HOT MELT ADHESIVES, SEALANTS, OR CAULKS**

Spraymation, Inc.; Electromatic XV, Solenoid Operated Extrusion Head & Spray Gun.

Spraymation, Inc.; Exclusive Electromatic Head.

Hot Melt Equipment Catalog, Jun., 1991, pp. i, 4-2, 5-1, 5-2, 7-3, 7-9, 7-13, and 9-1.

[75] Inventors: **Timothy M. Hubbard**, Canton; **Taiwo T. Osinaiya**, Stone Mountain; **Paula E. Ruse**, Norcross; **John T. Walsh**, Duluth, all of Ga.

*Primary Examiner*—Antoine Duval Davis

*Attorney, Agent, or Firm*—Raymond J. Slattery, III

[73] Assignee: **Nordson Corporation**, Westlake, Ohio

[\*\*] Term: **14 Years**

[57] **CLAIM**

The ornamental design for a fluid dispensing module for dispensing heated fluids, such as hot melt adhesives, sealants or caulks, as shown and described.

[21] Appl. No.: **30,473**

**DESCRIPTION**

[22] Filed: **Oct. 31, 1994**

**Related U.S. Application Data**

FIG. 1 is a front elevational view of a new design for a fluid dispensing module for dispensing heated fluids, such as hot melt adhesives, sealants or caulks;

[63] Continuation-in-part of Ser. No. 15,099, Nov. 8, 1993, Pat. No. D. 354,295.

FIG. 2 is a left side elevational view of the fluid dispensing module for dispensing heated fluids, such as hot melt adhesives, sealants or caulks of FIG. 1;

[52] **U.S. Cl.** ..... **D15/144.2**

FIG. 3 is a bottom plan view oriented according to FIG. 2; FIG. 4 is a rear, elevational view of the fluid dispensing module for dispensing heated fluids, such as hot melt adhesives, sealants or caulks of FIG. 1;

[58] **Field of Search** ..... D15/144, 144.1, D15/144.2, 145, 146; D23/43; 118/313, 302, 323, 697; 222/1, 146.5, 189, 482, 504; 239/415; 427/286, 288.2; 901/43

FIG. 5 is a top plan view, oriented according to FIG. 6;

[56] **References Cited**

FIG. 6 is the right side elevational view of the fluid dispensing module for dispensing heated fluids, such as hot melt adhesives, sealants or caulks of FIG. 1;

**U.S. PATENT DOCUMENTS**

D. 281,168	10/1985	Scholl et al. ....	D15/144
D. 354,295	1/1995	Walsh et al. .	
D. 354,296	1/1995	Walsh .	
3,518,968	7/1970	Barton et al. ....	118/323 X
5,375,738	12/1994	Walsh et al. .	

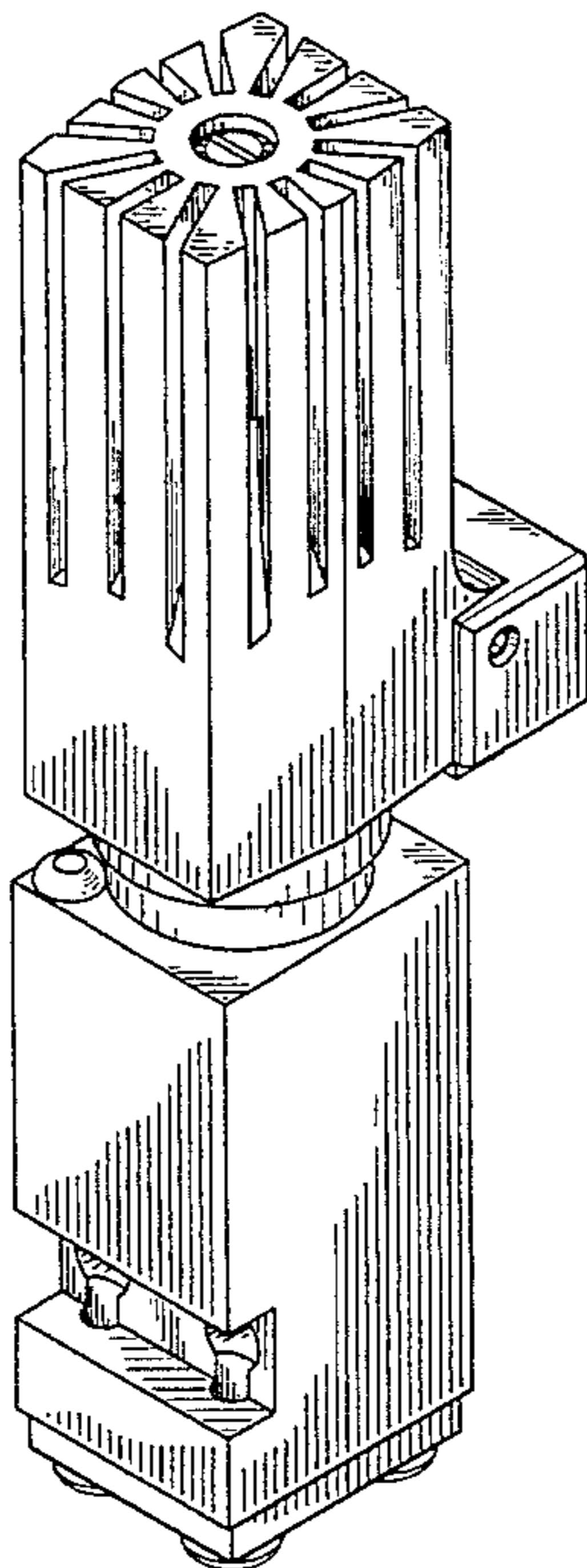
FIG. 7 is a rear perspective view of the fluid dispensing module for dispensing heated fluids, such as hot melt adhesives, sealants or caulks; and,

**OTHER PUBLICATIONS**

FIG. 8 is a frontal perspective view of the fluid dispensing module for dispensing heated fluids, such as hot melt adhesives, sealants or caulks.

Spraymation, Inc.; Thermopulse Electromatic V, Heated Solenoid Operated Dispensing Head.

**1 Claim, 3 Drawing Sheets**



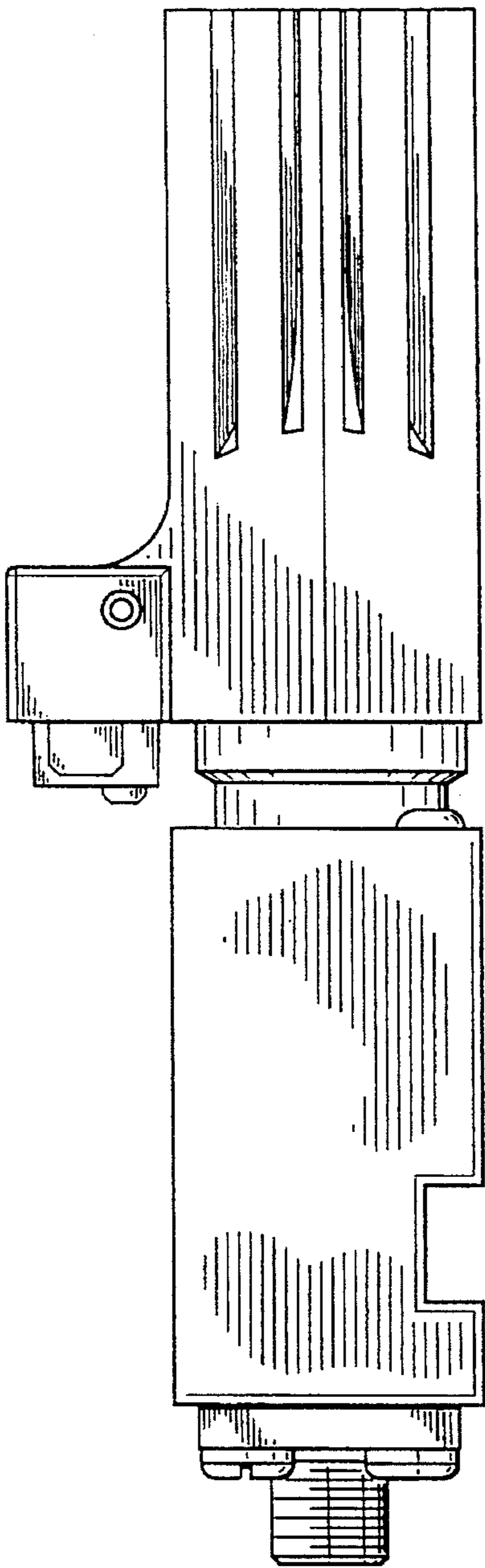


FIG-2

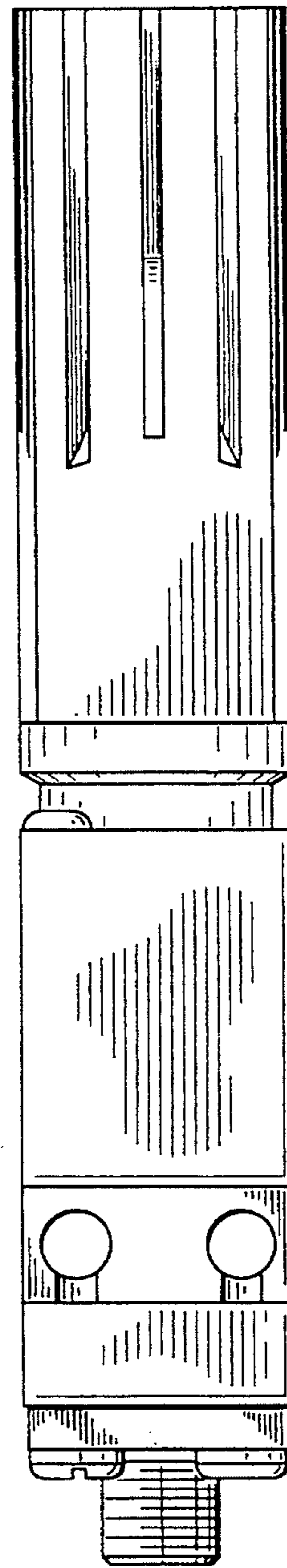


FIG-1

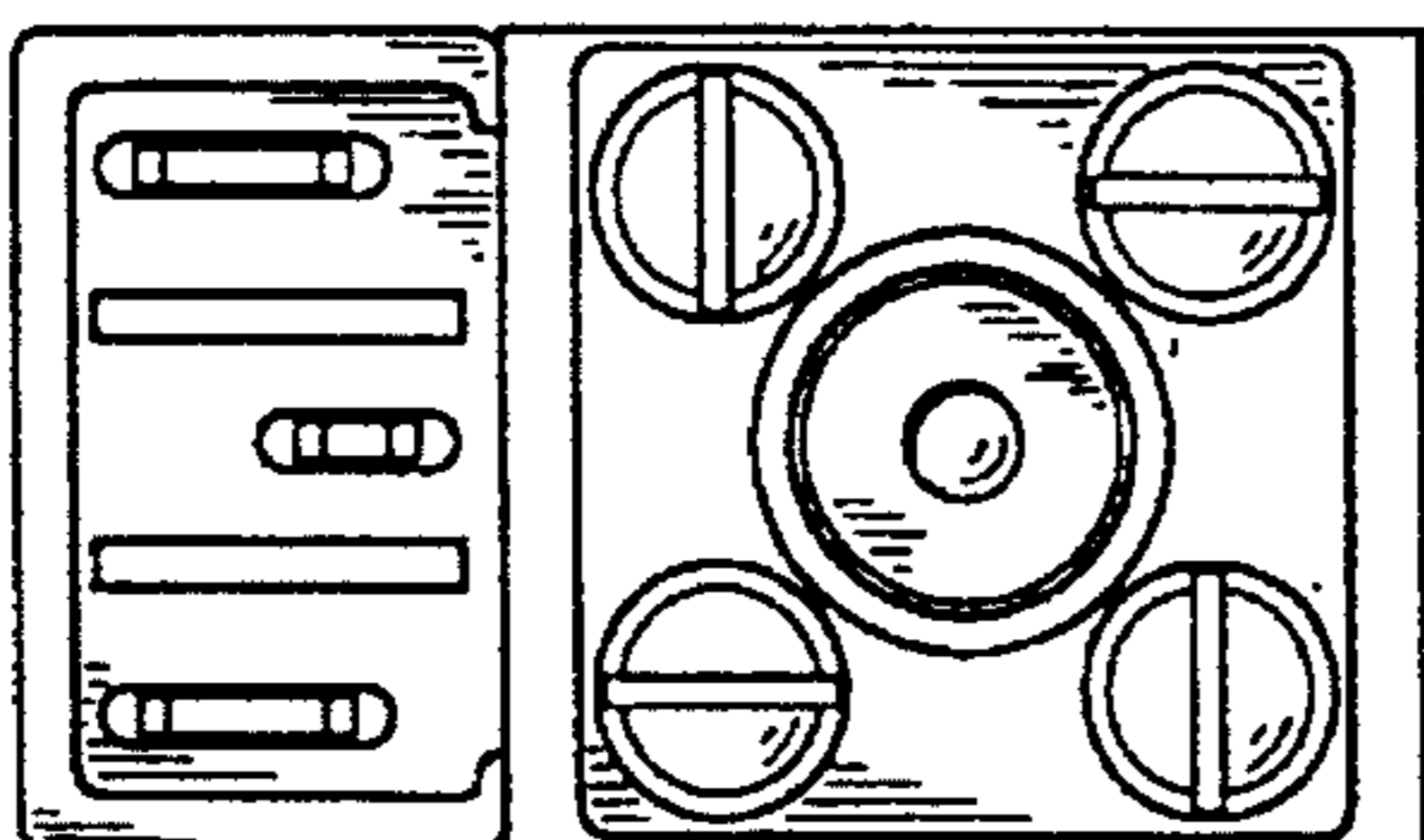


FIG-3

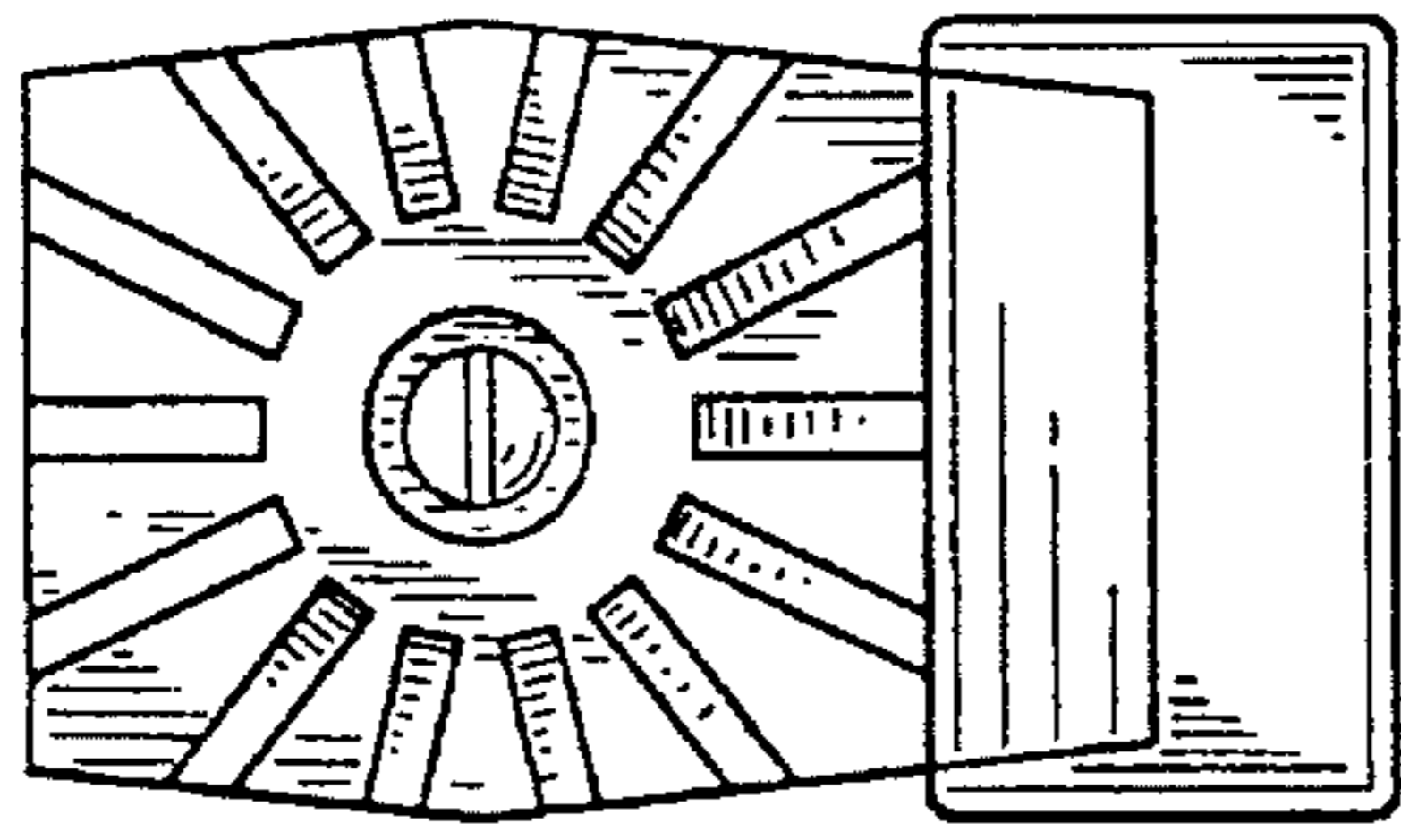


FIG-5

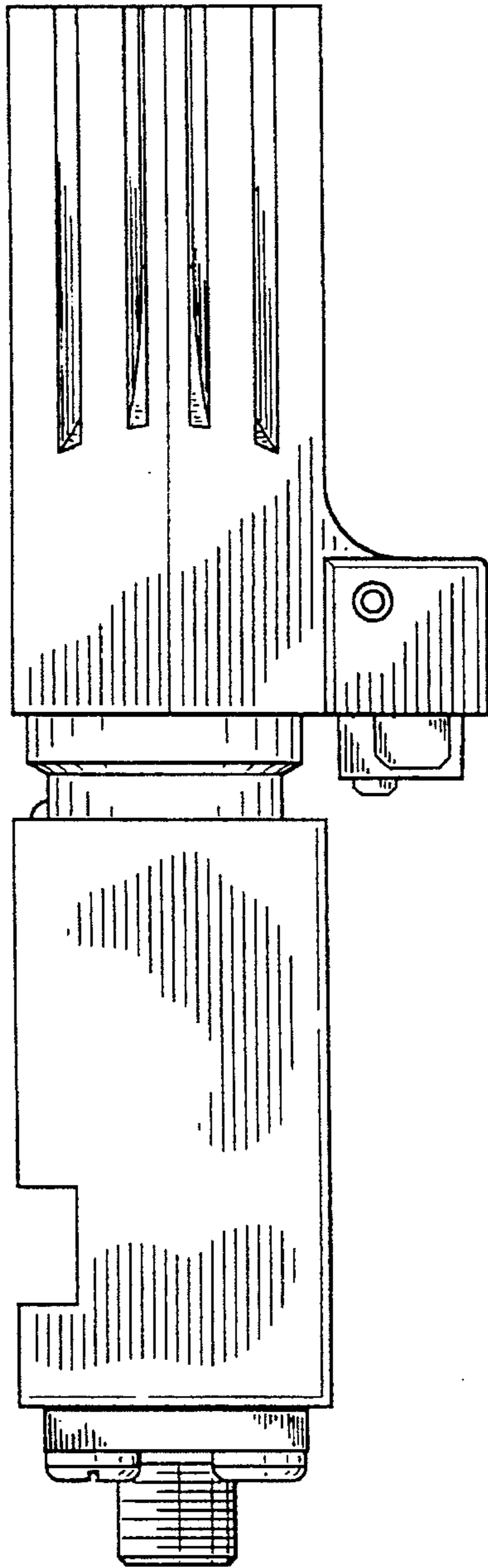


FIG-6

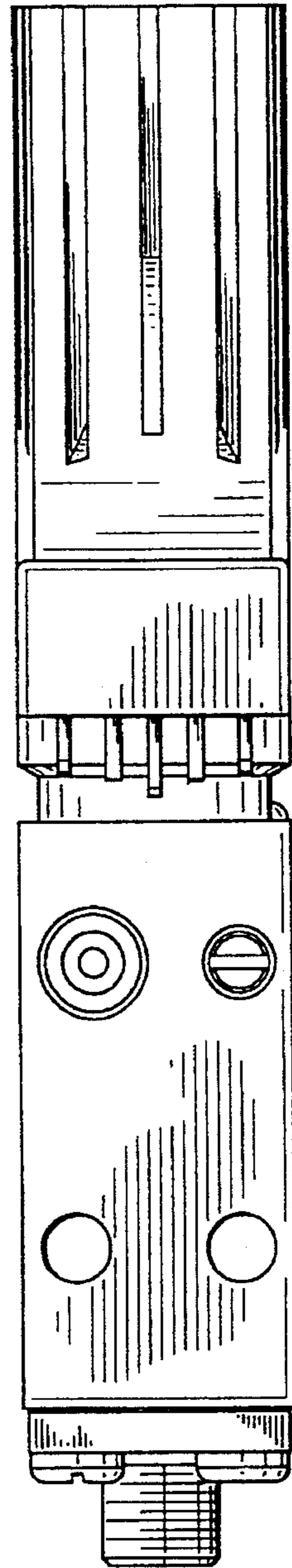


FIG-4

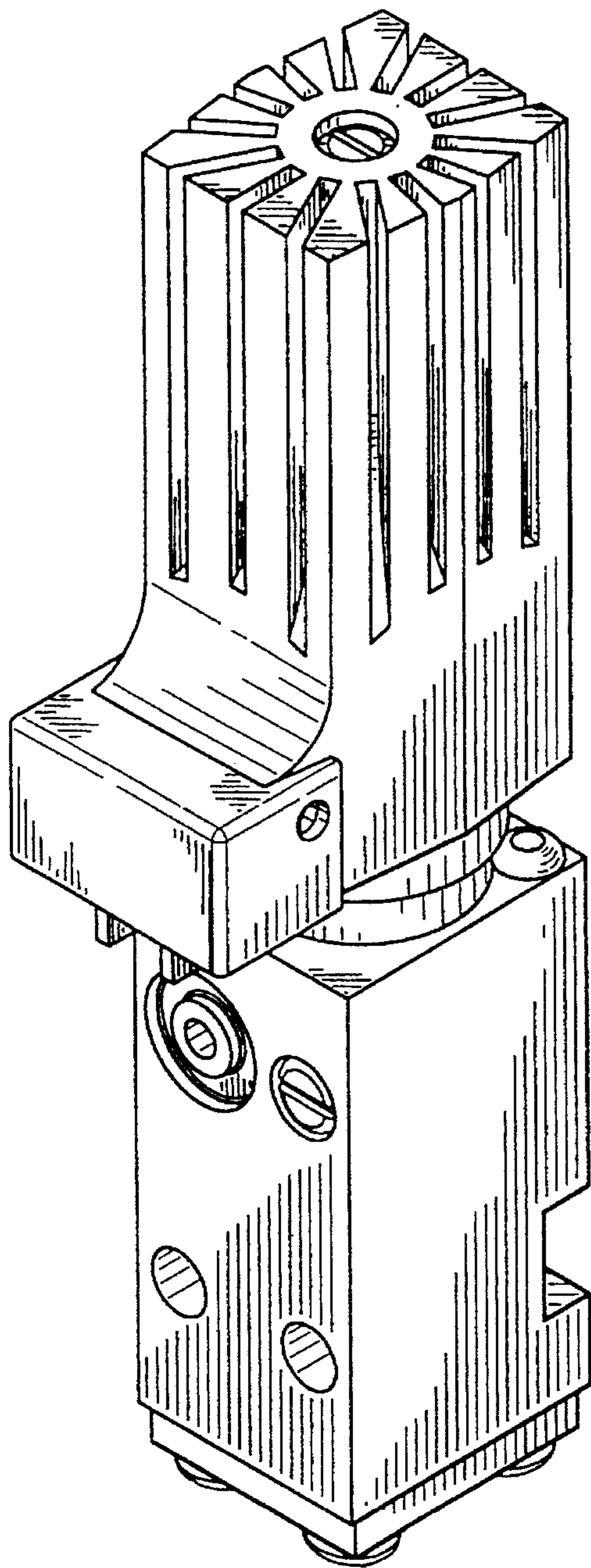


FIG-7

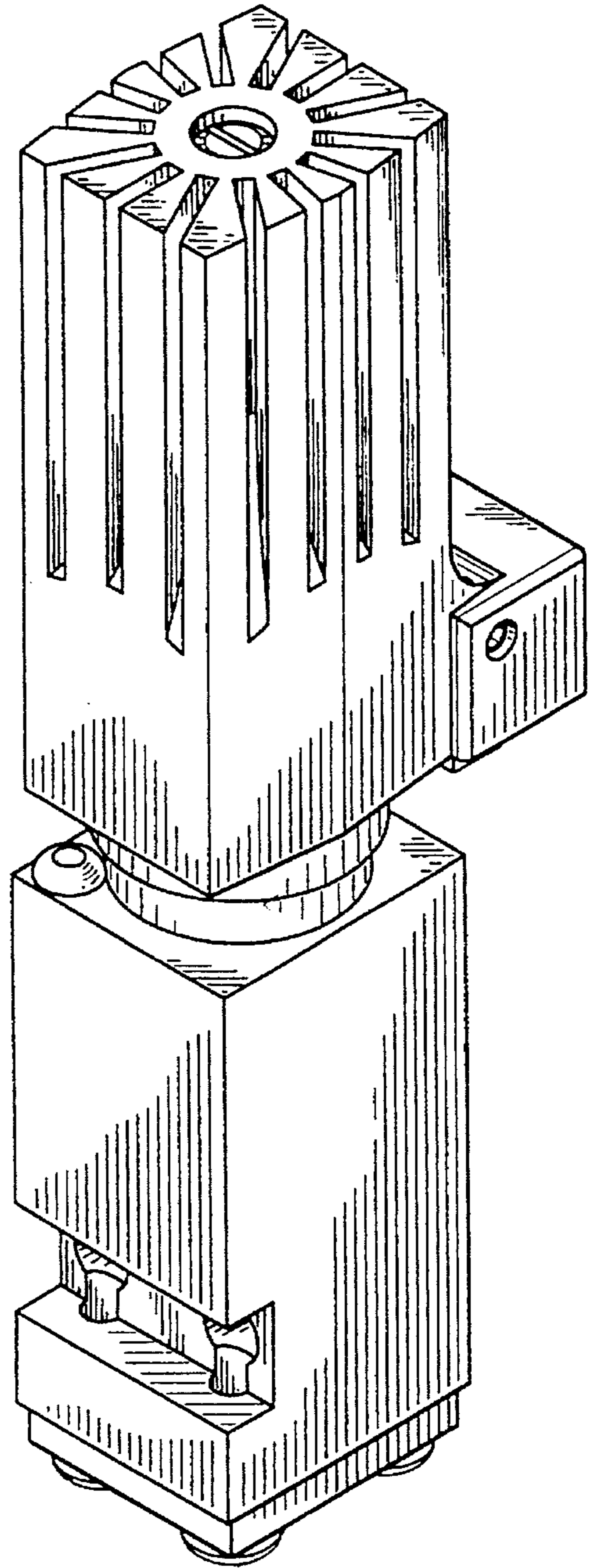


FIG-8