



US00D365828S

United States Patent [19]

[11] **Patent Number:** **Des. 365,828**

Lacewell et al.

[45] **Date of Patent:** ****Jan. 2, 1996**

[54] **REFRIGERATED DISPLAY CASE**

4,505,131 3/1985 Boxall 62/457.9

[75] Inventors: **Edward L. Lacewell**, Pontotoc; **Paul G. Thompson**, Ecu, both of Miss.

OTHER PUBLICATIONS

Foodservice Equipment Supplies Specialist Feb. 1993 p. 63
Silver King Frozen Treat display.

[73] Assignee: **Master-Bilt Products**, Pontotoc, Miss.

Primary Examiner—Sandra L. Morris
Attorney, Agent, or Firm—Baker, Donelson, Bearman & Caldwell

[**] Term: **14 Years**

[21] Appl. No.: **26,143**

[57] **CLAIM**

[22] Filed: **Jul. 20, 1994**

The ornamental design for a refrigerated display case, as shown and described.

[52] **U.S. Cl.** **D15/87**; D6/471

[58] **Field of Search** D6/470-472; D15/79,
D15/81, 82, 83, 84, 85; 62/444, 445, 457.3,
457.9; 312/114, 116, 117, 119, 138.1, 139.1,
204, 236

DESCRIPTION

FIG. 1 is a top, side perspective view of a refrigerated display case incorporating our new design;
FIG. 2 is a front elevational view of the display case shown in FIG. 1;
FIG. 3 is a top plan view thereof;
FIG. 4 is a bottom plan view thereof;
FIG. 5 is a left side elevational view thereof; and,
FIG. 6 is a right side elevational view thereof.

[56] **References Cited**

U.S. PATENT DOCUMENTS

D. 225,200	11/1972	Bressickello	D6/470
D. 278,193	4/1985	Boxall	D6/471
D. 301,585	6/1989	Linn	D6/471
D. 318,583	7/1991	Fevig et al.	D6/472
569,788	10/1896	Holmes	D15/83

1 Claim, 3 Drawing Sheets

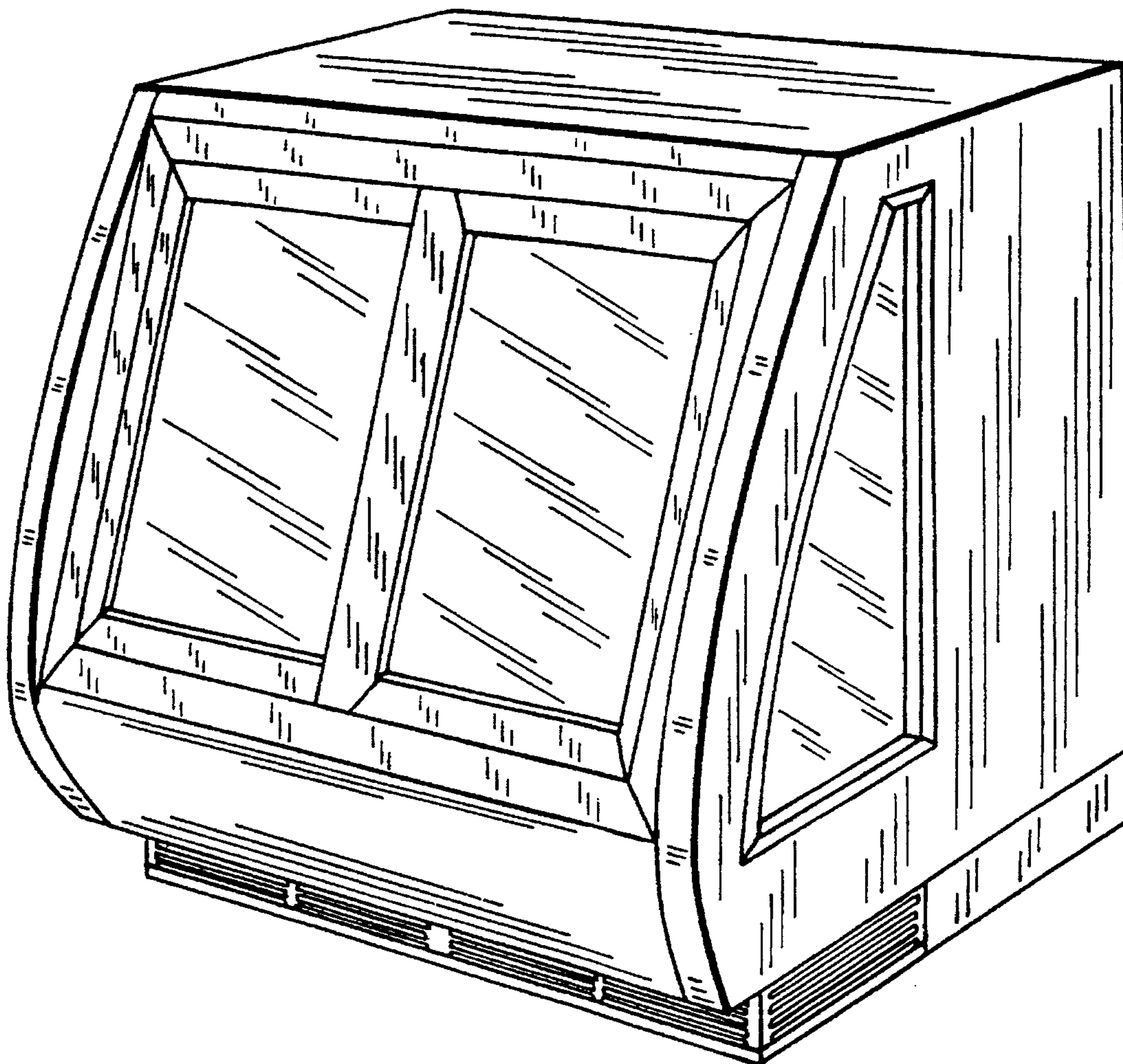


FIG. 1

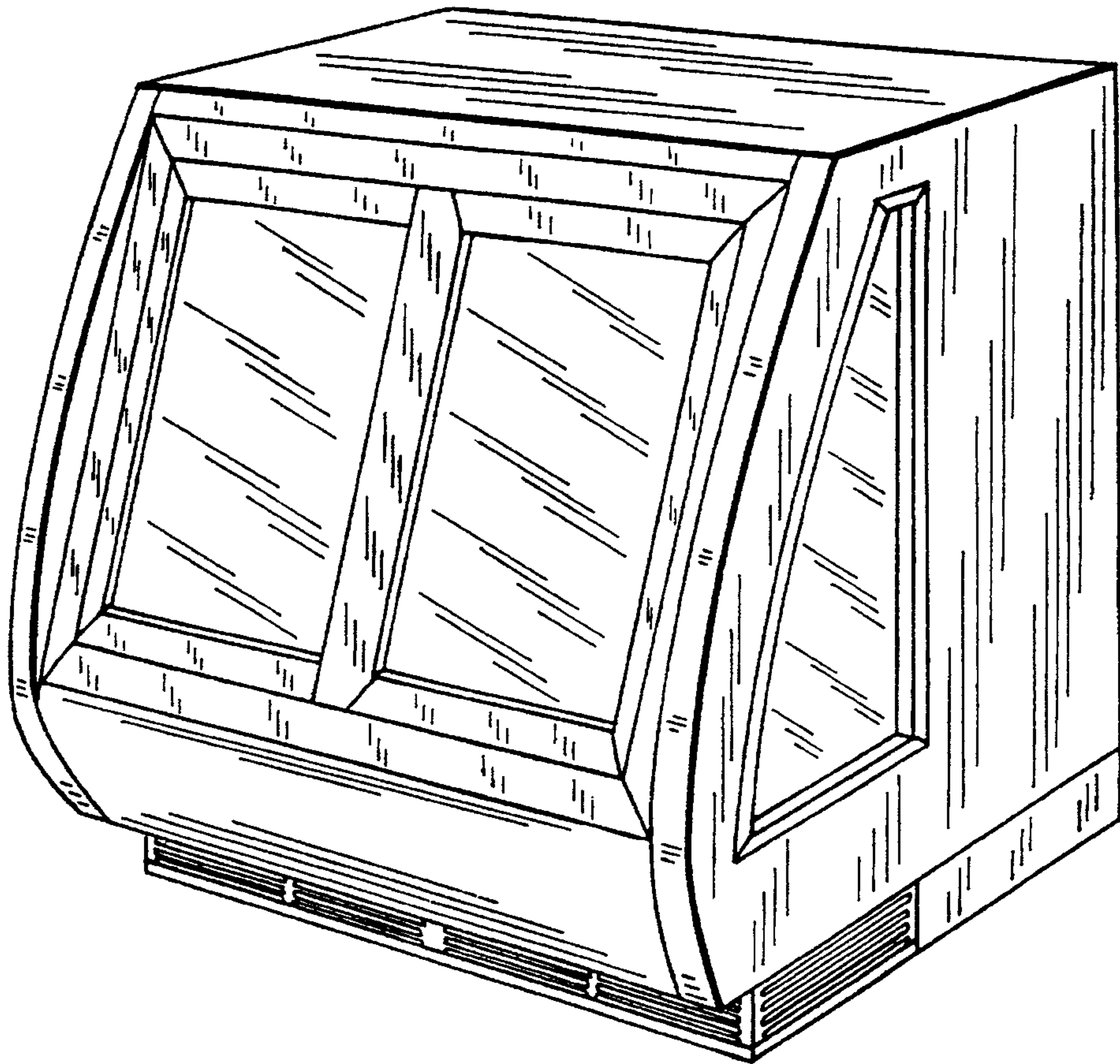


FIG. 2

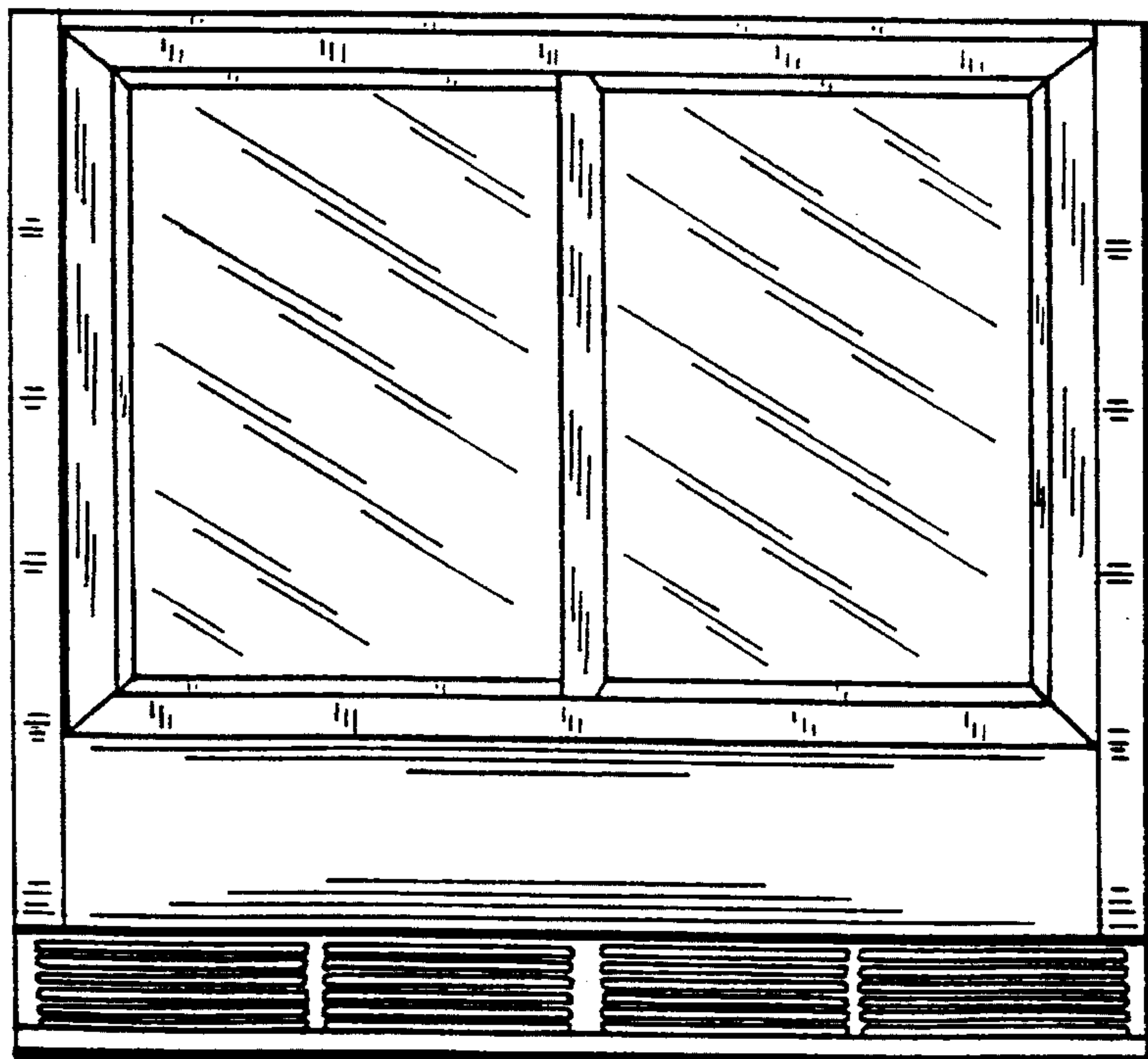


FIG. 3

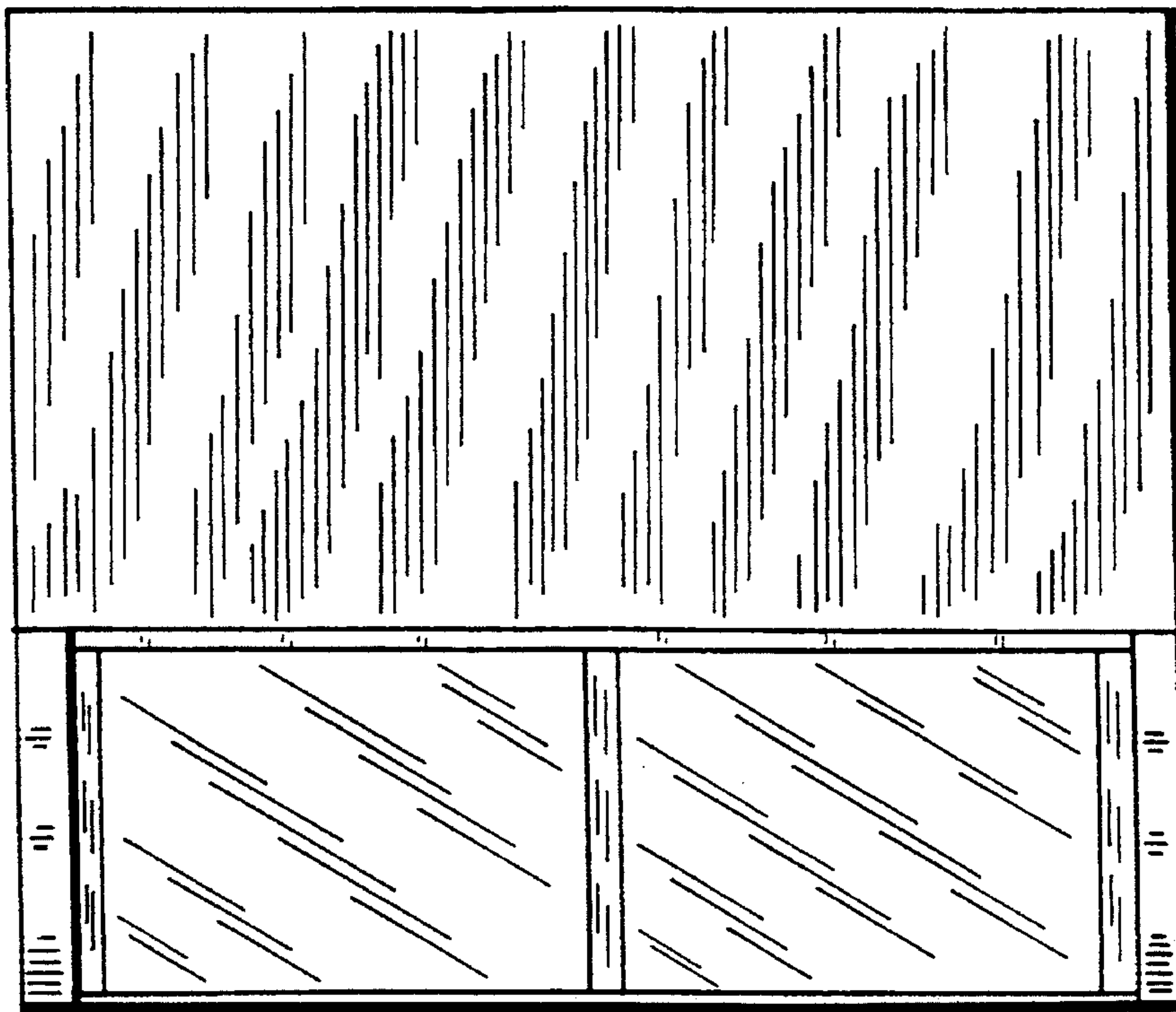


FIG. 4

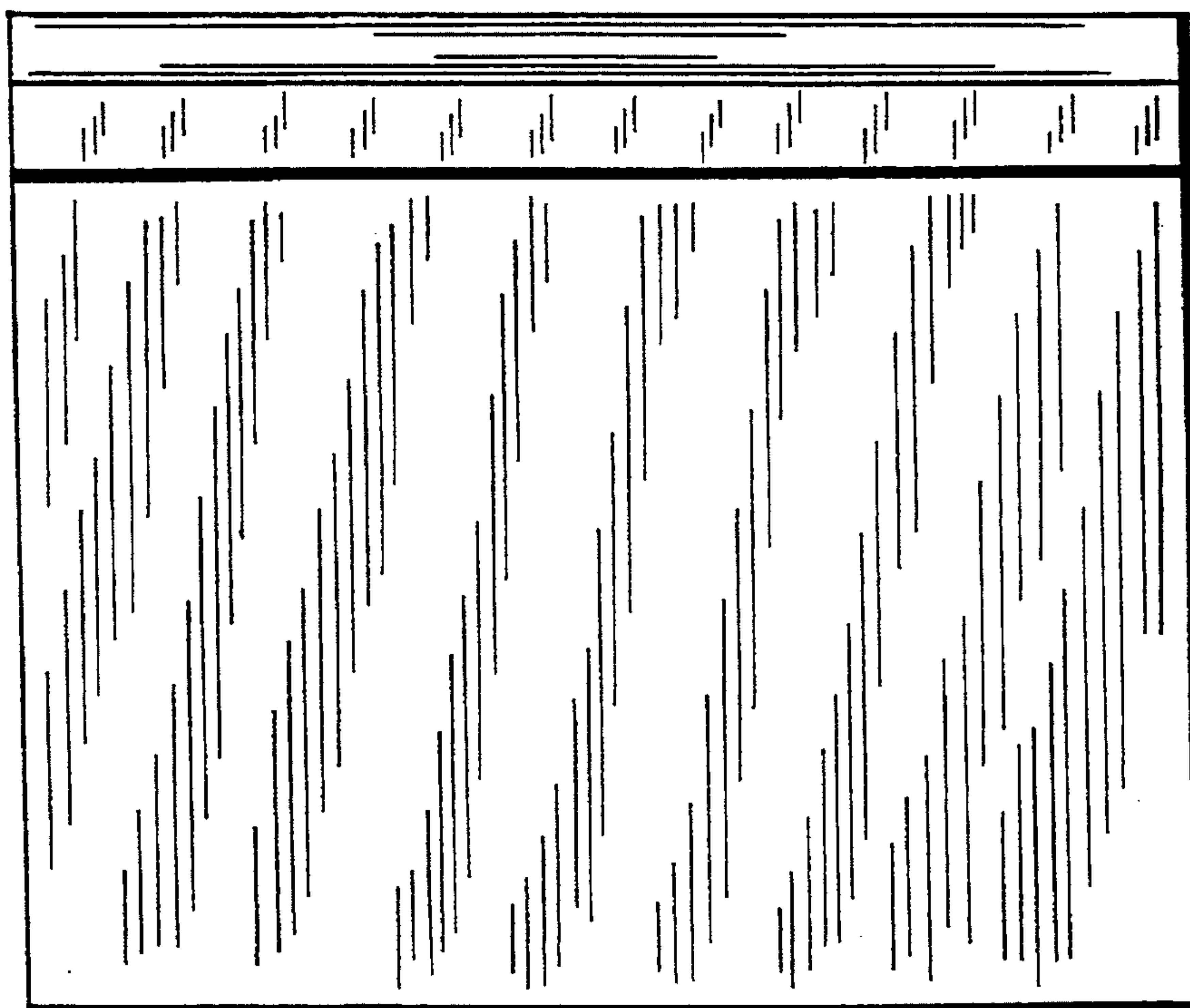


FIG. 5

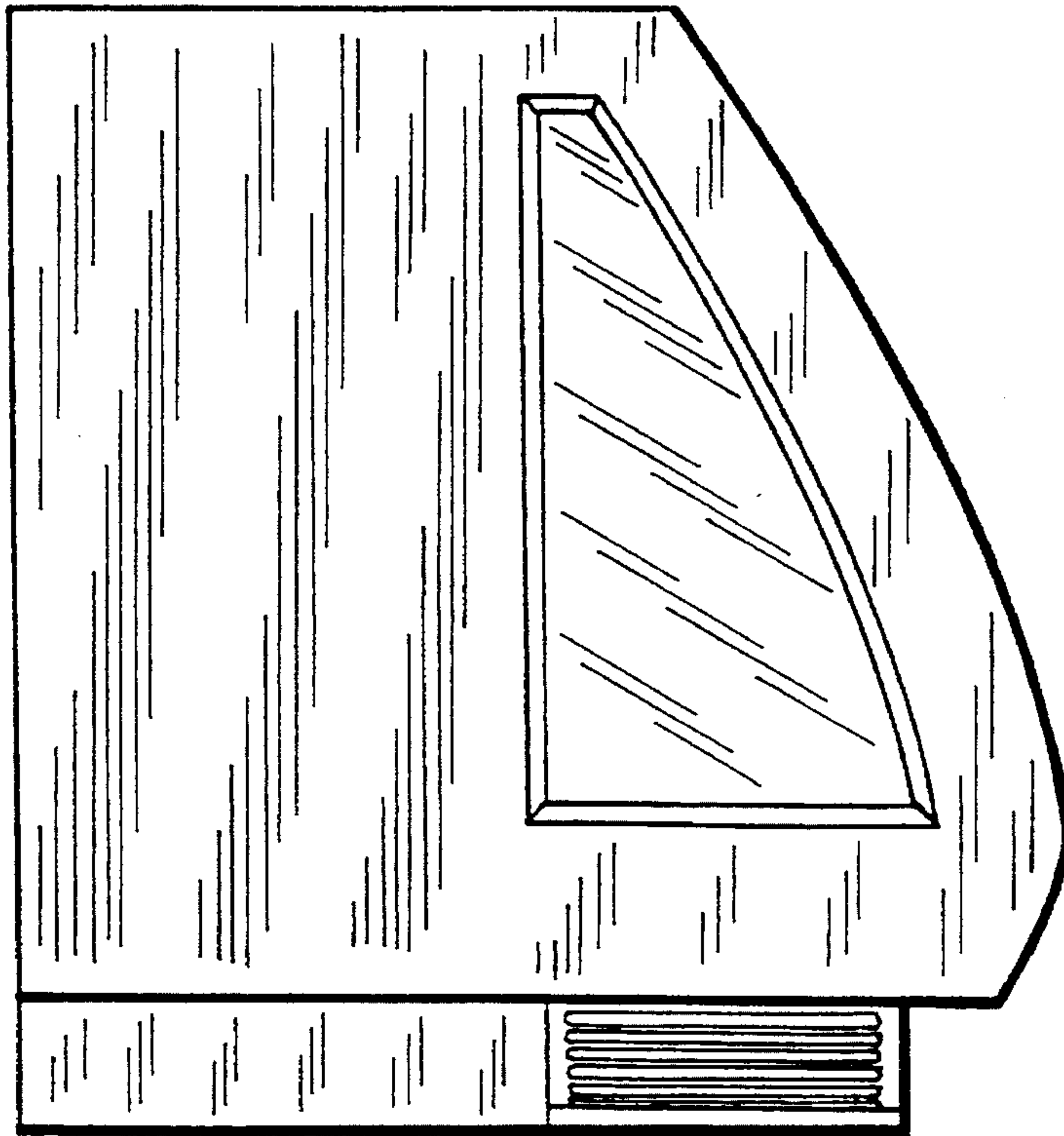


FIG. 6

