



US00D365826S

United States Patent [19]
Chandler

[11] **Patent Number:** **Des. 365,826**

[45] **Date of Patent:** ****Jan. 2, 1996**

[54] **TREAD ELEMENT FOR WHEEL OR ENDLESS TRACK**

[75] Inventor: **Graeme A. Chandler**, Morley, Australia

[73] Assignee: **AirBoss Limited**, Kewdale, Australia

[**] Term: **14 Years**

[21] Appl. No.: **11,579**

[22] Filed: **Aug. 9, 1993**

[30] **Foreign Application Priority Data**

Feb. 11, 1993 [AU] Australia 353/93

[52] **U.S. Cl.** **D15/28; D12/153**

[58] **Field of Search** D15/10, 22-26, D15/28; D12/135, 149, 151, 153, 154; 152/209 A, 209 WT, 523; 180/9.1; 305/44.2, 35 R, 35 EB, 39, 53, 56

[56] **References Cited**

U.S. PATENT DOCUMENTS

- D. 186,214 9/1959 Francis D15/28
- D. 309,314 7/1990 Grawey et al. D15/24
- D. 316,695 5/1991 Fujiki D12/149

- D. 325,209 4/1992 Rollinson D12/153
- D. 342,526 12/1993 Chandler D15/28
- 4,884,852 12/1989 Edwards et al. 305/35 EB
- 4,906,054 3/1990 Edwards et al. 305/35 EB
- 4,993,466 2/1991 Ochiai 152/523
- 5,078,454 1/1992 Rollinson 305/54

Primary Examiner—Sandra L. Morris
Attorney, Agent, or Firm—Handal & Morofsky

[57] **CLAIM**

The ornamental design for a tread element for wheel or endless track, as shown and described.

DESCRIPTION

FIG. 1 is a top perspective view of a tread element for wheel or endless track, showing my new design;

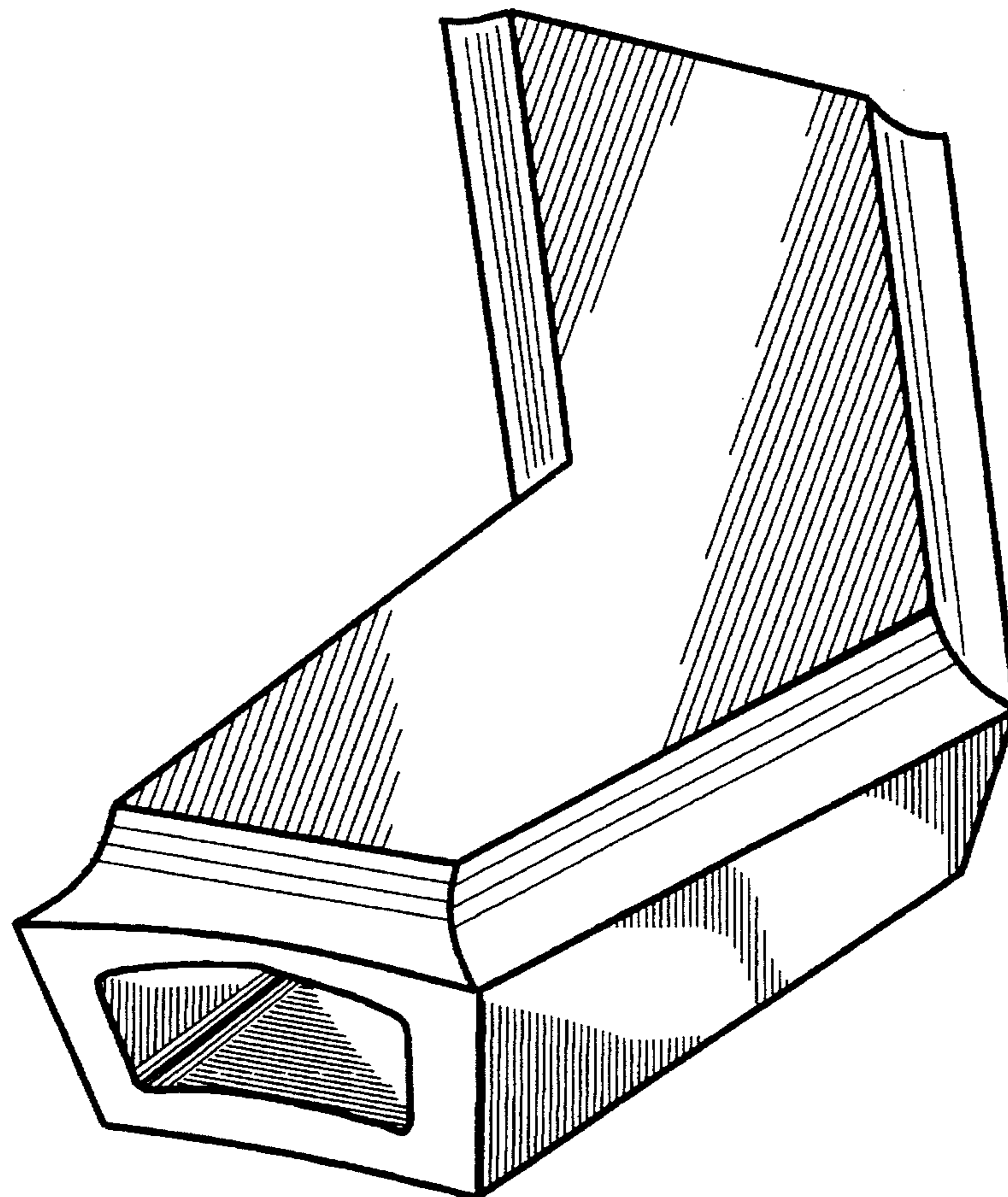
FIG. 2 is a bottom perspective view of the tire element illustrated in FIG. 1;

FIG. 3 is an end elevational view of the tire element illustrated in FIG. 1;

FIG. 4 is a side elevational view of the tire element illustrated in FIG. 1;

FIG. 5 is a reduced bottom plan view thereof; and, FIG. 6 is a reduced top plan view thereof.

1 Claim, 2 Drawing Sheets



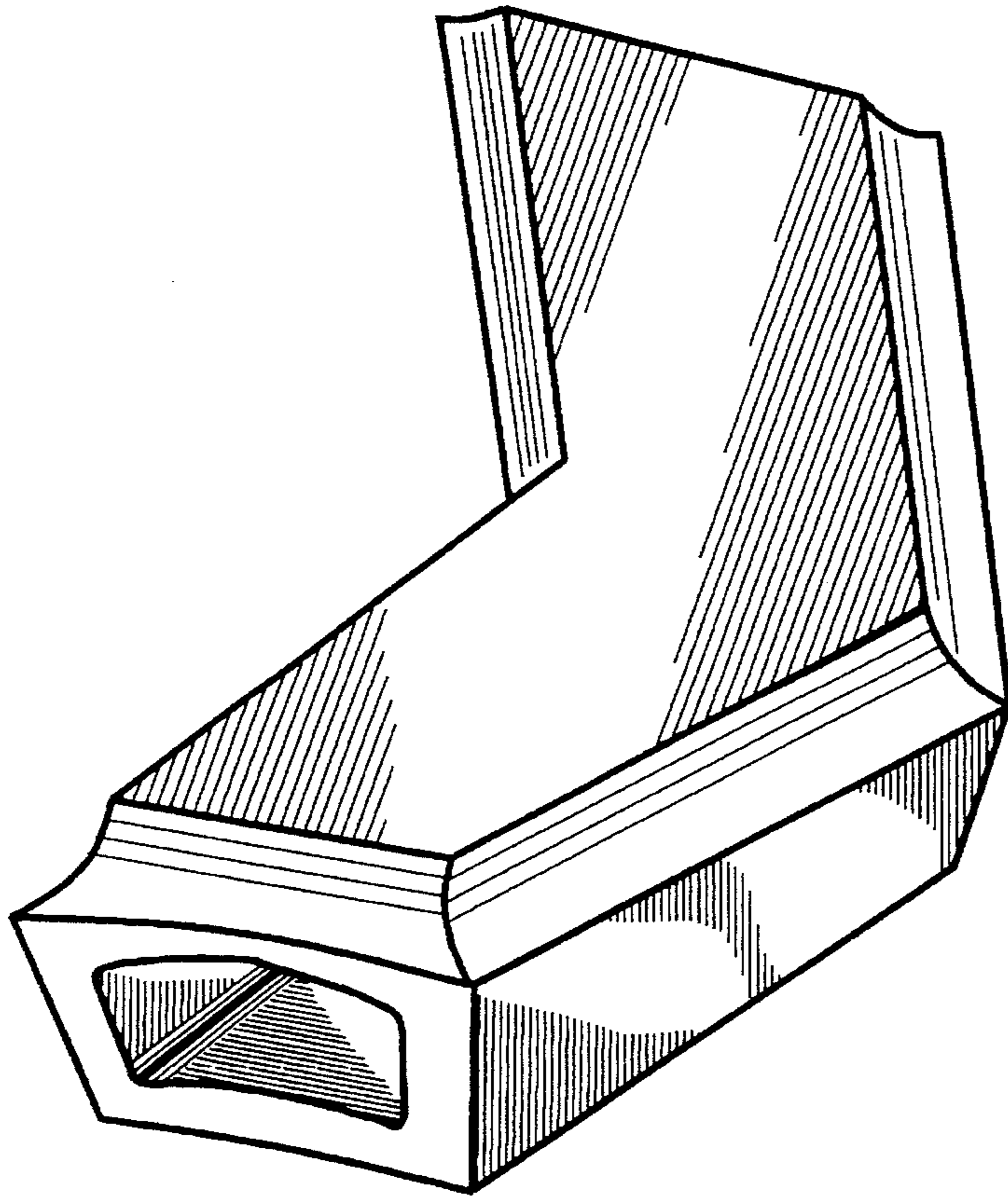


Figure 1

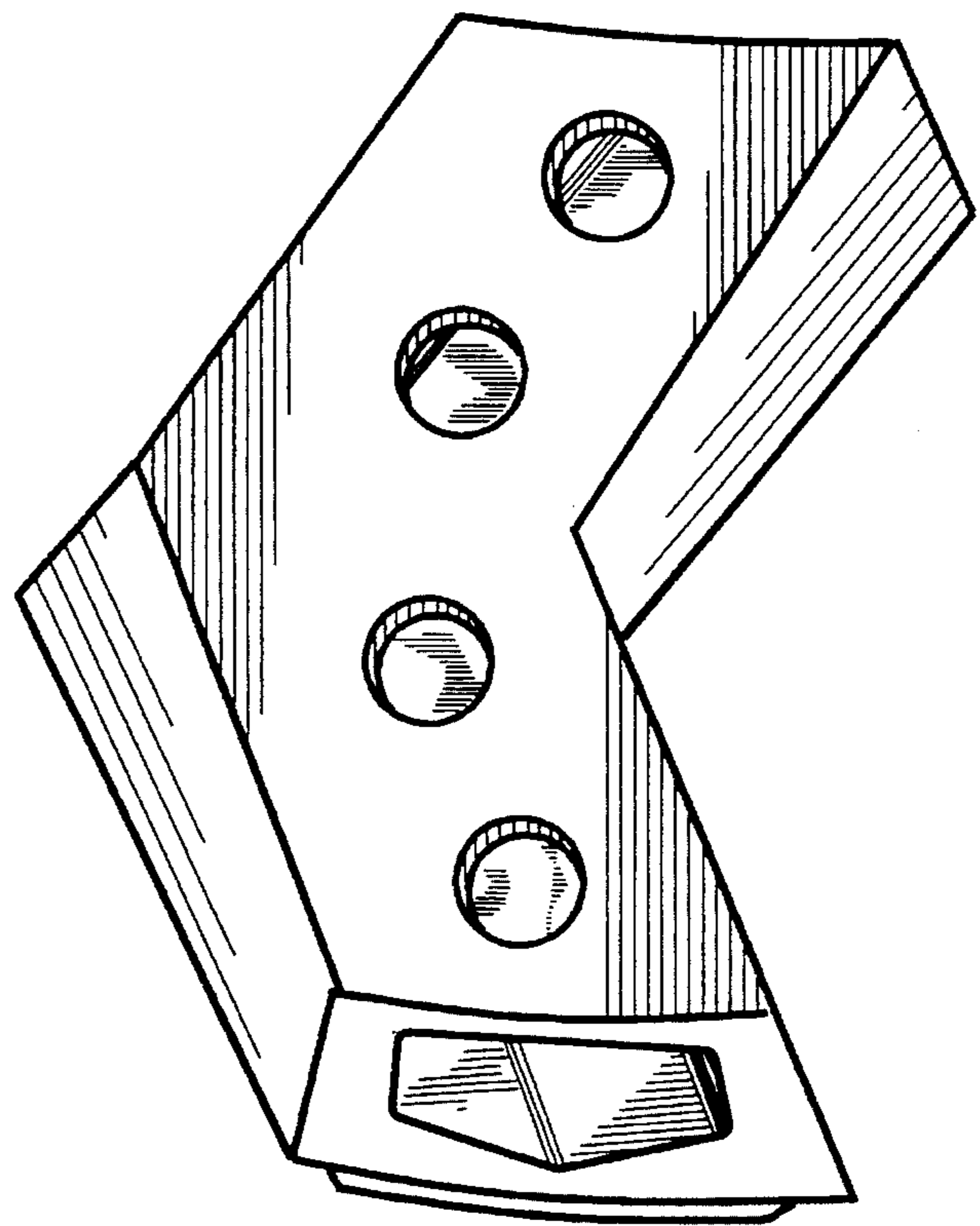


Figure 2

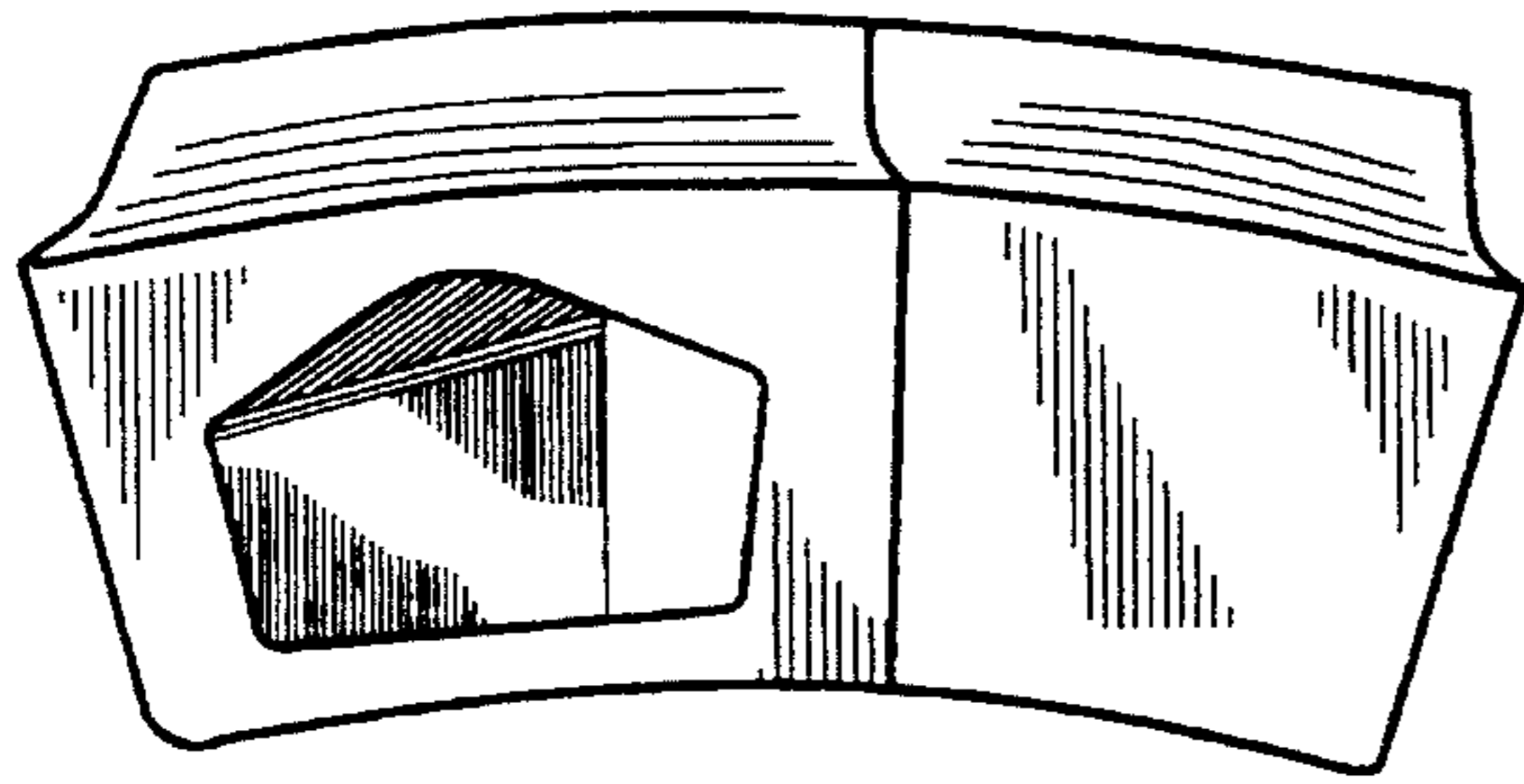


Figure 3

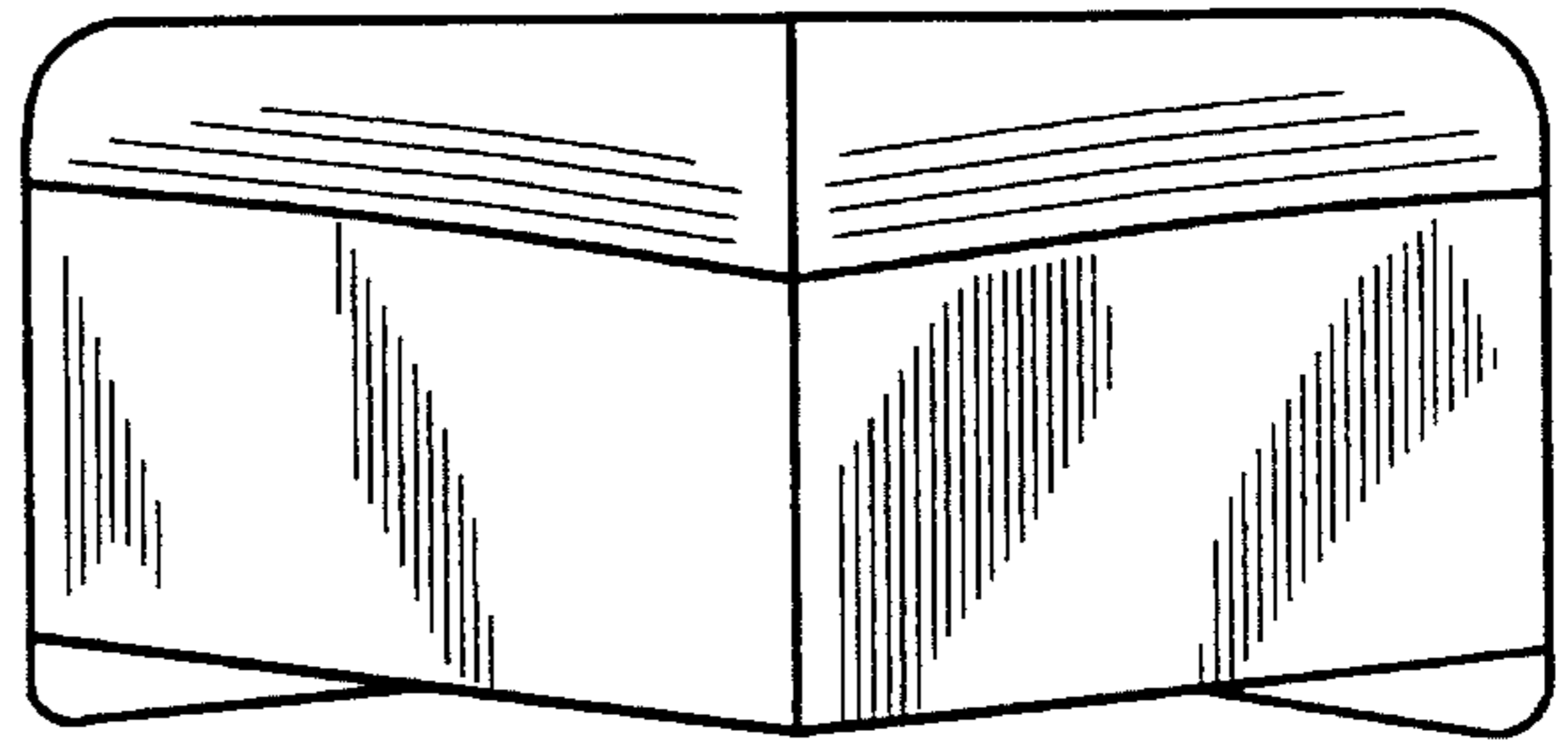


Figure 4

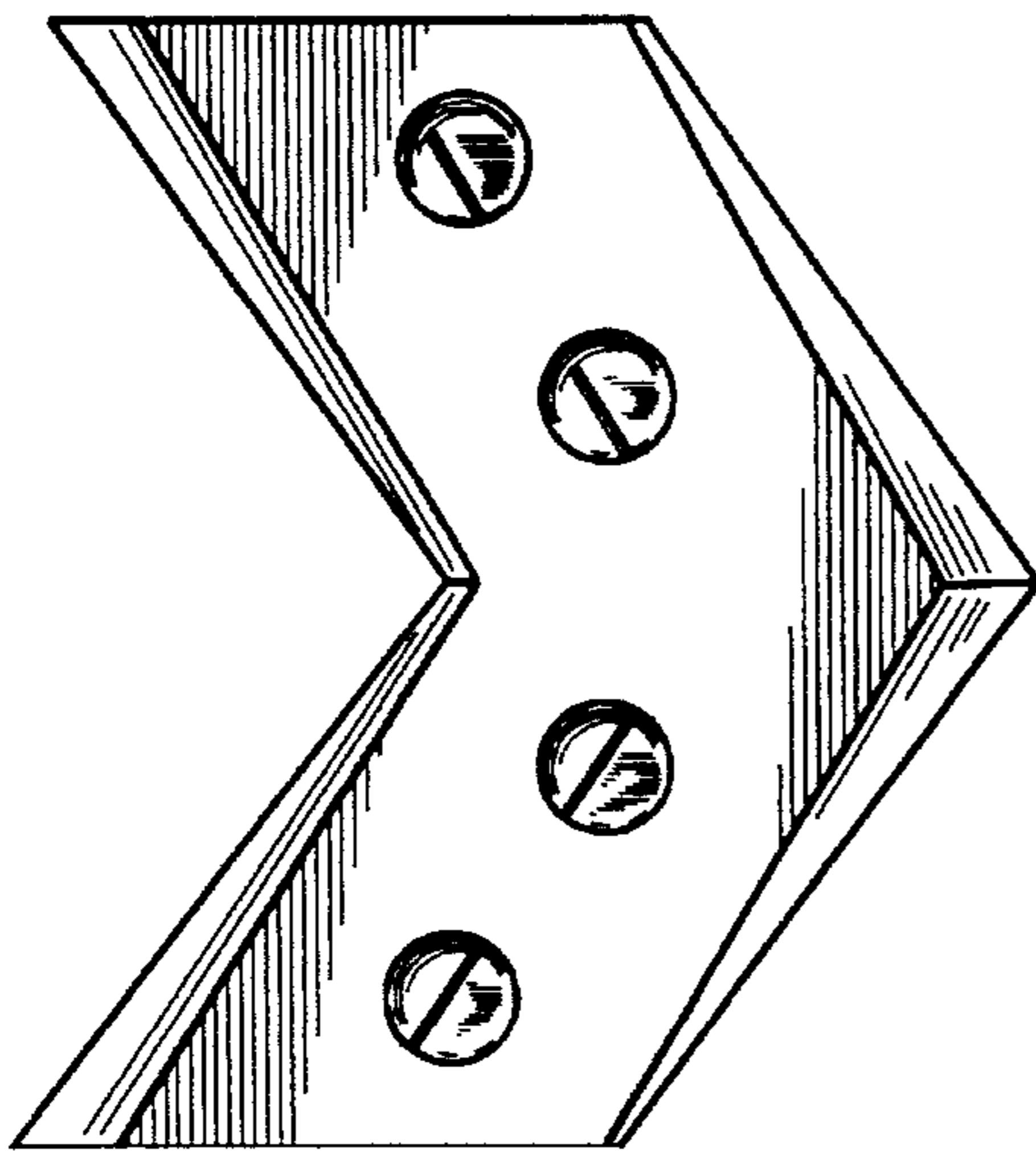


Figure 5

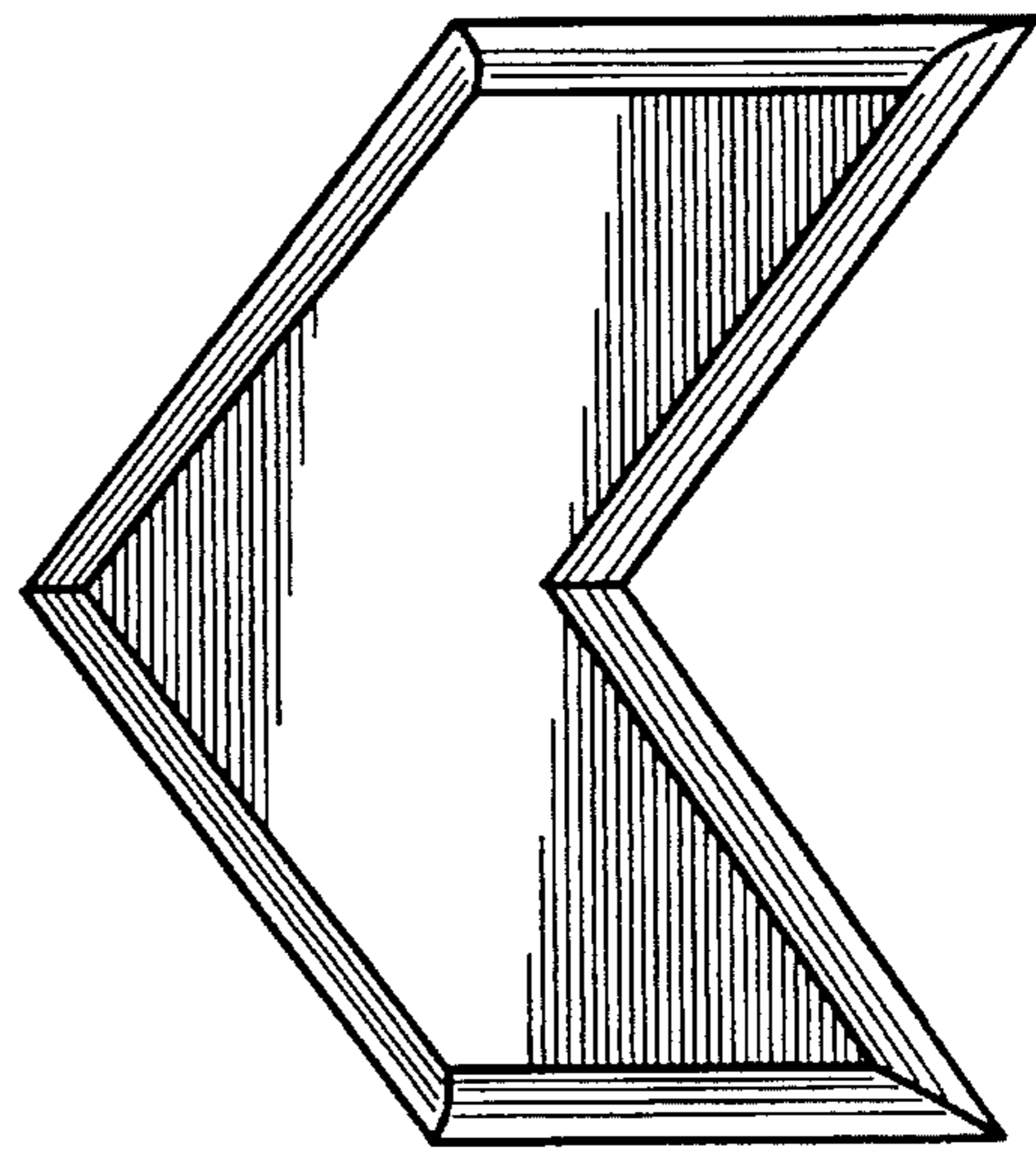


Figure 6