



US00D365825S

# United States Patent [19]

Abraham

[11] Patent Number: **Des. 365,825**

[45] Date of Patent: **\*\*Jan. 2, 1996**

[54] **ACOUSTIC BAFFLE**

[75] Inventor: **Leslie R. Abraham**, Owatonna, Minn.

[73] Assignee: **Wenger Corporation**, Owatonna, Minn.

[\*\*] Term: **14 Years**

[21] Appl. No.: **28,374**

[22] Filed: **Sep. 13, 1994**

[52] U.S. Cl. .... **D14/299**; D6/419

[58] Field of Search ..... D6/419, 420; D14/299; 181/284, 287, 289; 248/444.1, 460

4,682,670 7/1987 Lerner et al. .... 181/287  
 4,750,586 6/1988 Lerner et al. .... 181/289  
 5,356,109 10/1994 Biasini et al. .... 248/441.1

*Primary Examiner*—Sandra L. Morris  
*Attorney, Agent, or Firm*—Patterson & Keough

## [57] CLAIM

The ornamental design for an acoustic baffle, as shown and described.

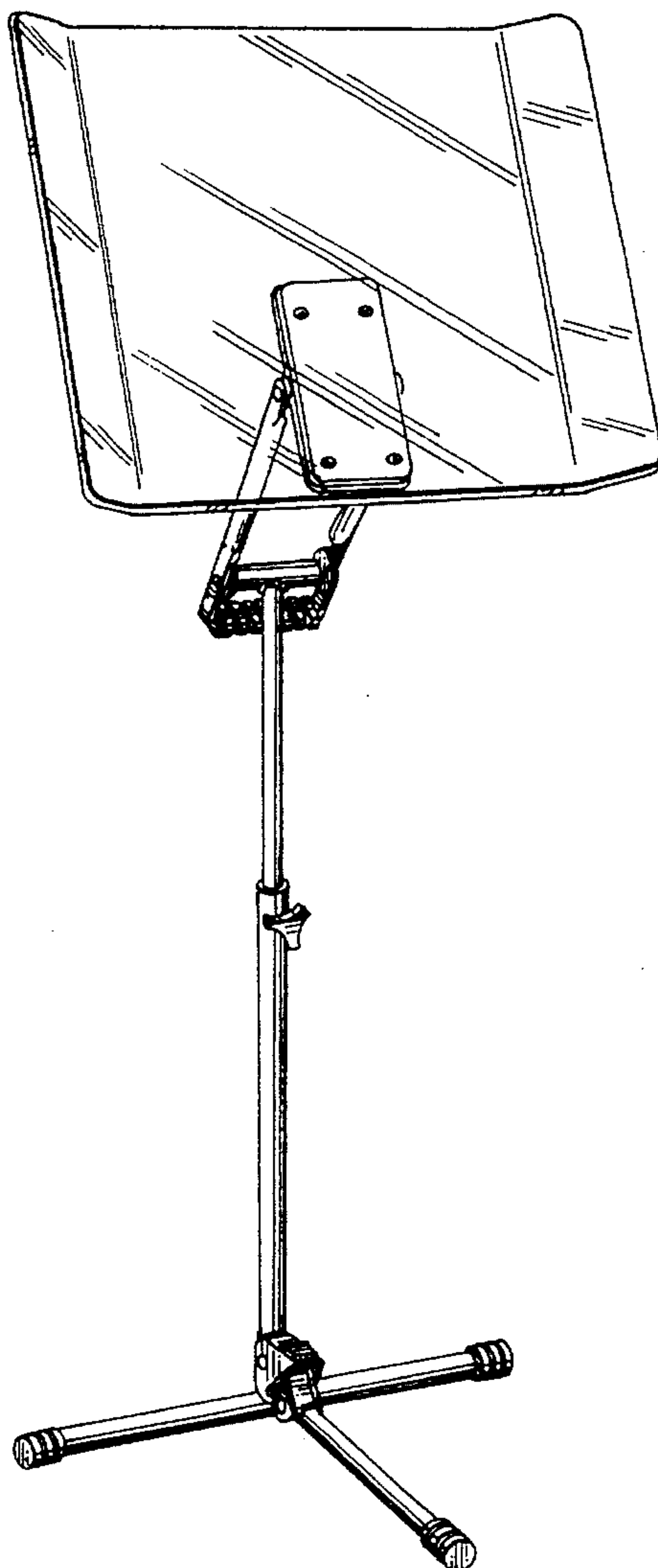
## DESCRIPTION

FIG. 1 is a perspective view of an acoustic baffle showing my design;  
 FIG. 2 is a front elevational view thereof;  
 FIG. 3 is a top plan view thereof;  
 FIG. 4 is a rear elevational view thereof;  
 FIG. 5 is a right side elevational view thereof, with the left side being a mirror image; and,  
 FIG. 6 is a bottom plan view.

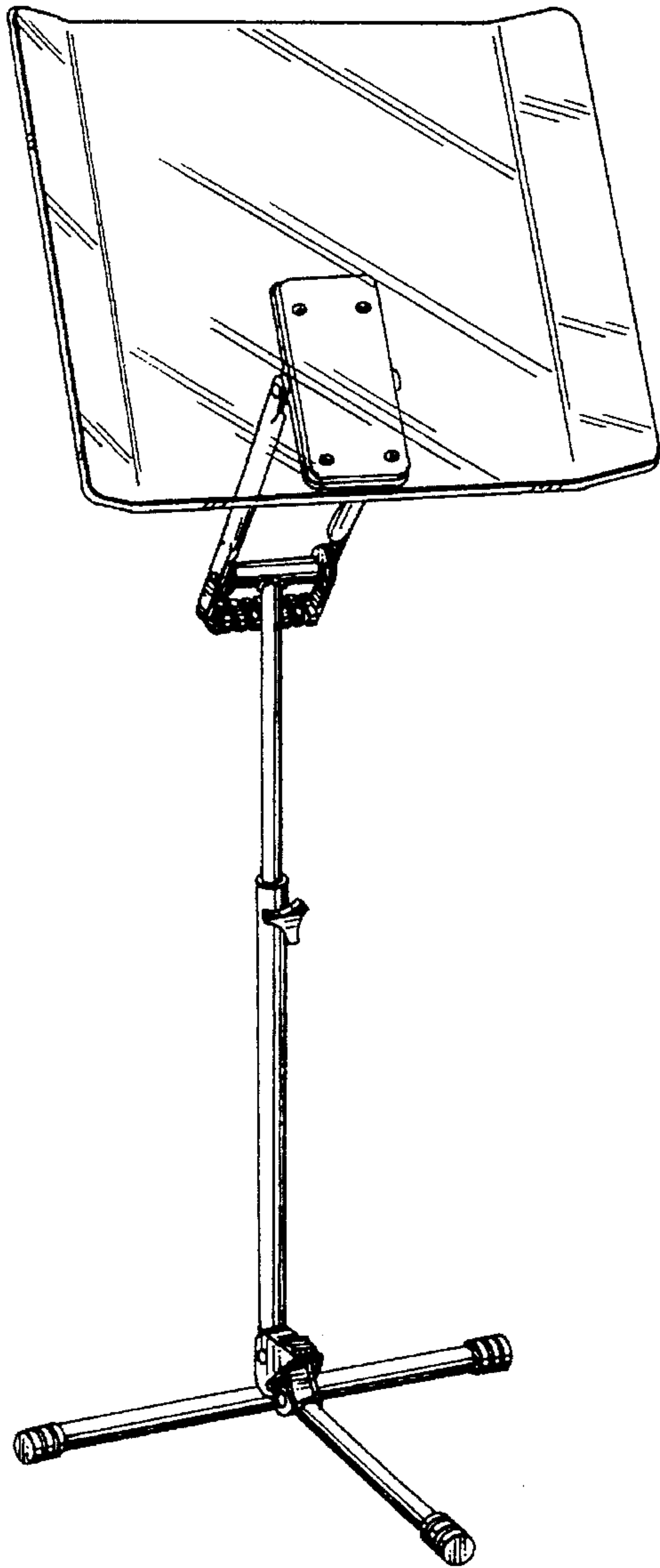
[56] **References Cited**  
 U.S. PATENT DOCUMENTS

D. 186,895	12/1959	Wenger	.....	D6/419
D. 239,899	5/1976	Malcolm	.....	D6/419
D. 314,873	2/1991	Wenger et al.	.....	D6/419
D. 320,319	10/1991	Brothers et al.	.....	D6/419
3,934,806	1/1976	Rady	.....	248/441.1

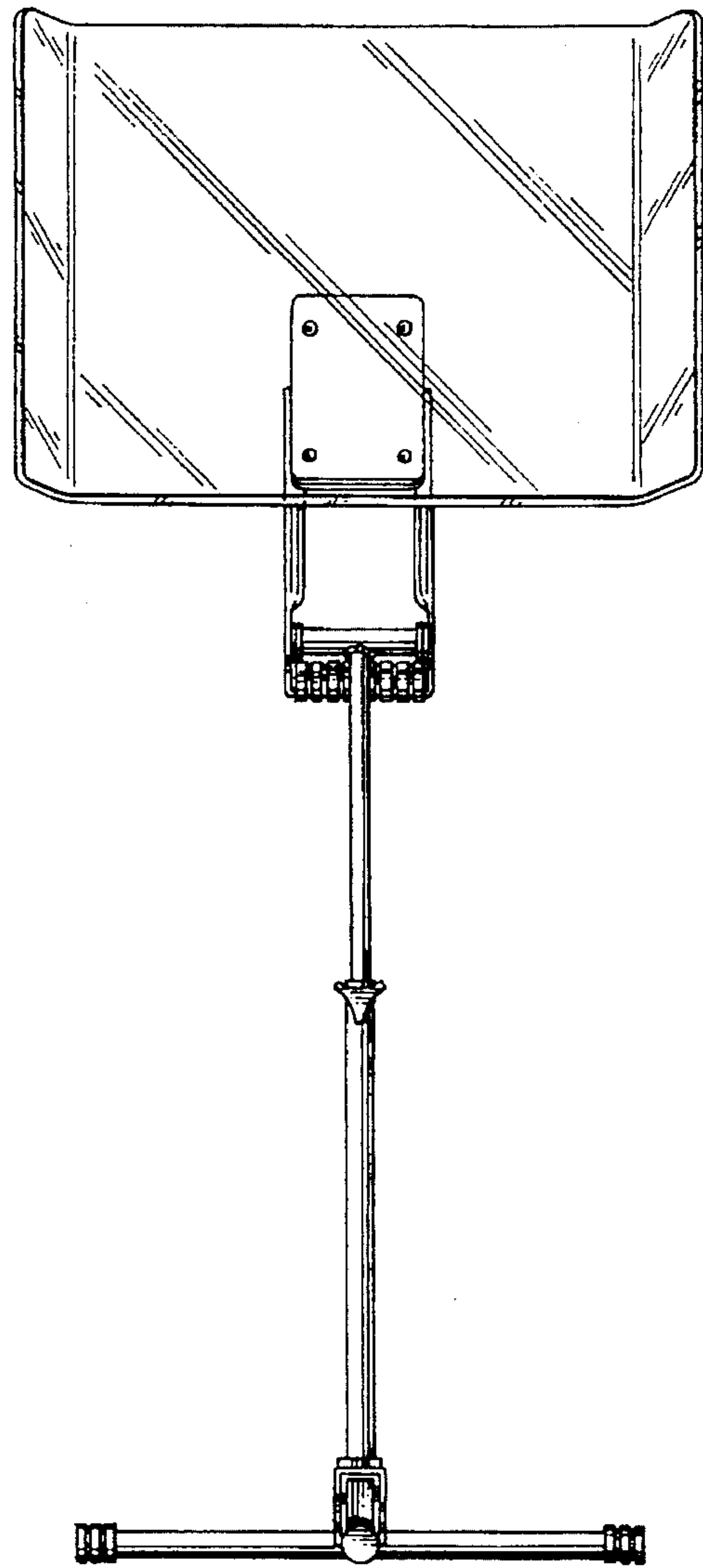
**1 Claim, 2 Drawing Sheets**



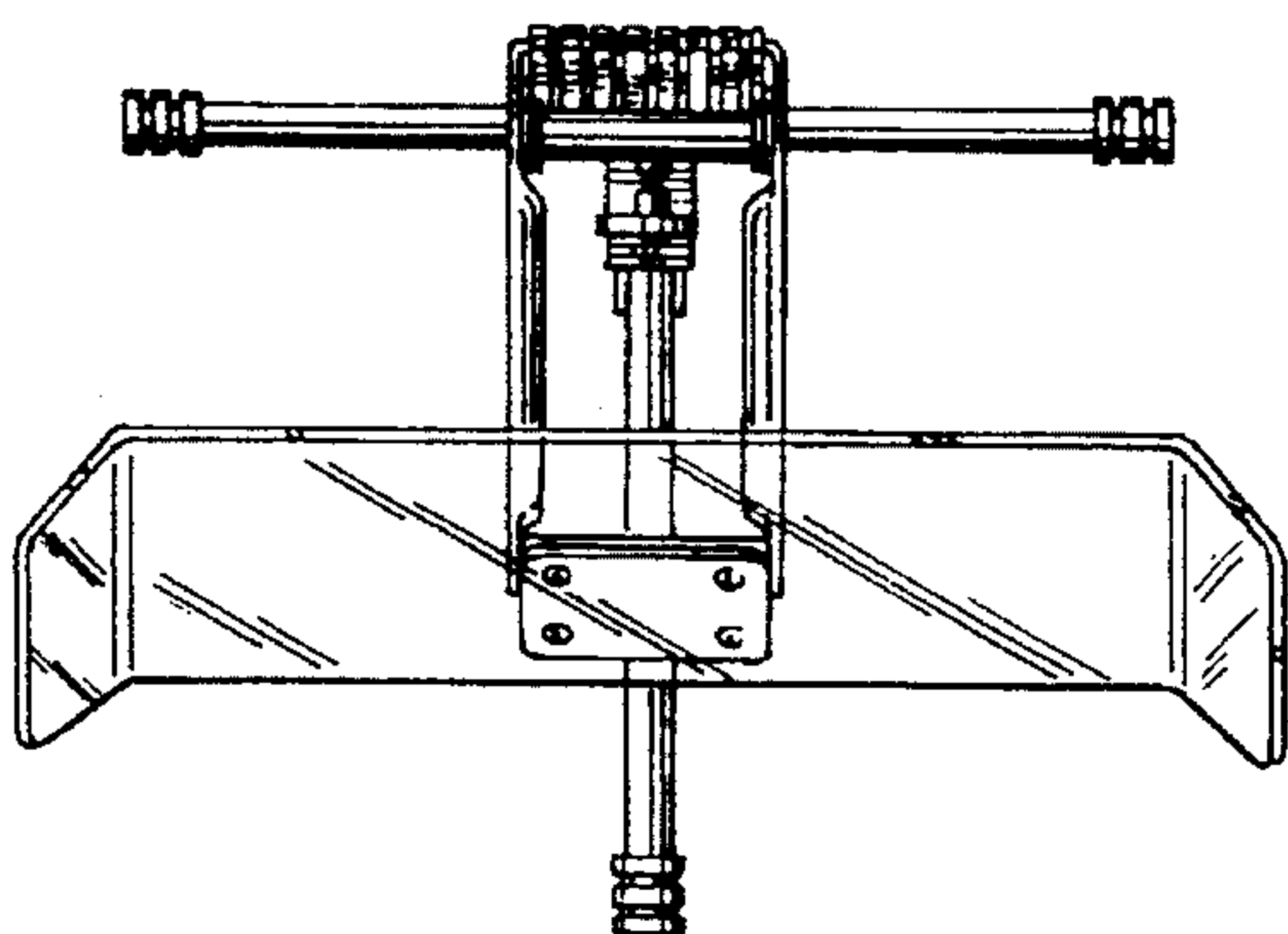
*Fig. 1*



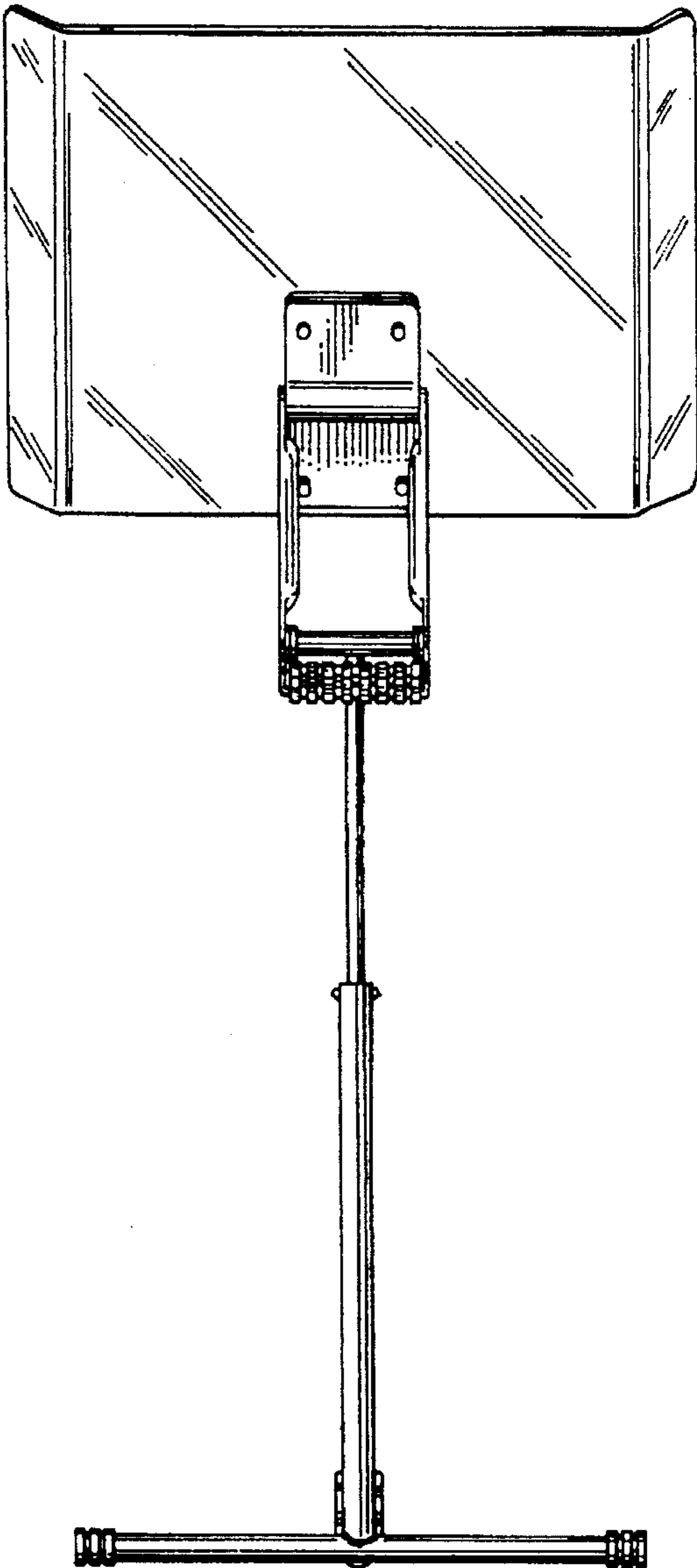
*Fig. 2*



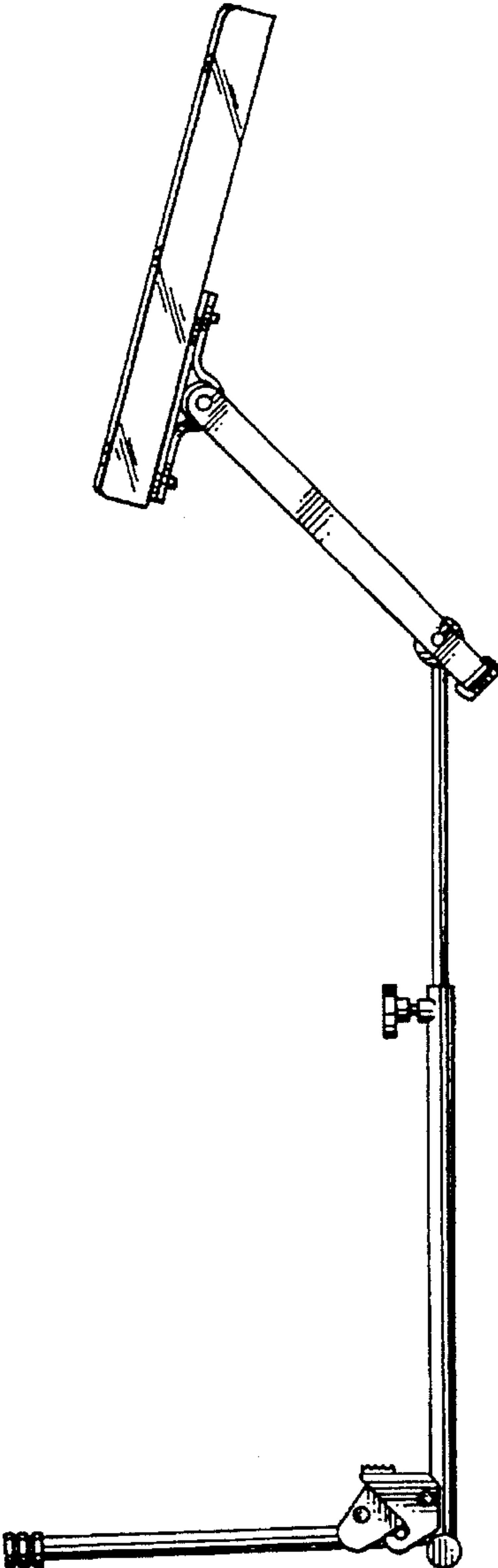
*Fig. 3*



*Fig. 4*



*Fig. 5*



*Fig. 6*

