



US00D365822S

United States Patent [19]

[11] Patent Number: **Des. 365,822**

Ito et al.

[45] Date of Patent: ****Jan. 2, 1996**

[54] **FRONT PANEL FOR A COMBINED DIGITAL AUDIO DISC PLAYER, RADIO RECEIVER, AMPLIFIER TAPE RECORDER AND SPEAKERS**

D. 313,598	1/1991	Mori	D14/163
D. 316,715	5/1991	Shibata	D14/169
D. 327,683	7/1992	Takimoto	D14/168
D. 339,345	9/1993	Fuke	D14/168

[75] Inventors: **Masafumi Ito**, Tokyo; **Minoru Sube**, Hachioji; **Haruki Takita**, Tokyo; **Hiroyuki Watanabe**, Hanno; **Yukio Iikura**, Asaka, all of Japan

Primary Examiner—Ted Shooman
Assistant Examiner—Nanda Bondade
Attorney, Agent, or Firm—Michael N. Meller

[73] Assignee: **TEAC Corporation**, Tokyo, Japan

[**] Term: **14 Years**

[57] **CLAIM**

The ornamental design for a front panel for a combined digital audio disc player, radio receiver, amplifier, tape recorder and speakers, as shown and described.

[21] Appl. No.: **13,899**

[22] Filed: **Oct. 5, 1993**

DESCRIPTION

Related U.S. Application Data

[62] Division of Ser. No. 753,692, Sep. 3, 1991, Pat. No. D. 343,393.

FIG. 1 is a front, top and right side perspective view of a front panel for a combined digital audio disc player, radio receiver, amplifier, tape recorder and speakers showing our new design; and,

[30] **Foreign Application Priority Data**

Mar. 5, 1991 [JP] Japan 3-5910

FIG. 2 is a reduced left side elevational view thereof.

[52] **U.S. Cl.** **D14/168**

The undisclosed bottom view is a mirror image of the top view.

[58] **Field of Search** D14/124, 156, D14/160, 164-165, 168-171, 188, 192-195, 197-198; 455/344, 350-351

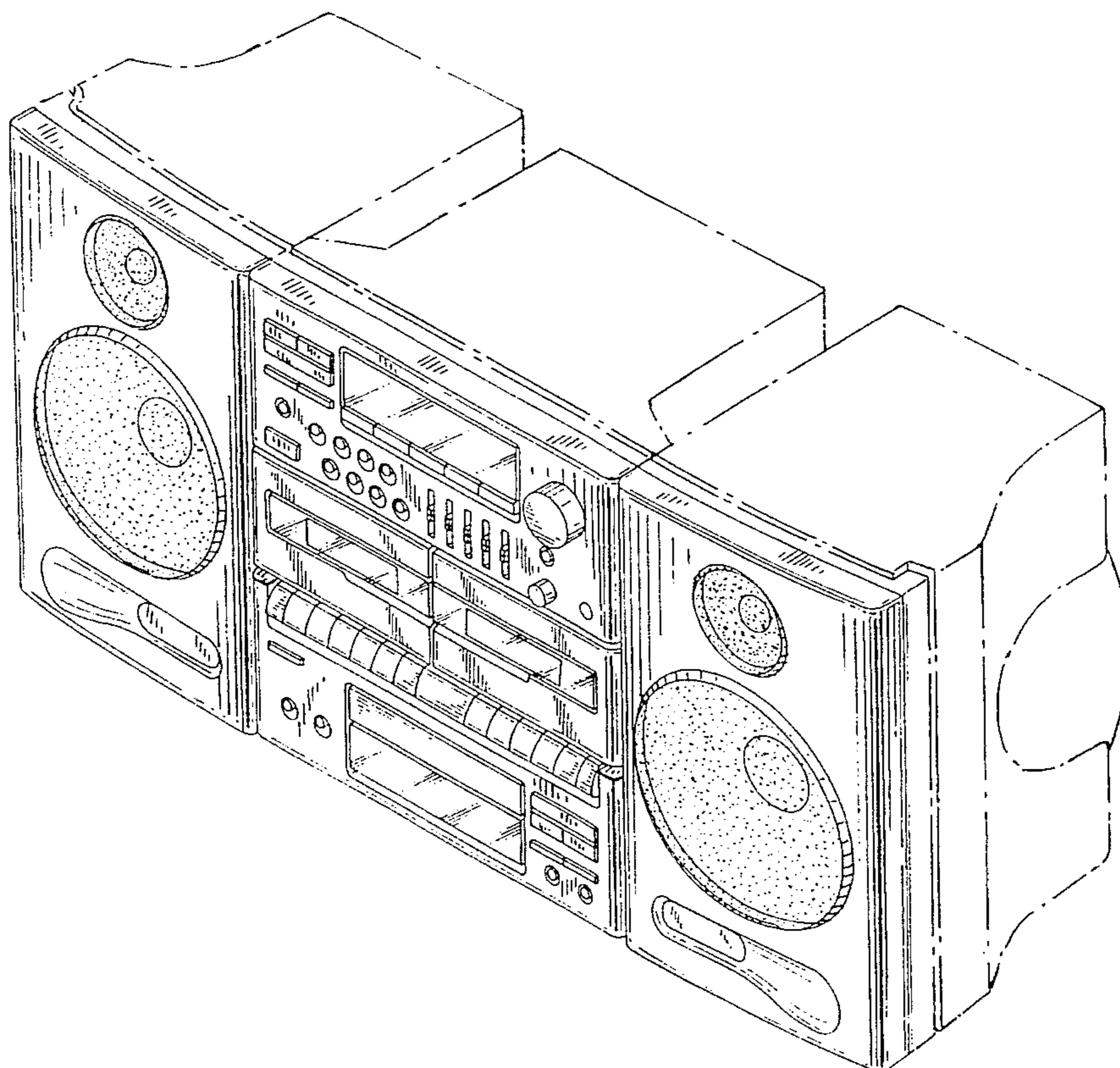
The broken line showing of the rear portion of the combined digital audio disc player, radio receiver, amplifier, tape recorder and speakers is for illustrative purposes only and forms no part of the claimed design.

[56] **References Cited**

U.S. PATENT DOCUMENTS

D. 310,837 9/1990 Takimoto D14/168

1 Claim, 2 Drawing Sheets



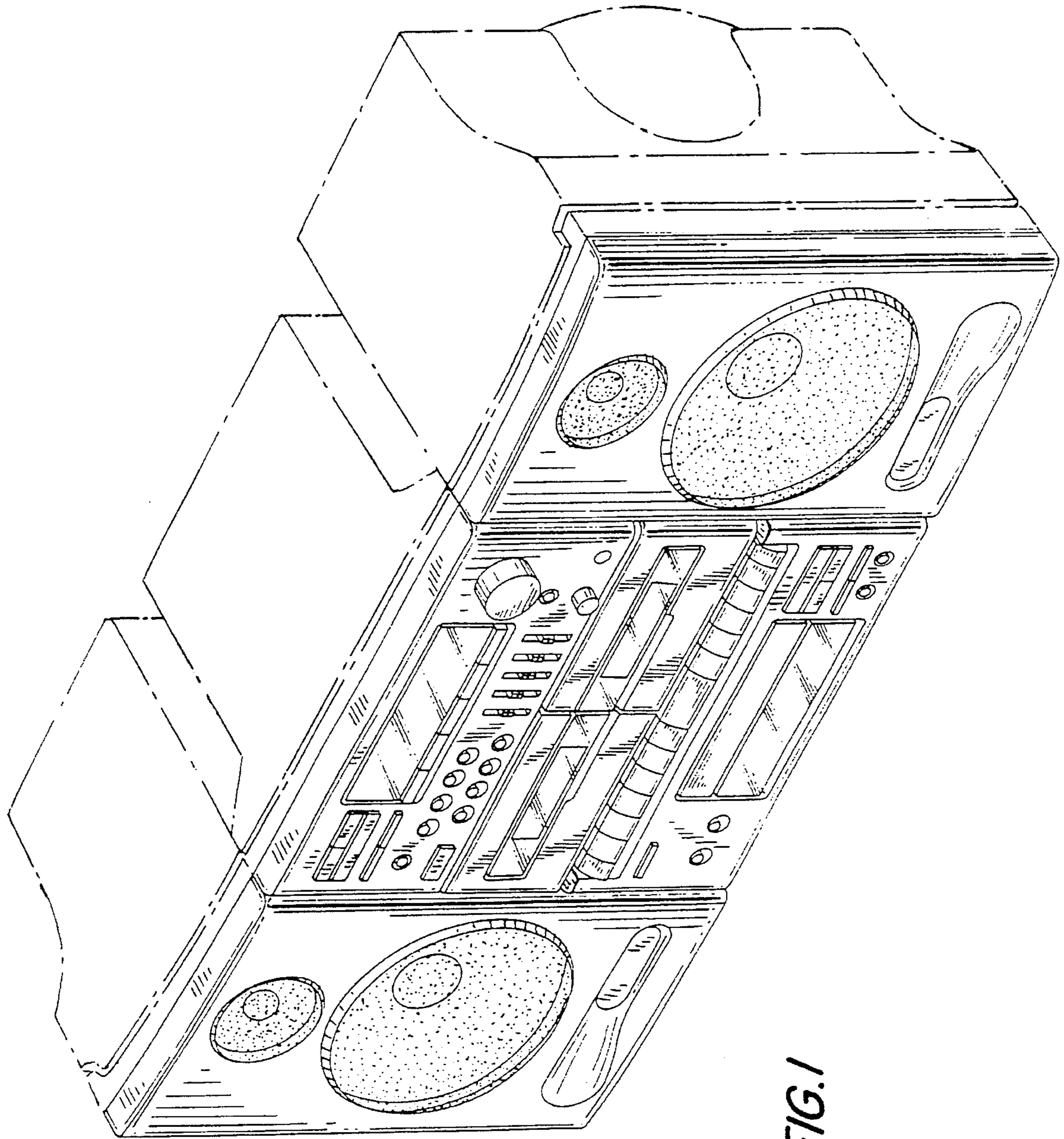


FIG. 1

FIG. 2

