



US00D365820S

United States Patent [19]

[11] Patent Number: **Des. 365,820**

Bentley

[45] Date of Patent: ****Jan. 2, 1996**

[54] TELEPHONE CONSOLE FOR AIRCRAFT SEATS

[75] Inventor: **Paul R. Bentley**, Gainesville, Tex.

[73] Assignee: **Weber Aircraft, Inc.**, Gainesville, Tex.

[**] Term: **14 Years**

[21] Appl. No.: **31,104**

[22] Filed: **Nov. 17, 1994**

[52] U.S. Cl. **D14/142**; D12/416; D14/144

[58] Field of Search D14/149-151, D14/142, 144, 138, 137, 140, 240, 251, 253, 147, 148; 379/449, 455, 454, 58-61, 419, 420, 428, 440, 446, 426, 456, 458; 455/89, 90; D12/415, 416

[56] **References Cited**

U.S. PATENT DOCUMENTS

D. 292,975	12/1987	Kobayashi	D14/251
D. 299,232	1/1989	Taylor et al.	D14/138
D. 301,473	6/1989	Rojc	D14/138 X
D. 312,635	12/1990	Culbertson	D14/138
D. 339,803	9/1993	Ditzig et al.	D14/147
4,515,998	5/1985	Pinede et al.	.	
4,611,734	9/1986	Luecking et al.	.	
4,868,862	9/1989	Ryoichi et al.	455/90 X
5,071,049	12/1991	Mozer	.	
5,106,141	4/1992	Mostashari	.	

5,169,097	12/1992	Yasukawa	.	
5,169,105	12/1992	Yasukawa	.	
5,311,302	5/1994	Berry et al.	.	
5,331,260	7/1994	Ahmed	.	
5,388,155	2/1995	Smith	379/455 X
5,410,597	4/1995	Kepley, III et al.	379/449

OTHER PUBLICATIONS

1989/90 Fall/Winter B. A. Pargh Catalog p. 359, KCP210KCO Cellular Phone at bottom right.

Primary Examiner—Jeffrey Asch
Attorney, Agent, or Firm—Crutsinger & Booth

[57] **CLAIM**

The ornamental design for telephone console for aircraft seats, as shown and described.

DESCRIPTION

FIG. 1 is a perspective view showing the front, right side and top of a telephone console for aircraft seats showing my new design;

FIG. 2 is a right side elevational view thereof, the left side elevation being a mirror image thereof;

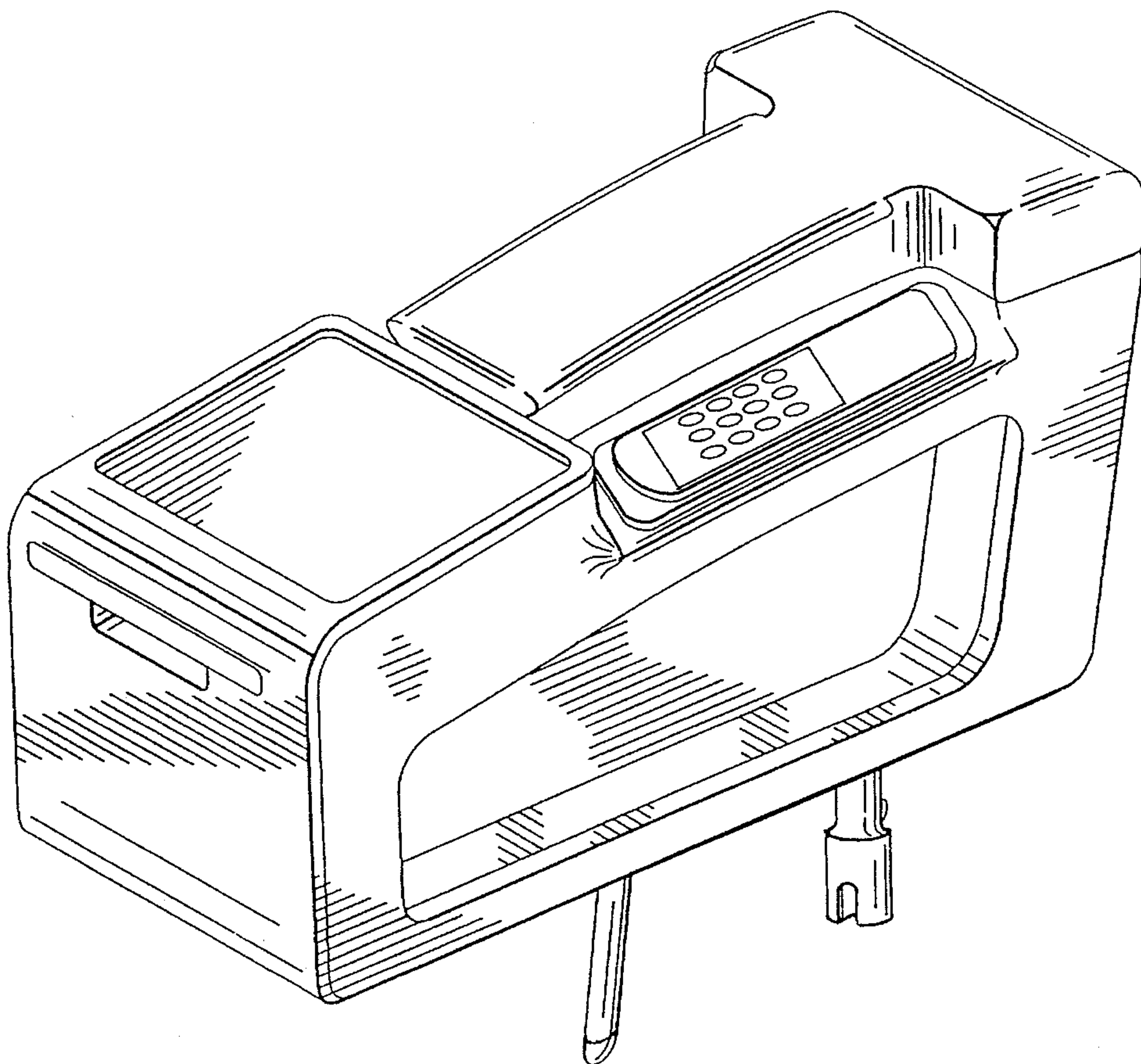
FIG. 3 is a top plan view thereof;

FIG. 4 is a bottom plan view thereof;

FIG. 5 is a front elevational view thereof; and,

FIG. 6 is a rear elevational view thereof.

1 Claim, 2 Drawing Sheets



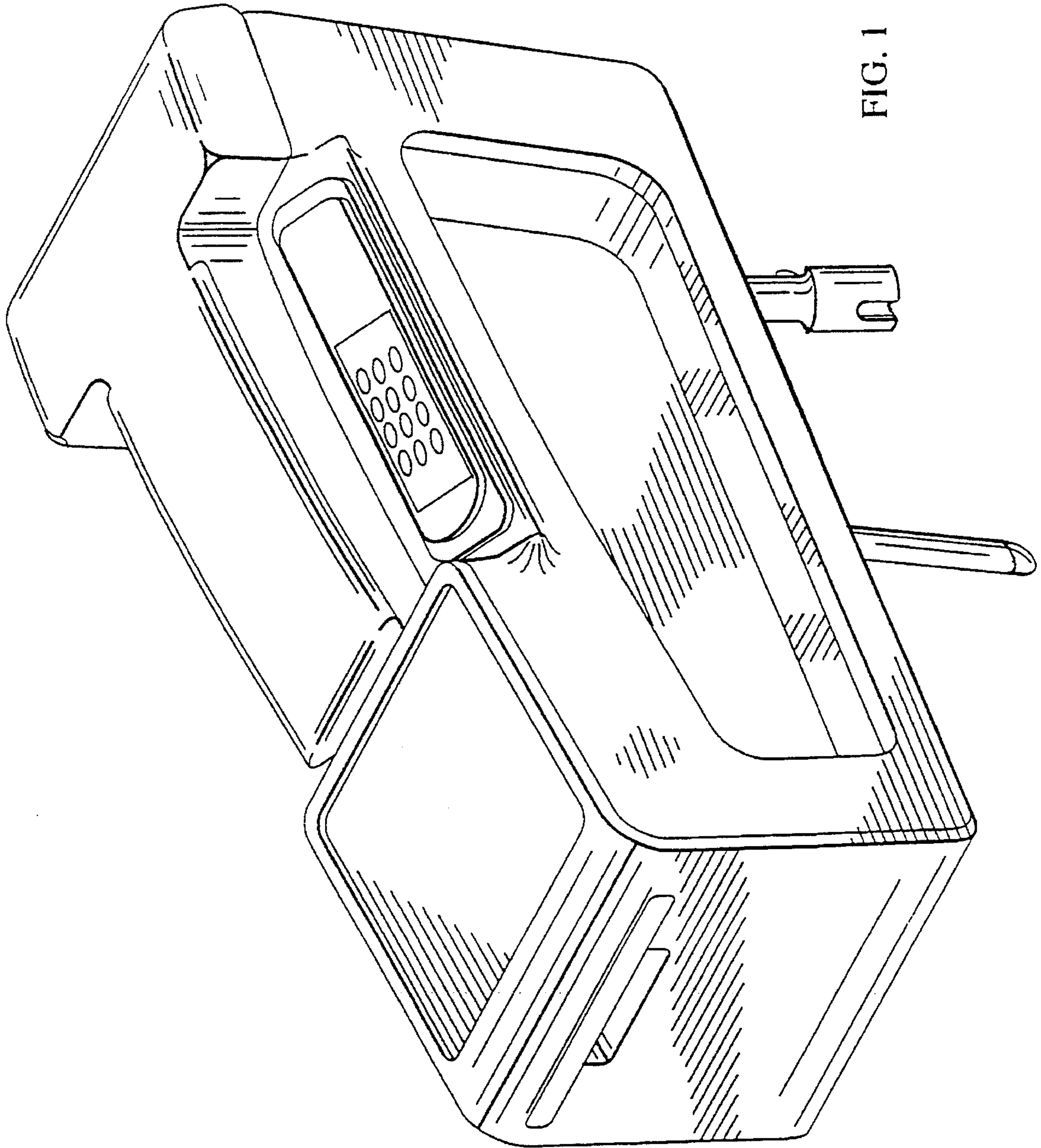


FIG. 1

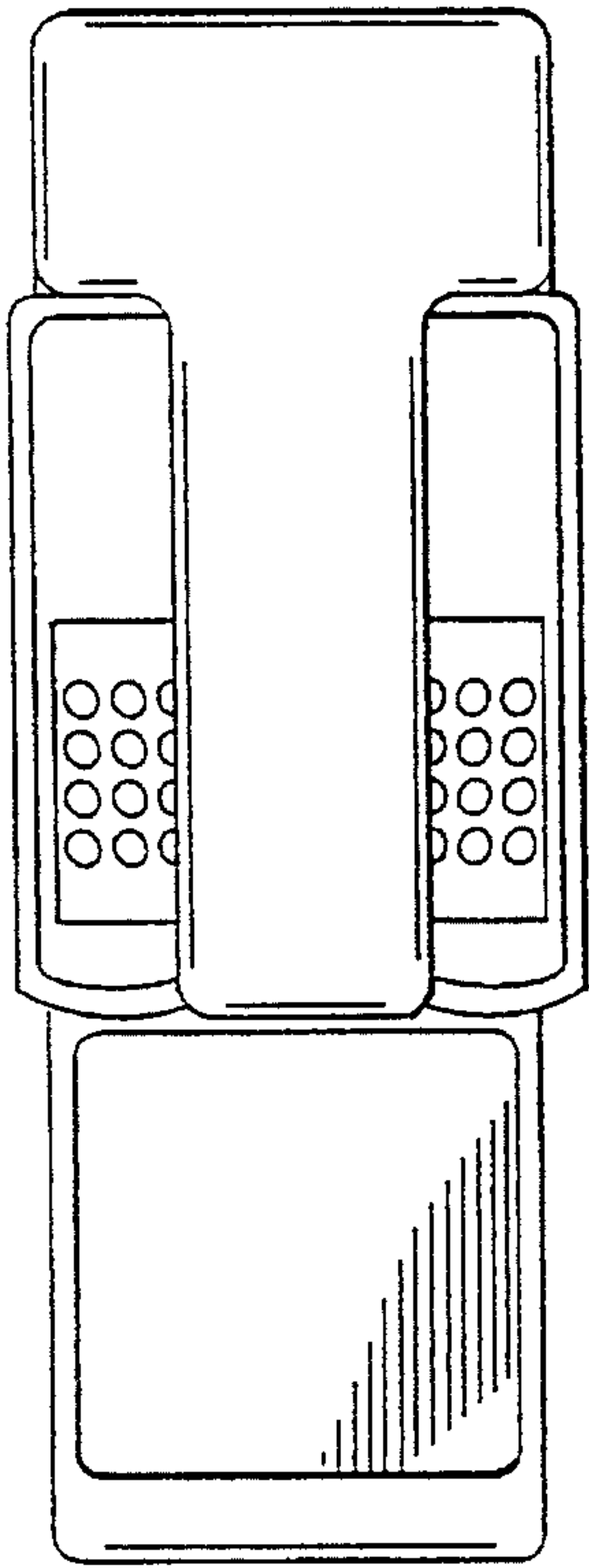


FIG. 3

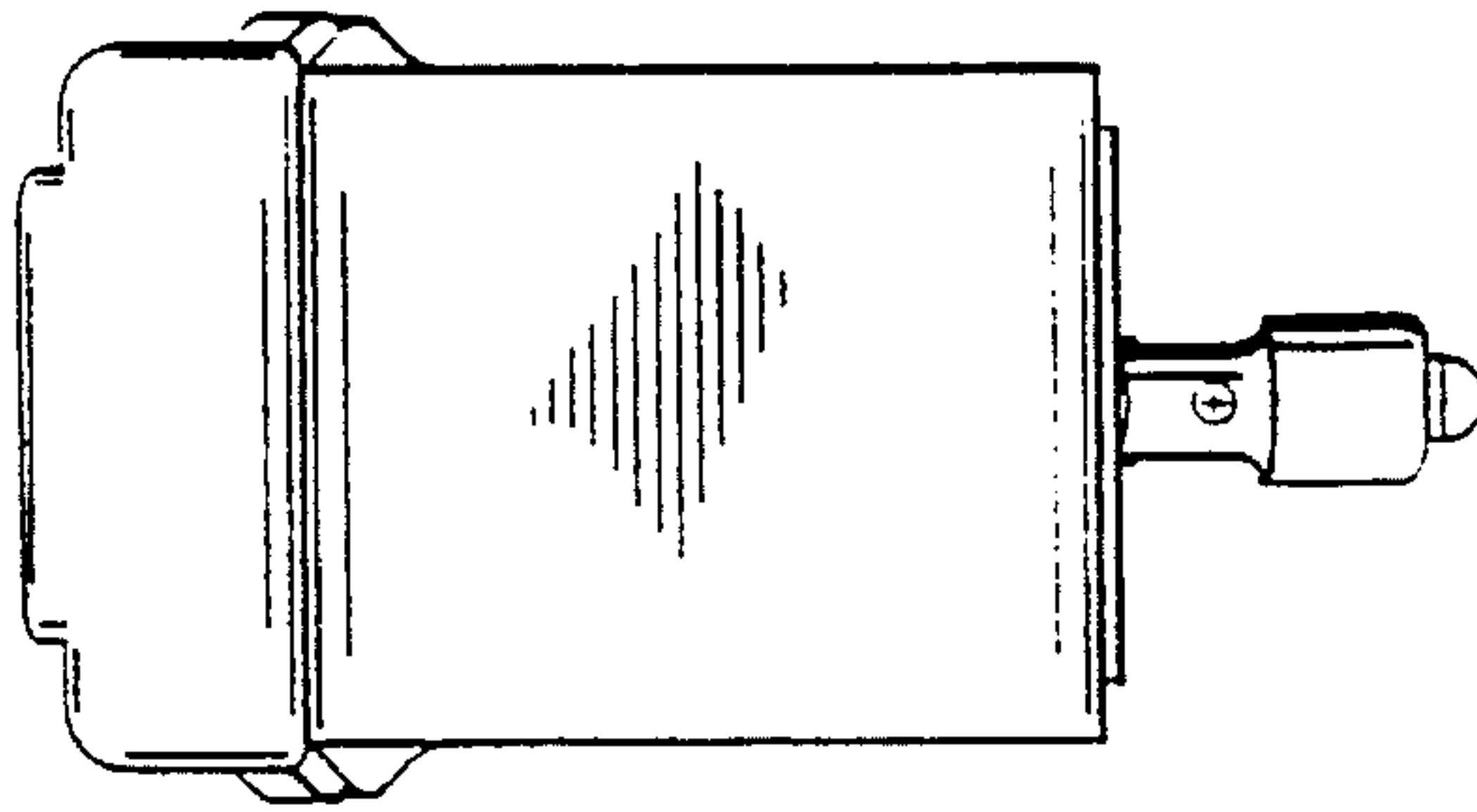


FIG. 6

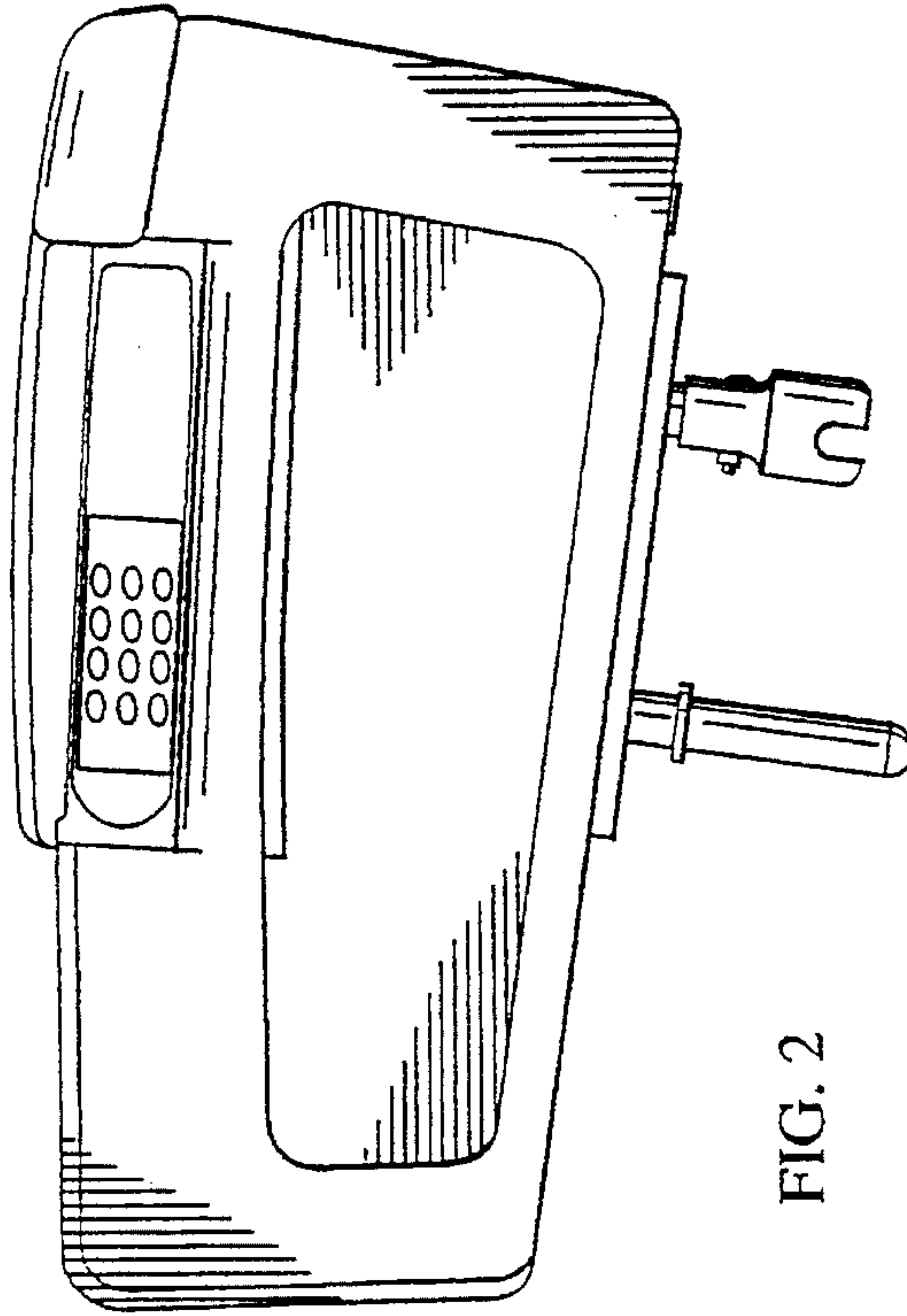


FIG. 2

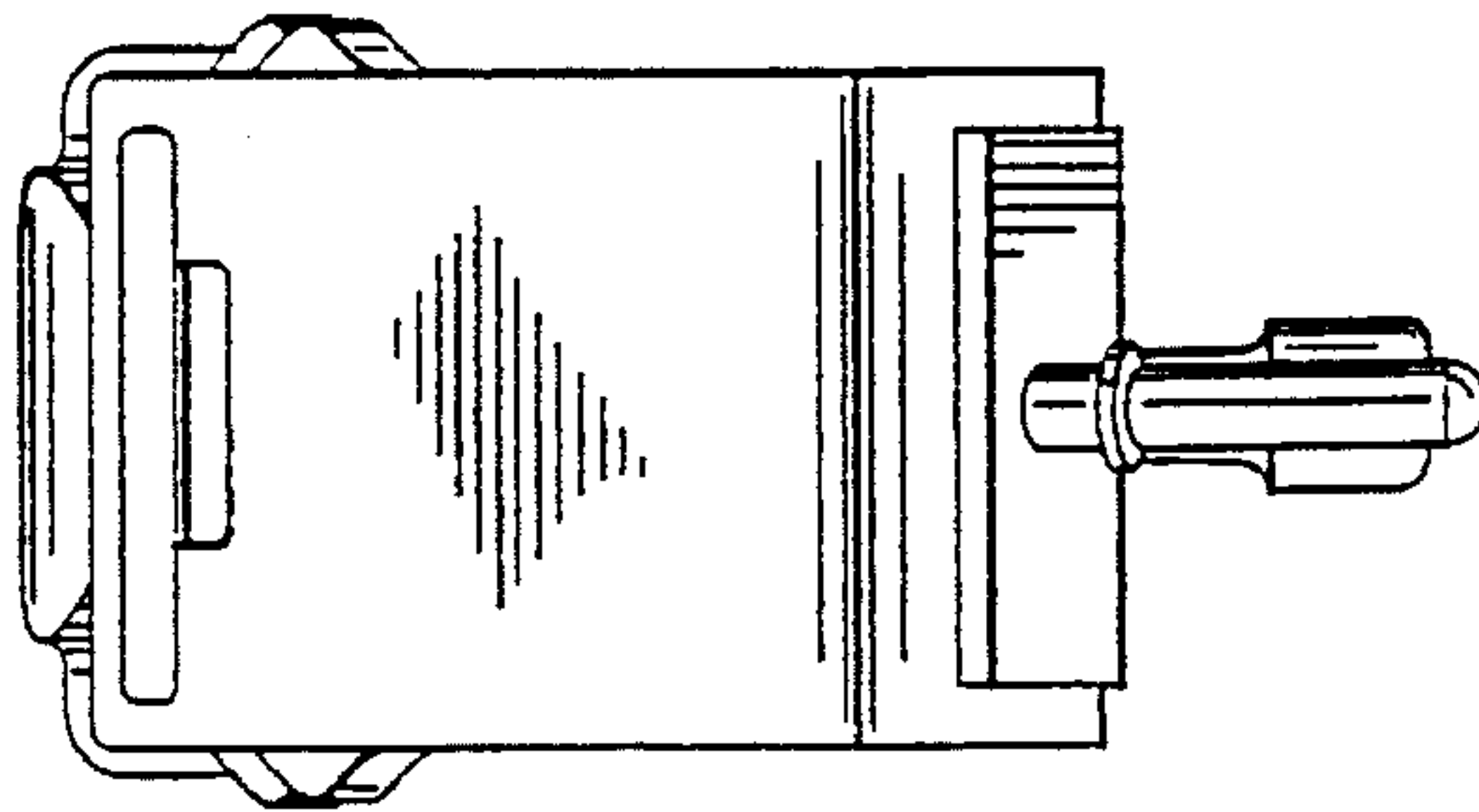


FIG. 5

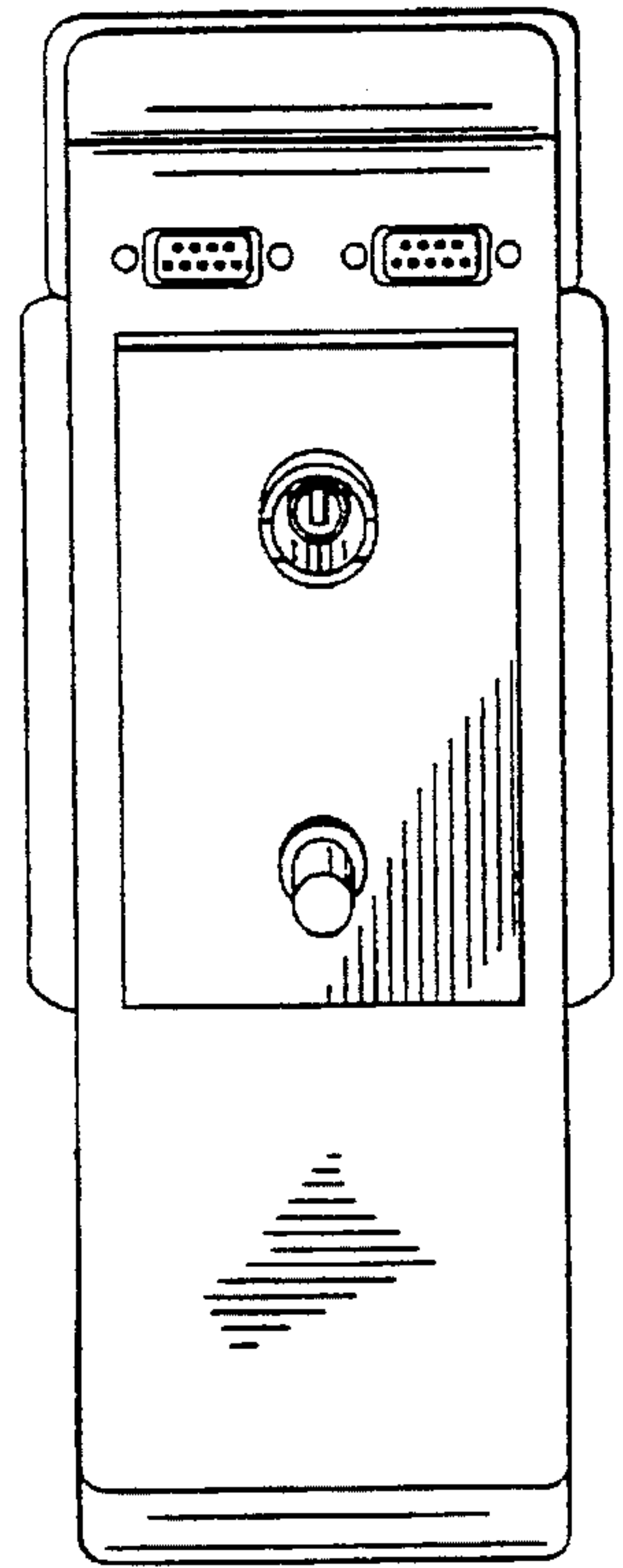


FIG. 4