



US00D365814S

United States Patent [19]

[11] Patent Number: **Des. 365,814**

Bailey et al.

[45] Date of Patent: ****Jan. 2, 1996**

[54] WINDOW AND LABEL AREA OF A TOP SURFACE FOR A VIDEOCASSETTE

D. 348,455	7/1994	Yip	D14/121
4,501,396	2/1985	Tomsyck et al.	242/199
4,754,357	6/1988	Nelson	360/132
4,844,378	7/1989	Oishi	242/344
4,911,298	3/1990	Miyagawa et al.	206/387.1
5,003,425	3/1991	Ozawa	242/346

[75] Inventors: **John A. Bailey**, Woodbury; **Glenn A. Bloomer**, Maplewood; **Gregory H. Johnson**, Oakdale, all of Minn.; **Donald J. Staufenberg**, Dublin, Ohio

Primary Examiner—Ted Shooman
Assistant Examiner—Nanda Bondade
Attorney, Agent, or Firm—Gary L. Griswold; Walter N. Kim; Charles D. Levine

[73] Assignee: **Minnesota Mining and Manufacturing Company**, St. Paul, Minn.

[**] Term: **14 Years**

[57] CLAIM

The ornamental design for a window and label area of a top surface for a videocassette, as shown and described.

[21] Appl. No.: **20,922**

DESCRIPTION

[22] Filed: **Apr. 5, 1994**

[52] U.S. Cl. **D14/121**

FIG. 1 is a perspective view of a window and label area of a top surface for a videocassette showing our new design; and

[58] Field of Search D14/120-123, D14/299; 206/387.1, 387.12-387.15; 242/342-345, 345.1-345.3, 346, 346.2; 360/132

FIG. 2 is a top plan view thereof.

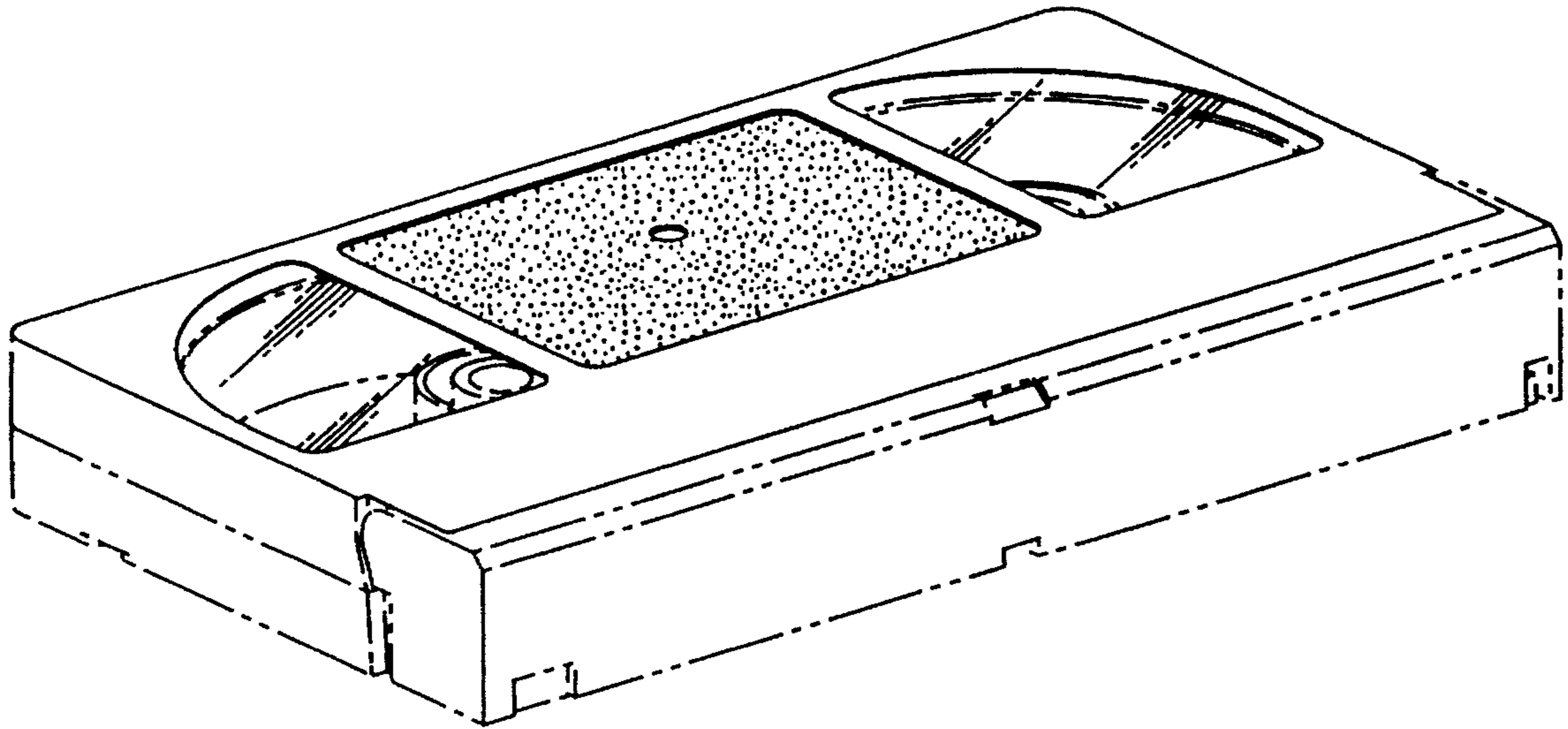
The broken line showing of the videocassette and tape reel is for illustrative purposes only and forms no part of the claimed design.

[56] References Cited

U.S. PATENT DOCUMENTS

D. 266,419 10/1982 Hashimoto et al. D14/121

1 Claim, 1 Drawing Sheet



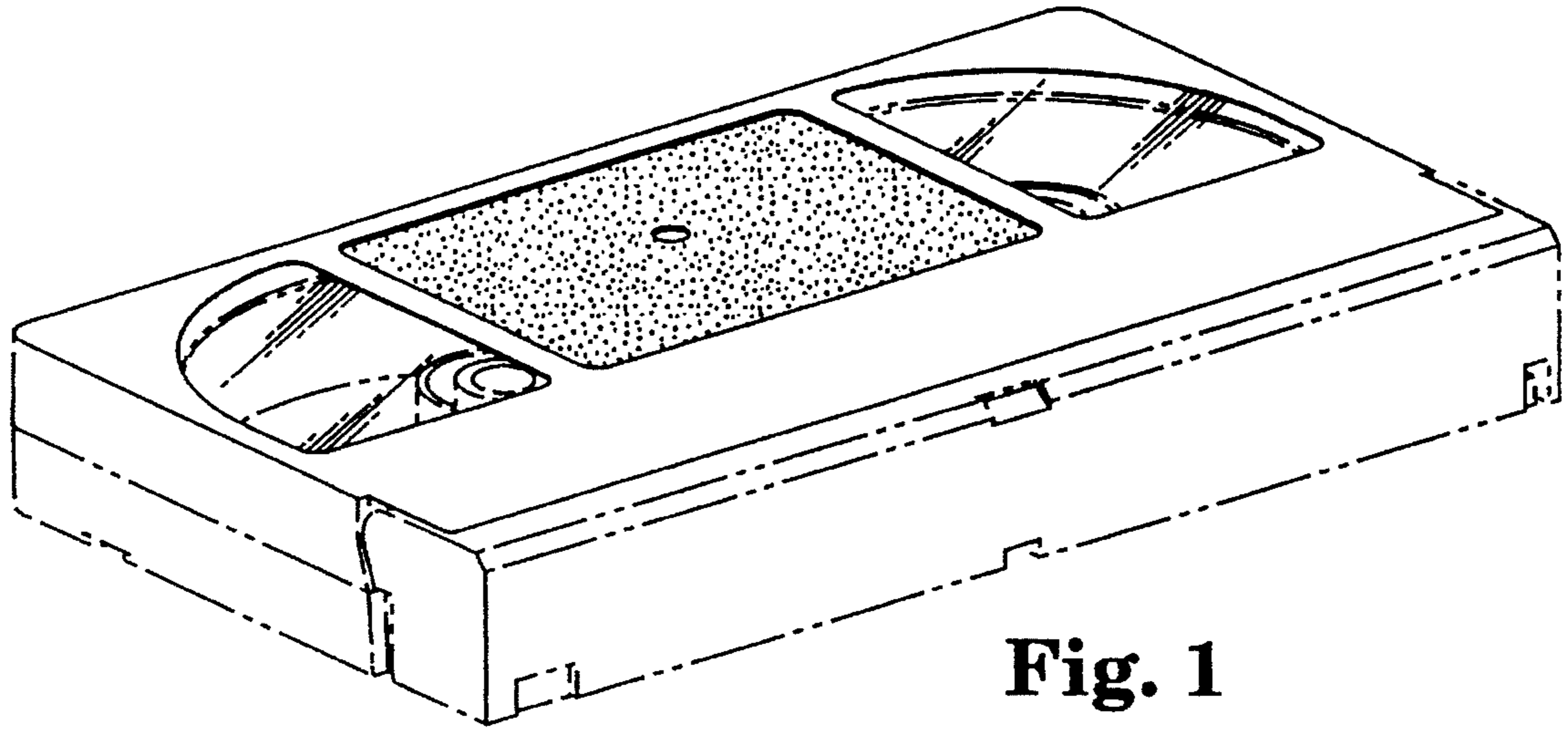


Fig. 1

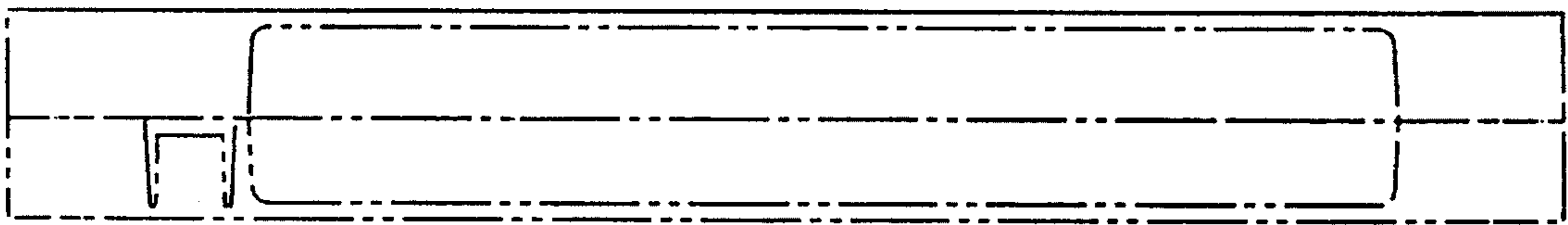


Fig. 2

UNITED STATES PATENT AND TRADEMARK OFFICE
CERTIFICATE OF CORRECTION

PATENT NO. : Des. 365,814
DATED : January 2, 1996
INVENTOR(S) : Bailey, et al

Page 1 of 3

It is certified that error appears in the above-identified patent and that said Letters Patent is hereby corrected as shown below:

The title page, showing an illustrative figure, should be deleted and therefor the attached title page.

Delete Drawing Sheets 1-2, and substitute therefor the Drawing Sheets, consisting of Figs. 1-2, as shown on the attached pages.

Signed and Sealed this
Tenth Day of September, 1996

Attest:



BRUCE LEHMAN

Attesting Officer

Commissioner of Patents and Trademarks

United States Patent [19]

Bailey et al.

[11] **Patent Number: Des. 365,814**

[45] **Date of Patent: **Jan. 2, 1996**

- [54] **WINDOW AND LABEL AREA OF A TOP SURFACE FOR A VIDEOCASSETTE**
- [75] **Inventors: John A. Bailey, Woodbury; Glenn A. Bloomer, Maplewood; Gregory H. Johnson, Oakdale, all of Minn.; Donald J. Staufenberg, Dublin, Ohio**
- [73] **Assignee: Minnesota Mining and Manufacturing Company, St. Paul, Minn.**
- [**] **Term: 14 Years**
- [21] **Appl. No.: 20,922**
- [22] **Filed: Apr. 5, 1994**
- [52] **U.S. Cl. D14/121**
- [58] **Field of Search D14/120-123, D14/299; 206/387.1, 387.12-387.15; 242/342-345, 345.1-345.3, 346, 346.2; 360/132**

D. 348,455	7/1994	Yip	D14/121
4,501,396	2/1985	Tomsyck et al.	242/199
4,754,357	6/1988	Nelson	360/132
4,844,378	7/1989	Oishi	242/344
4,911,298	3/1990	Miyagawa et al.	206/387.1
5,003,425	3/1991	Ozawa	242/346

Primary Examiner—Ted Shooman
Assistant Examiner—Nanda Bondade
Attorney, Agent, or Firm—Gary L. Griswold; Walter N. Kim; Charles D. Levine

[57] **CLAIM**

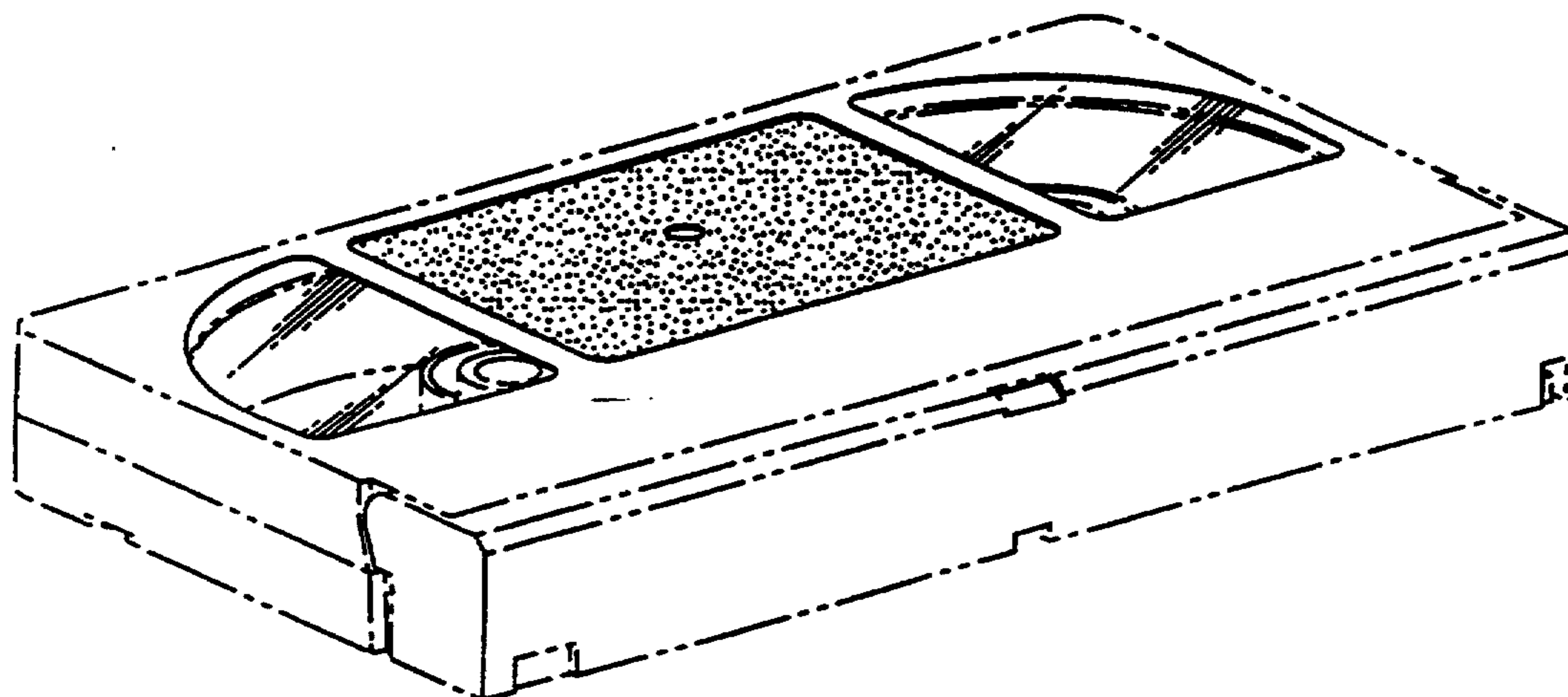
The ornamental design for a window and label area of a top surface for a videocassette, as shown and described.

DESCRIPTION

FIG. 1 is a perspective view of a window and label area of a top surface for a videocassette showing our new design; and
 FIG. 2 is a top plan view thereof.
 The broken line showing of the videocassette and tape reel is for illustrative purposes only and forms no part of the claimed design.

- [56] **References Cited**
 U.S. PATENT DOCUMENTS
 D. 266,419 10/1982 Hashimoto et al. D14/121

1 Claim, 1 Drawing Sheet



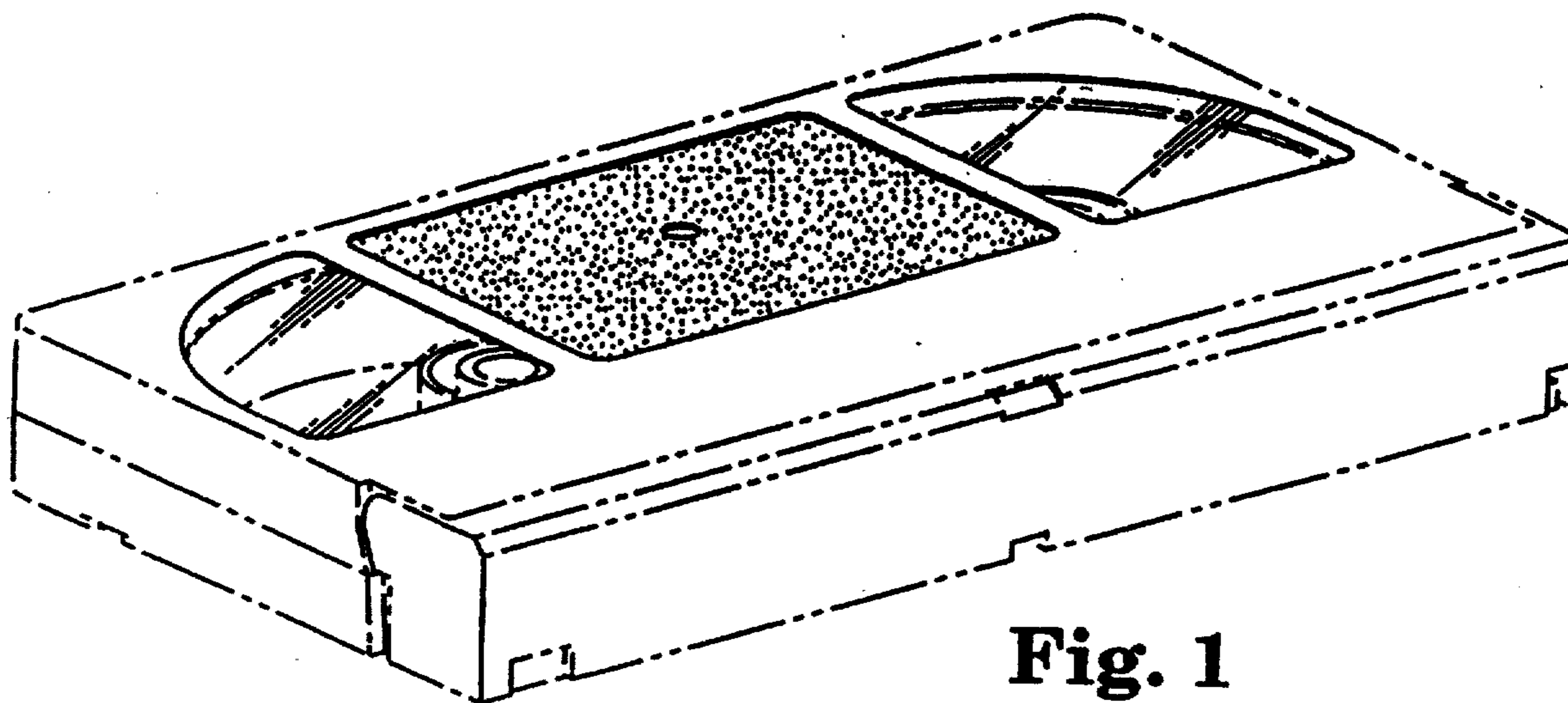


Fig. 1

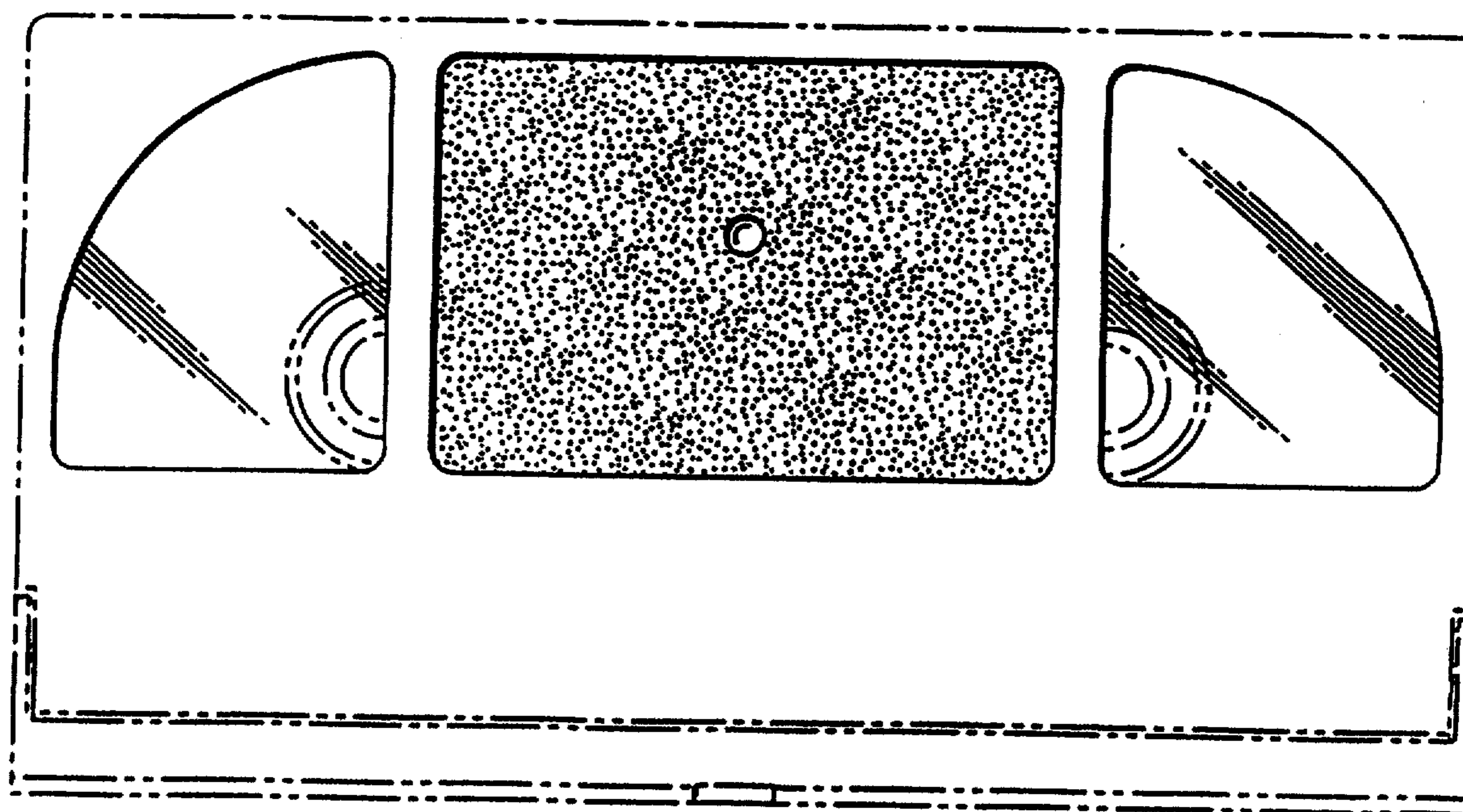


Fig. 2