



US00D365812S

United States Patent [19]

[11] Patent Number: **Des. 365,812**

Johnson et al.

[45] Date of Patent: ****Jan. 2, 1996**

[54] **FRONT PORTION OF A TOP SURFACE FOR A VIDEOCASSETTE**

4,501,396	2/1985	Tomsyck et al.	242/199
4,754,357	6/1988	Nelson	360/132
4,844,378	7/1989	Oishi	242/344
4,911,298	3/1990	Miyagawa et al.	206/387.1
5,003,425	3/1991	Ozawa	242/346

[75] Inventors: **Gregory H. Johnson**, Oakdale, Minn.;
Mark J. Ciesko, Hilliard, Ohio

[73] Assignee: **Minnesota Mining and Manufacturing Company**, St Paul, Minn.

Primary Examiner—Ted Shooman
Assistant Examiner—Nanda Bondade
Attorney, Agent, or Firm—Gary L. Griswold; Walter N. Kim; Charles D. Levine

[**] Term: **14 Years**

[57] CLAIM

[21] Appl. No.: **20,912**

The ornamental design for a front portion of a top surface for a videocassette, as shown and described.

[22] Filed: **Apr. 5, 1994**

[52] U.S. Cl. **D14/121**

DESCRIPTION

[58] **Field of Search** D14/120-123,
D14/299; 206/387.1, 387.12-387.15; 242/342-345,
345.1-345.3, 346, 346.2; 360/132

FIG. 1 is a perspective view of a front portion of a top surface for a videocassette showing our new design; and FIG. 2 is a top plan view thereof.

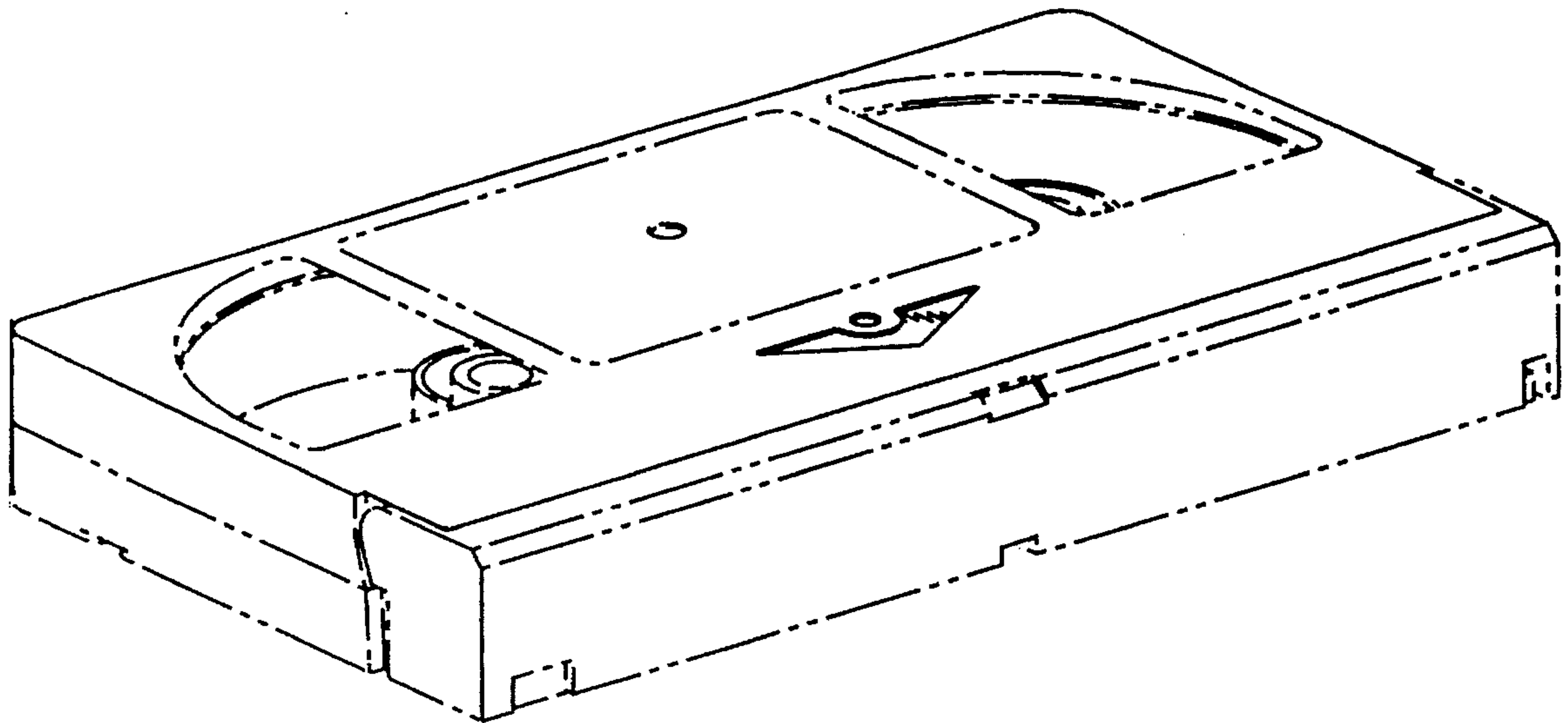
[56] References Cited

The broken line showing of the videocassette and tape reel is for illustrative purposes only and forms no part of the claimed design.

U.S. PATENT DOCUMENTS

D. 266,419	10/1982	Hashimoto et al.	D14/121
D. 348,455	7/1994	Yip	D14/121

1 Claim, 1 Drawing Sheet



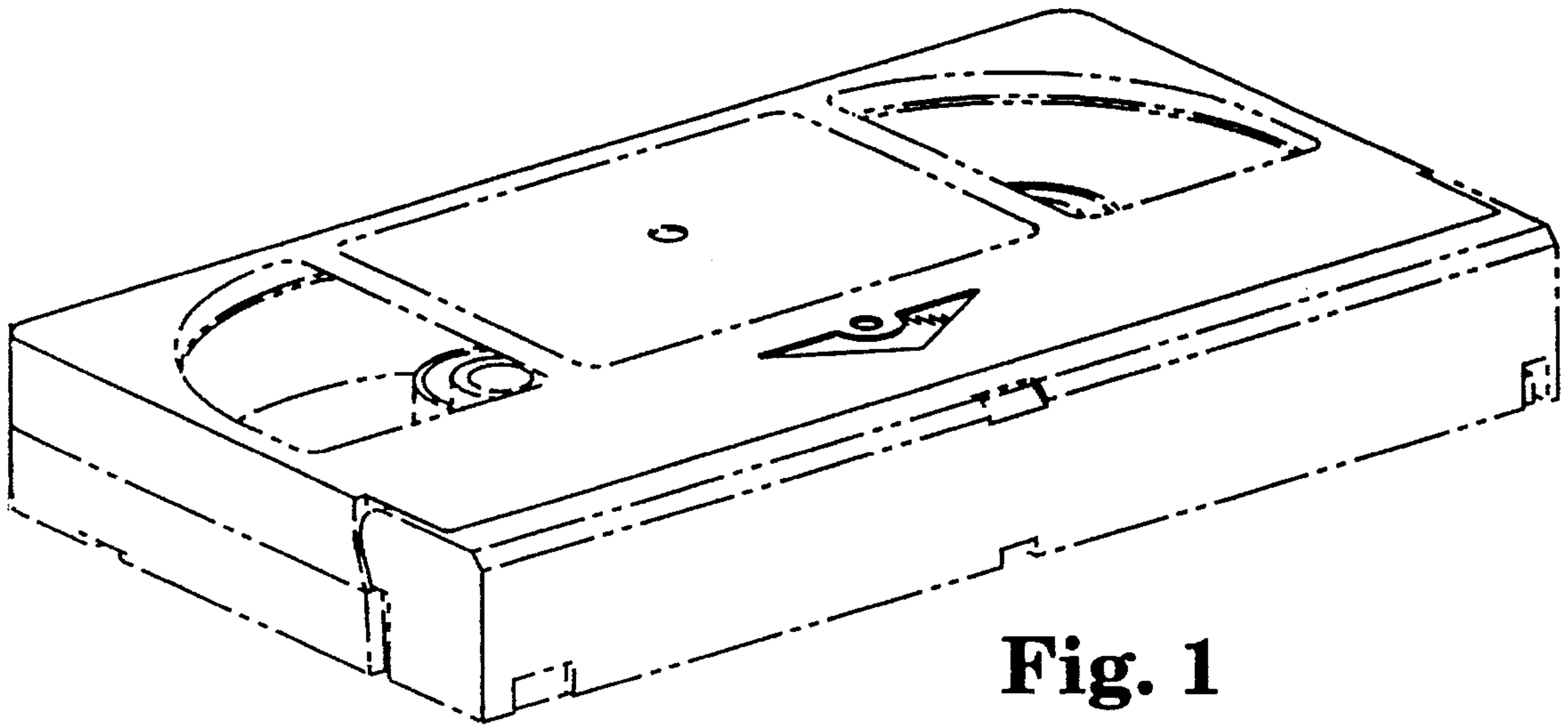


Fig. 1

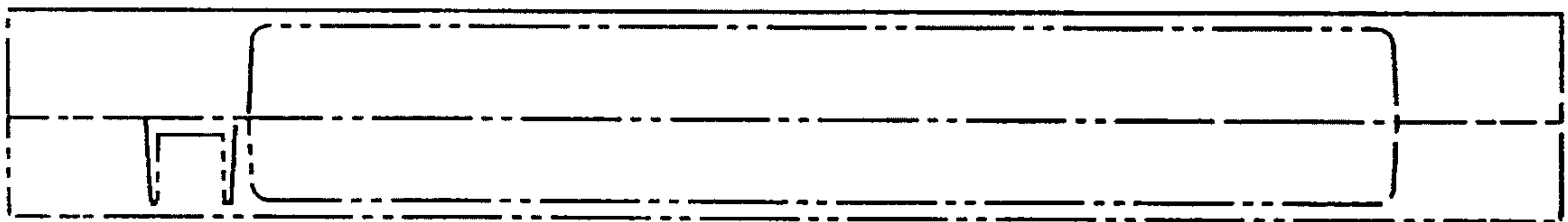


Fig. 2

UNITED STATES PATENT AND TRADEMARK OFFICE
CERTIFICATE OF CORRECTION

PATENT NO.: Des. 365,812
DATED: January 2, 1996
INVENTOR(S): Johnson et al.

Page 1 of 2

It is certified that error appears in the above-identified patent and that said Letters Patent is hereby corrected as shown below:

The sheet of drawings, consisting of figures 1 and 2, should be deleted to appear as per attached sheet.

Signed and Sealed this
Thirteenth Day of August, 1996

Attest:



BRUCE LEHMAN

Attesting Officer

Commissioner of Patents and Trademarks

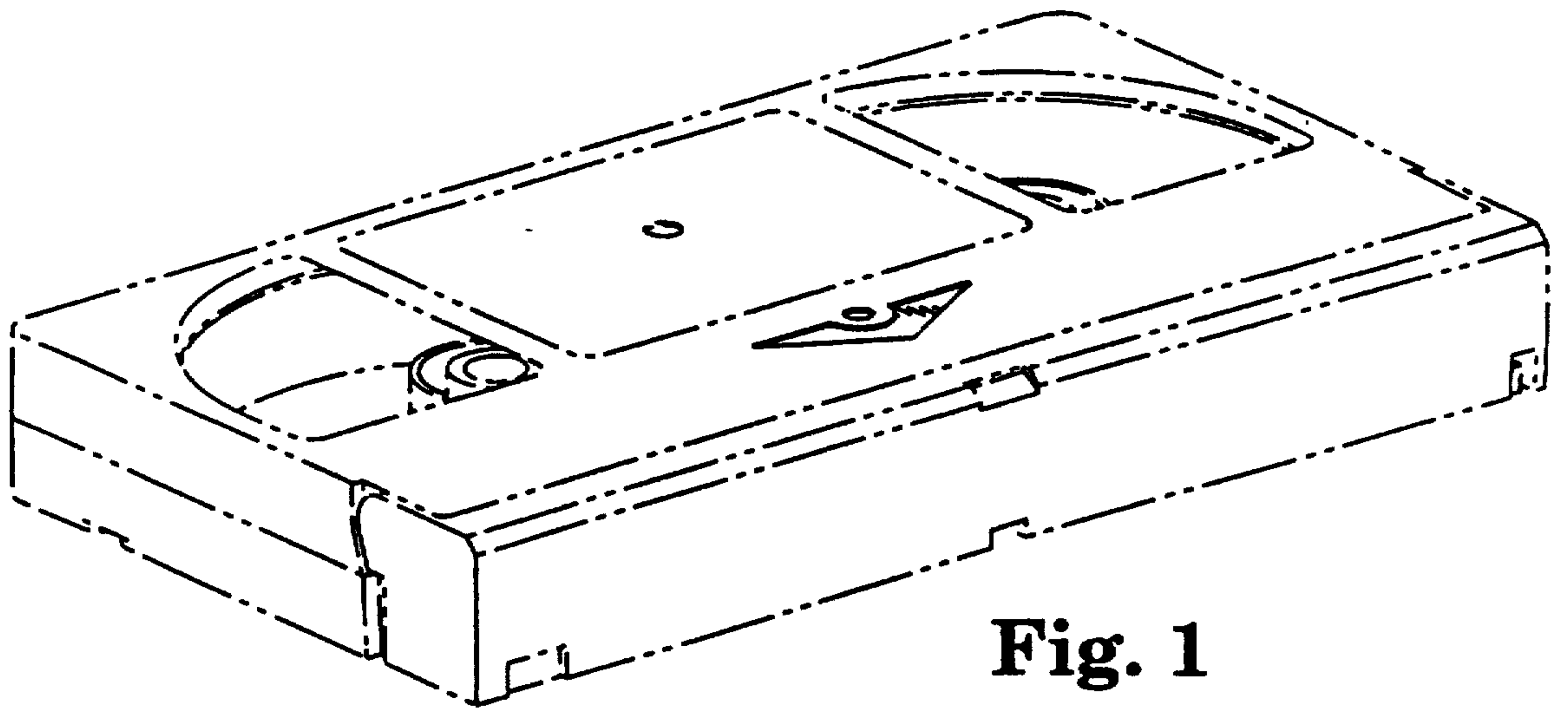


Fig. 1

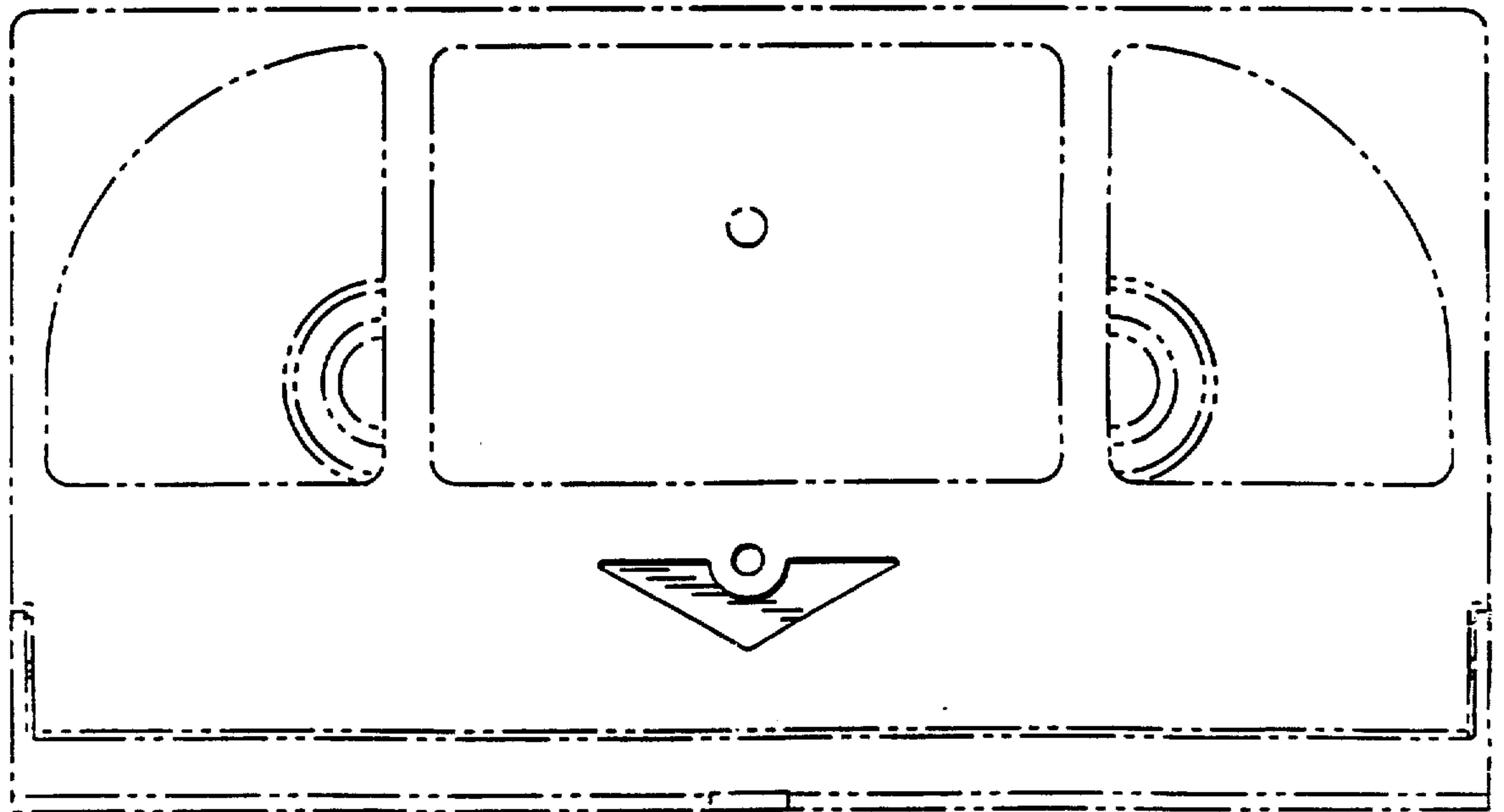


Fig. 2