



US00D365811S

United States Patent [19]

[11] **Patent Number: Des. 365,811**

Kemp et al.

[45] **Date of Patent: **Jan. 2, 1996**

[54] **BEZEL**

D. 317,447	6/1991	Ishida	D14/113
D. 344,684	3/1994	Metz et al.	D13/177 X
D. 348,256	6/1994	Basco et al.	D14/113
D. 354,948	1/1995	Moodie	D14/100

[75] Inventors: **James J. Kemp**, Pleasant Plain, Ohio;
Edgar B. Montague; **Mark D. Gildersleeve**, both of Charlotte, N.C.

Primary Examiner—Freda Nunn
Attorney, Agent, or Firm—John W. Gregg

[73] Assignee: **Cincinnati Milacron Inc.**, Cincinnati, Ohio

[57] **CLAIM**

[**] Term: **14 Years**

The ornamental design for bezel, as shown and described.

[21] Appl. No.: **35,569**

DESCRIPTION

[22] Filed: **Mar. 2, 1995**

[52] **U.S. Cl.** **D14/115**

[58] **Field of Search** D14/100, 102,
D14/109, 115, 107, 108, 257, 258; D13/162,
184, 199, 164, 177; D10/103; 358/249,
254

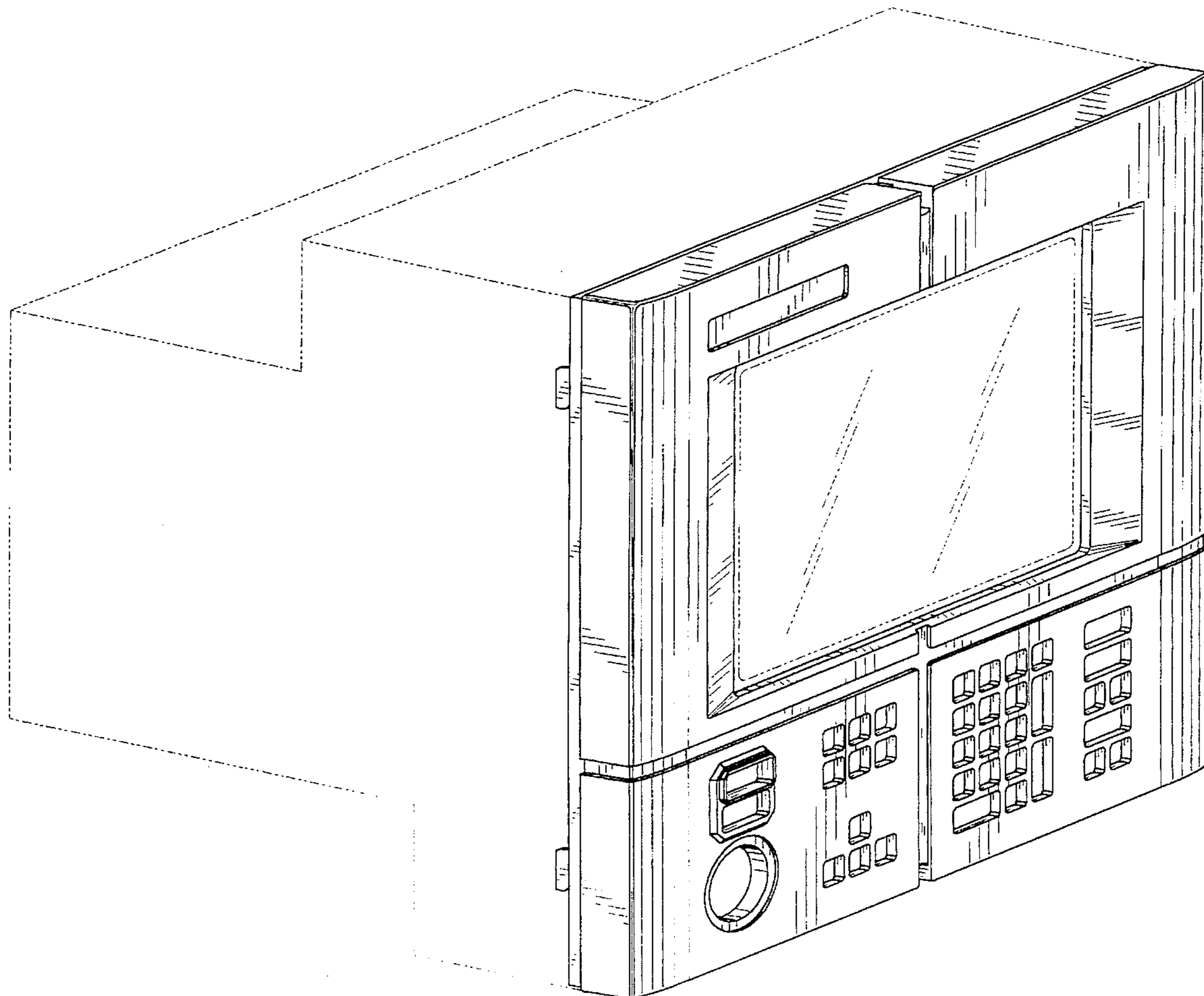
FIG. 1 is a perspective view of the bezel showing our new design the broken lines being shown for illustrative purposes only and forming no part of the claimed design;
FIG. 2 is a front elevational view thereof the undisclosed rear elevational view is totally obscured from view when in use and therefore does not form a part of the claimed design;
FIG. 3 is a top plan view thereof;
FIG. 4 is a bottom plan view thereof;
FIG. 5 is a right side elevational view thereof;
FIG. 6 is a left side elevational view thereof.

[56] **References Cited**

U.S. PATENT DOCUMENTS

D. 255,121	5/1980	Roch	D14/115 X
D. 313,982	1/1991	Eilert et al.	D14/115

1 Claim, 3 Drawing Sheets



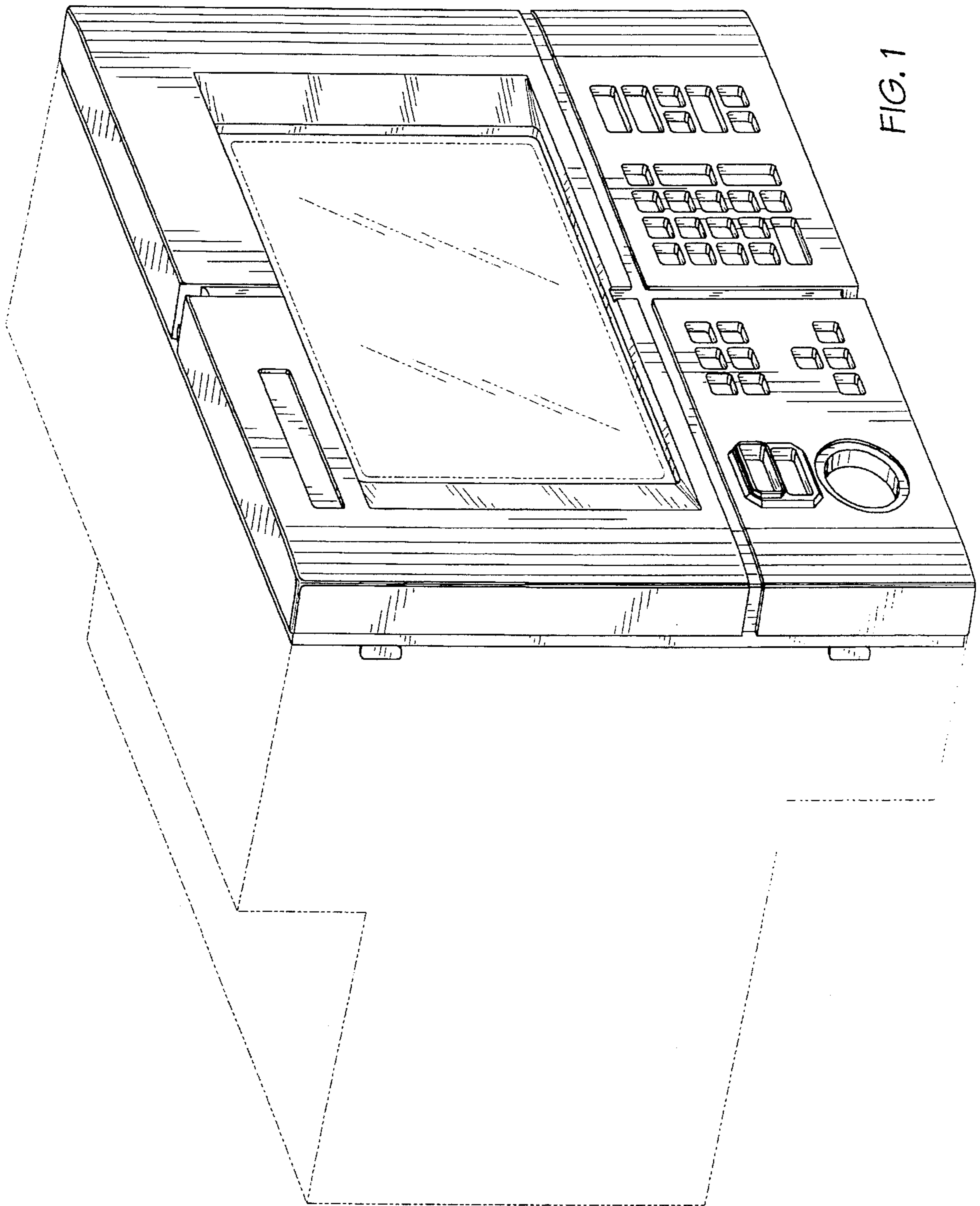


FIG. 1

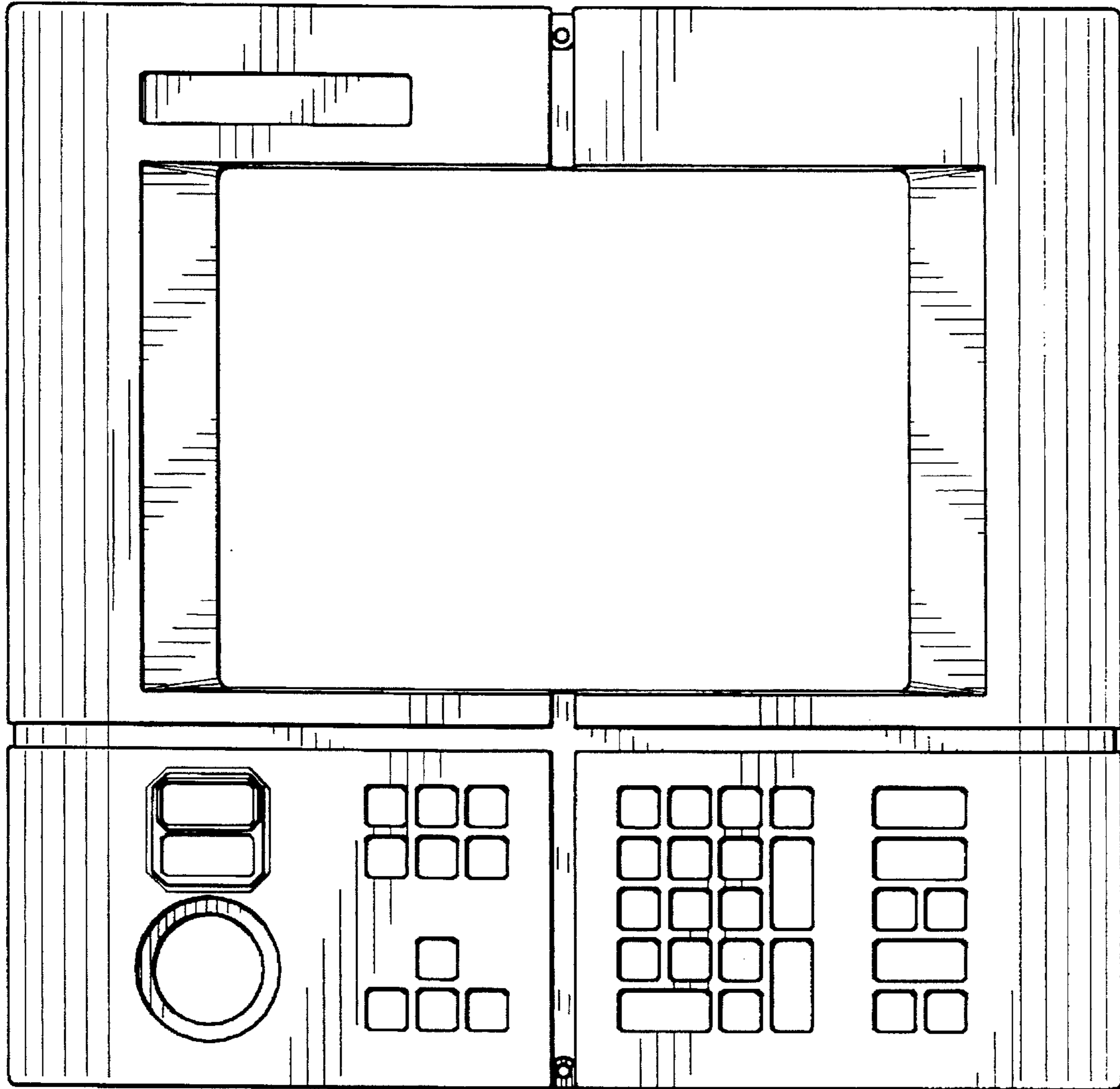


FIG. 2

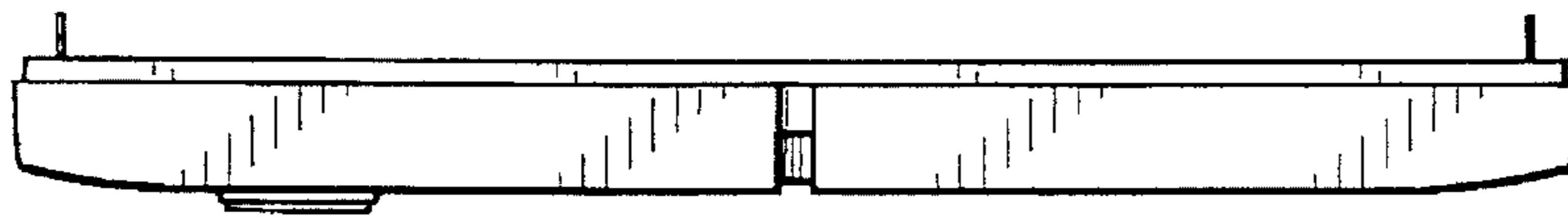


FIG. 3



FIG. 4

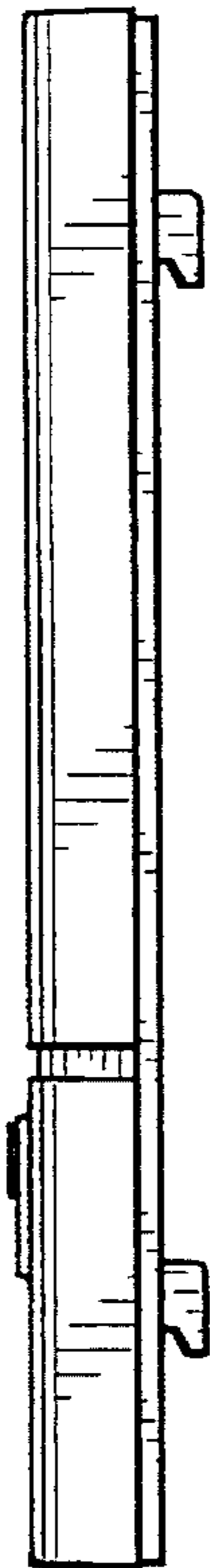


FIG. 5

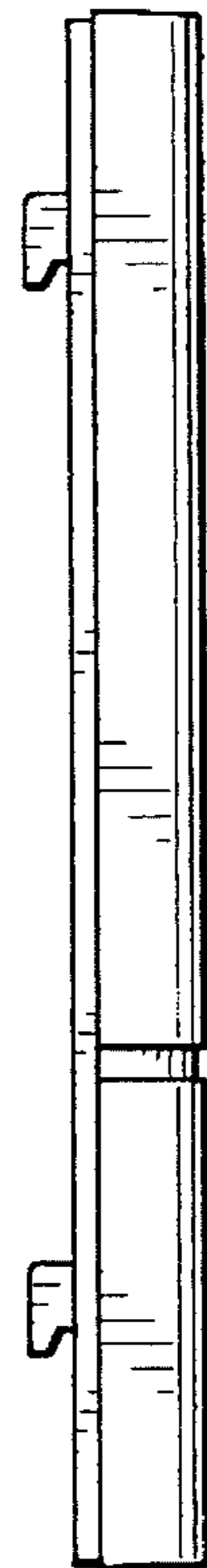


FIG. 6