



US00D365810S

United States Patent [19]
Esslinger

[11] **Patent Number: Des. 365,810**

[45] **Date of Patent: **Jan. 2, 1996**

[54] **COMPUTER MOUSE**

[75] Inventor: **Hartmut H. Esslinger**, Los Gatos, Calif.

[73] Assignee: **Packard Bell Electronics, Inc.**, Westlake Village, Calif.

[**] Term: **14 Years**

[21] Appl. No.: **24,325**

[22] Filed: **Jun. 13, 1994**

[52] **U.S. Cl.** **D14/114**

[58] **Field of Search** **D14/100, 114; D13/158; D21/48; 178/18-19; 200/5 R, 5 A, 6 R, 6 A; 213/148 B; 273/148 B, 438; 345/156-167; 74/471 XY**

[56] **References Cited**

U.S. PATENT DOCUMENTS

D. 328,596 8/1992 Manabe D14/114
D. 328,597 8/1992 Clouss D14/114

D. 340,923 11/1993 Tso D14/114
D. 349,280 8/1994 Kaneko D14/114
D. 349,493 8/1994 Cheng D14/114
5,157,381 10/1992 Cheng D14/114 X

Primary Examiner—Melanie H. Tung
Attorney, Agent, or Firm—Wilson, Sonsini, Goodrich & Rosati

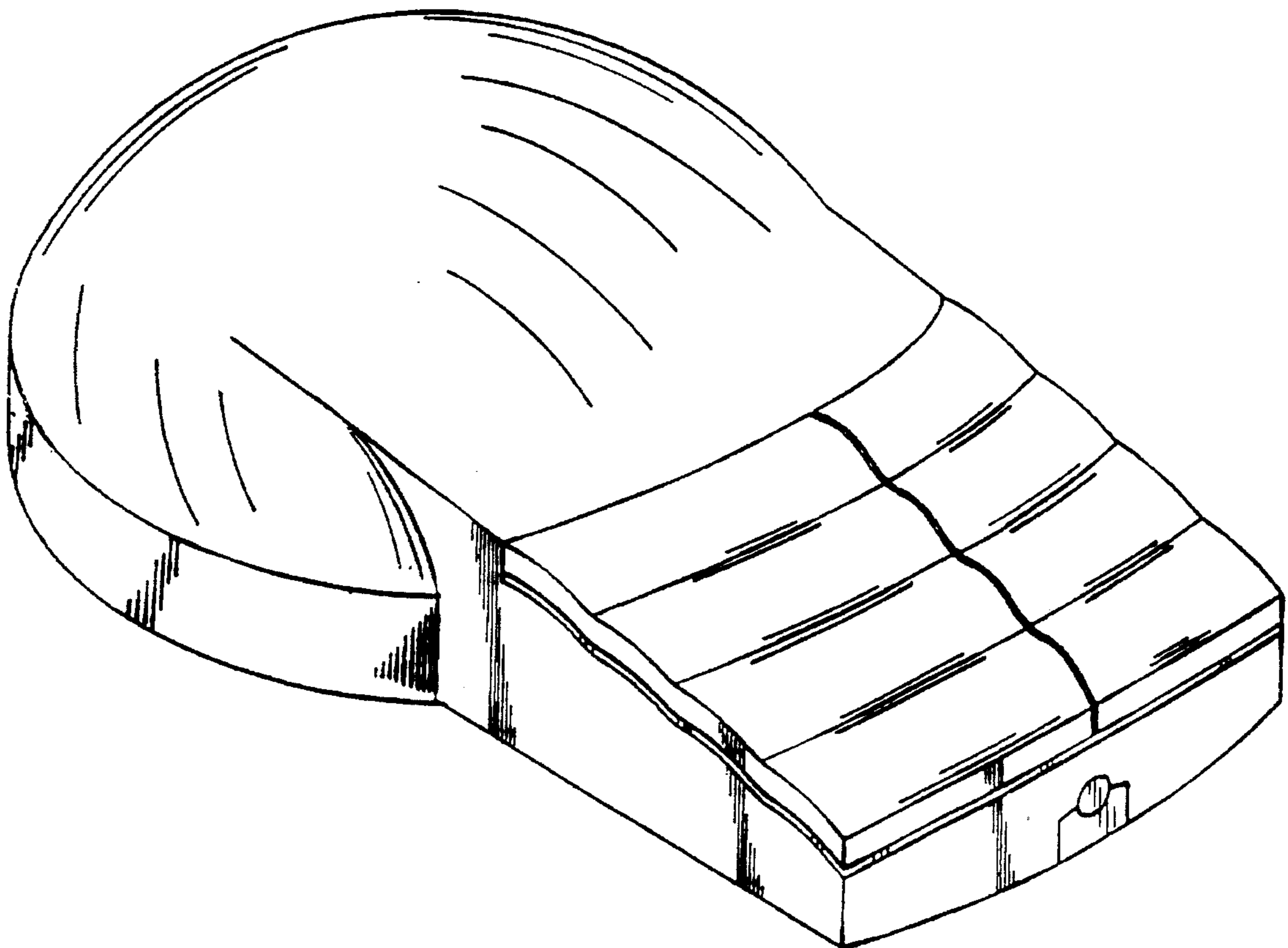
[57] **CLAIM**

The ornamental design for a computer mouse, as shown and described.

DESCRIPTION

FIG. 1 is a top, front, right perspective view of a computer mouse showing my new design;
FIG. 2 is a right side elevation thereof;
FIG. 3 is a left side elevation thereof;
FIG. 4 is a front elevation thereof;
FIG. 5 is a rear elevation thereof;
FIG. 6 is a bottom plan view thereof; and
FIG. 7 is a top plan view thereof.

1 Claim, 7 Drawing Sheets



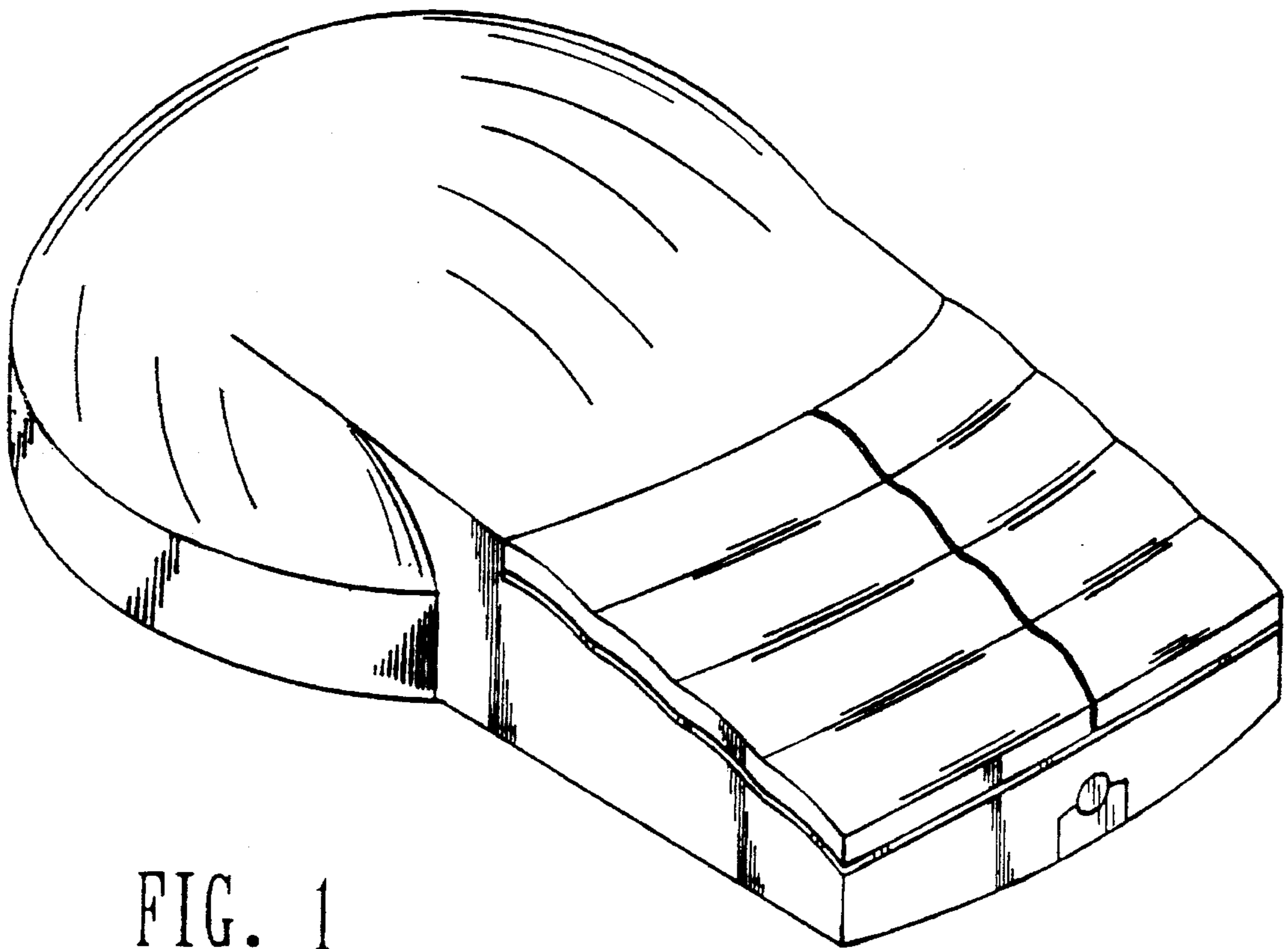


FIG. 1

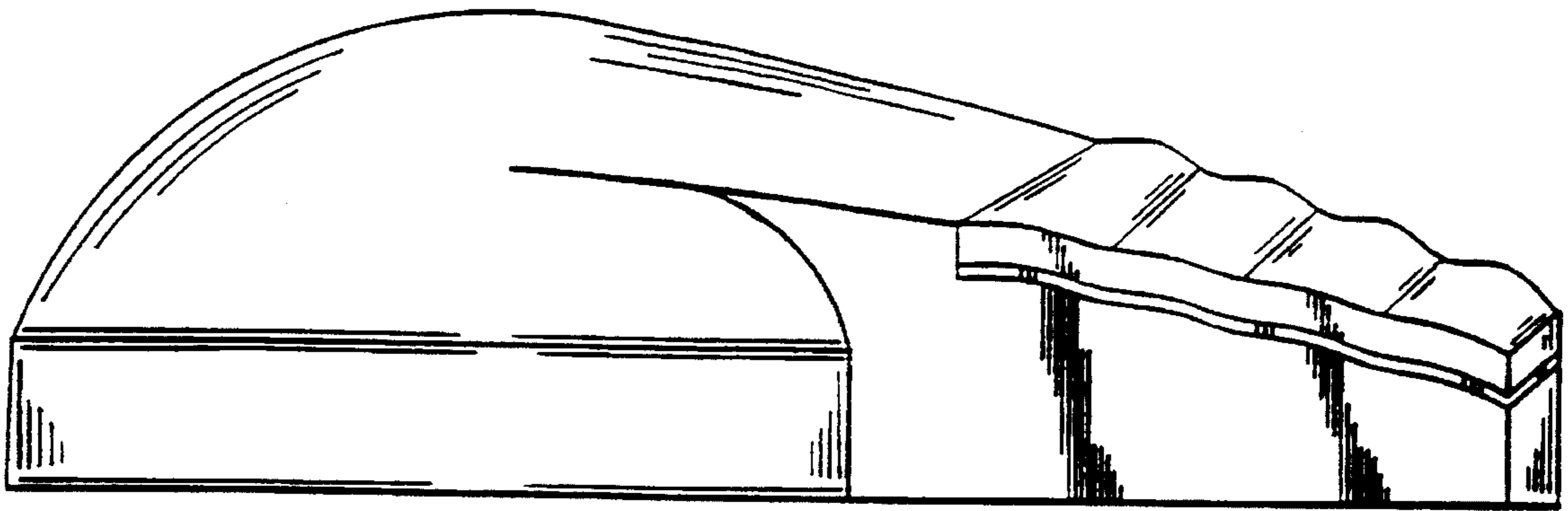


FIG. 2

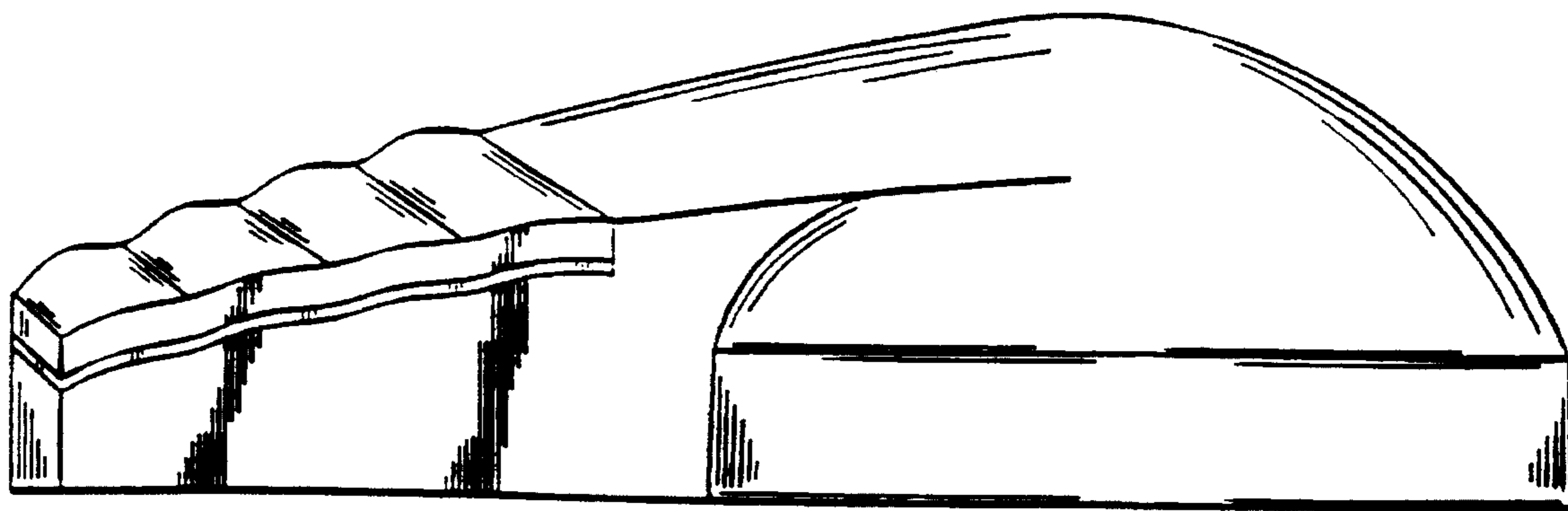


FIG. 3

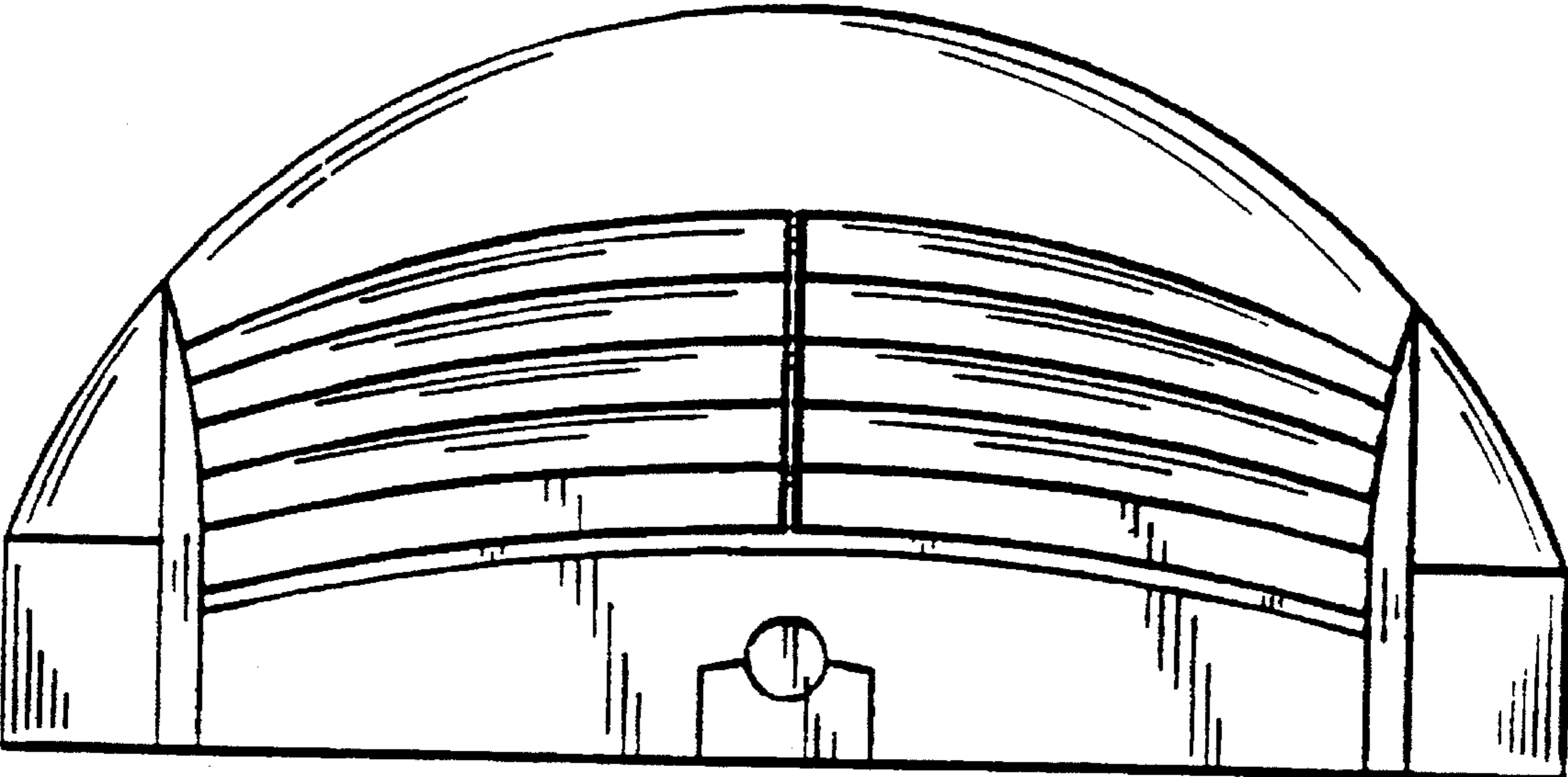


FIG. 4

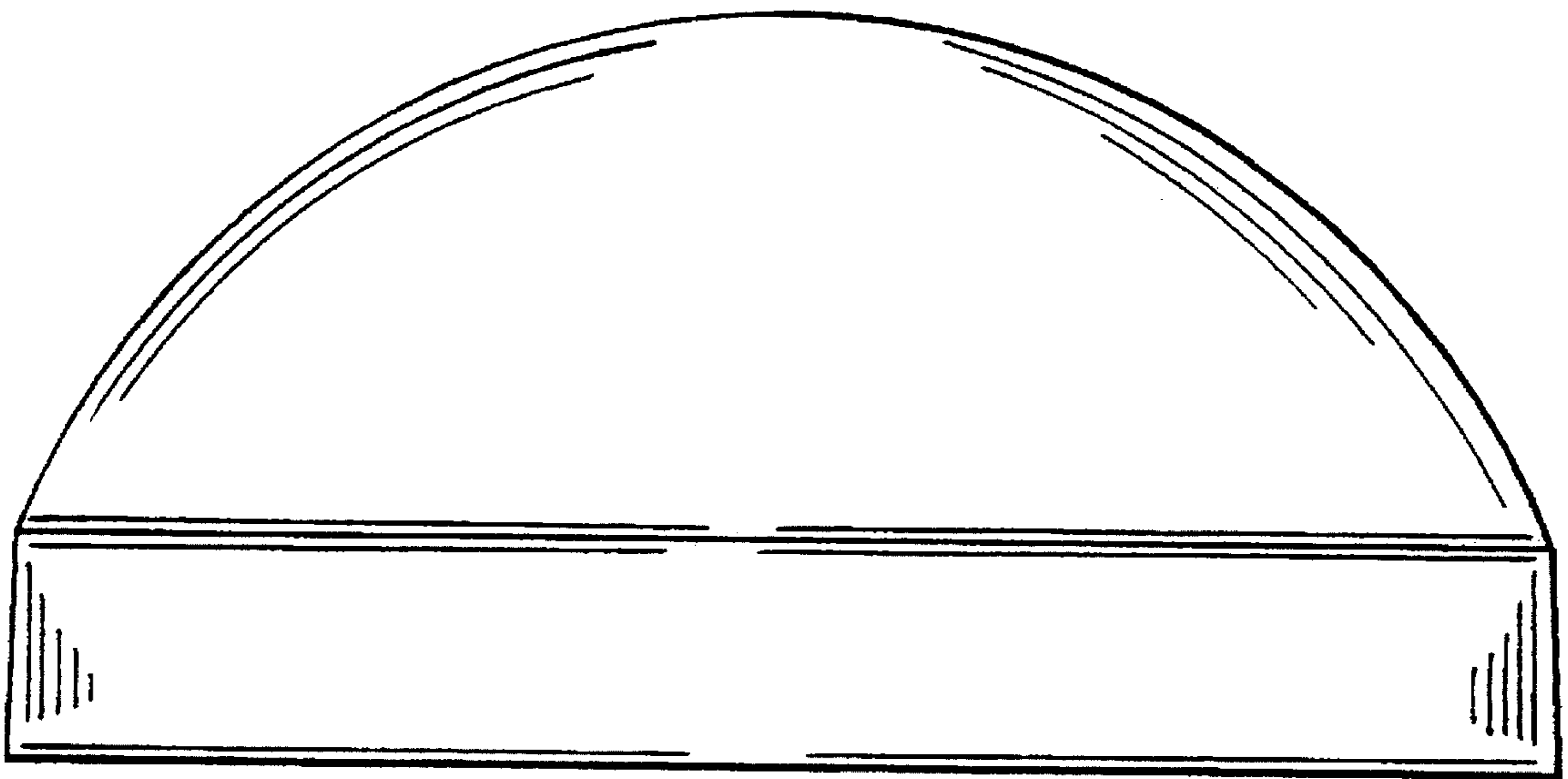


FIG. 5

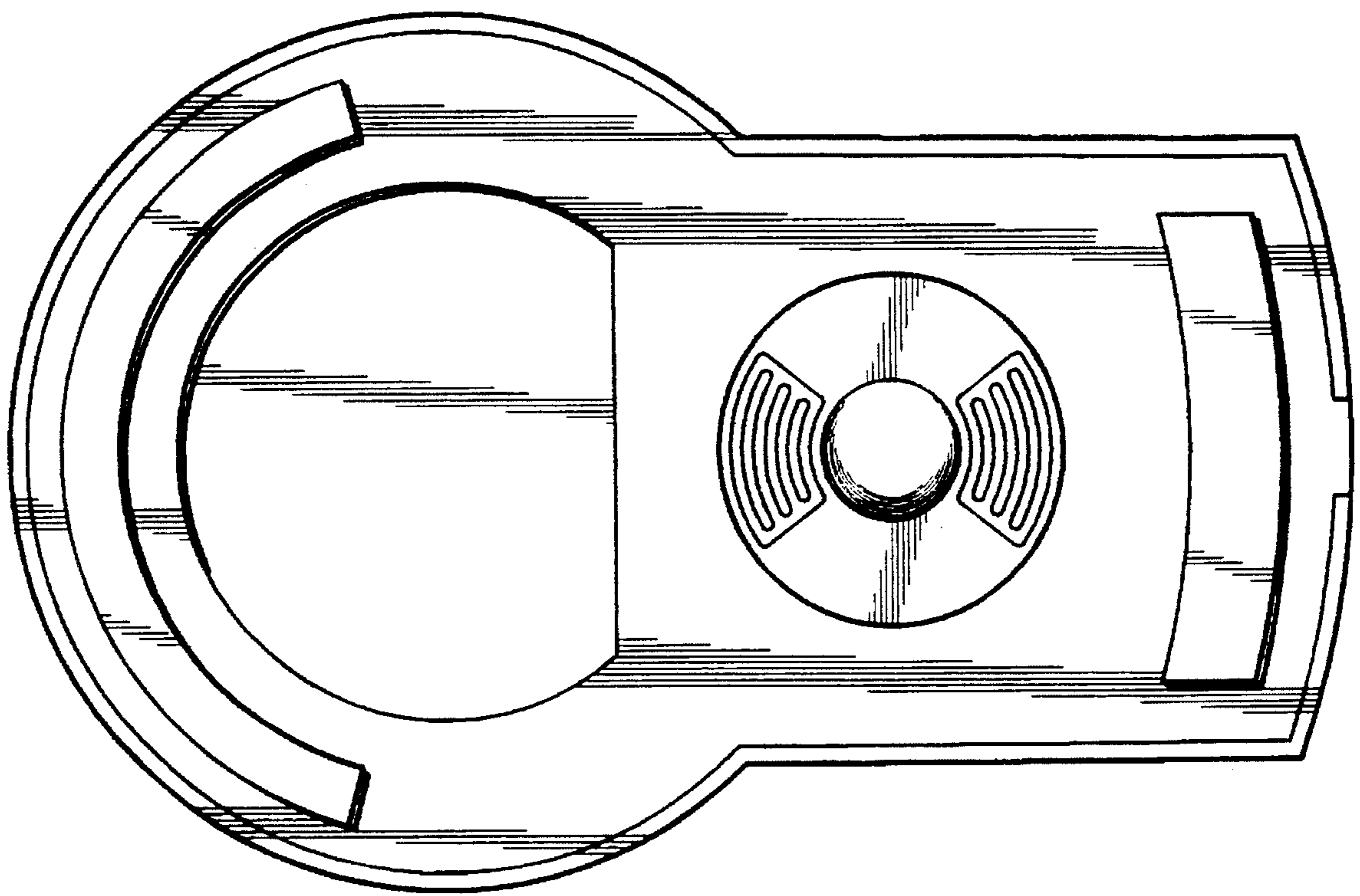


FIG. 6

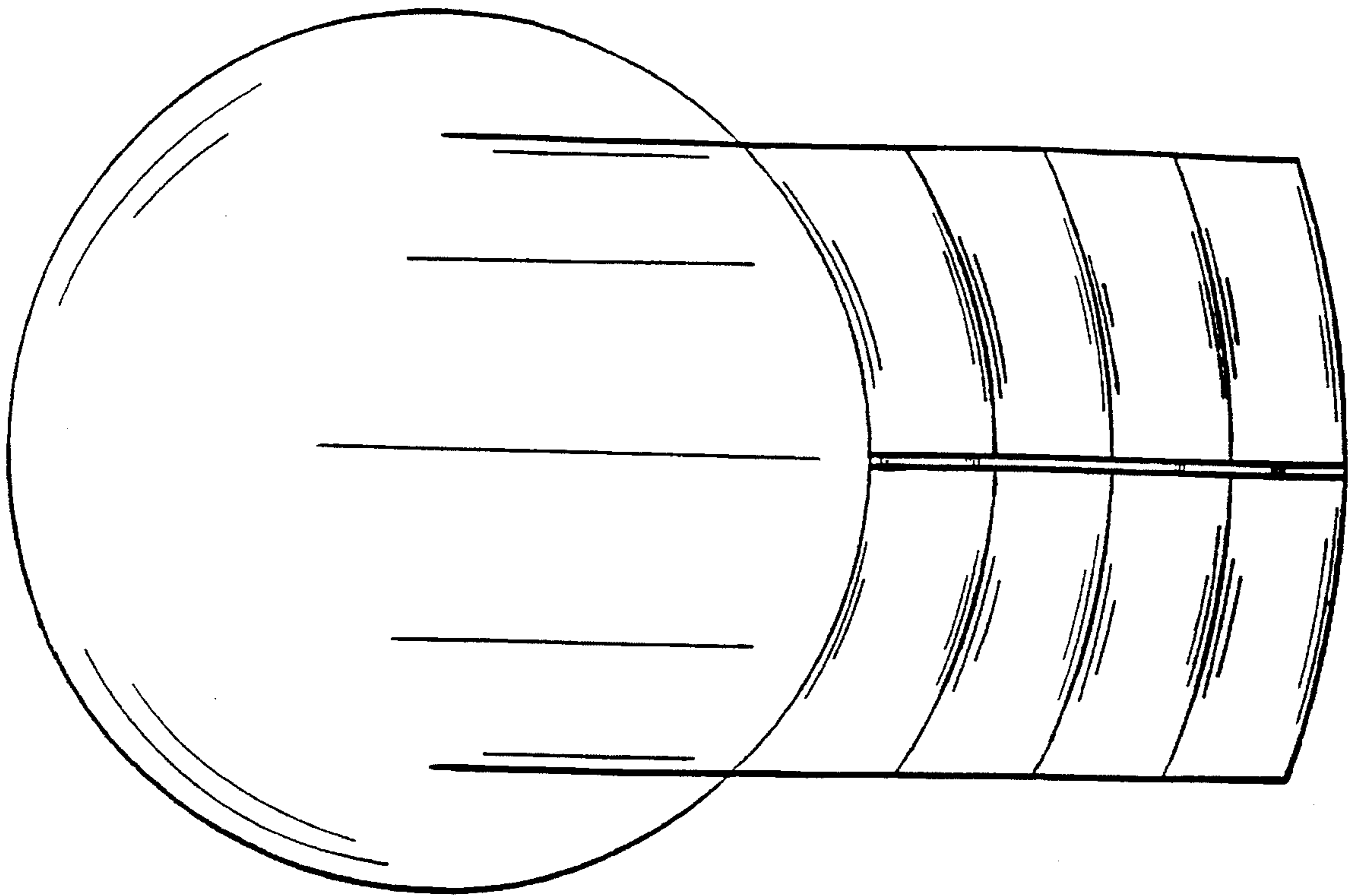


FIG. 7