



US00D365806S

# United States Patent [19]

[11] Patent Number: **Des. 365,806**

Hayami et al.

[45] Date of Patent: **\*\*Jan. 2, 1996**

[54] **PORTABLE LAPTOP COMPUTER**

[75] Inventors: **Takayuki Hayami; Masahiko Moriwaki; Shinichi Sugihara**, all of Osaka, Japan

[73] Assignee: **Matsushita Electric Industrial Co., Ltd.**, Osaka, Japan

[\*\*] Term: **14 Years**

[21] Appl. No.: **30,066**

[22] Filed: **Oct. 21, 1994**

D. 359,032 6/1995 Wang ..... D14/106  
 5,355,357 10/1994 Yamamori et al. .... D14/106 X

### FOREIGN PATENT DOCUMENTS

M9400198 7/1994 Germany ..... D14/106

*Primary Examiner*—Freda Nunn  
*Attorney, Agent, or Firm*—Sughrue, Mion, Zinn, Macpeak & Seas

### [57] CLAIM

The ornamental design for a portable laptop computer, as shown and described.

### DESCRIPTION

FIG. 1 is a perspective view of the top, front and right side with an outer cover in the open position of a portable laptop computer showing our new design;  
 FIG. 2 is a front elevational view thereof;  
 FIG. 3 is a rear elevational view thereof;  
 FIG. 4 is a top plan view thereof;  
 FIG. 5 is a bottom plan view thereof;  
 FIG. 6 is a left side elevational view thereof;  
 FIG. 7 is a right side elevational view thereof;  
 FIG. 8 is a right side elevational view thereof with an inner cover in the raised position;  
 FIG. 9 is a perspective view similar to FIG. 1 with the outer cover and inner cover in the raised position; and,  
 FIG. 10 is a perspective view similar to FIG. 1 with the inner and outer covers in the closed position thereof.

[30] **Foreign Application Priority Data**

Jun. 21, 1994 [JP] Japan ..... 6-18360

[52] **U.S. Cl.** ..... **D14/106**

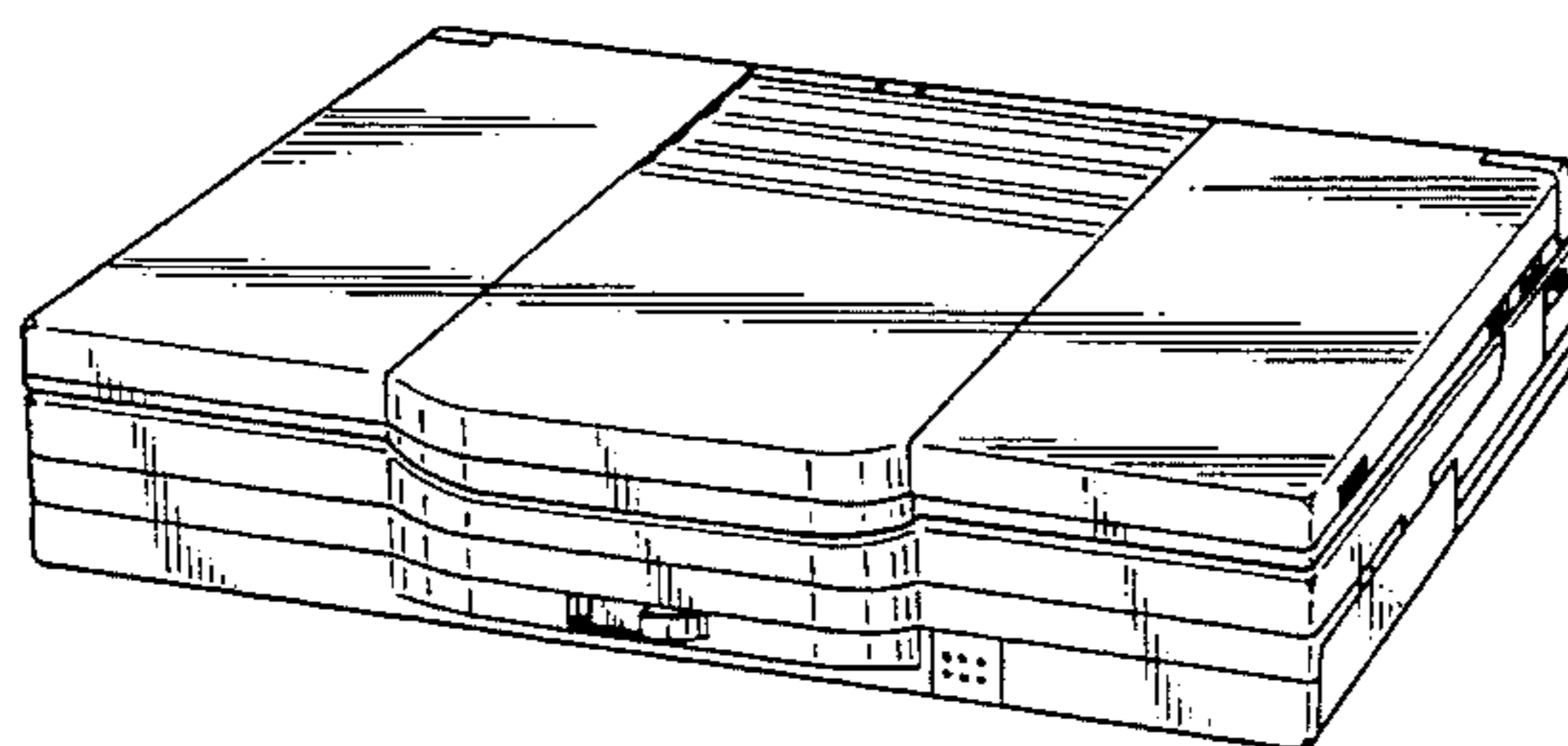
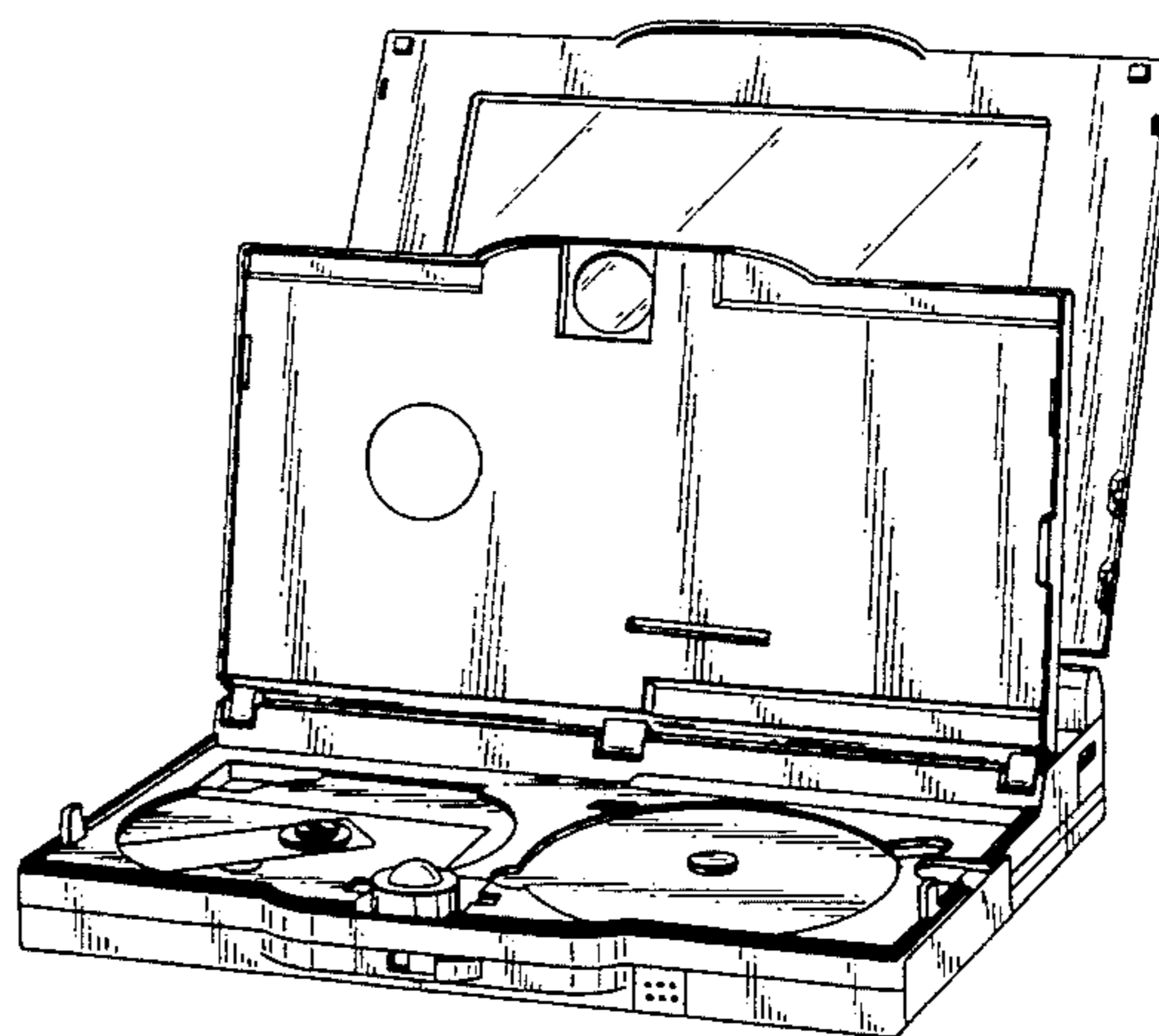
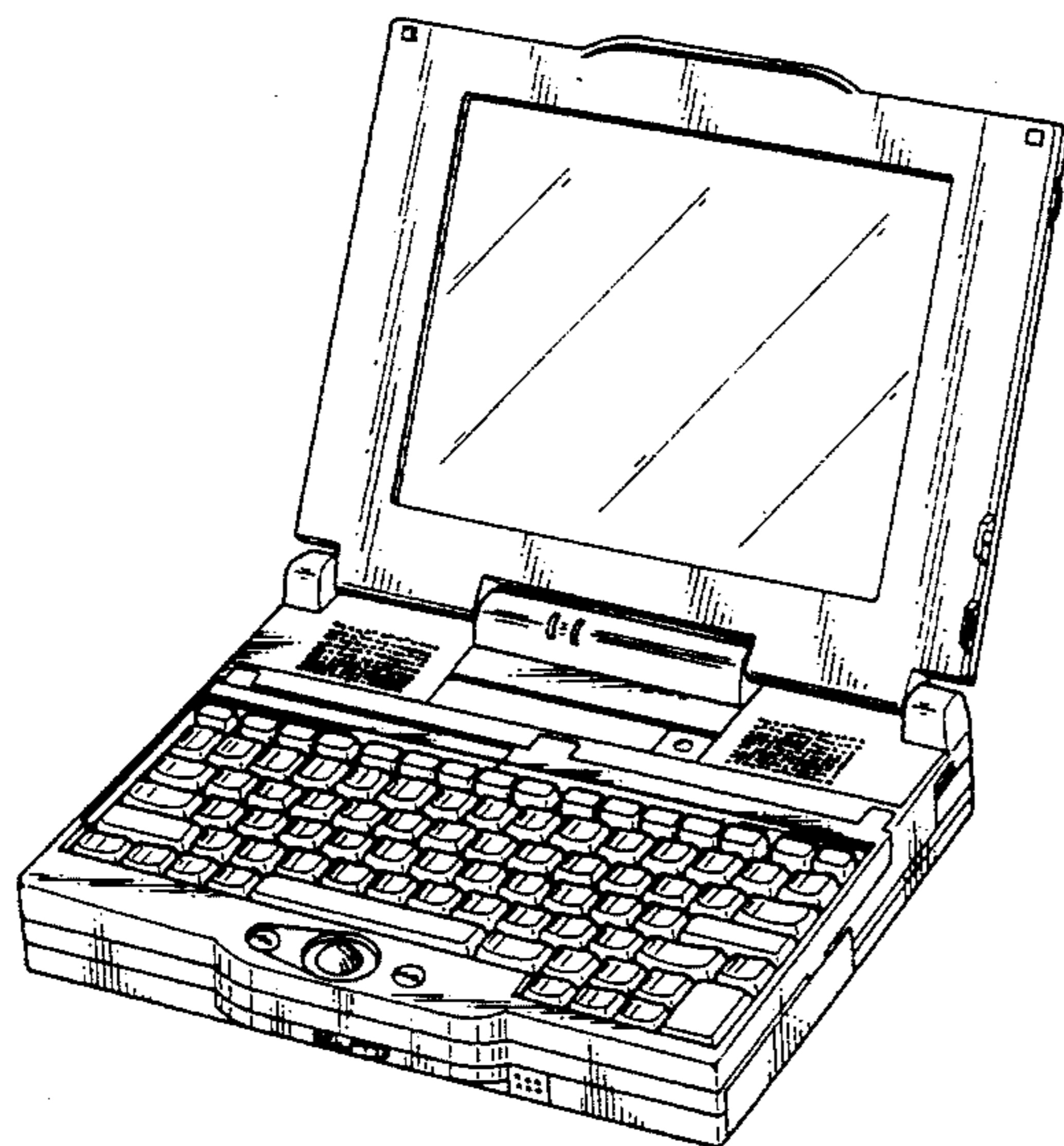
[58] **Field of Search** ..... D14/100, 101, D14/106, 113, 115, 156, 124-127; D18/1, 7, 11, 12; 235/145 A, 145 R; 345/104, 156, 168, 173, 901-905, 87; 341/22, 23; 361/679-686; 364/708.1, 709.04, 709.12; 400/486, 489

### [56] References Cited

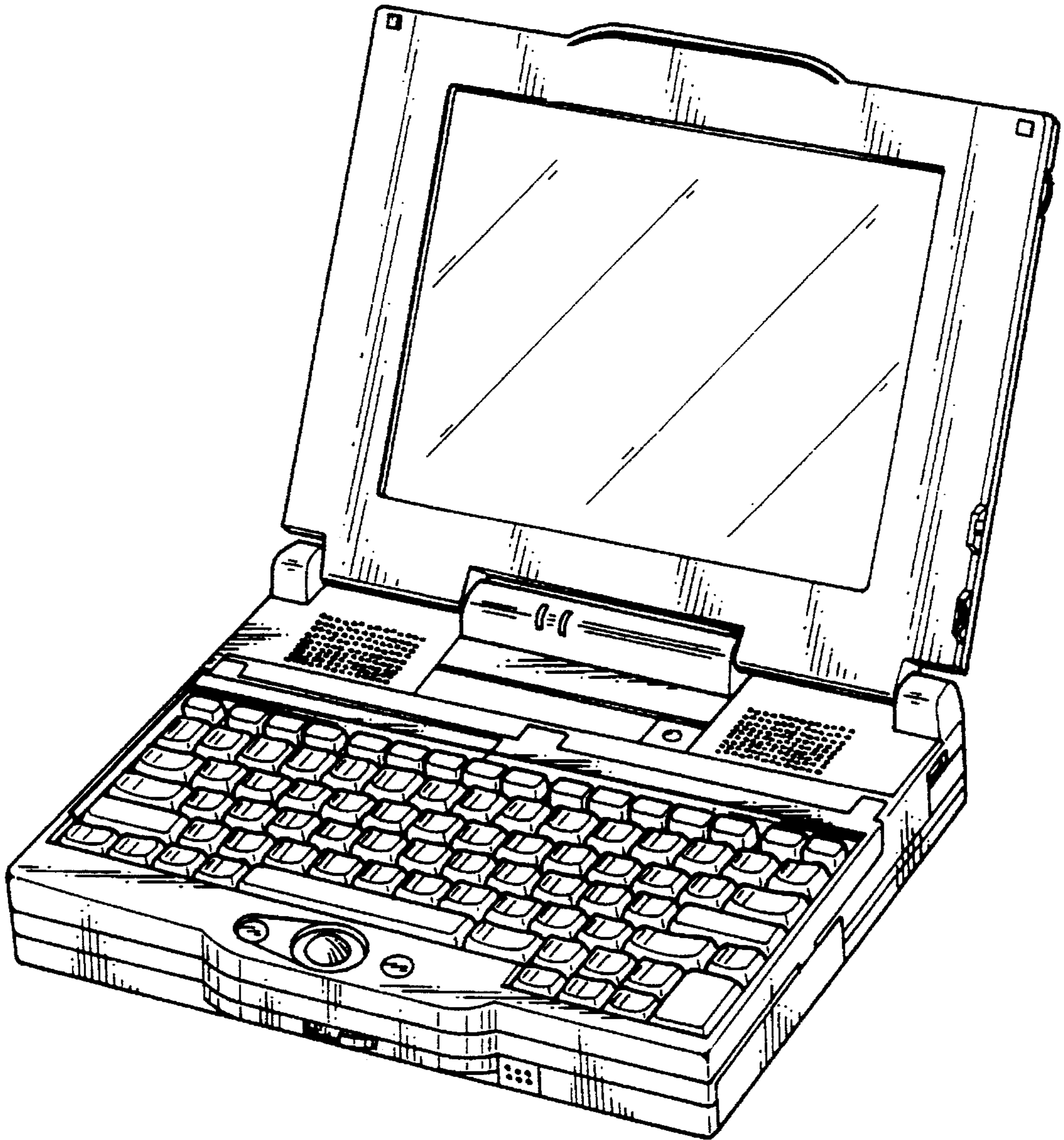
#### U.S. PATENT DOCUMENTS

D. 343,831 2/1994 Spoeth ..... D14/106  
 D. 350,121 8/1994 Kaneko ..... D14/106  
 D. 354,950 1/1995 Imai ..... D14/106  
 D. 356,069 3/1995 Lee ..... D14/106  
 D. 358,584 5/1995 Kawazoe et al. .... D14/106

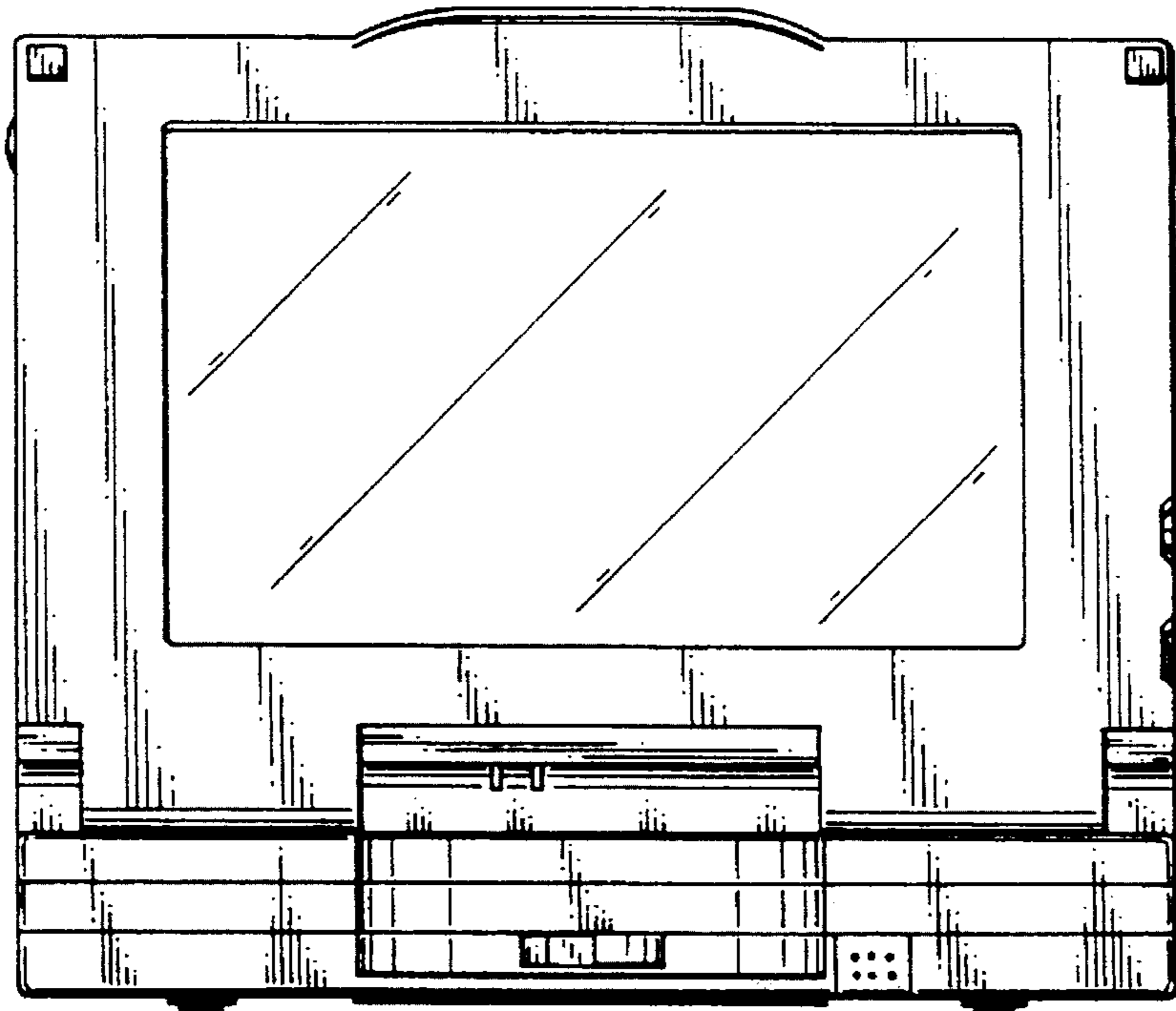
**1 Claim, 8 Drawing Sheets**



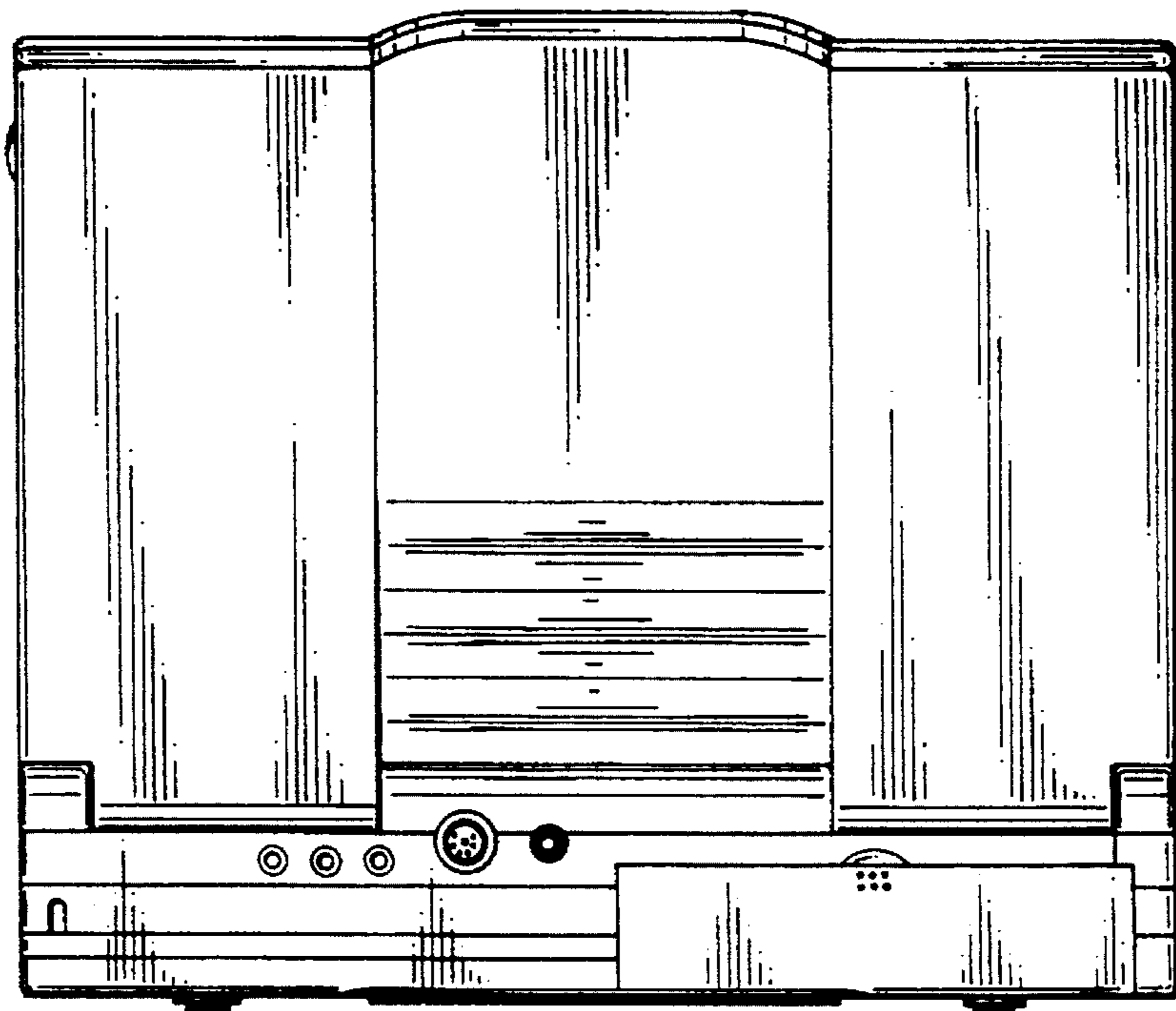
*Fig. 1*



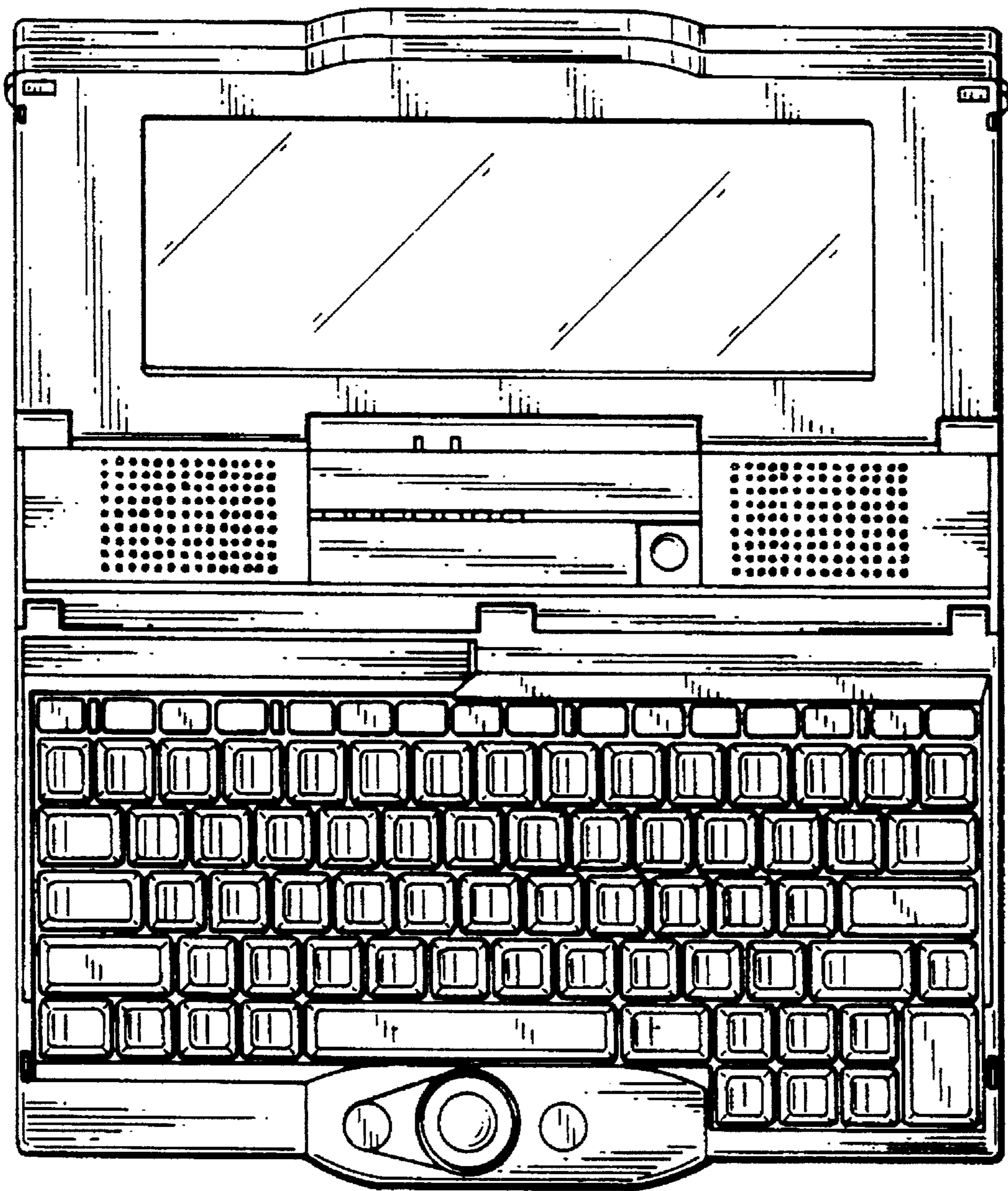
*Fig. 2*



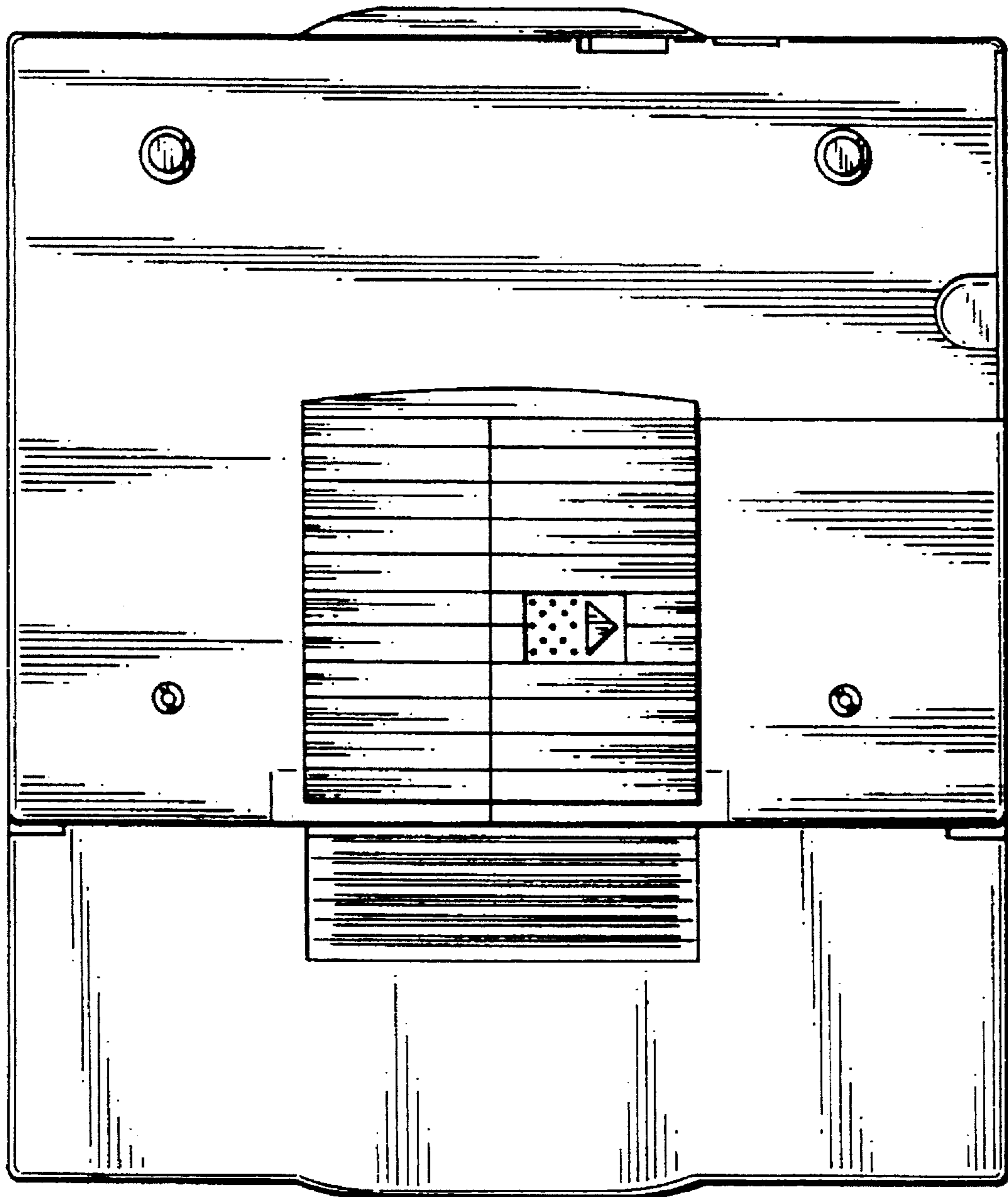
*Fig. 3*



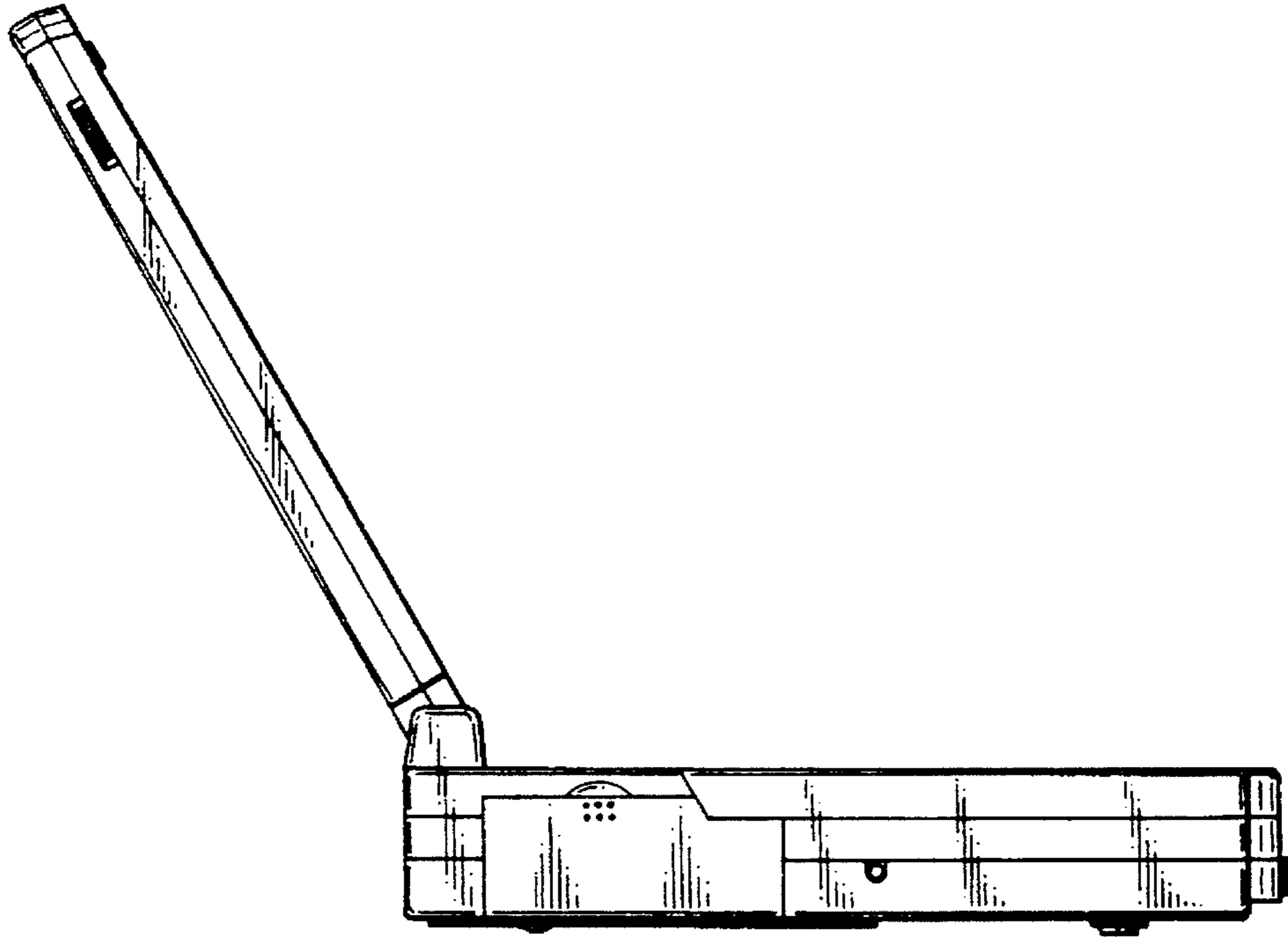
*Fig. 4*



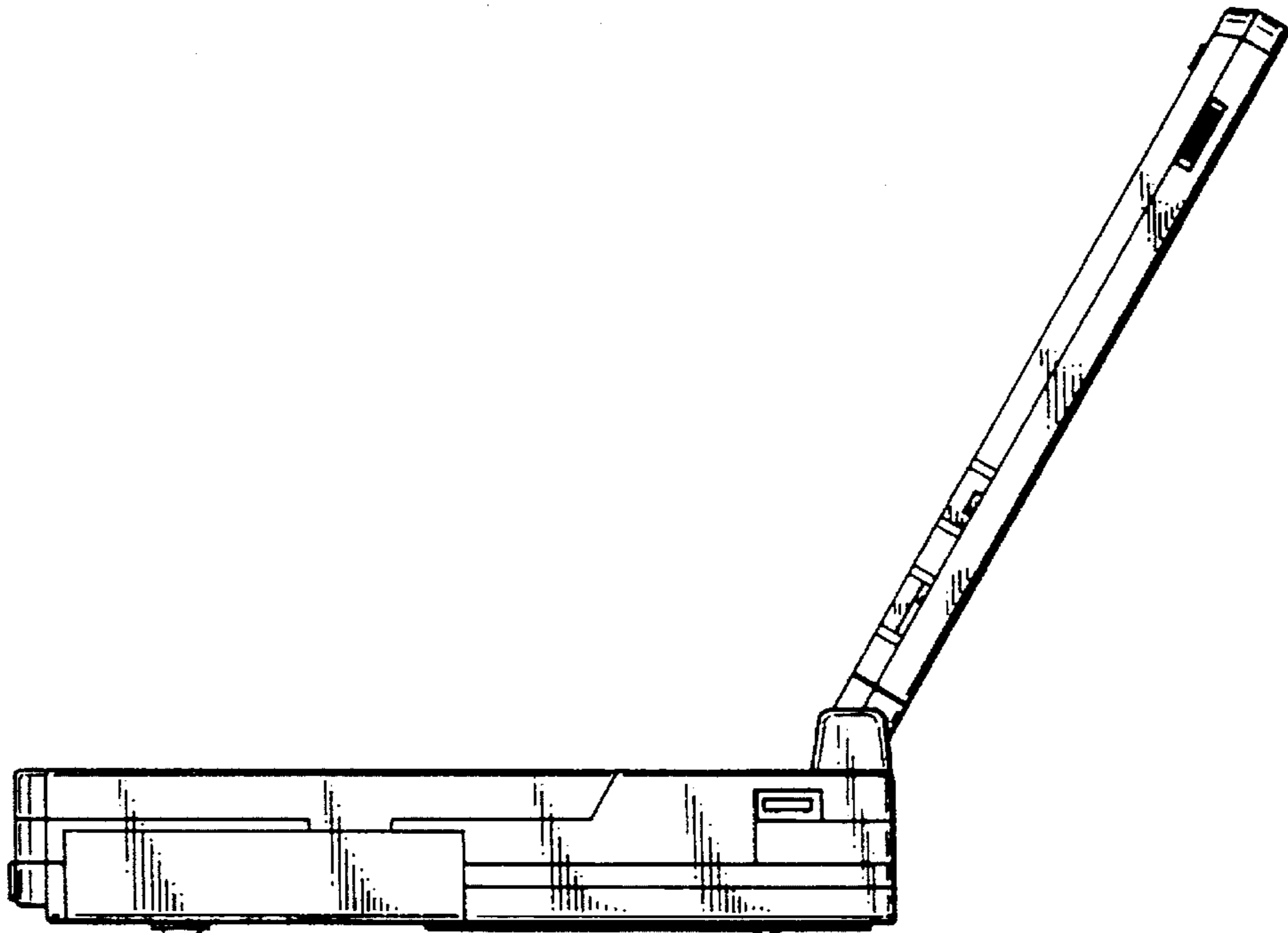
*Fig. 5*



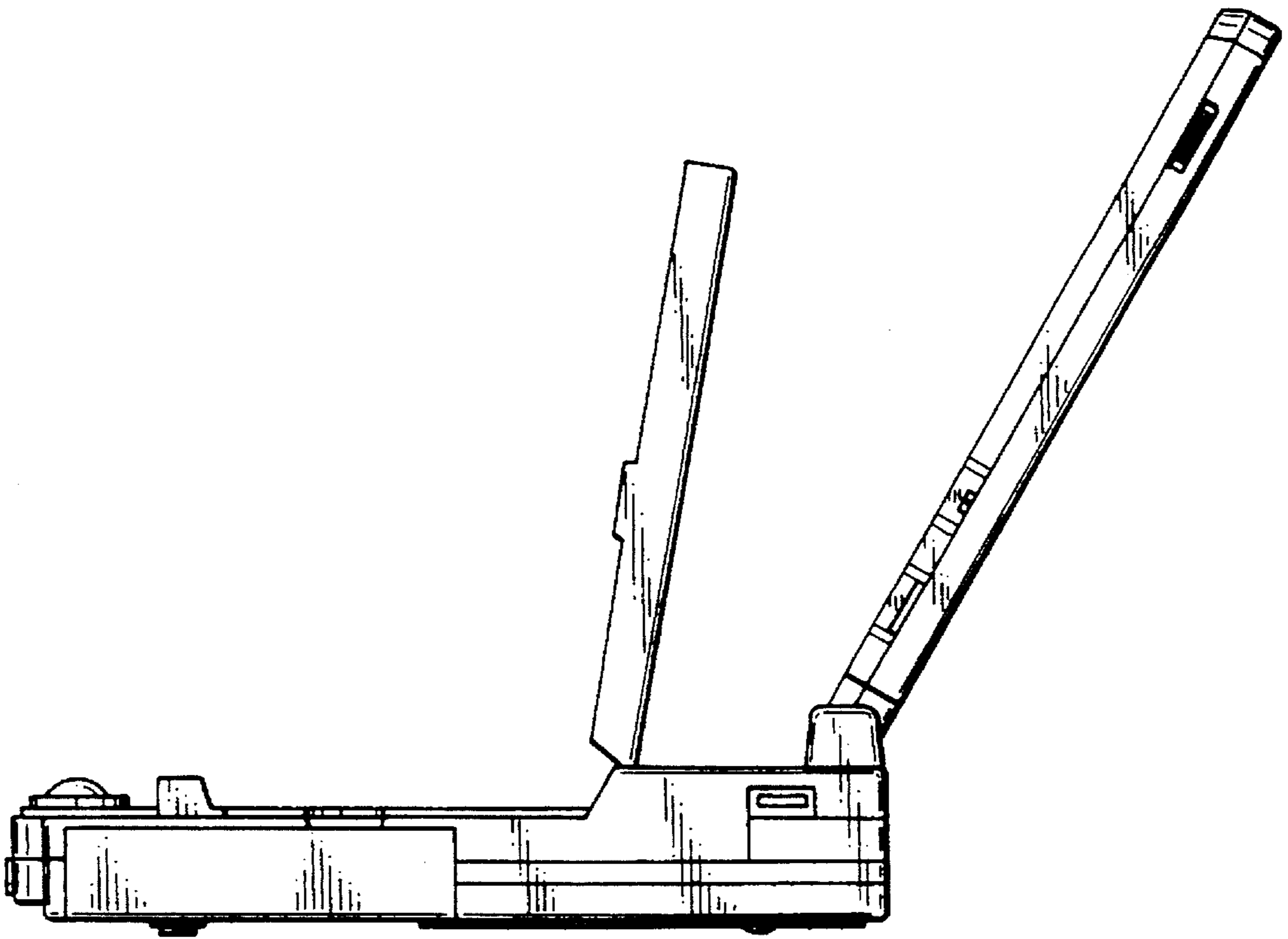
*Fig. 6*



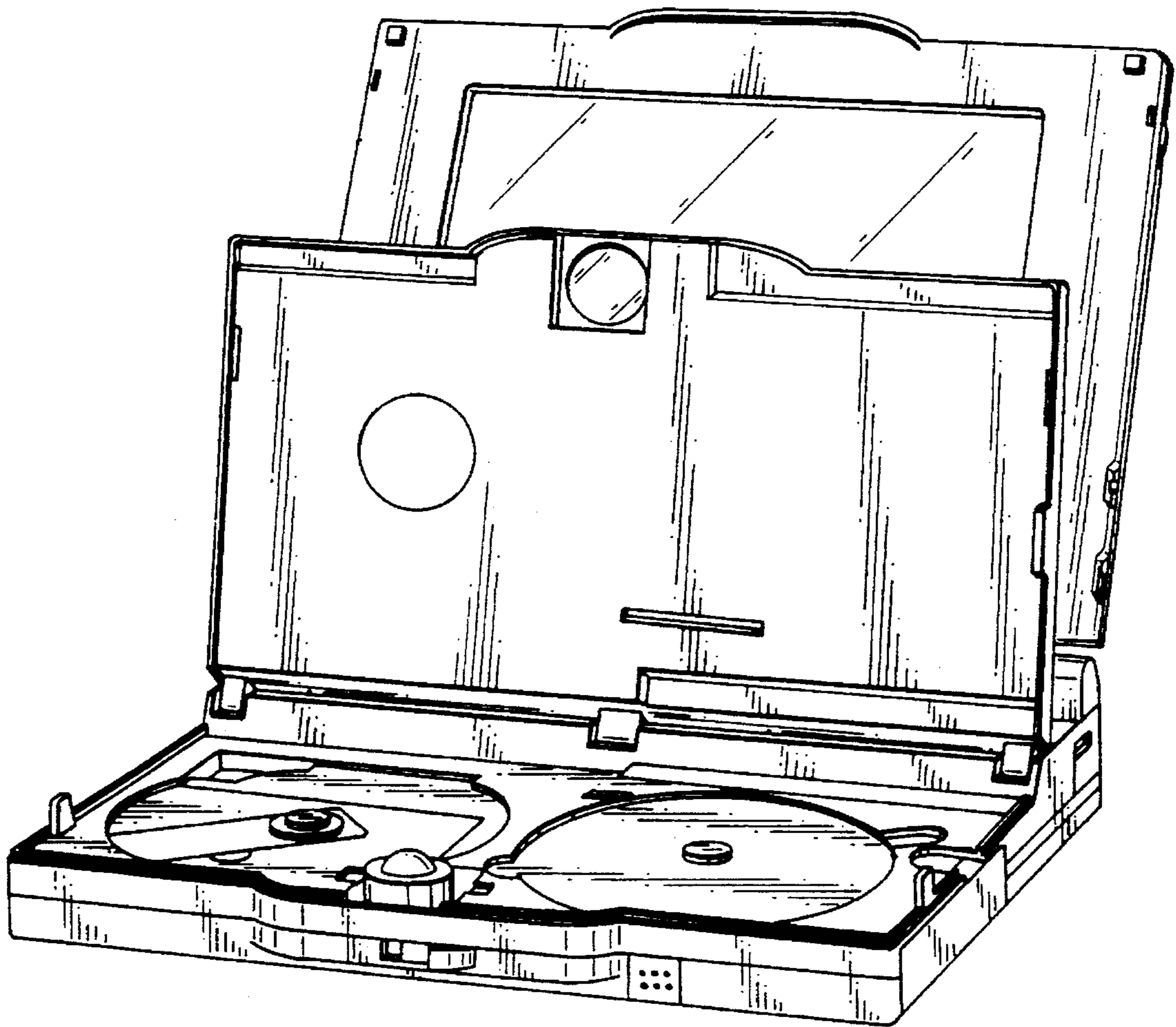
*Fig. 7*



*Fig. 8*



*Fig. 9*





*Fig. 10*

