



US00D365801S

United States Patent [19]
Lindahl

[11] **Patent Number: Des. 365,801**
[45] **Date of Patent: **Jan. 2, 1996**

[54] **BATTERY**

[75] Inventor: **Richard Lindahl**, Malmö, Sweden

[73] Assignee: **Telefonaktiebolaget L M Ericsson**,
Stockholm, Sweden

[**] Term: **14 Years**

[21] Appl. No.: **20,126**

[22] Filed: **Mar. 18, 1994**

[30] **Foreign Application Priority Data**

Sep. 24, 1993 [SE] Sweden 932118

[52] **U.S. Cl.** **D13/103**

[58] **Field of Search** D13/103; D14/137,
D14/138, 240; 429/96, 97, 98, 99, 100,
163; 320/2

[56] **References Cited**

U.S. PATENT DOCUMENTS

D. 277,747 2/1985 Toth D13/103

D. 303,524 9/1989 Siegner et al. D13/103 X
D. 329,040 9/1992 Seki et al. D13/103
D. 339,322 9/1993 Seki et al. D13/103
D. 349,681 8/1994 Siddoway et al. D13/103

Primary Examiner—Joel Sincavage
Attorney, Agent, or Firm—Burns, Doane, Swecker & Mathis

[57] **CLAIM**

The ornamental design for battery, as shown and described.

DESCRIPTION

FIG. 1 is a bottom view of a battery according to my invention;

FIG. 2 is a top view thereof;

FIG. 3 is a left rear perspective view thereof;

FIG. 4 is a right front perspective view thereof;

FIG. 5 is a side view thereof, each side being substantially identical;

FIG. 6 is a front view thereof; and,

FIG. 7 is a rear view thereof.

1 Claim, 4 Drawing Sheets

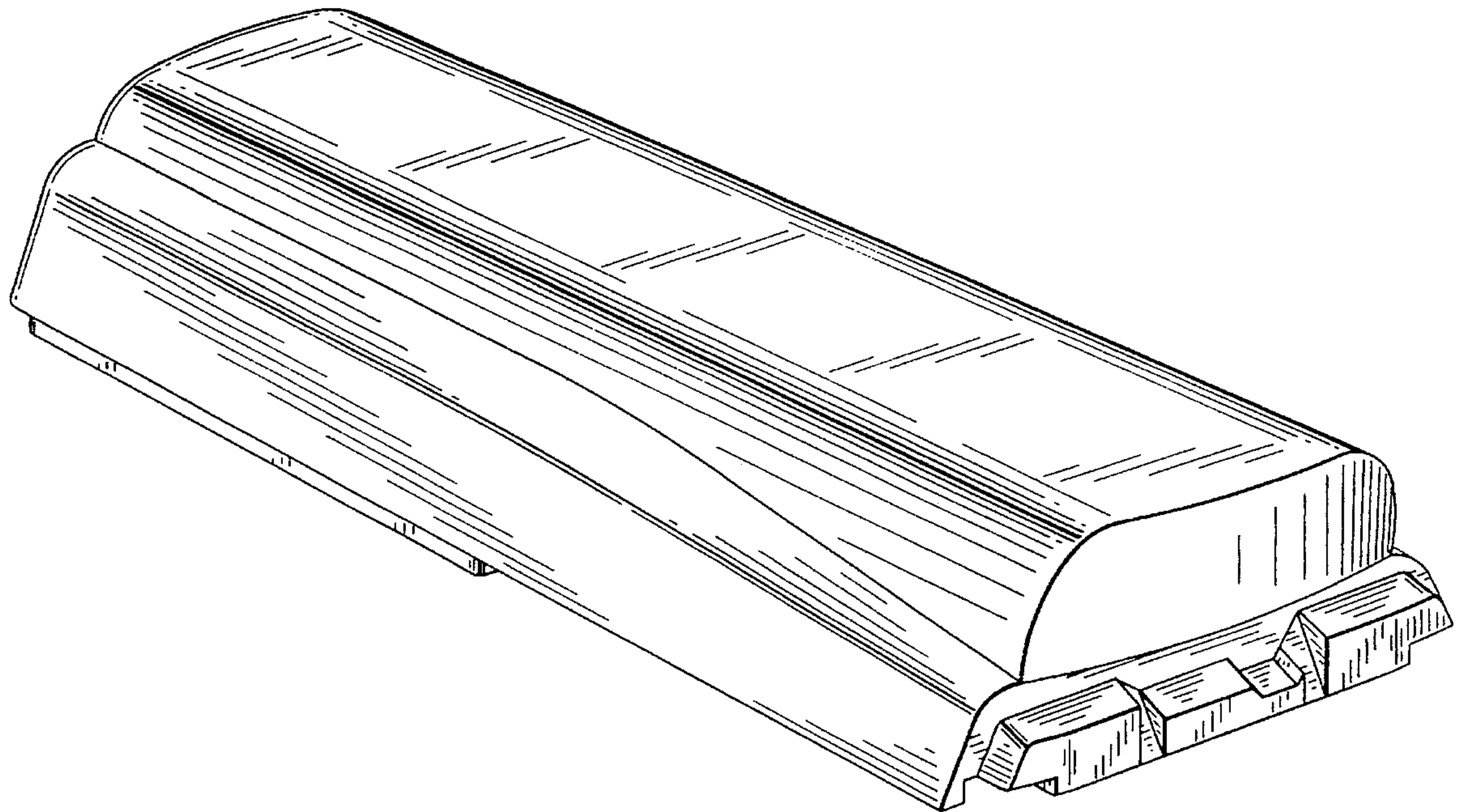


FIG. 1

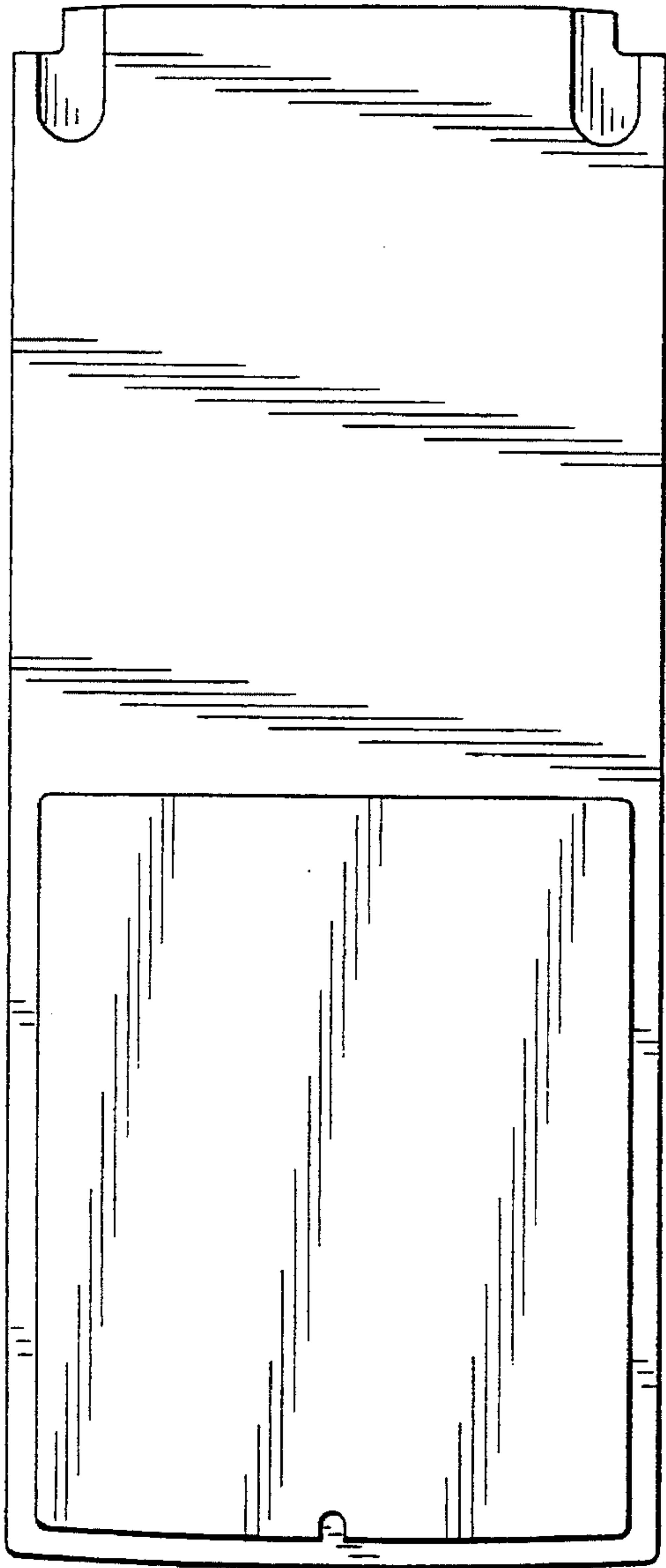


FIG. 2

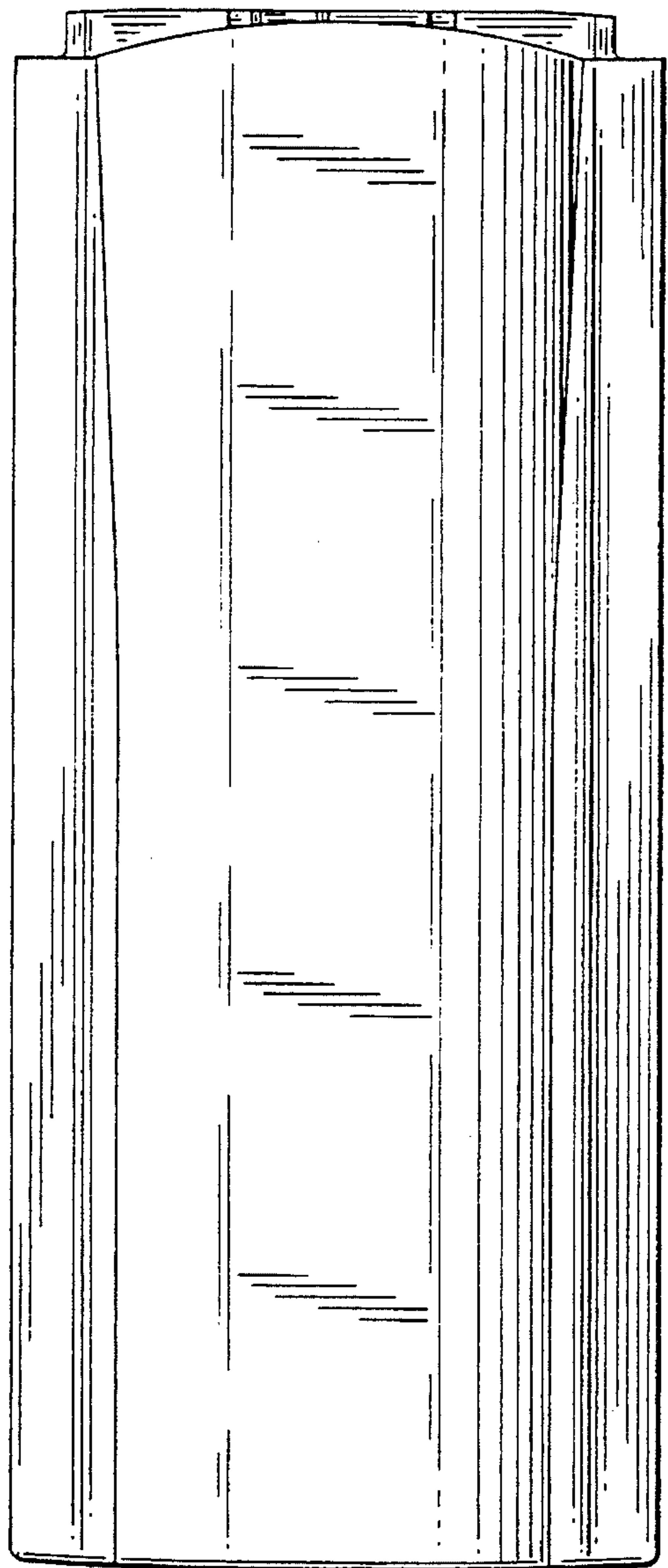


FIG. 3

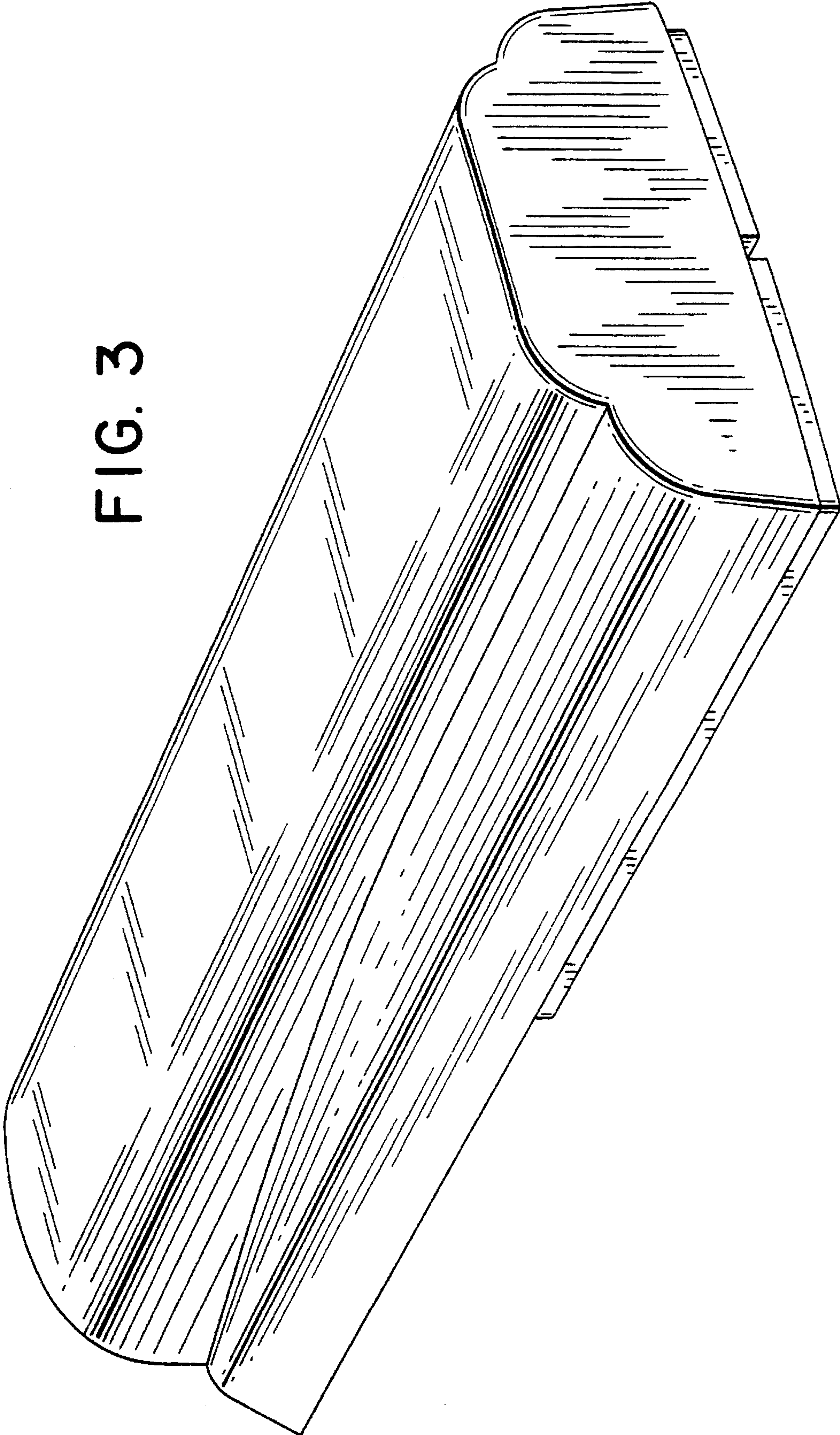


FIG. 4

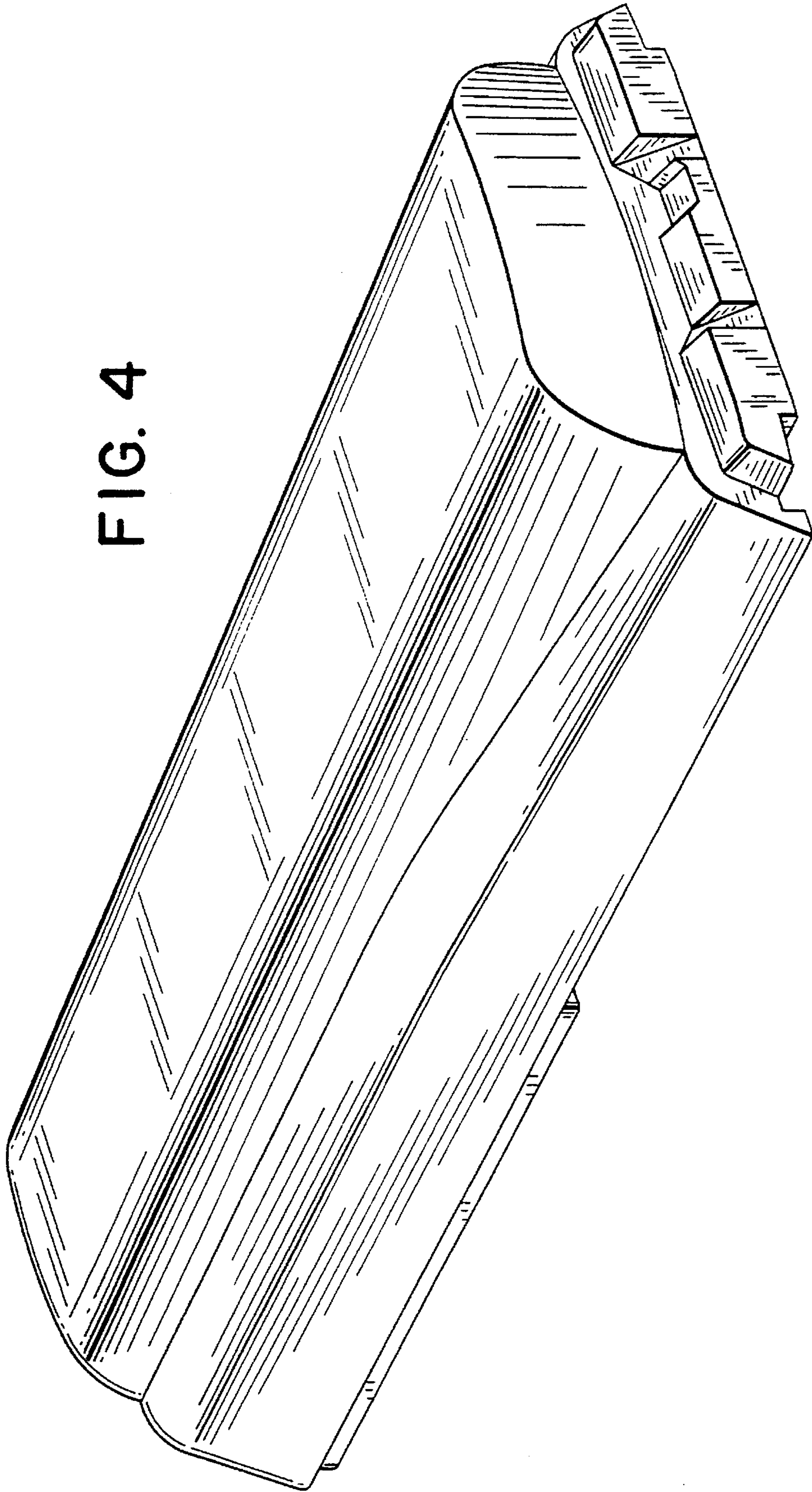


FIG. 5

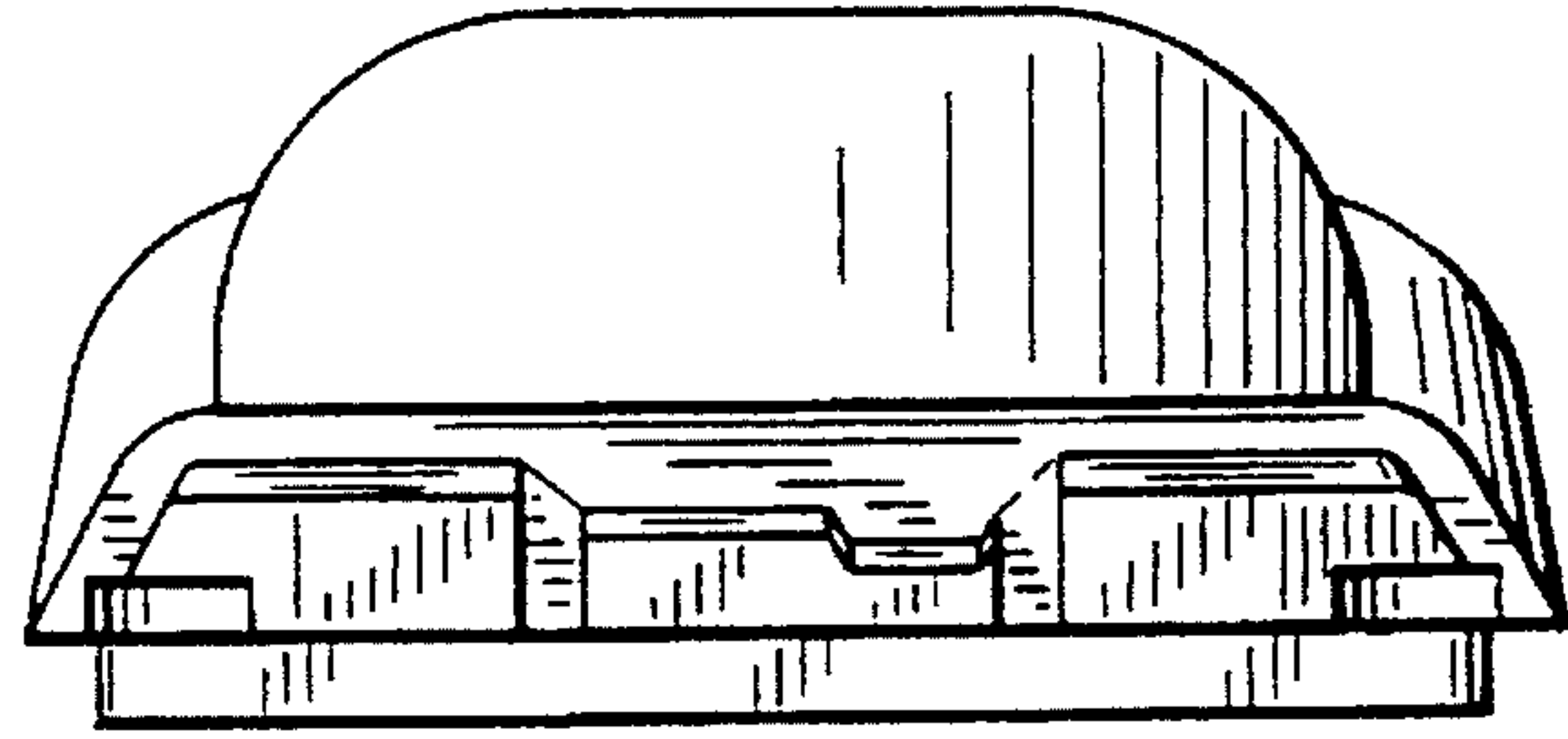
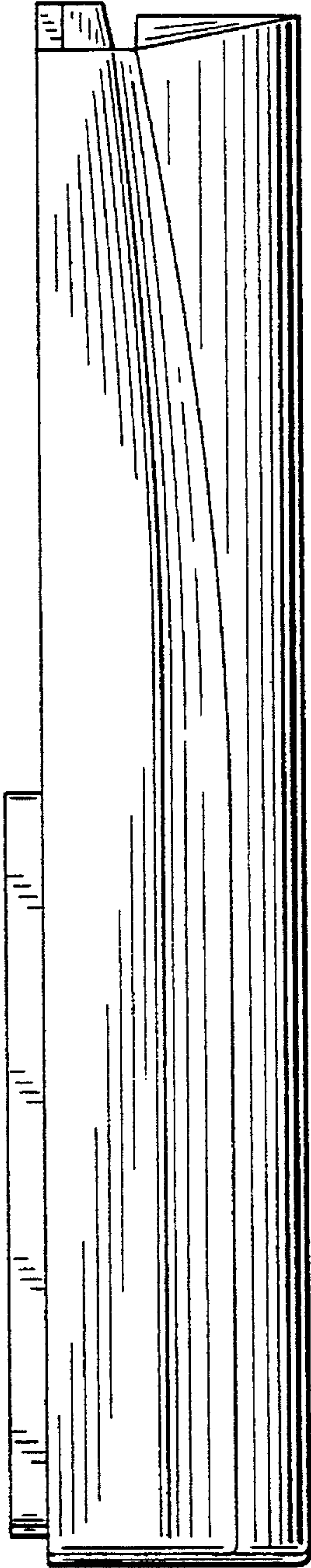


FIG. 6

FIG. 7

