



US00D365800S

# United States Patent [19]

Haley

[11] Patent Number: **Des. 365,800**

[45] Date of Patent: **\*\*Jan. 2, 1996**

[54] **AIR DEFLECTOR FOR TRACTOR TRUCK RIGS**

4,353,587 10/1982 Brenholt ..... 296/180.3

[76] Inventor: **Charles Haley**, P.O. Box 106, Sunrise Beach, Mo. 65079

*Primary Examiner*—A. Hugo Word

*Assistant Examiner*—M. Brown

*Attorney, Agent, or Firm*—Litman, McMahon and Brown

[\*\*] Term: **14 Years**

[57] **CLAIM**

[21] Appl. No.: **23,687**

The ornamental design for an air deflector for tractor truck rigs, as shown and described.

[22] Filed: **May 31, 1994**

**DESCRIPTION**

[52] U.S. Cl. .... **D12/181**

[58] Field of Search ..... D12/181, 96; 296/180.1, 296/180.2, 180.3, 180.4, 9, 91

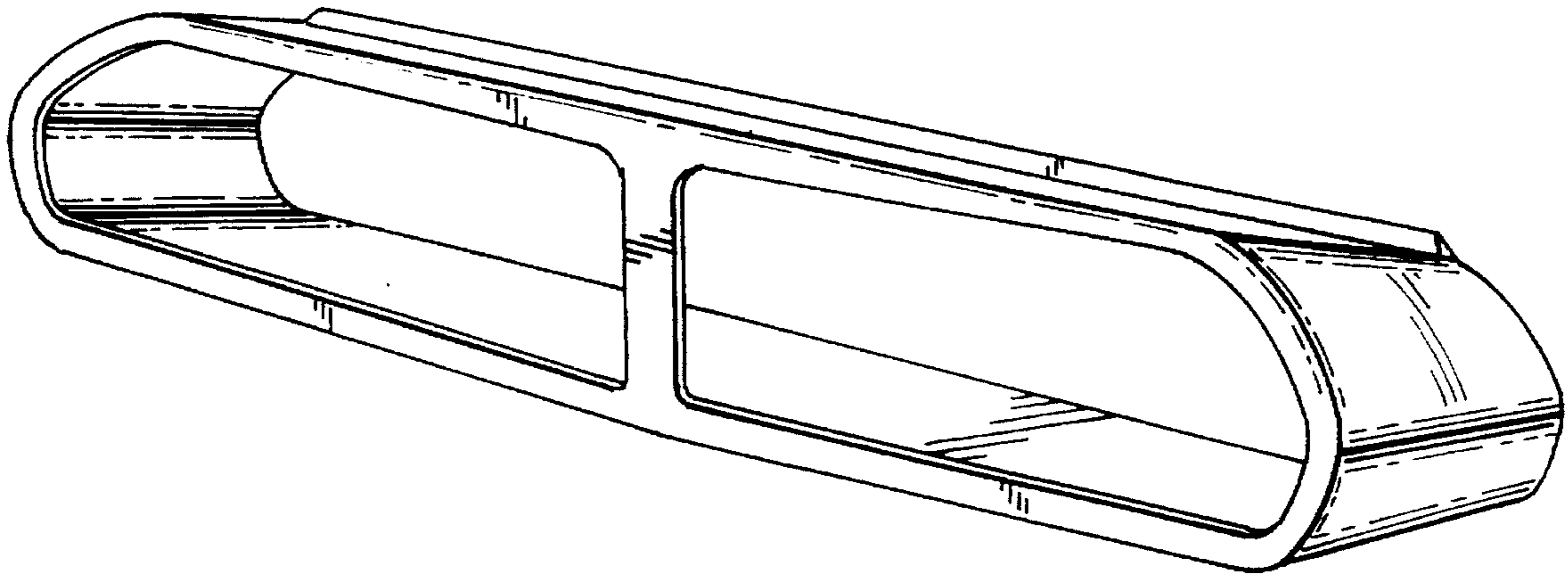
FIG. 1 is a top, front, left side perspective view of an air deflector for tractor truck rigs, showing my new design; FIG. 2 is a front elevational view thereof; FIG. 3 is a left side elevational view thereof, the right side being a mirror image thereof; FIG. 4 is a rear elevational view thereof; FIG. 5 is a top plan view thereof; and, FIG. 6 is a bottom plan view thereof.

[56] **References Cited**

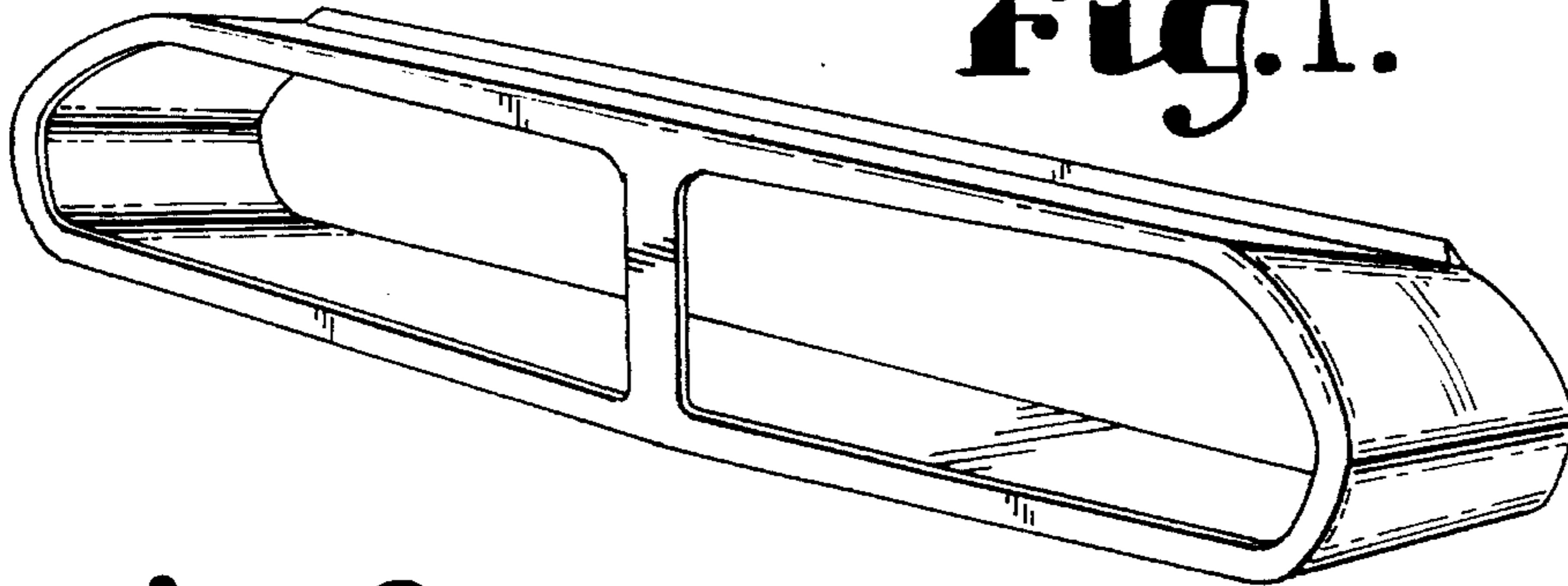
**U.S. PATENT DOCUMENTS**

D. 348,705	7/1994	Onopa .....	D12/181
D. 354,728	1/1995	Fitzgerald et al. ....	D12/181
D. 356,770	3/1995	Almen .....	D12/181
4,047,747	9/1977	Beers .....	296/180.3

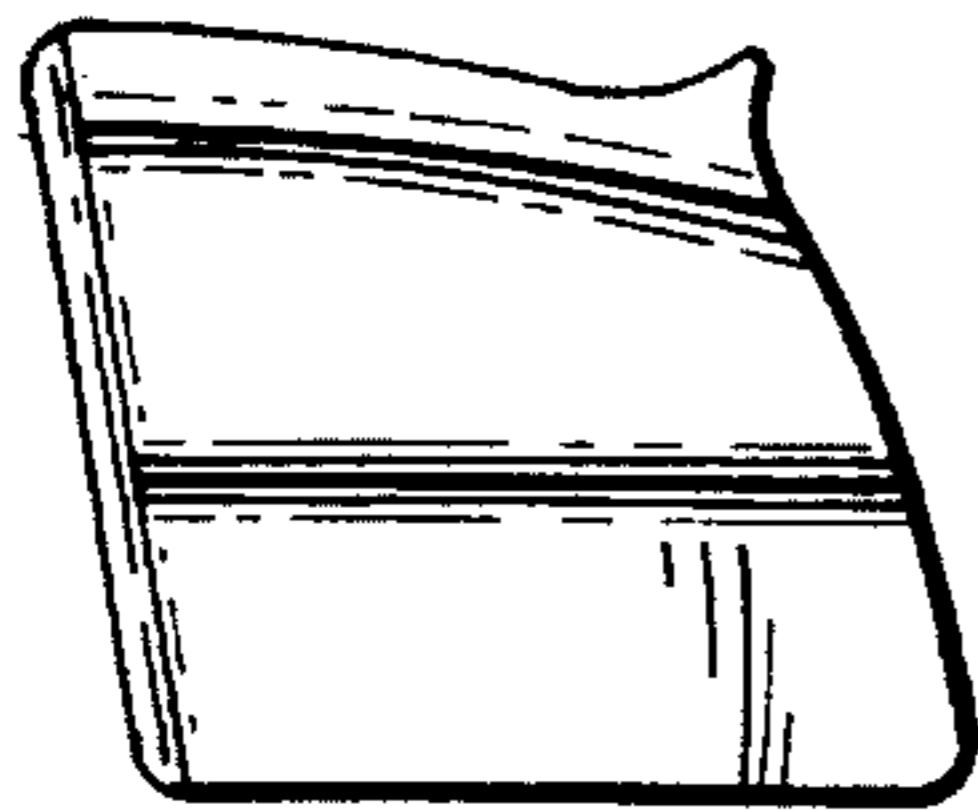
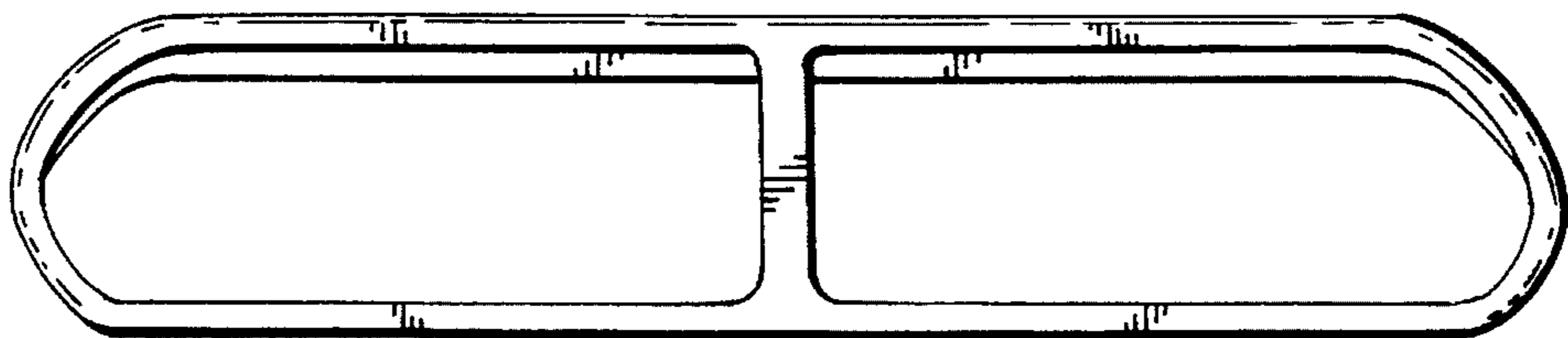
**1 Claim, 1 Drawing Sheet**



**Fig. 1.**

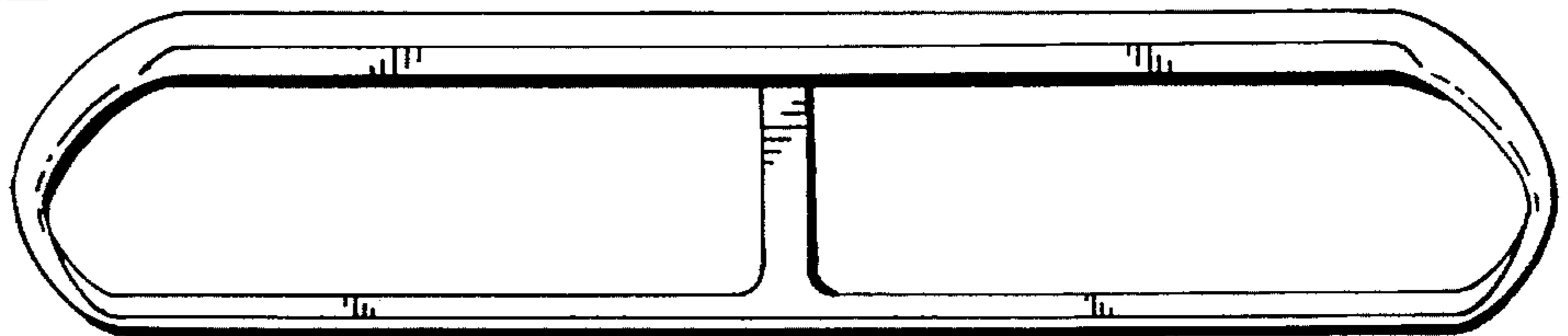


**Fig. 2.**

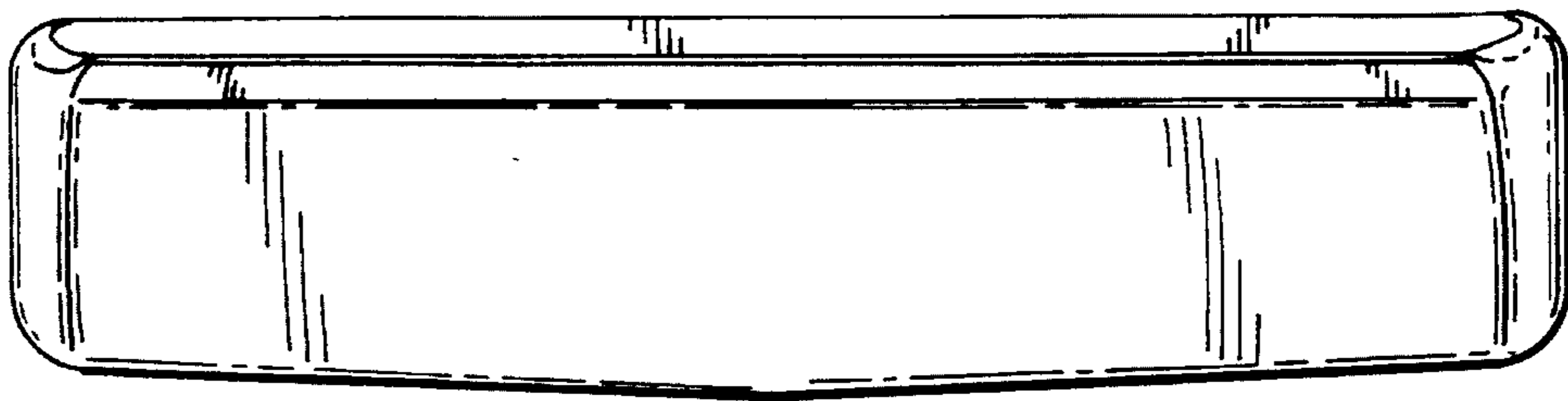


**Fig. 3.**

**Fig. 4.**



**Fig. 5.**



**Fig. 6.**

