



US00D365798S

United States Patent [19]

[11] Patent Number: **Des. 365,798**

Scarpitti et al.

[45] Date of Patent: ****Jan. 2, 1996**

[54] **TIRE TREAD**

D. 325,365	4/1992	Covert et al.	D12/147
D. 336,628	6/1993	Himuro et al.	D12/147
D. 341,804	11/1993	Lassan	D12/147

[75] Inventors: **Anthony J. Scarpitti**, Uniontown;
Michael A. Kolowski, Mogadore;
Frederick W. Miller, Akron; **Donald W. Gilliam**, Uniontown; **Keith C. Trares**; **Stephanie C. Brown**, both of Akron, all of Ohio

Primary Examiner—James M. Gandy
Attorney, Agent, or Firm—T. P. Lewandowski

[73] Assignee: **The Goodyear Tire & Rubber Company**, Akron, Ohio

[57] **CLAIM**

The ornamental design for a tire tread, as shown and described.

[**] Term: **14 Years**

DESCRIPTION

[21] Appl. No.: **32,325**

FIG. 1 is a front elevational view of a tire tread;
FIG. 2 is a perspective view thereof;
FIG. 3 is another perspective view thereof;
FIG. 4 is a side elevational view thereof;
FIG. 5 is another side elevational view thereof; and,
FIG. 6 is an enlarged fragmentary front view thereof.
The tread pattern is understood to be repeated uniformly throughout the circumference of the tire tread.
The broken line showing of the tire sidewall in the drawings is for illustrative purposes only and forms no part of the claimed design.

[22] Filed: **Dec. 15, 1994**

[52] U.S. Cl. **D12/147**

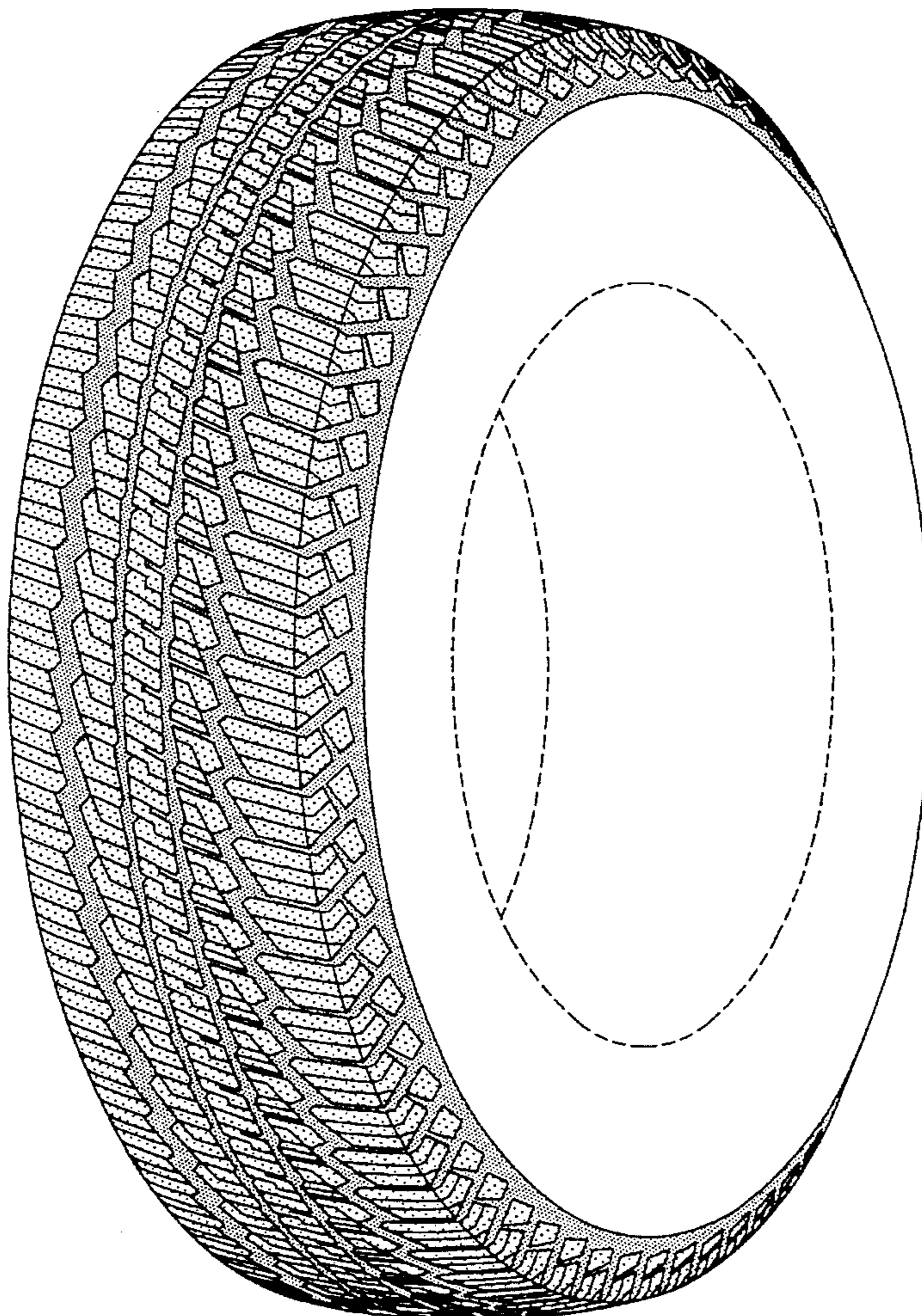
[58] Field of Search D12/141-143,
D12/146-148; 152/209 R, 209 A, 209 D

[56] **References Cited**

U.S. PATENT DOCUMENTS

D. 315,129 3/1991 Graas et al. D12/147

1 Claim, 6 Drawing Sheets



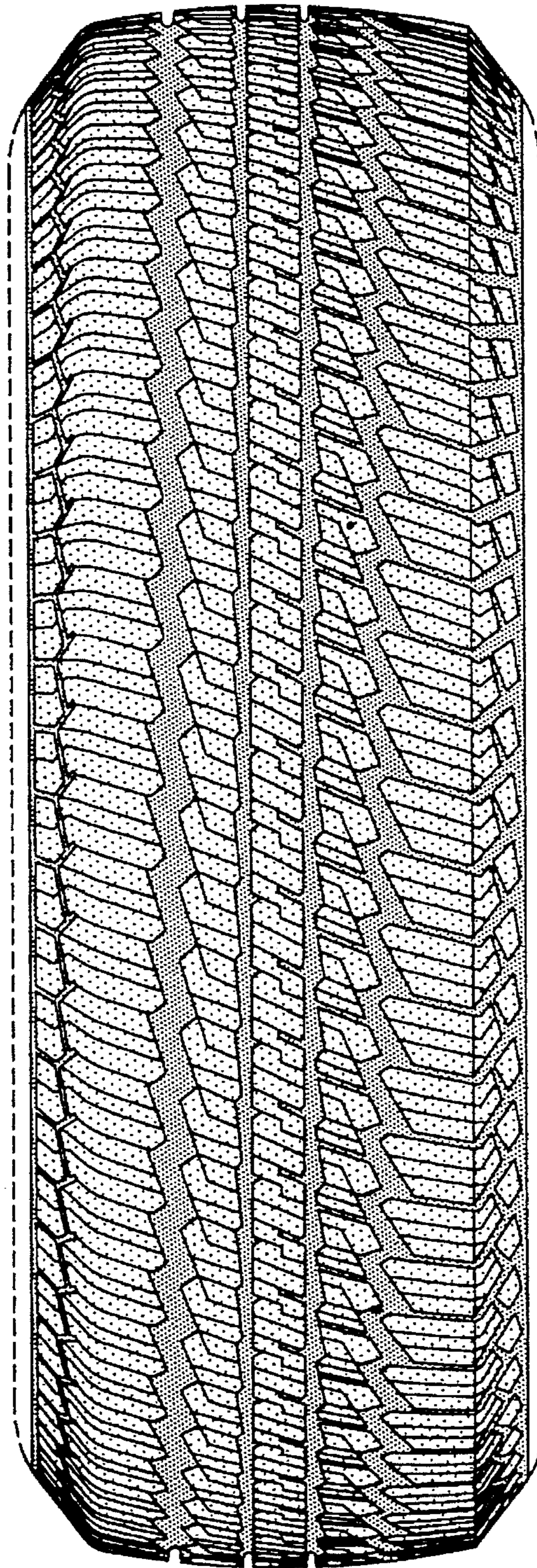


FIG-1

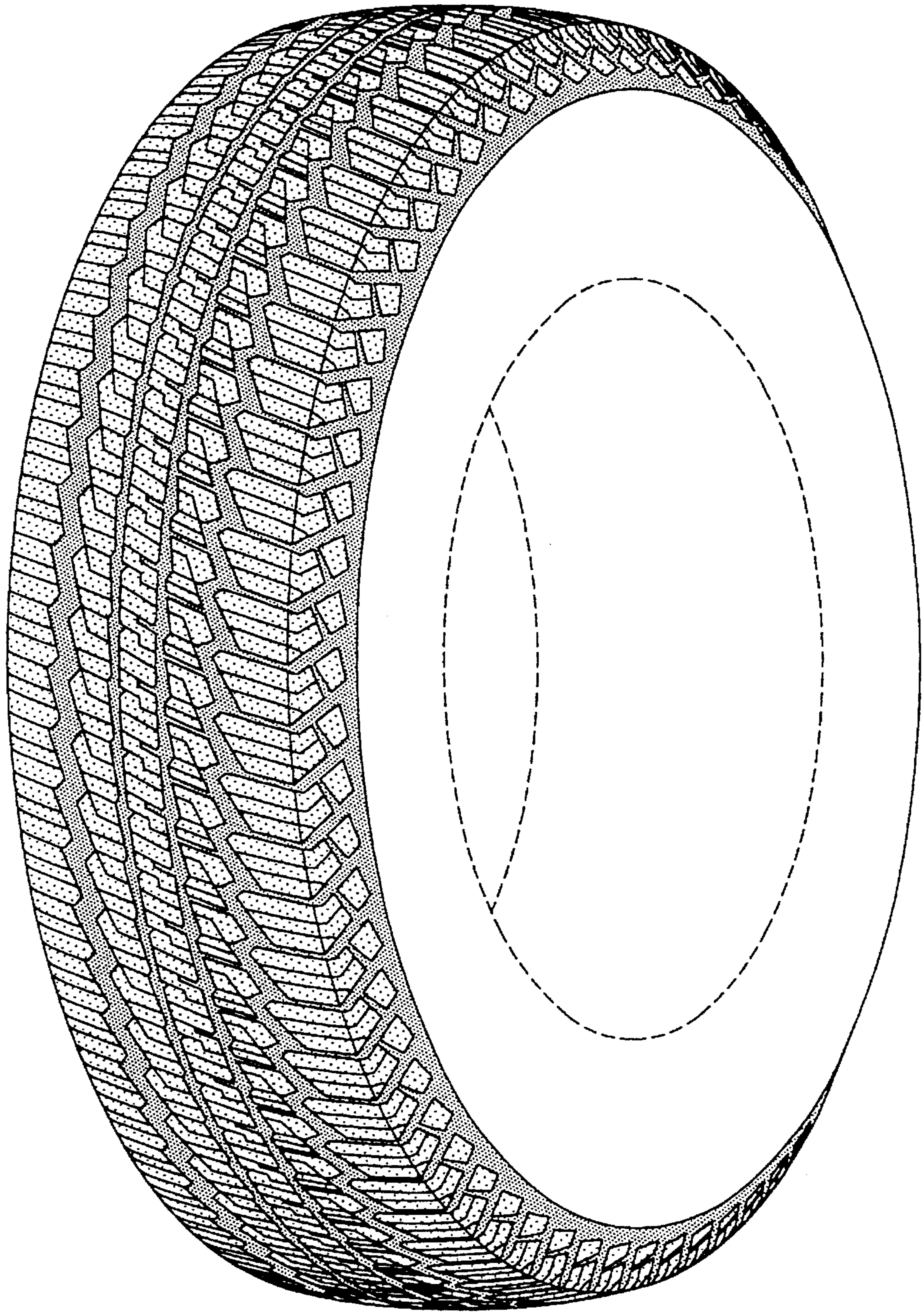


FIG-2

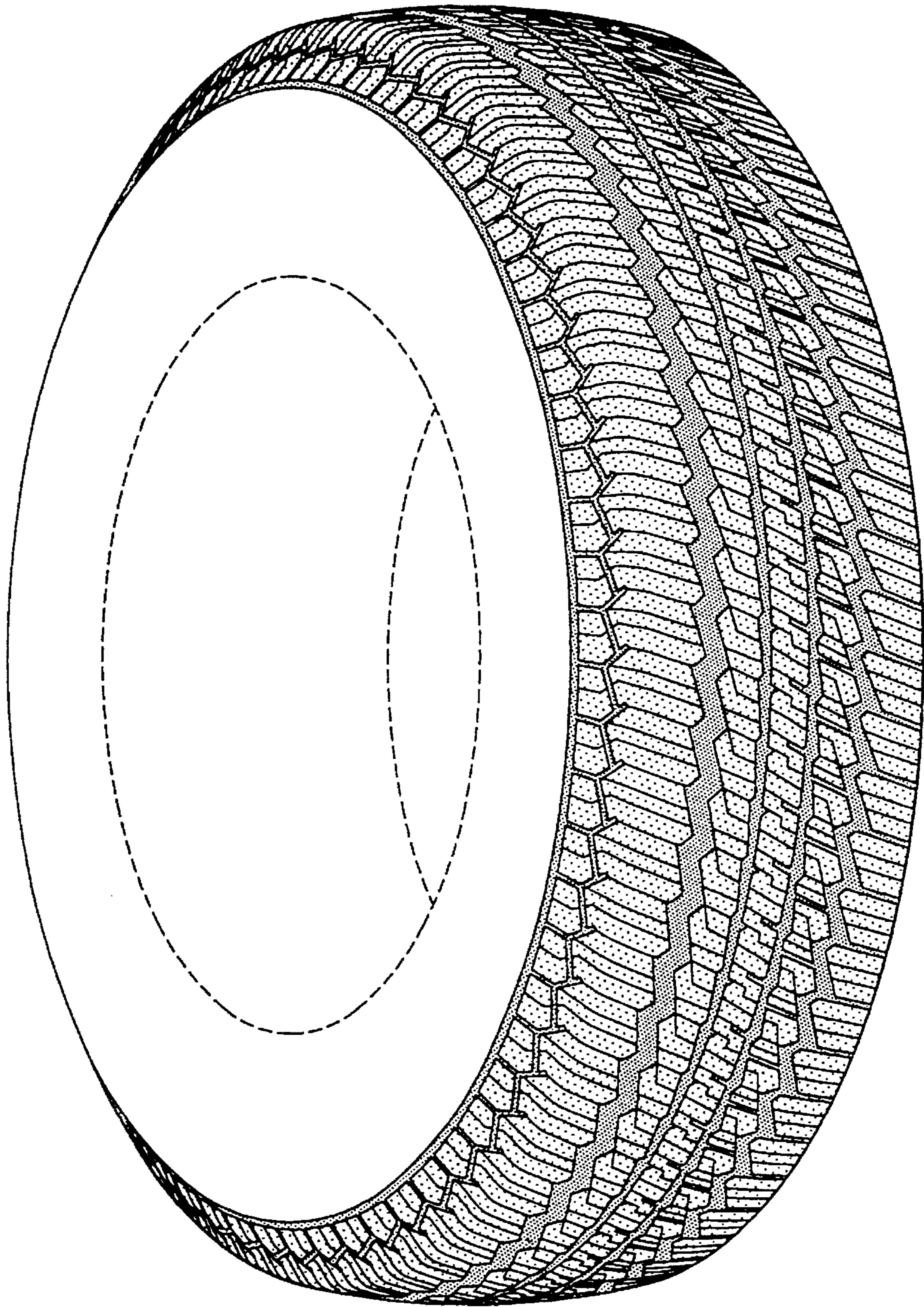


FIG-3

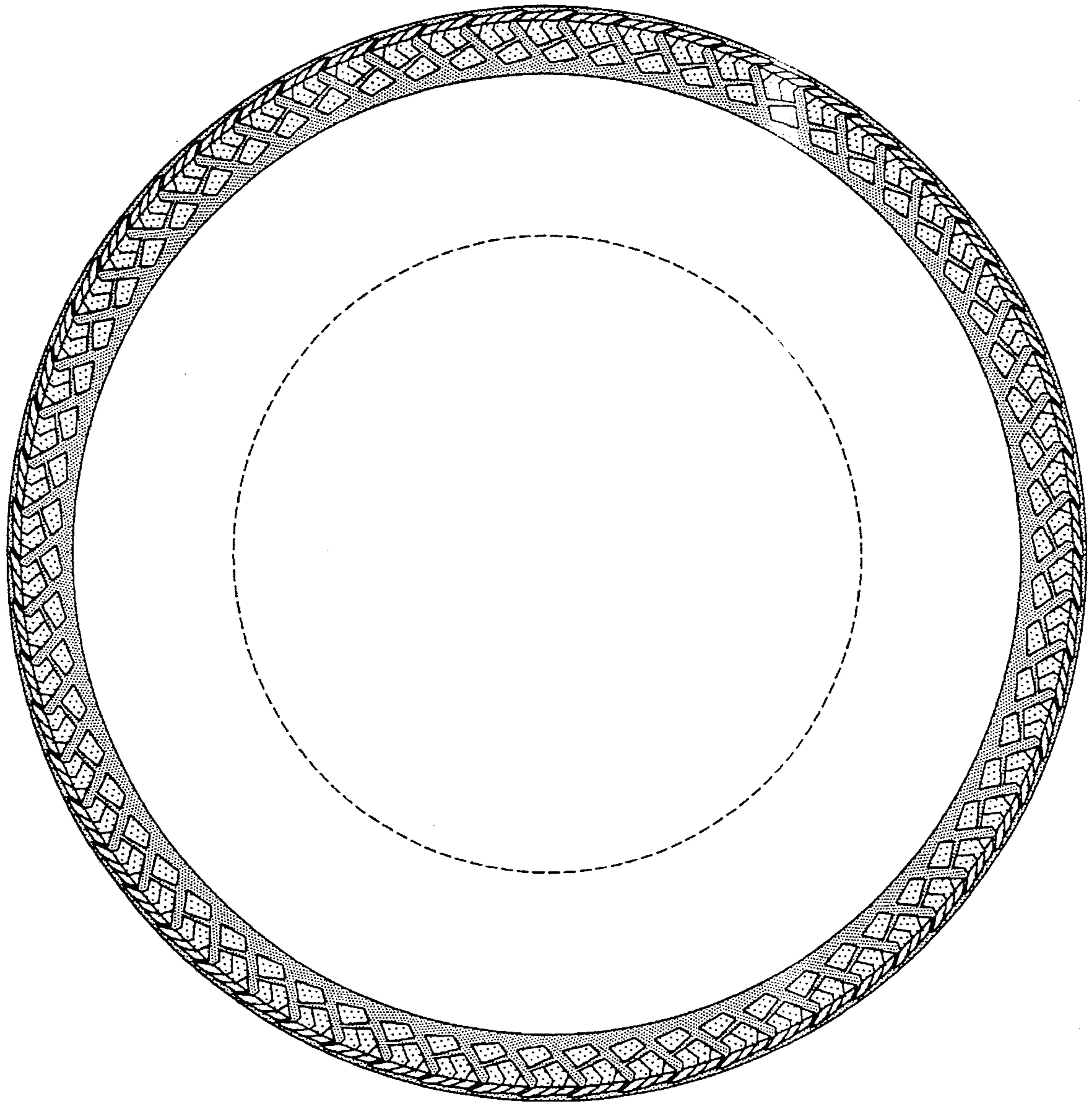


FIG-4

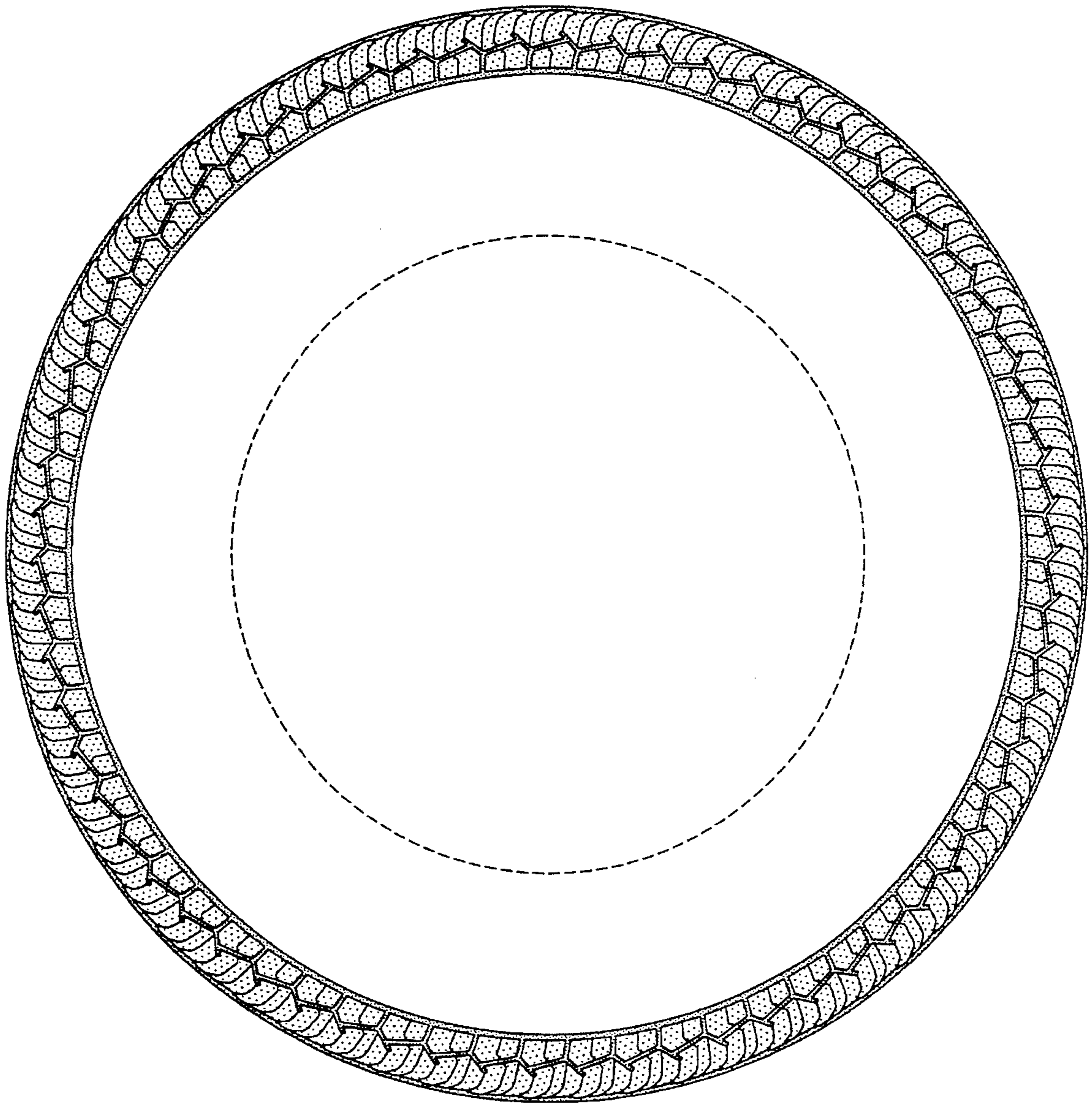


FIG-5

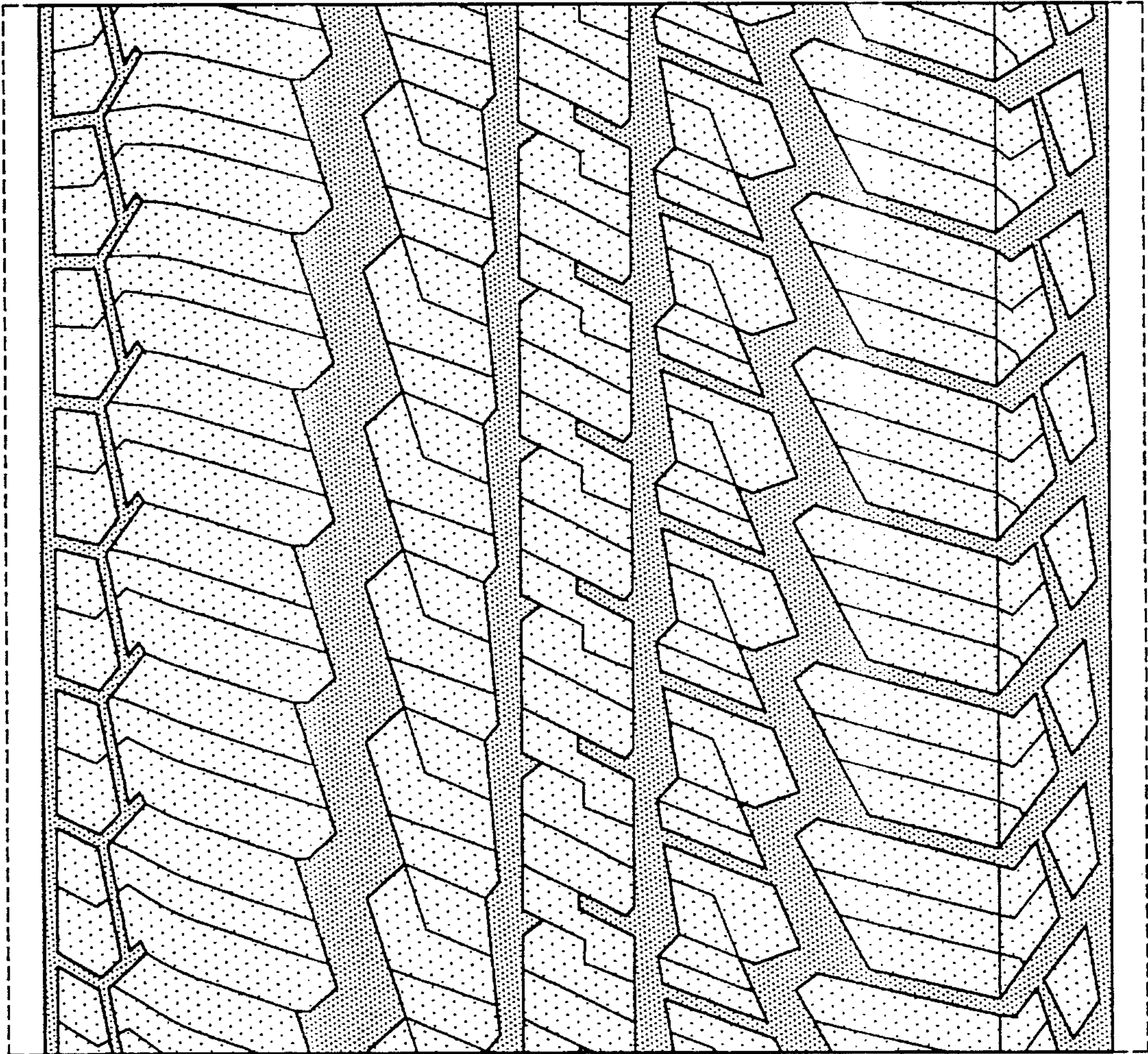


FIG-6