



US00D365797S

United States Patent [19]

[11] Patent Number: **Des. 365,797**

Hermann et al.

[45] Date of Patent: ***** Jan. 2, 1996**

[54] **TIRE TREAD**

[75] Inventors: **Robert J. Hermann, Stow; Daniel E. Schuster, North Royalton, both of Ohio**

[73] Assignee: **The Goodyear Tire & Rubber Company, Akron, Ohio**

[*] Notice: The portion of the term of this patent subsequent to Aug. 1, 2009, has been disclaimed.

[**] Term: **14 Years**

[21] Appl. No.: **17,442**

[22] Filed: **Jan. 13, 1994**

[52] U.S. Cl. **D12/147**

[58] Field of Search D12/136, 140, D12/141-143, 146-148; 152/209 R, 209 A, 209 B, 209 D

[56] **References Cited**

U.S. PATENT DOCUMENTS

D. 287,953	1/1987	Takeuchi	D12/146
D. 317,738	6/1991	Fukumoto	D12/143
D. 349,080	7/1994	Loser	D12/146

FOREIGN PATENT DOCUMENTS

0371788	6/1990	European Pat. Off.	152/209 D
0194909	8/1987	Japan	152/209 D
3253409	11/1991	Japan	152/209 R

OTHER PUBLICATIONS

1994 Tread Design Guide, p. 136 (G-362).

Primary Examiner—James M. Gandy
Attorney, Agent, or Firm—T. P. Lewandowski

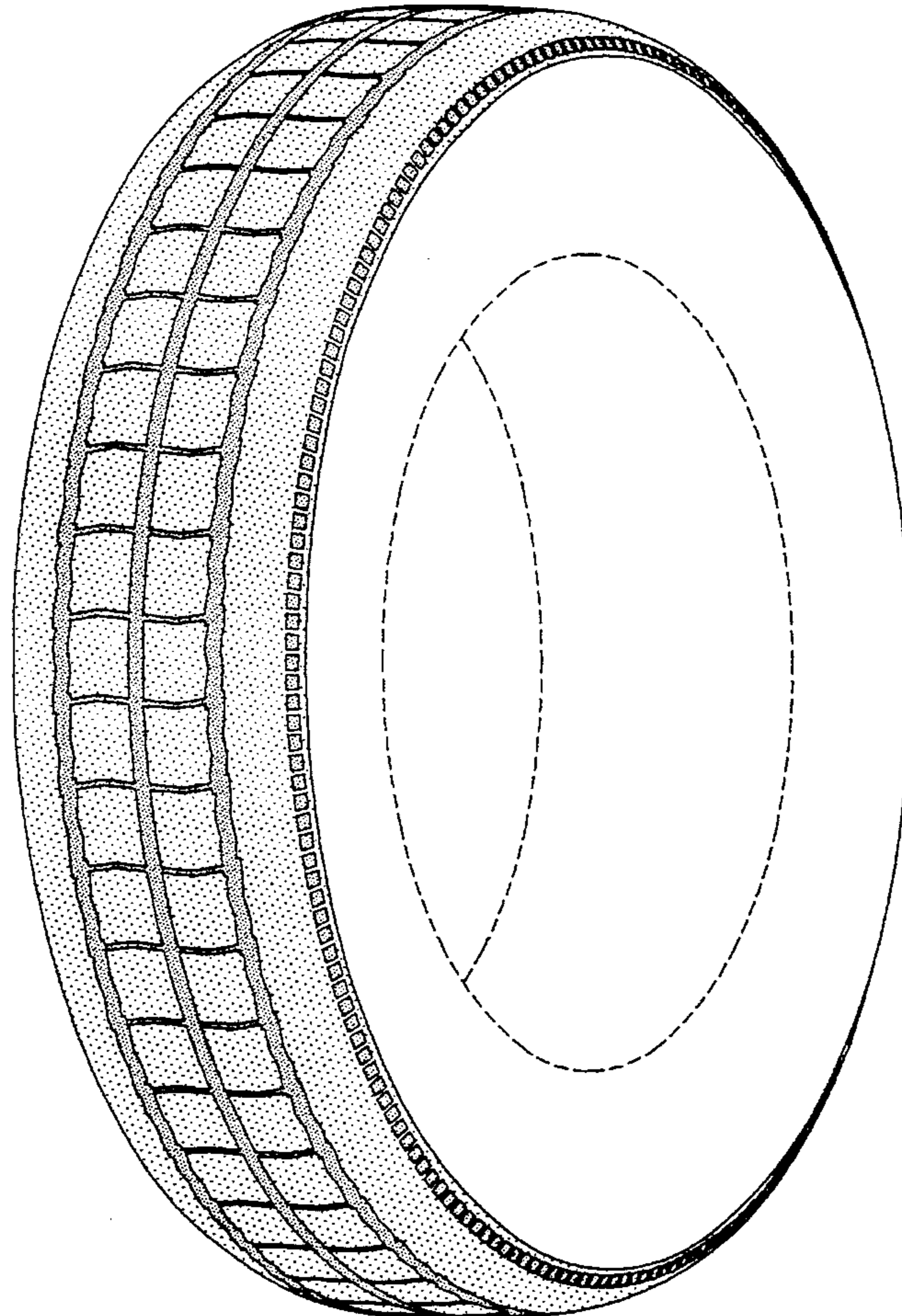
[57] **CLAIM**

The ornamental design for a tire tread, as shown and described.

DESCRIPTION

FIG. 1 is a perspective view of a tire tread;
FIG. 2 is a front elevational view thereof;
FIG. 3 is a side elevational view thereof;
FIG. 4 is an enlarged fragmentary front view thereof.
The tread pattern is understood to be repeated uniformly throughout the circumference of the tire tread.
The broken line showing of the tire sidewall in the drawings is for illustrative purposes only and forms no part of the claimed design.

1 Claim, 4 Drawing Sheets



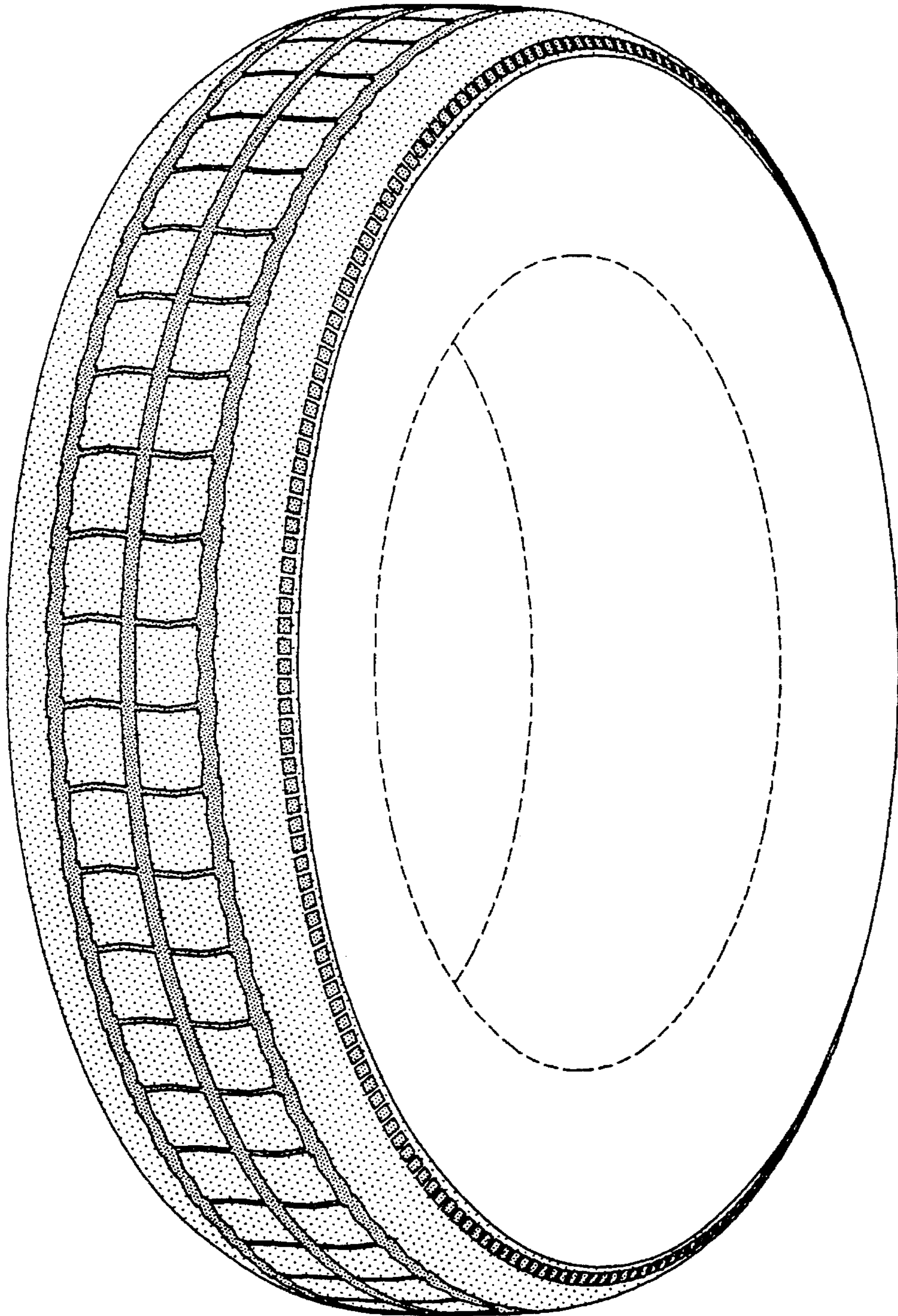


FIG-1

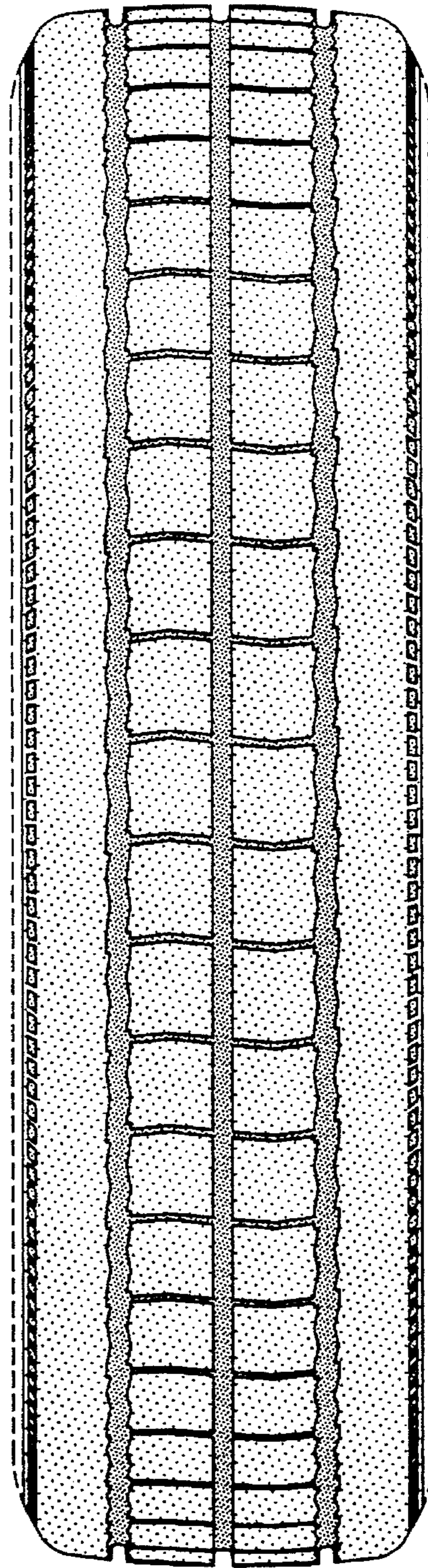


FIG-2

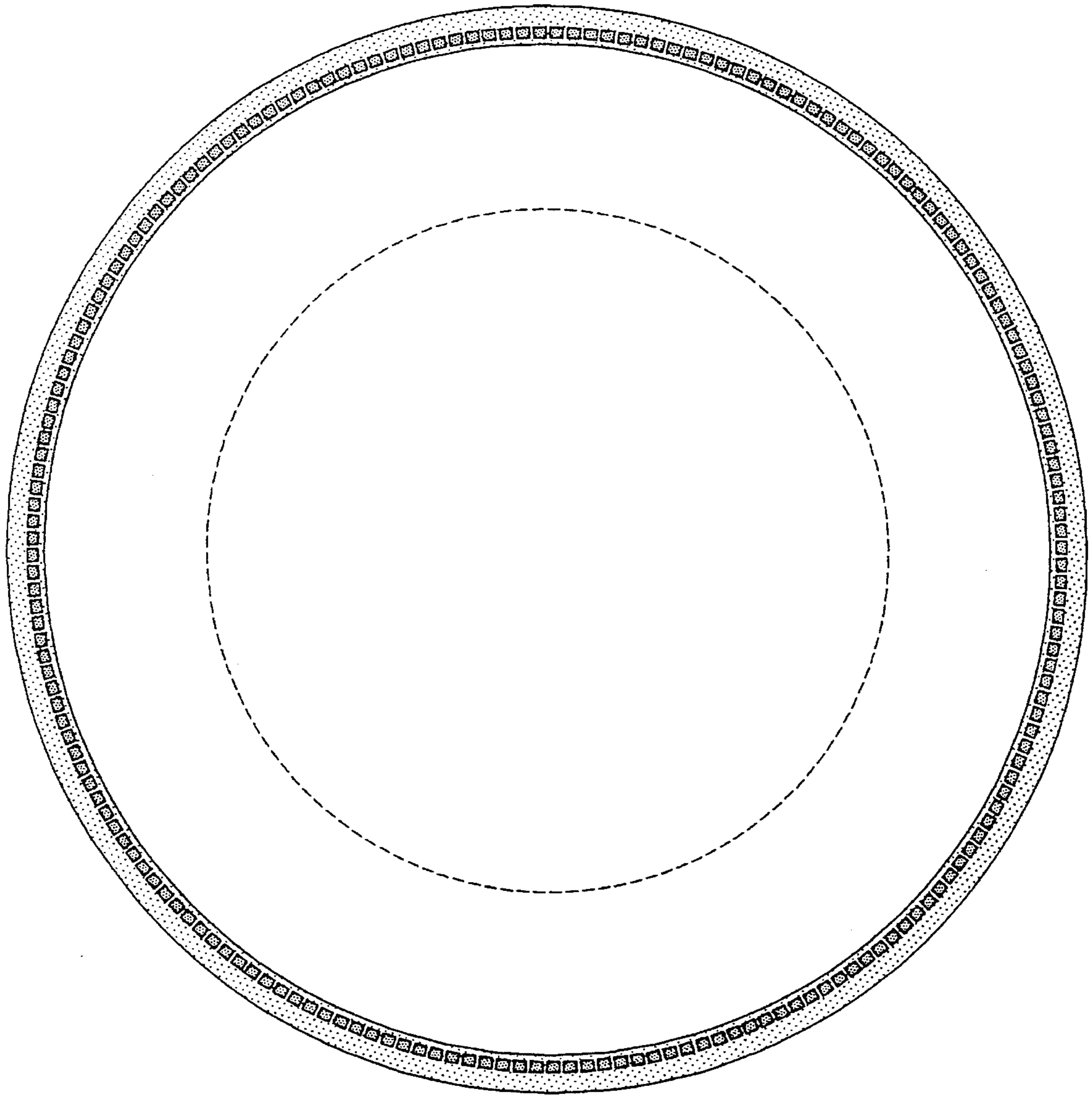


FIG-3

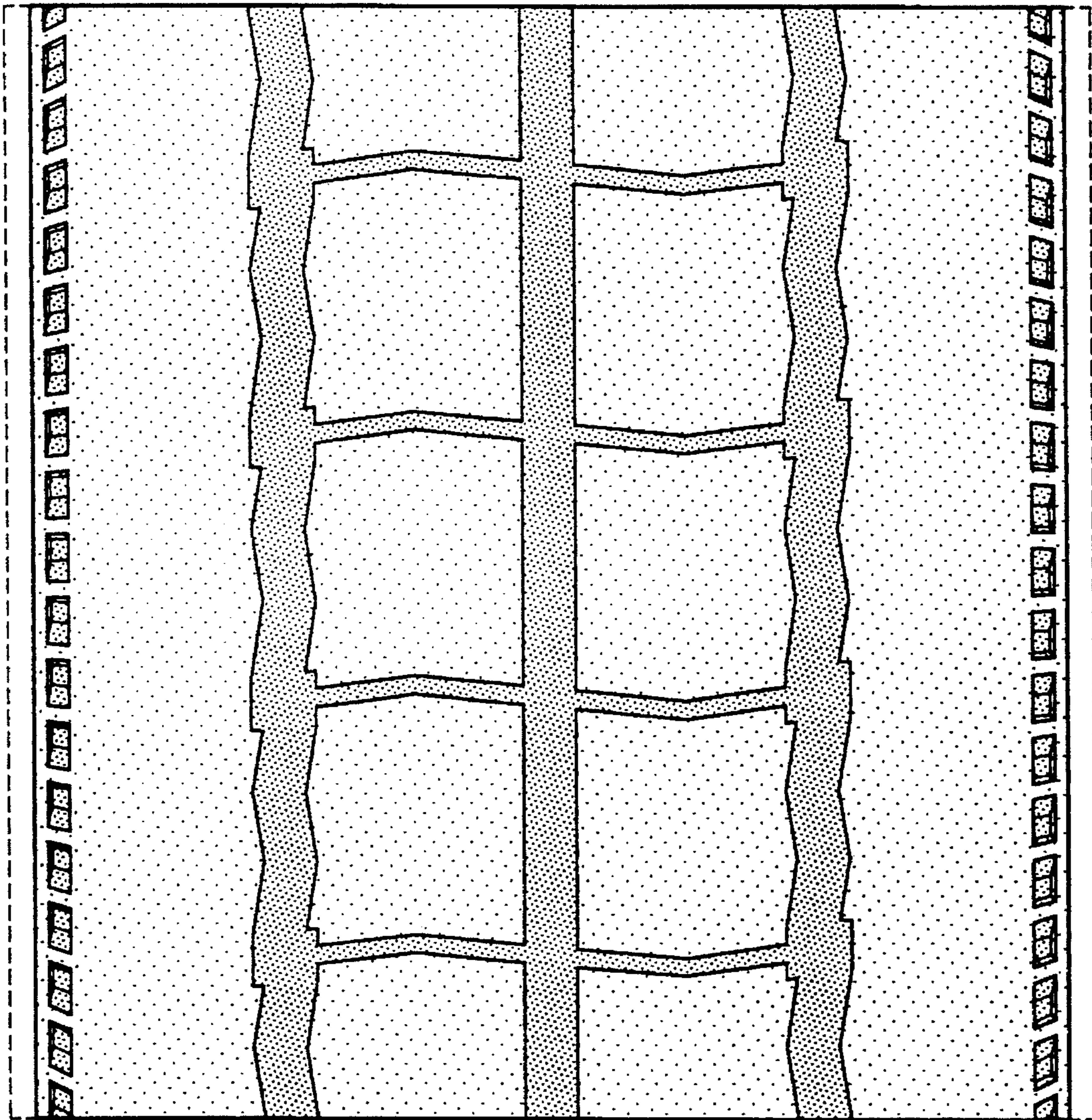


FIG-4