



US00D365796S

United States Patent [19]

[11] Patent Number: **Des. 365,796**

Scarpitti et al.

[45] Date of Patent: ****Jan. 2, 1996**

[54] **TIRE TREAD**

[75] Inventors: **Anthony J. Scarpitti**, Uniontown;
Michael A. Kolowski, Mogadore;
Frederick W. Miller, Akron; **Donald W. Gilliam**, Uniontown; **Keith C. Trares**; **Stephanie C. Brown**, both of Akron, all of Ohio

[73] Assignee: **The Goodyear Tire & Rubber Company**, Akron, Ohio

[**] Term: **14 Years**

[21] Appl. No.: **31,608**

[22] Filed: **Dec. 1, 1994**

[52] U.S. Cl. **D12/147**

[58] Field of Search **D12/141-143, D12/146-148; 152/209 R, 209 A, 209 D**

[56] **References Cited**

U.S. PATENT DOCUMENTS

- D. 315,129 3/1991 Graas et al. D12/147
- D. 341,804 11/1993 Lassan D12/147

OTHER PUBLICATIONS

1994 Tread Design Guide, p. 91, Hallmark Land Rover GTL Tire, Second Row Down from Top & Second Tire in from Right Side of Page.

Primary Examiner—James M. Gandy
Attorney, Agent, or Firm—T. P. Lewandowski

[57] **CLAIM**

The ornamental design for a tire tread, as shown and described.

DESCRIPTION

FIG. 1 is a front elevational view of a tire tread;

FIG. 2 is a perspective view thereof;

FIG. 3 is another perspective view thereof;

FIG. 4 is a side elevational view thereof;

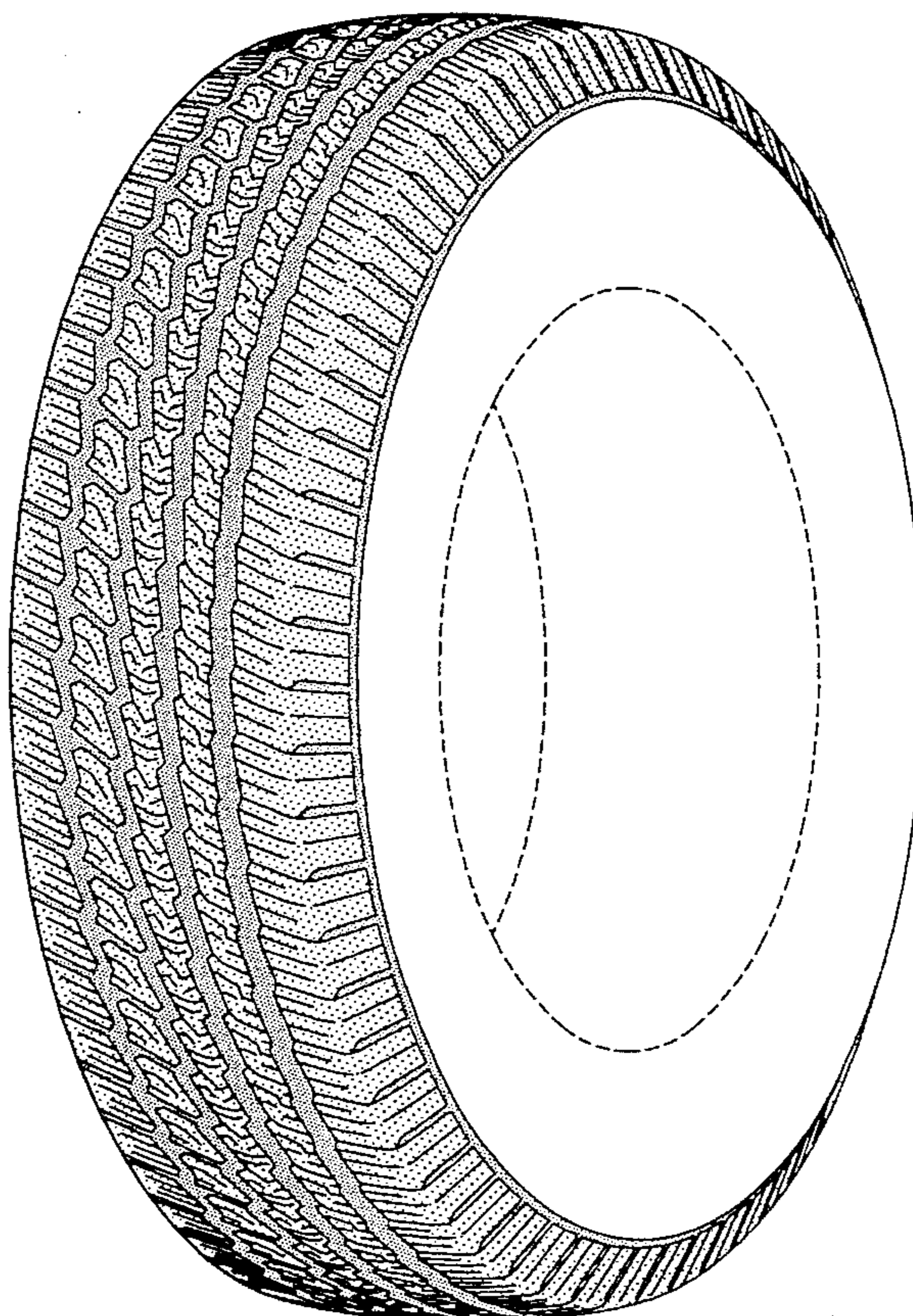
FIG. 5 is another side elevational view thereof;

FIG. 6 is an enlarged fragmentary front view thereof.

The tread pattern is understood to be repeated uniformly throughout the circumference of the tire tread.

In the drawings, the broken line showing of the tire sidewall and the solid line defining the peripheral boundary between the tire tread and the sidewall are for illustrative purposes only and form no part of the claimed design.

1 Claim, 6 Drawing Sheets



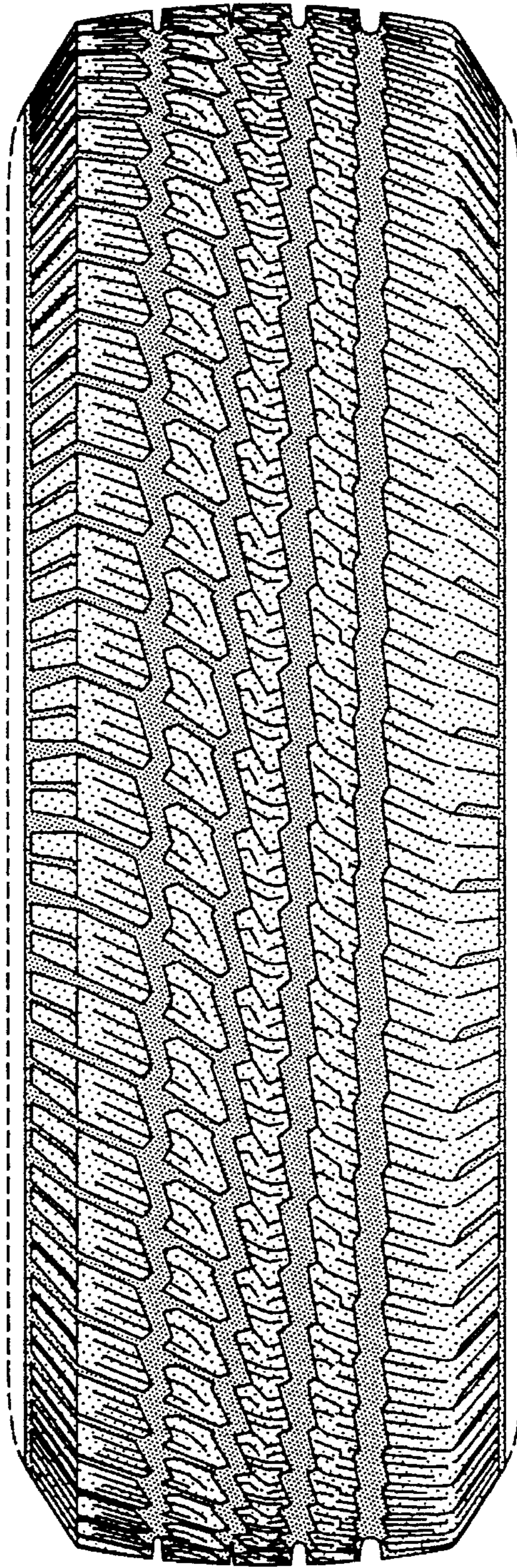


FIG-1

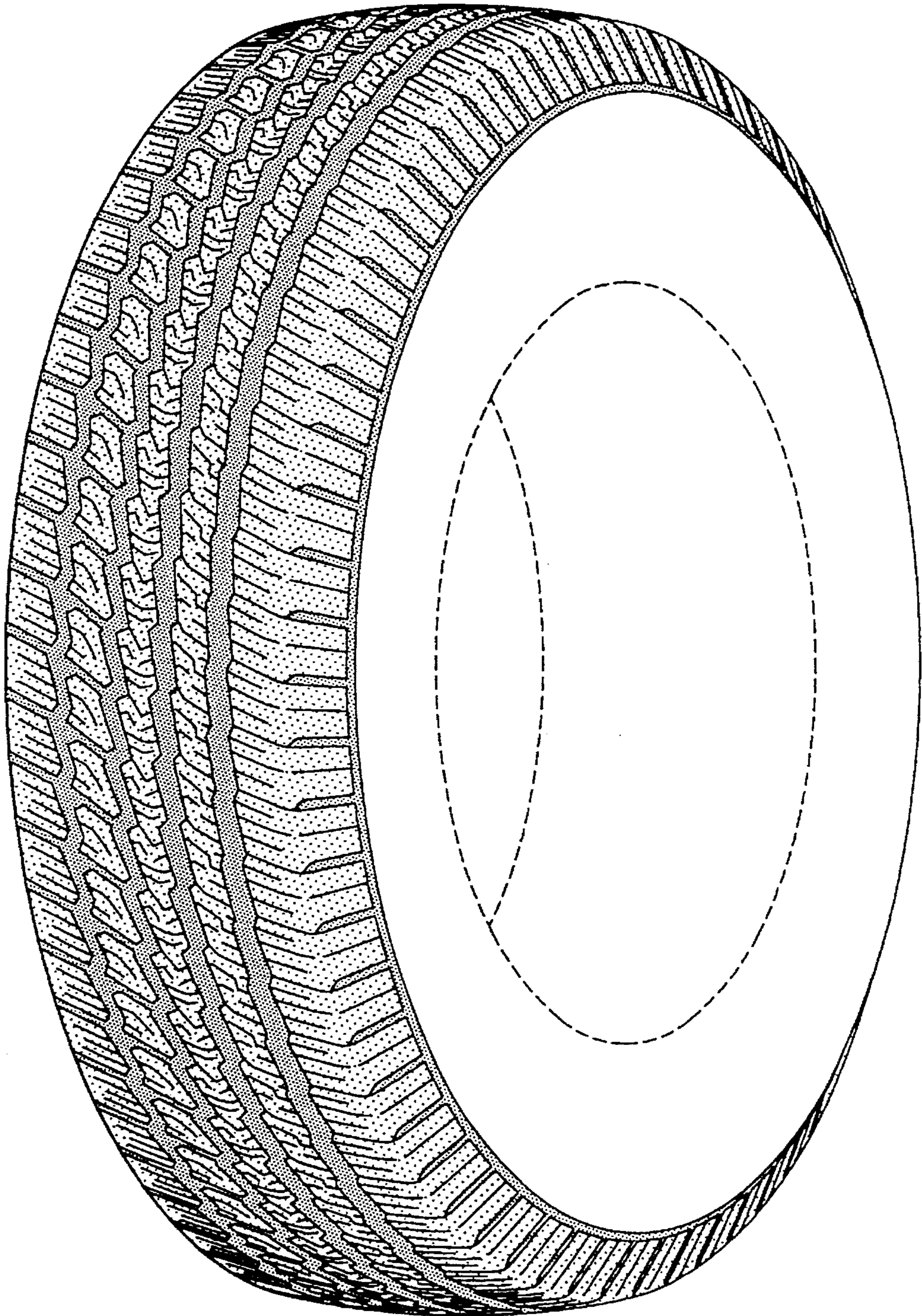


FIG-2

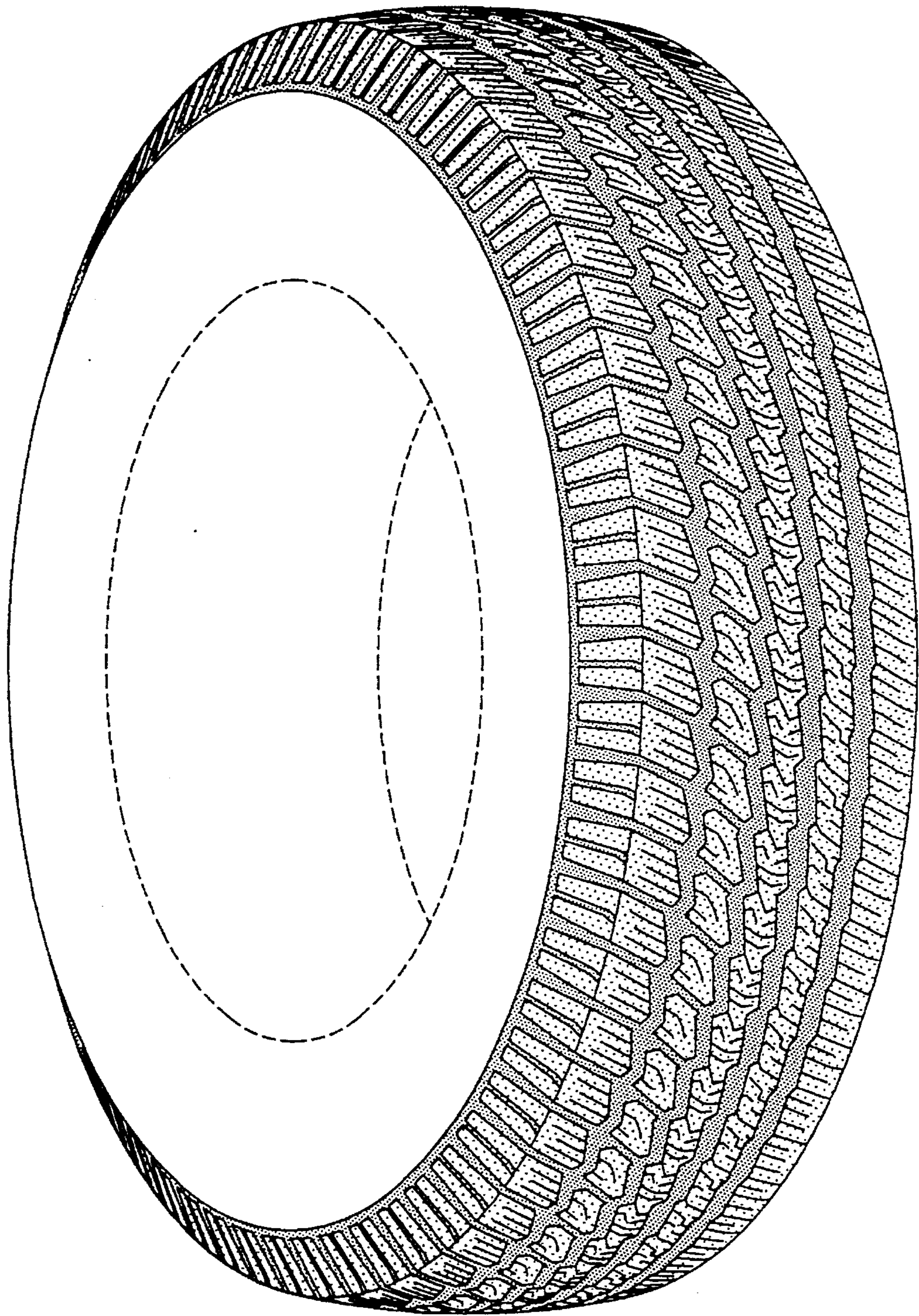


FIG-3

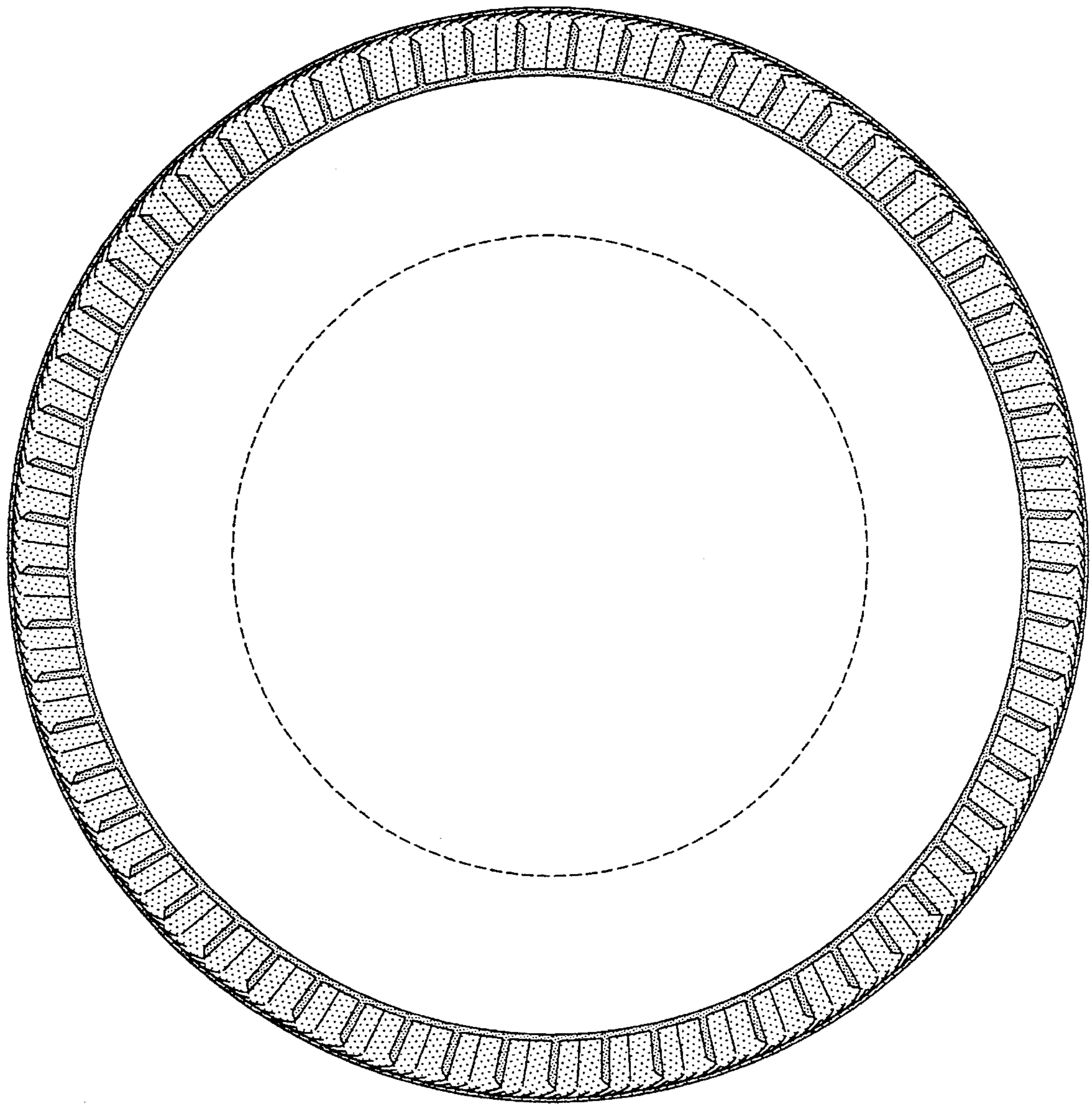


FIG-4

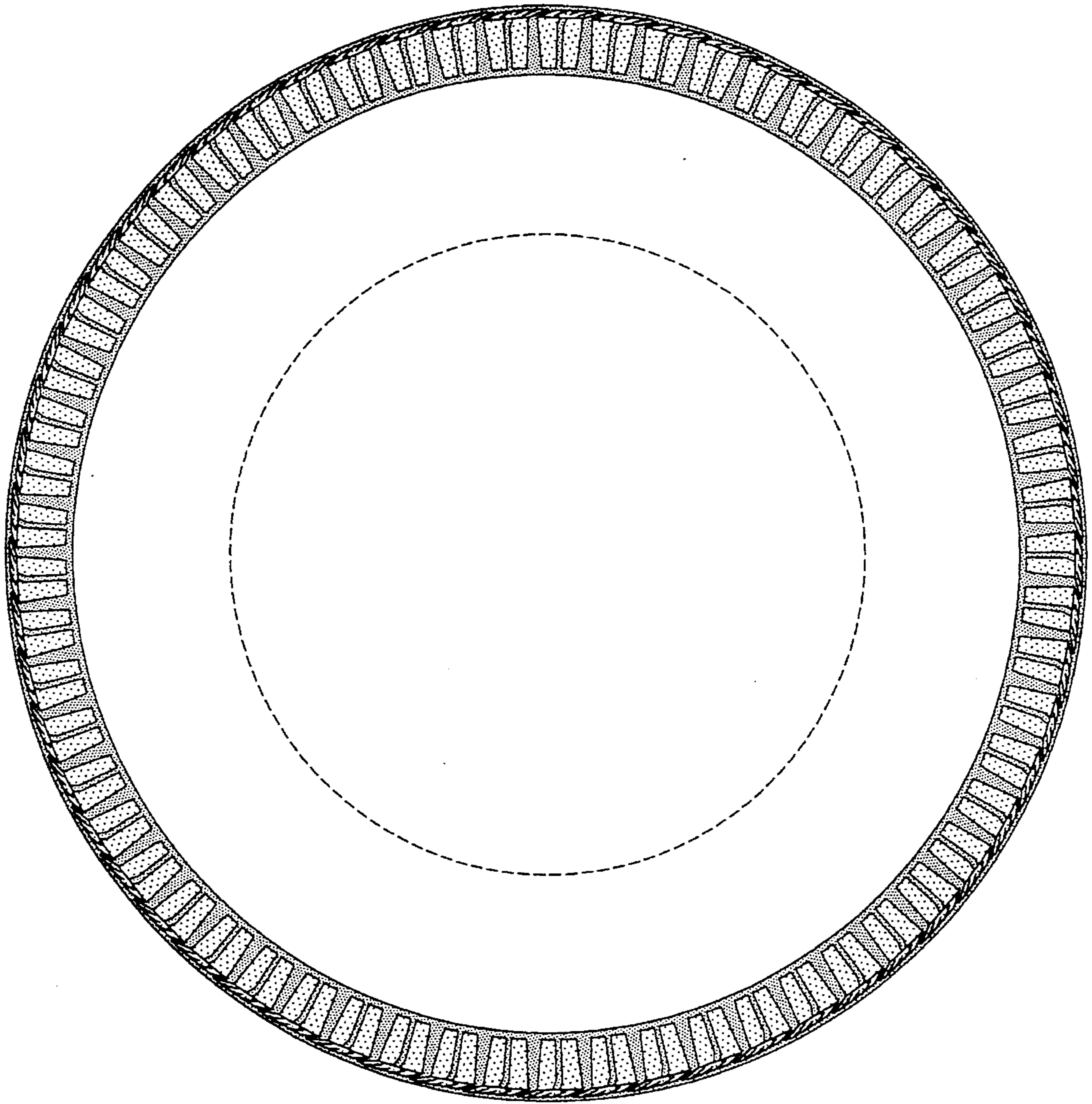


FIG-5

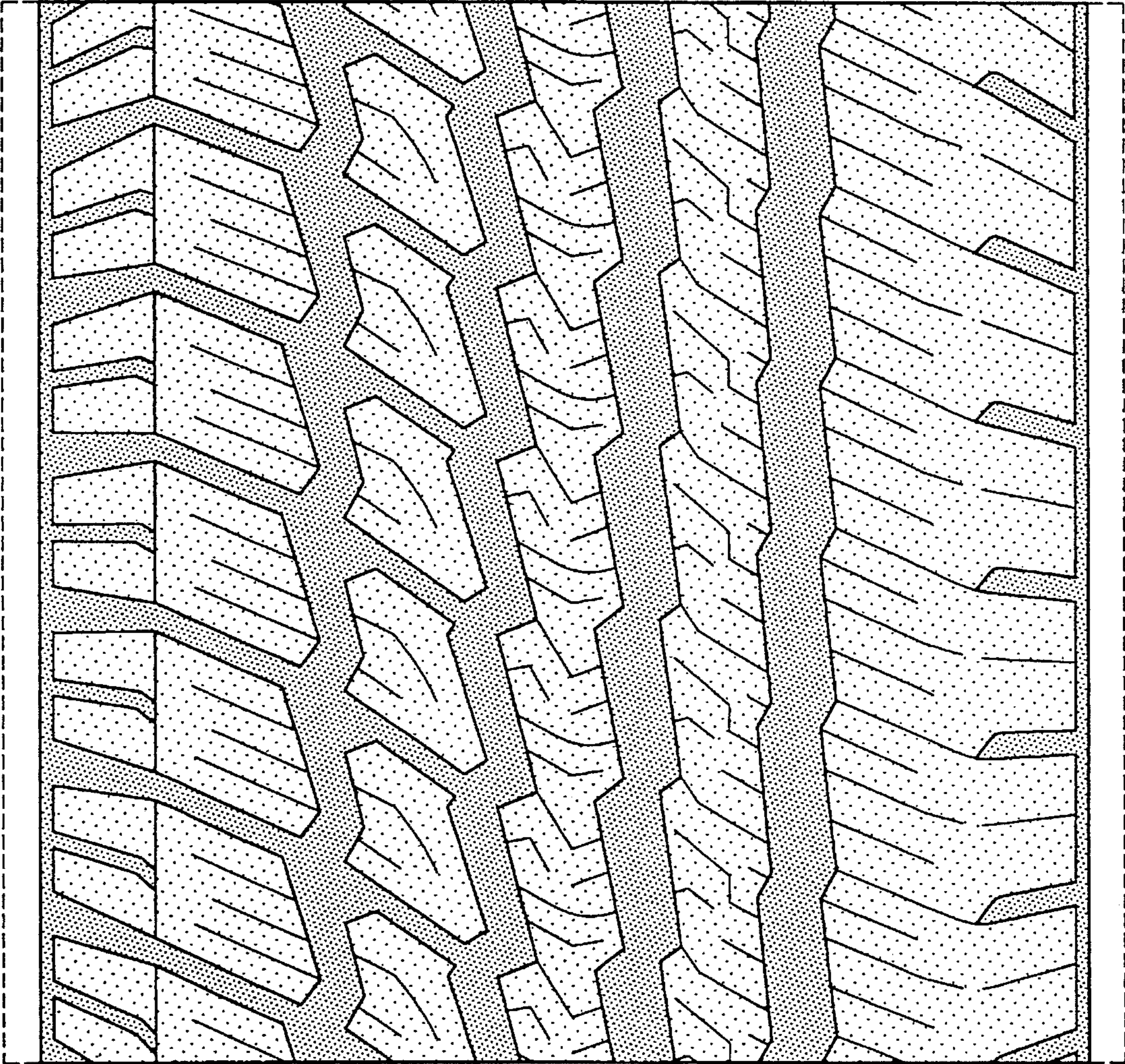


FIG-6