



US00D365795S

# United States Patent [19]

[11] Patent Number: **Des. 365,795**

Scarpitti et al.

[45] Date of Patent: **\*\*Jan. 2, 1996**

## [54] TIRE TREAD

[75] Inventors: **Anthony J. Scarpitti**, Uniontown;  
**Michael A. Kolowski**, Mogadore;  
**Frederick W. Miller**, Akron; **Donald W. Gilliam**, Uniontown; **Keith C. Trares**; **Stephanie C. Brown**, both of Akron, all of Ohio

[73] Assignee: **The Goodyear Tire & Rubber Company**, Akron, Ohio

[\*\*] Term: **14 Years**

[21] Appl. No.: **32,323**

[22] Filed: **Dec. 15, 1994**

[52] U.S. Cl. .... **D12/147**

[58] Field of Search ..... D12/141-143,  
D12/145-148; 152/209 R, 209 A, 209 D

## [56] References Cited

### U.S. PATENT DOCUMENTS

D. 321,158	10/1991	Covert et al. ....	D12/147
D. 325,365	4/1992	Covert et al. ....	D12/147
D. 341,804	11/1993	Lassan .....	D12/147

## OTHER PUBLICATIONS

1994 Tread Design Guide, p. 91, Hallmark Land Rover GTL Tire, Second Row Down from Top & Second Tire in from Right Side of Page.

*Primary Examiner*—James M. Gandy  
*Attorney, Agent, or Firm*—T. P. Lewandowski

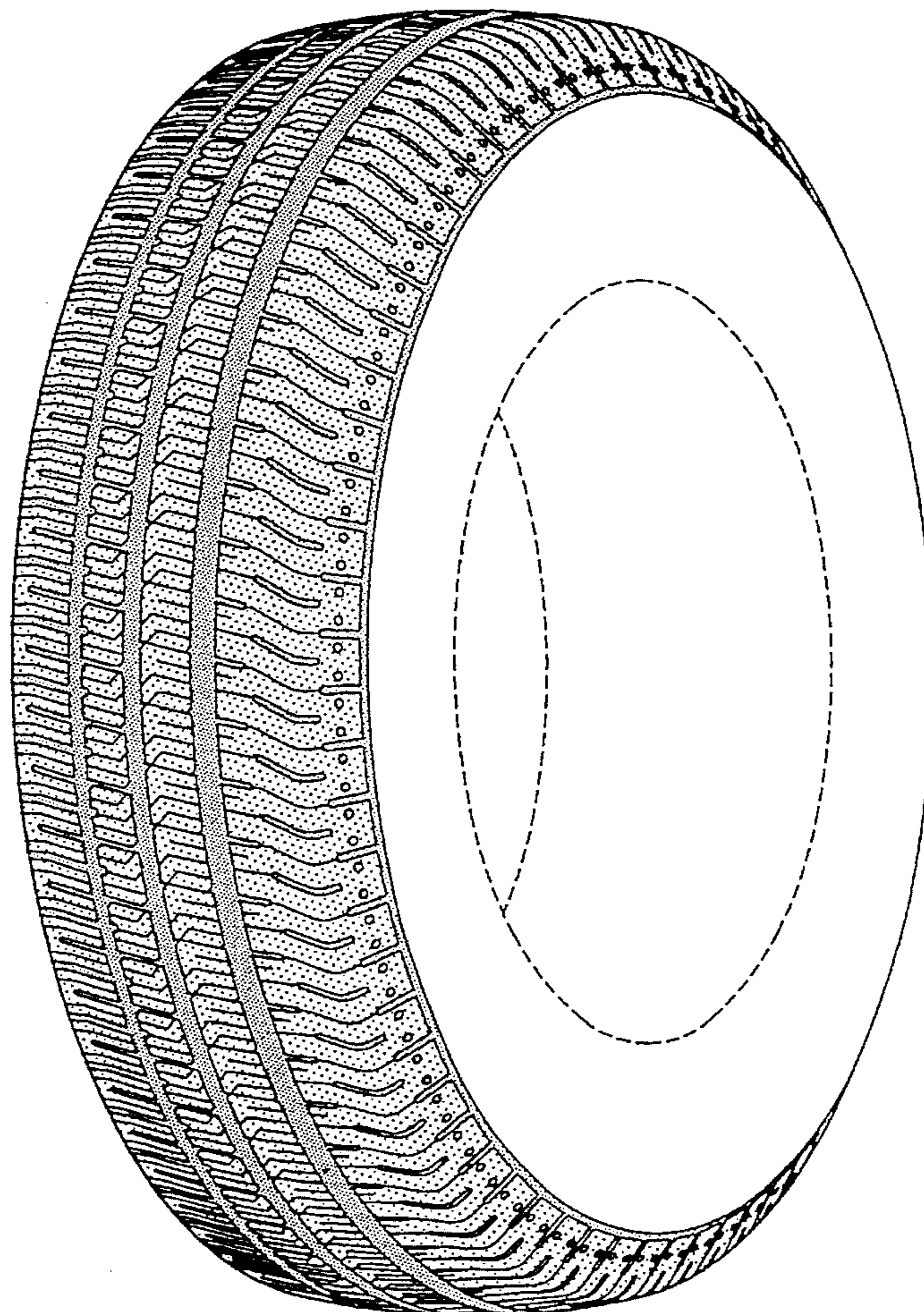
## [57] CLAIM

The ornamental design for a tire tread, as shown and described.

## DESCRIPTION

FIG. 1 is a front elevational view of a tire tread;  
FIG. 2 is a perspective view thereof;  
FIG. 3 is another perspective view thereof;  
FIG. 4 is a side elevational view thereof;  
FIG. 5 is another side elevational view thereof;  
FIG. 6 is an enlarged fragmentary front view thereof.  
The tread pattern is understood to be repeated uniformly throughout the circumference of the tire tread.  
The broken line showing of the tire sidewall in the drawings is for illustrative purposes only and forms no part of the claimed design.

**1 Claim, 6 Drawing Sheets**



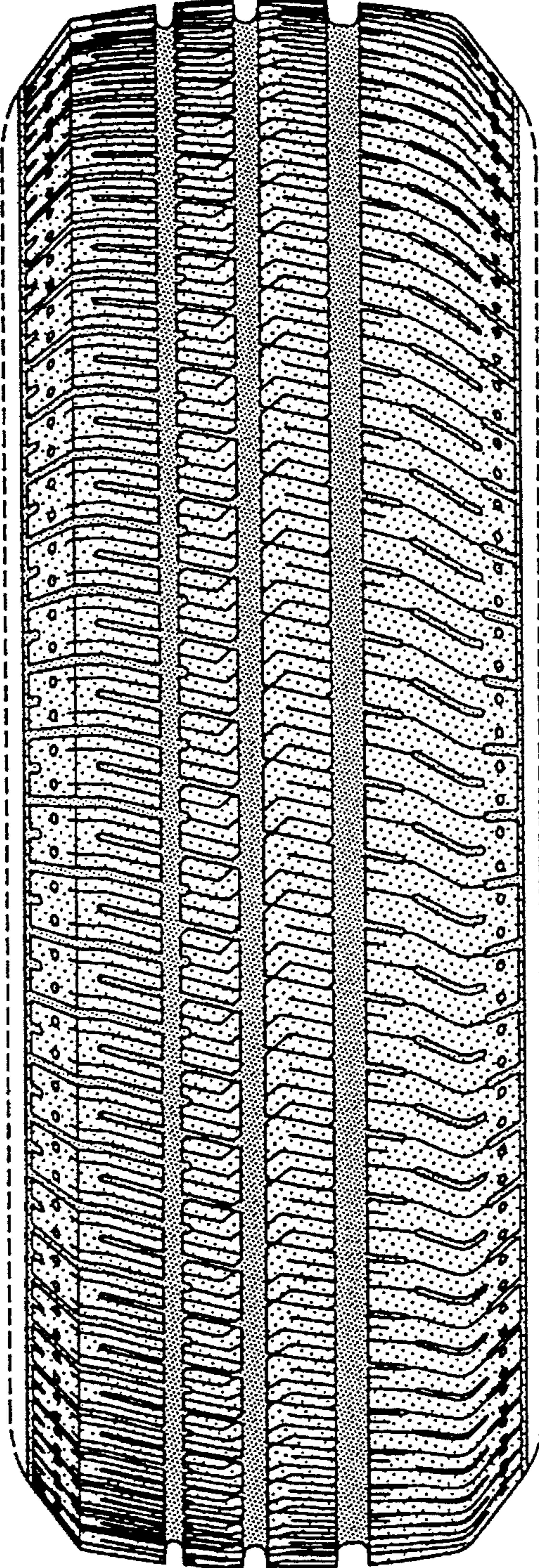


FIG-1

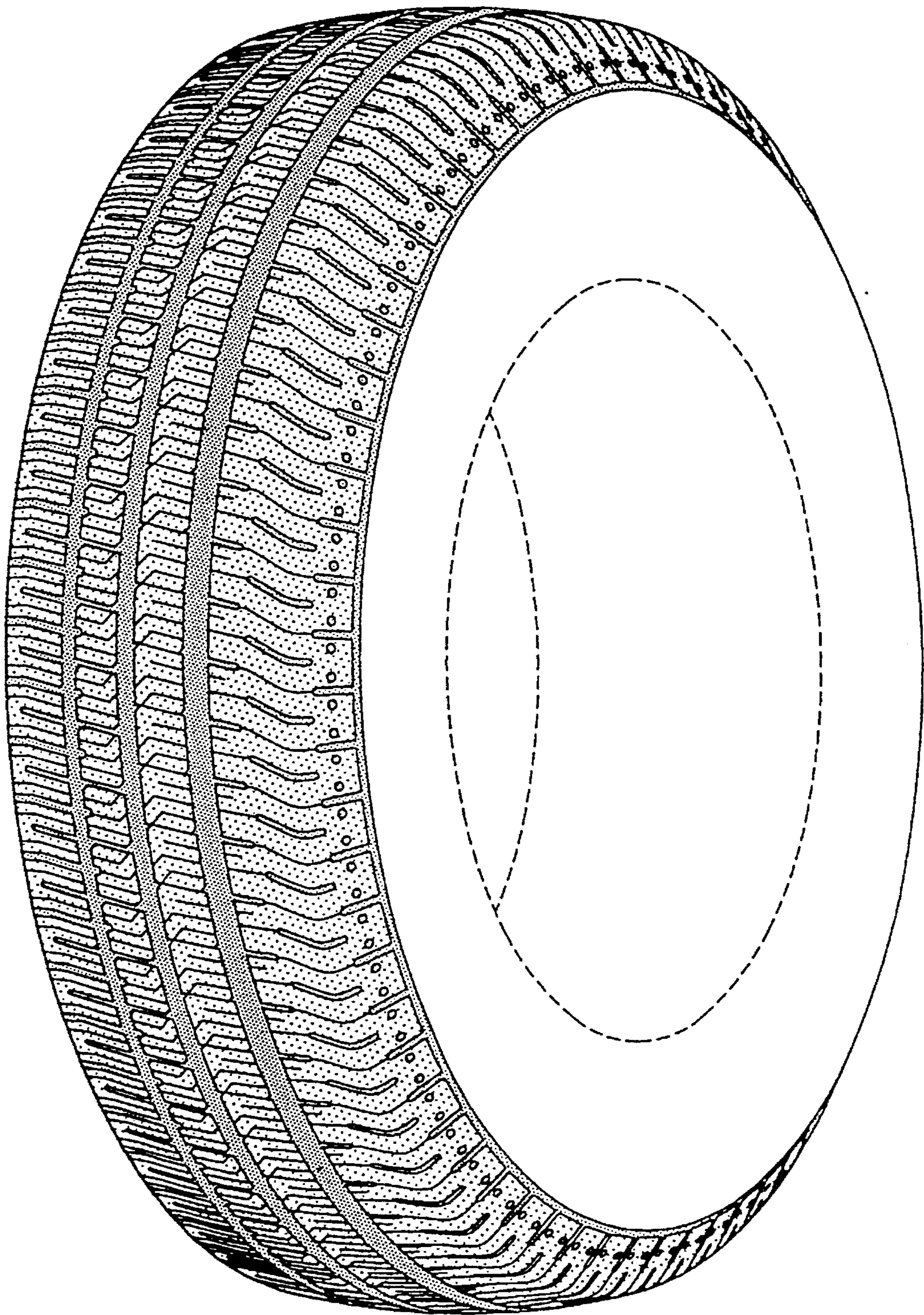


FIG-2

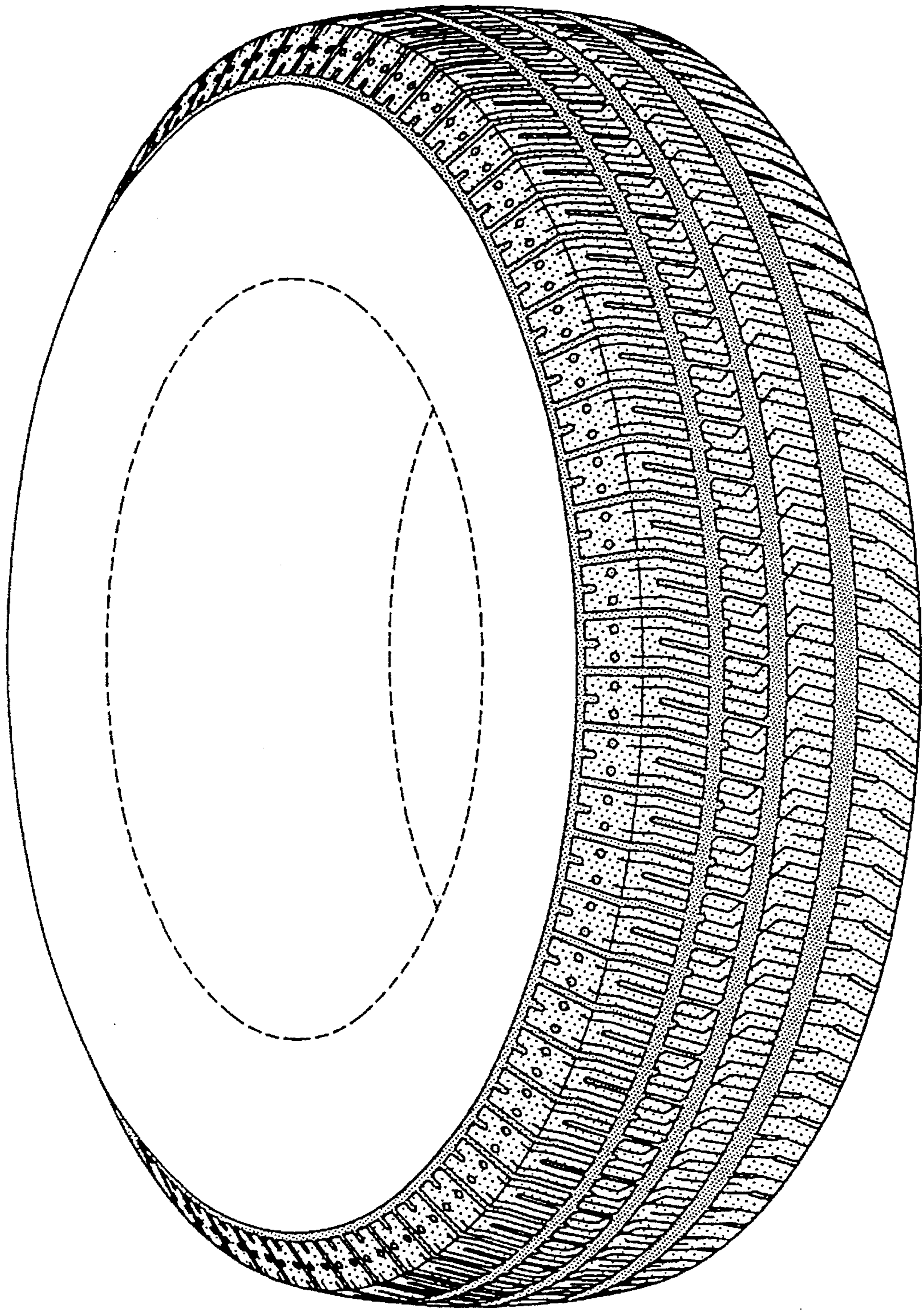


FIG-3

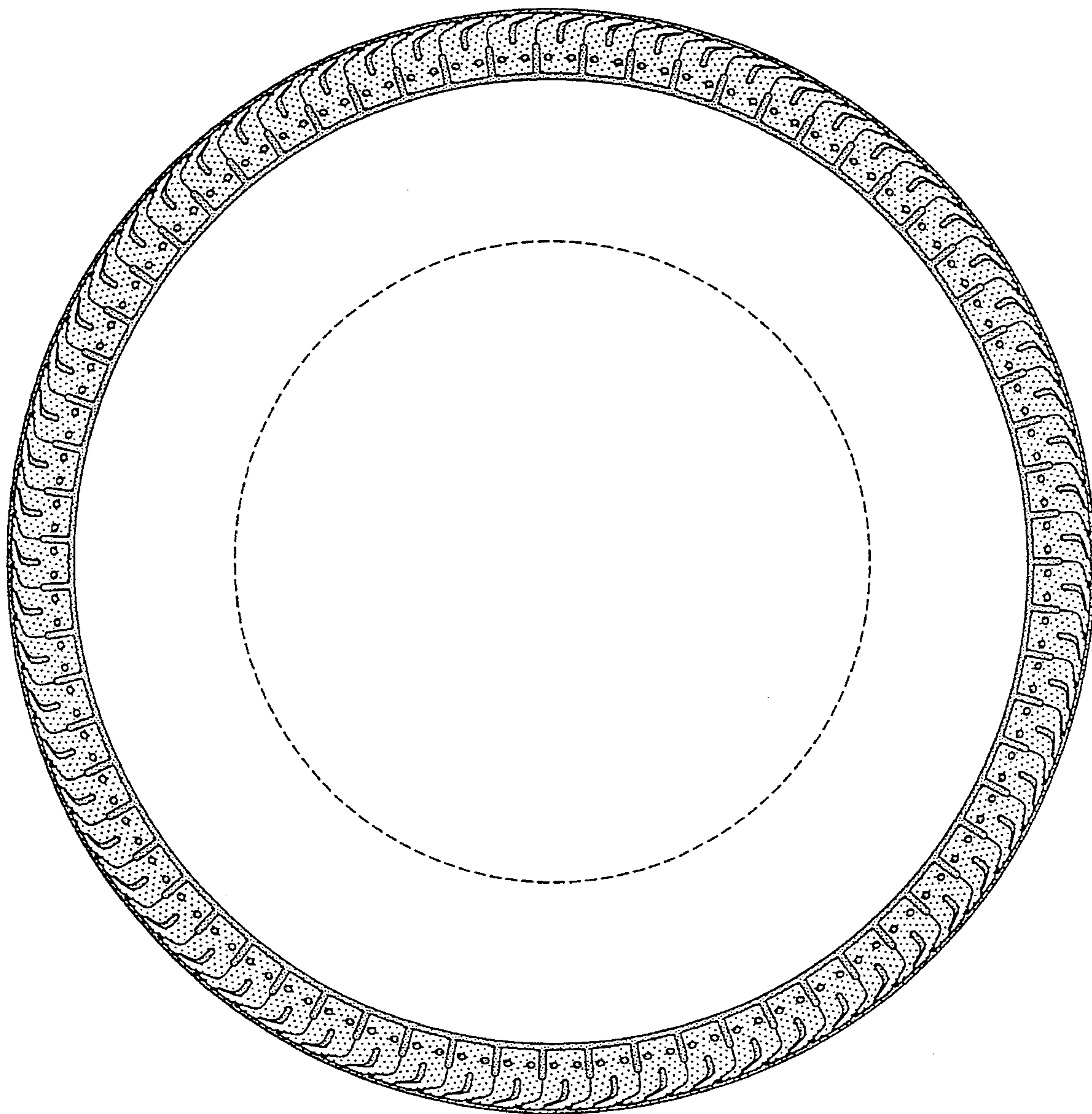


FIG-4

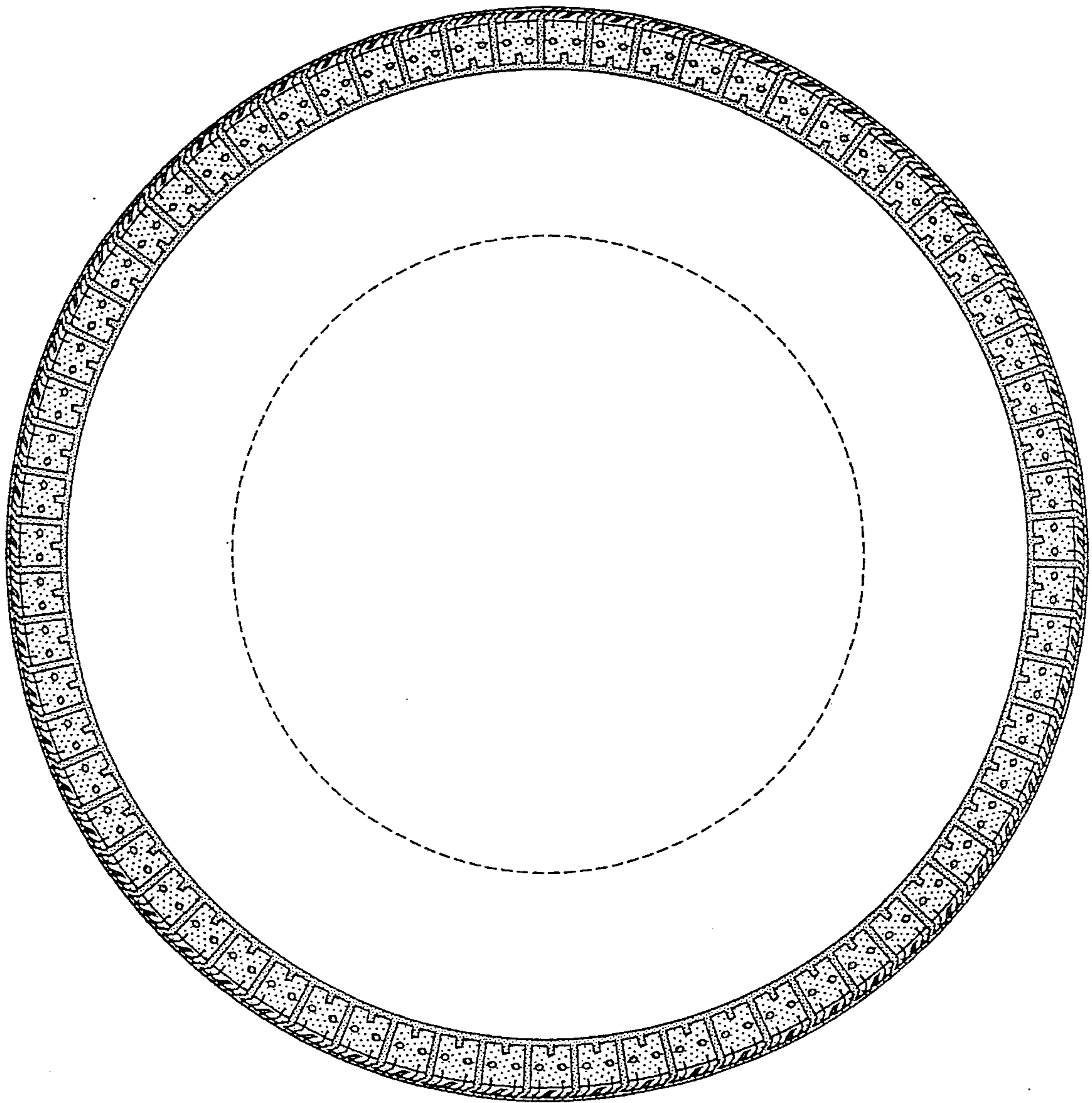


FIG-5

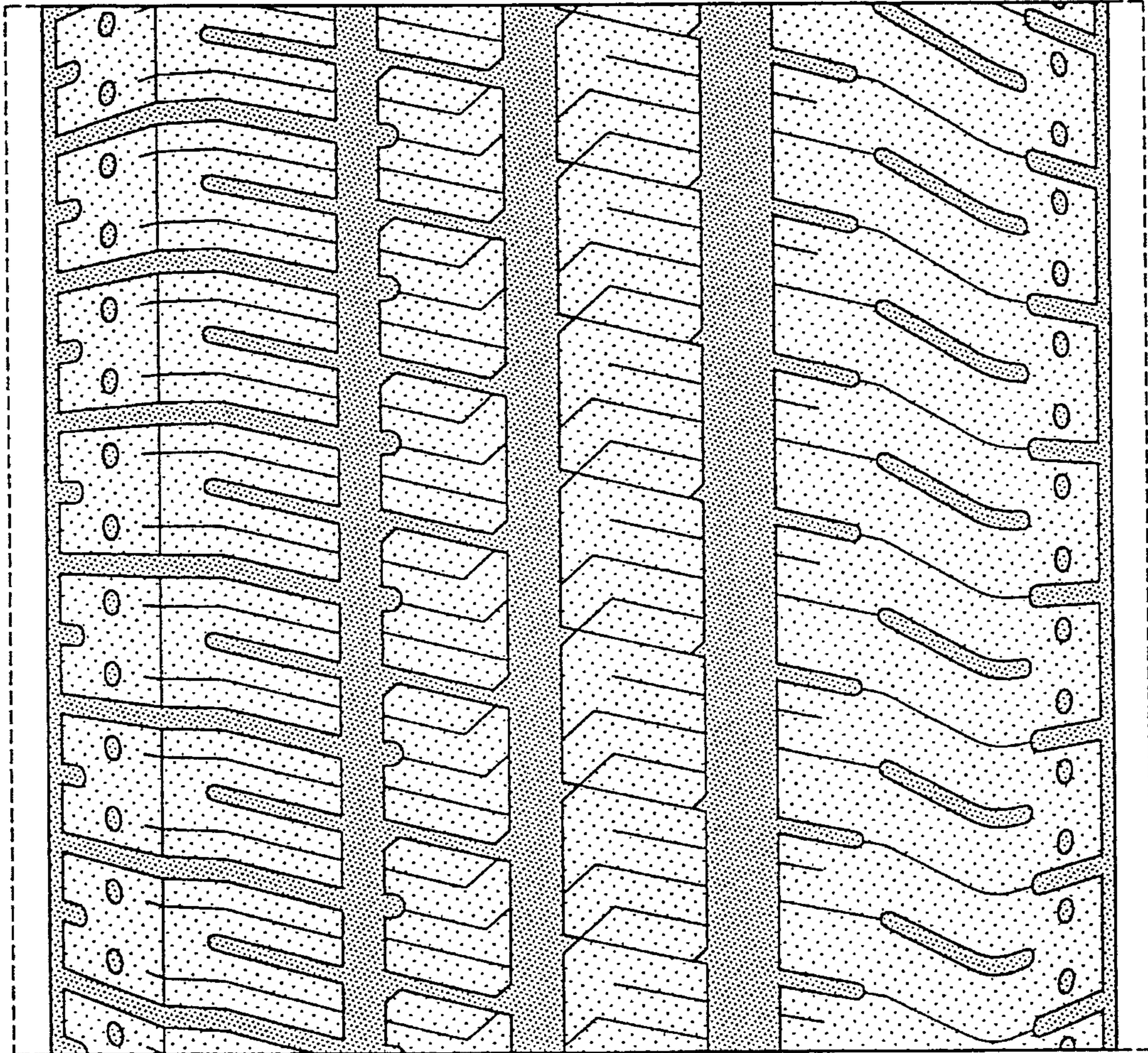


FIG-6